



US00D792953S

(12) **United States Design Patent** (10) **Patent No.:** **US D792,953 S**
Eads (45) **Date of Patent:** **** Jul. 25, 2017**

- (54) **TOILET**
- (71) Applicant: **DELTA FAUCET COMPANY**,
Indianapolis, IN (US)
- (72) Inventor: **Thad James Eads**, North Manchester,
IN (US)
- (73) Assignee: **DELTA FAUCET COMPANY**,
Indianapolis, IN (US)
- (**) Term: **15 Years**
- (21) Appl. No.: **29/548,271**
- (22) Filed: **Dec. 11, 2015**
- (51) **LOC (10) Cl.** **23-02**
- (52) **U.S. Cl.**
USPC **D23/301**
- (58) **Field of Classification Search**
USPC D23/295-301, 303, 309, 313
CPC A47K 11/02; A47K 11/026
See application file for complete search history.

- D521,617 S * 5/2006 Hou D23/301
- D528,194 S * 9/2006 Hou D23/301
- D532,493 S * 11/2006 Bucher D23/301
- D672,019 S * 12/2012 Bucher D23/301
- D688,356 S * 8/2013 Mendoza D23/301
- RE45,460 E * 4/2015 Jiang D23/301
- D751,680 S * 3/2016 McNinch D23/301

* cited by examiner

Primary Examiner — Robert M Spear
Assistant Examiner — John Voytek
(74) *Attorney, Agent, or Firm* — Edgar A. Zarins; Nirav D. Parikh

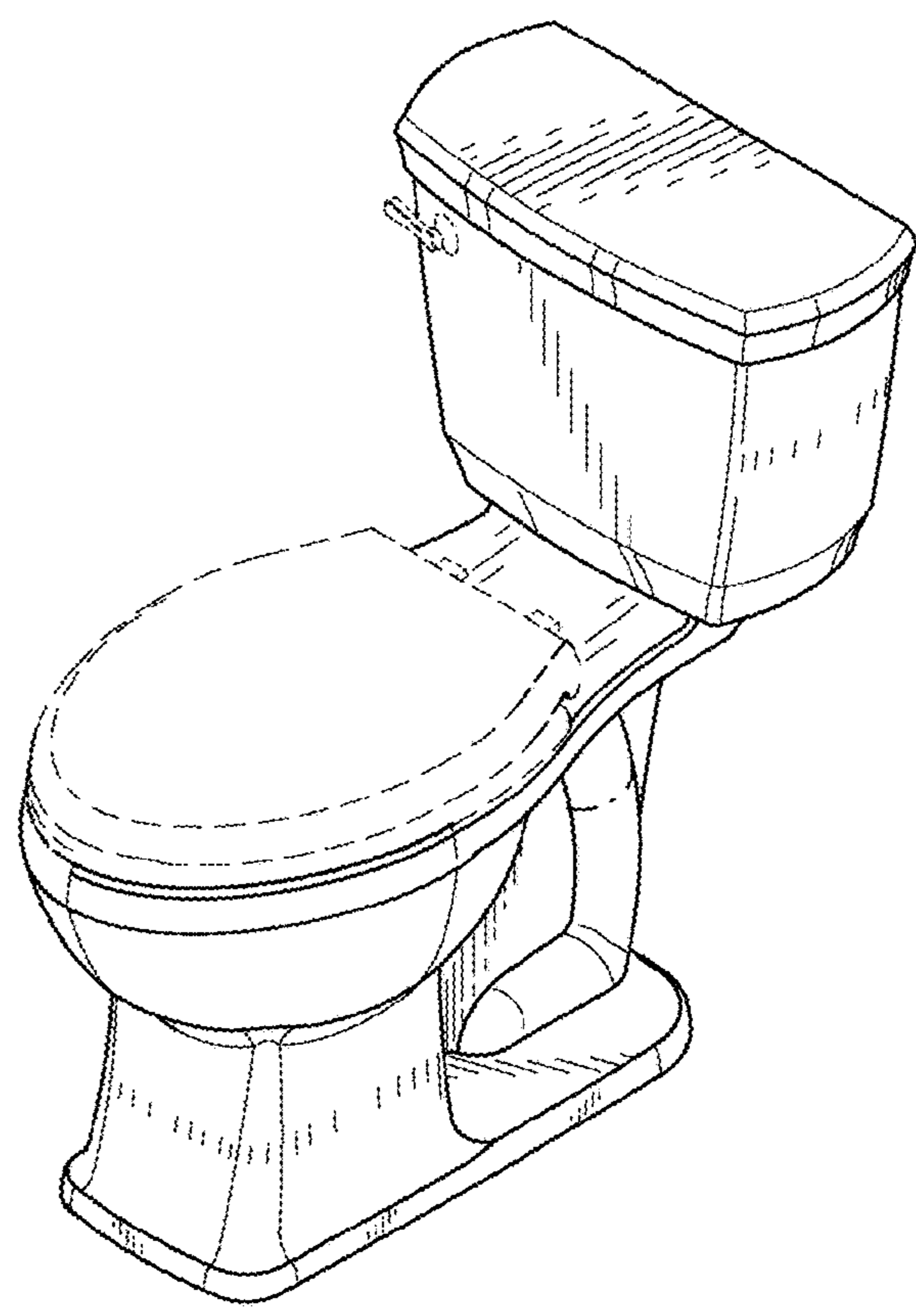
(57) **CLAIM**
The ornamental design for a toilet, as shown and described.

DESCRIPTION

FIG. 1 is a perspective view of a toilet showing my new design;
FIG. 2 is a front elevational view thereof;
FIG. 3 is a rear view thereof;
FIG. 4 is a right side view thereof, the opposite side being a mirror image of the side shown;
FIG. 5 is a top plan view thereof; and,
FIG. 6 is a bottom view thereof.
In the drawings, the broken lines depict environmental subject matter only and form no part of the claimed design.

1 Claim, 2 Drawing Sheets

- (56) **References Cited**
U.S. PATENT DOCUMENTS
D514,208 S * 1/2006 Gordon D23/301
D515,186 S * 2/2006 Lanius D23/301



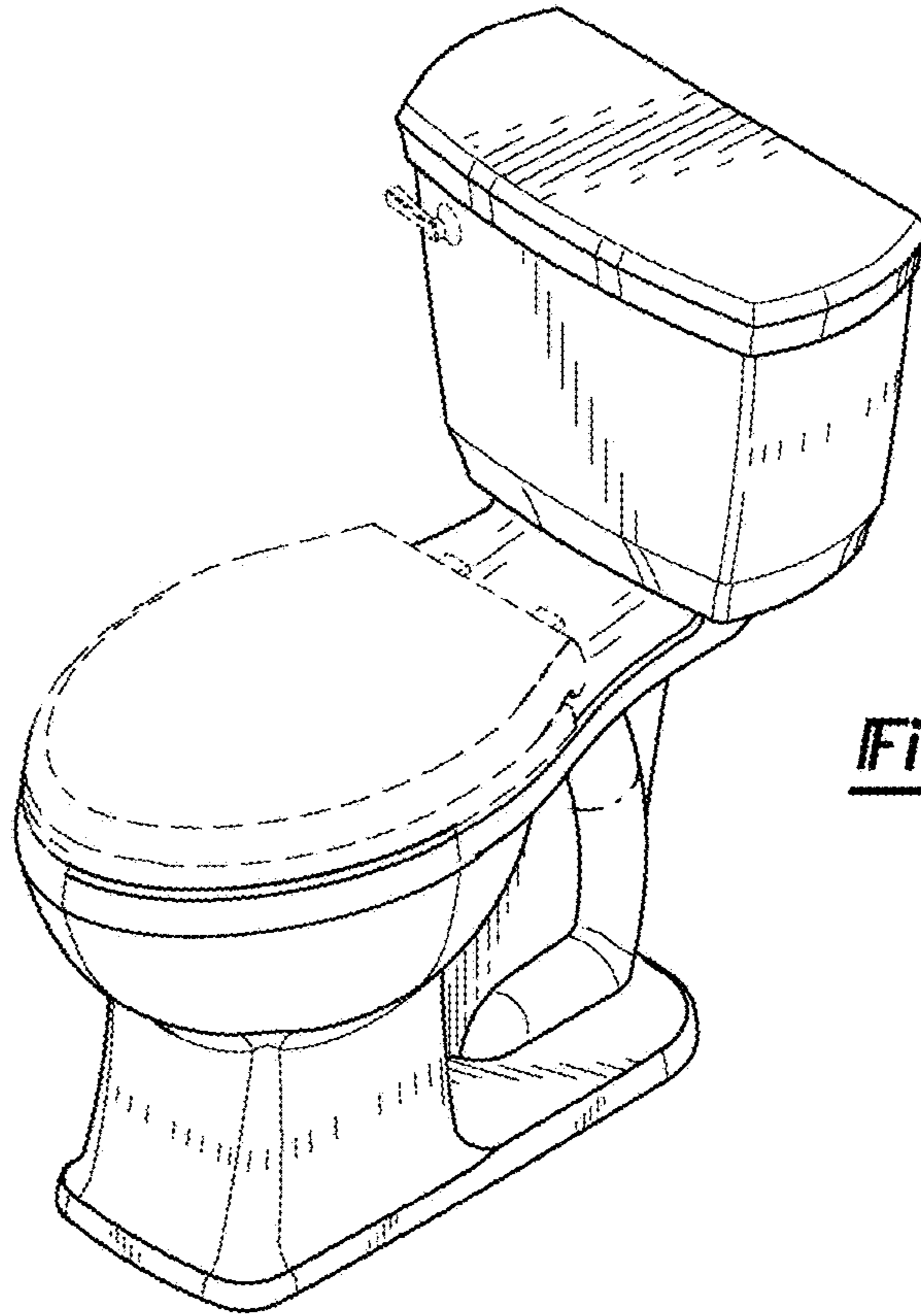


Fig-1

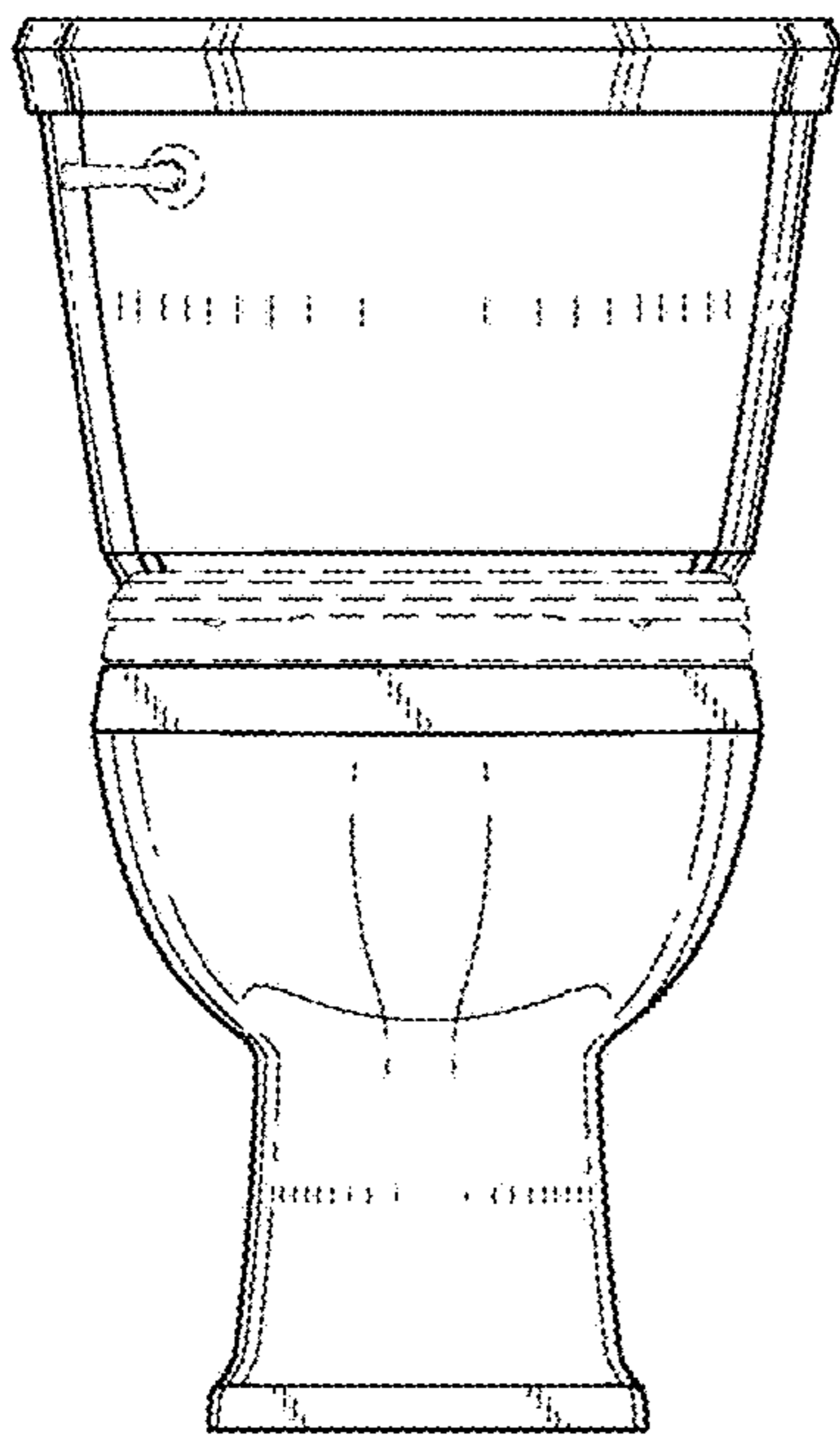


Fig-2

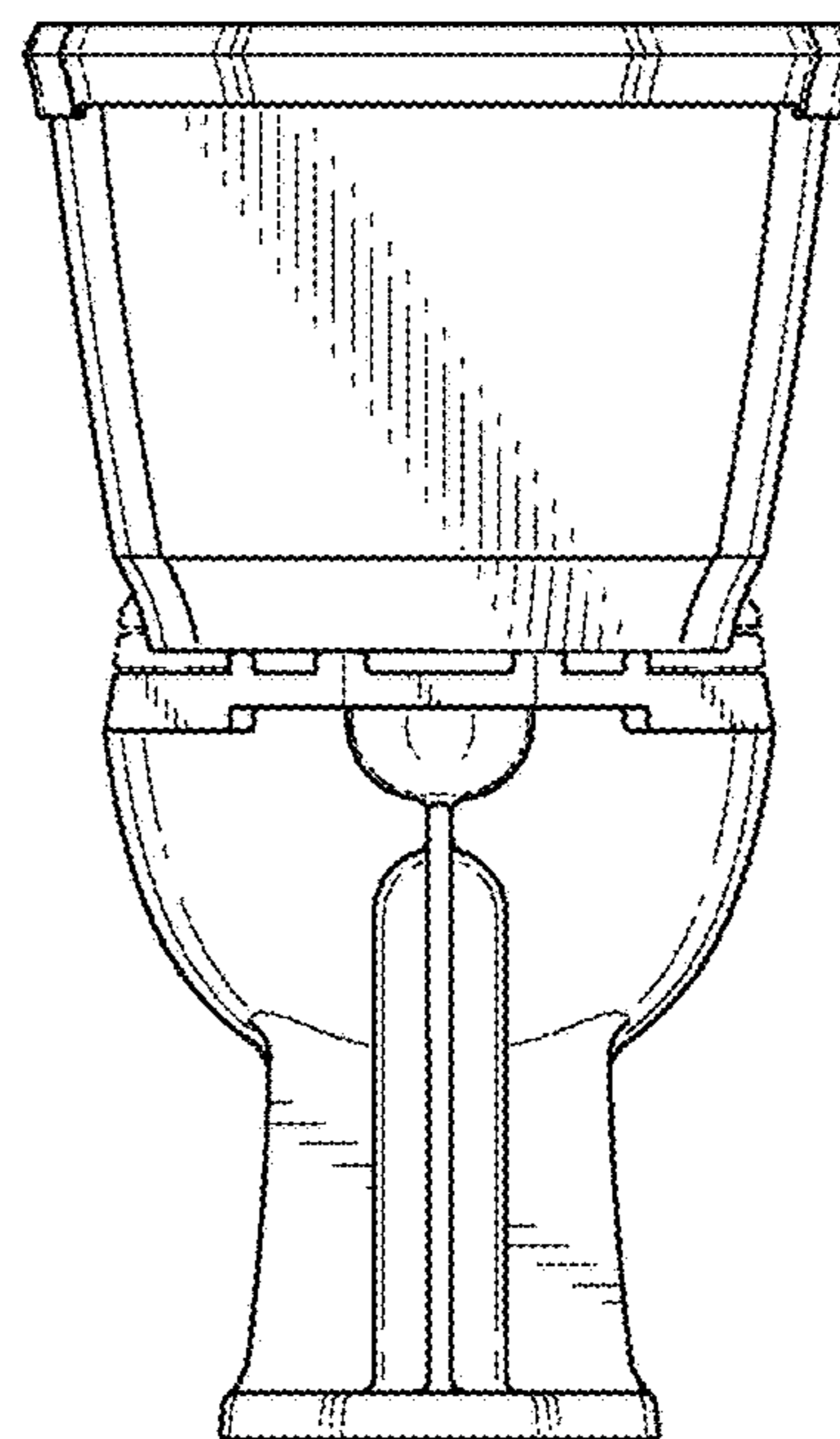


Fig-3

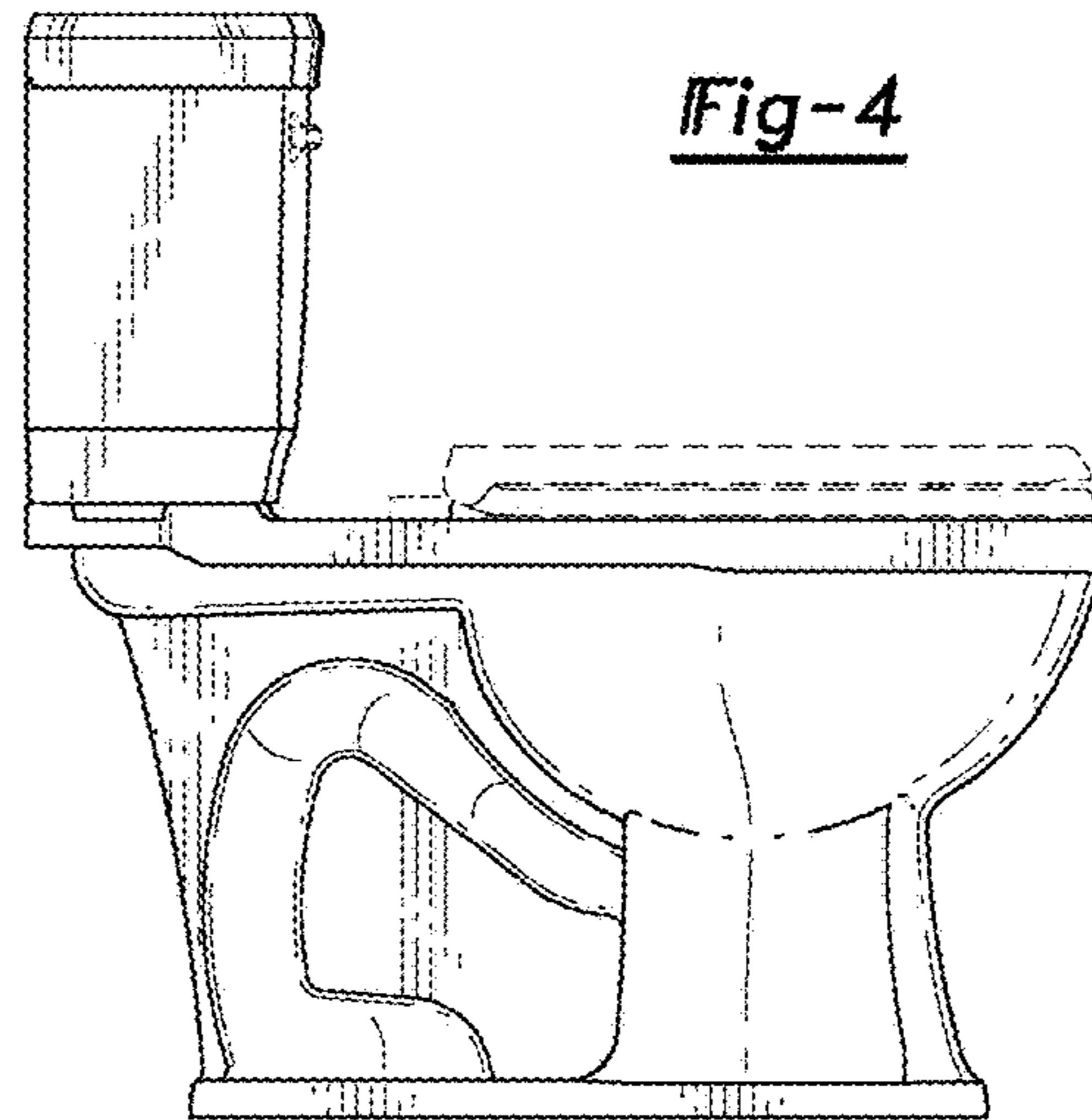


Fig-4

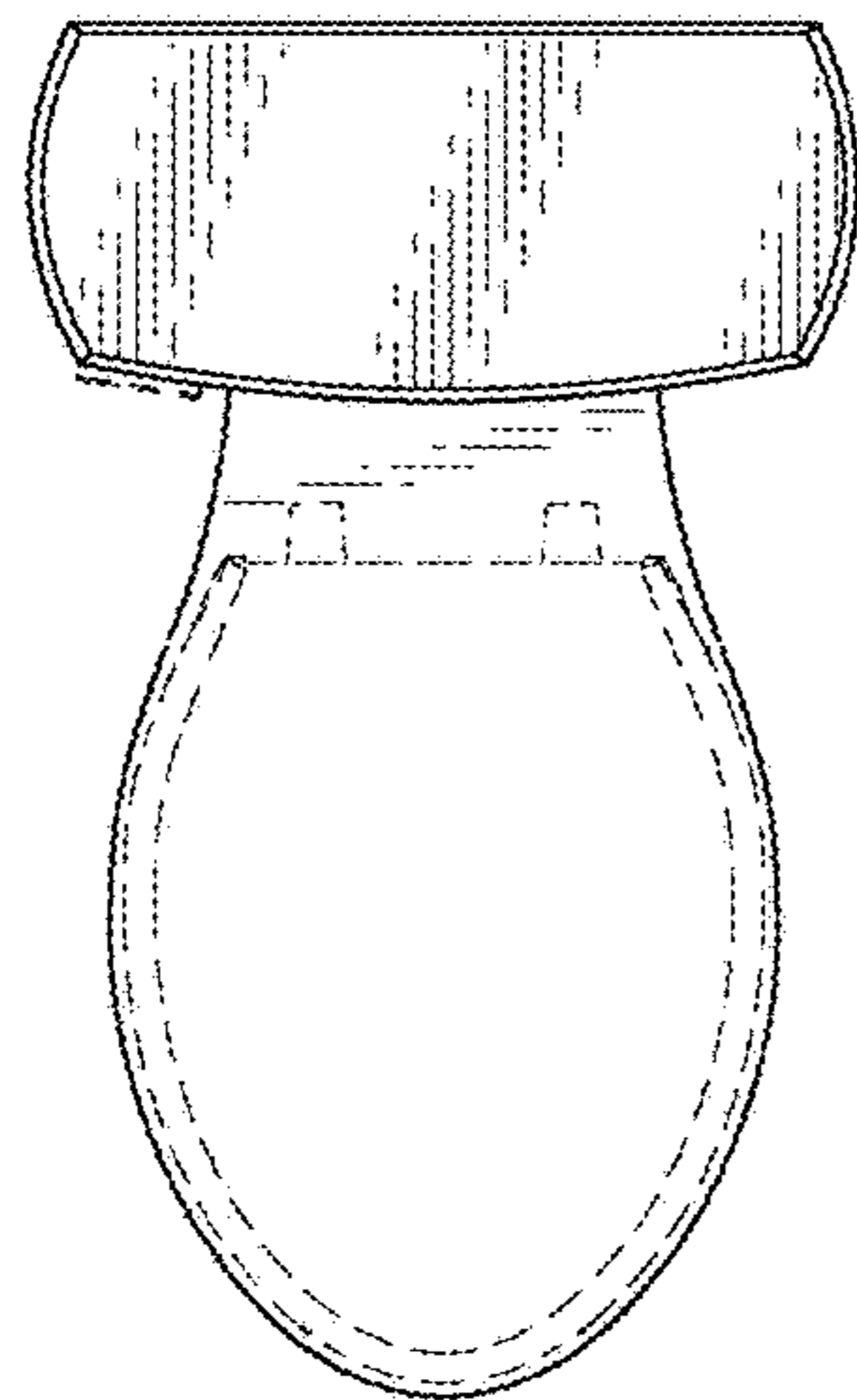


Fig-5

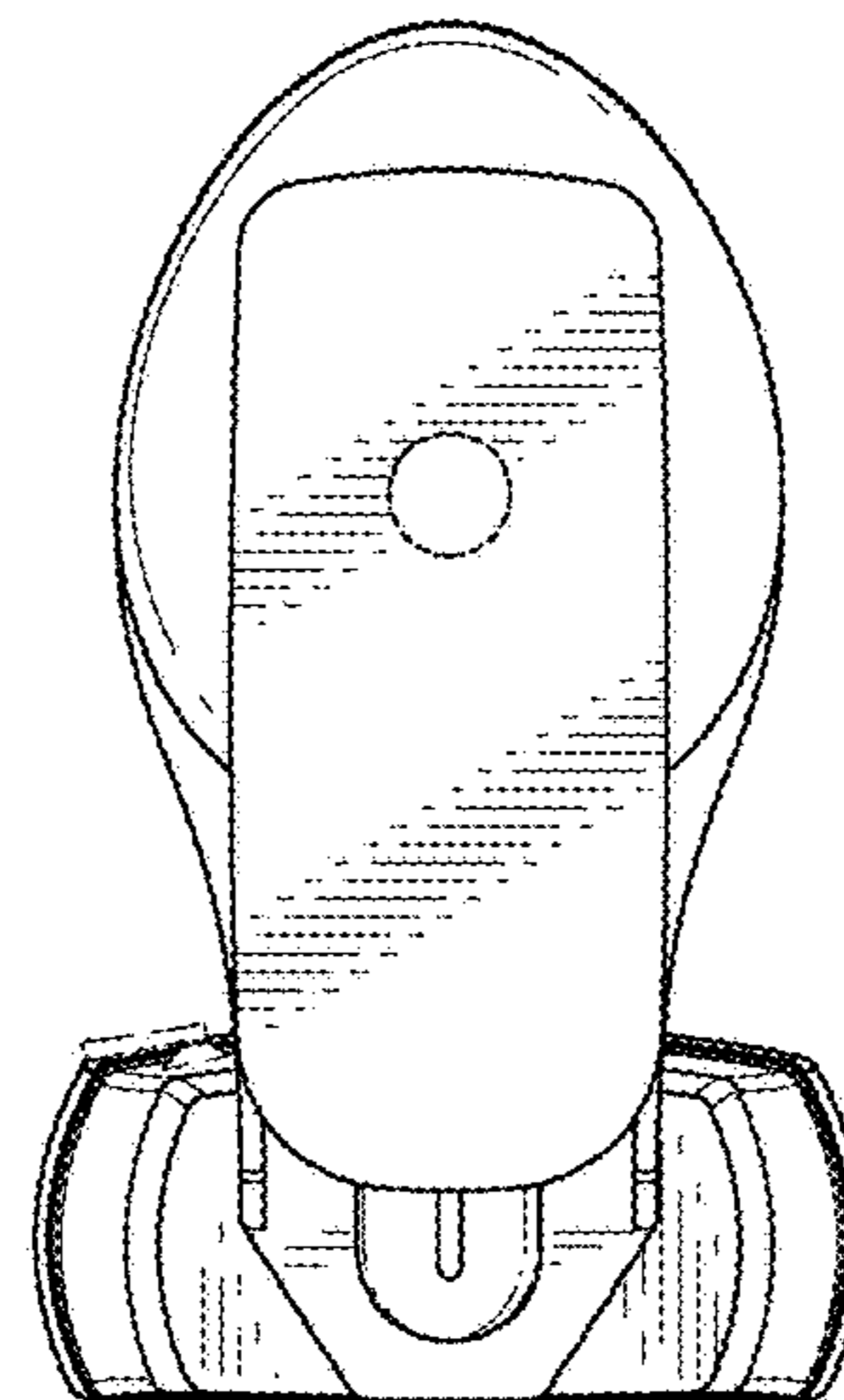


Fig-6