



US00D792951S

(12) **United States Design Patent**  
**Fritz**

(10) **Patent No.:** **US D792,951 S**

(45) **Date of Patent:** **\*\* Jul. 25, 2017**

(54) **FAUCET**

(71) Applicant: **DELTA FAUCET COMPANY,**  
Indianapolis, IN (US)

(72) Inventor: **Seth Fritz,** Carmel, IN (US)

(73) Assignee: **DELTA FAUCET COMPANY,**  
Indianapolis, IN (US)

(\*\*) Term: **15 Years**

(21) Appl. No.: **29/555,504**

(22) Filed: **Feb. 23, 2016**

(51) **LOC (10) Cl.** ..... **23-01**

(52) **U.S. Cl.**  
USPC ..... **D23/242**

(58) **Field of Classification Search**  
USPC ..... D23/238-243, 249-250, 252, 254-255,  
D23/257  
CPC . E03C 1/00; E03C 1/0404; E03C 1/02; E03C  
1/021; E03C 1/0401; E03C 1/04; E03C  
1/0402  
See application file for complete search history.

(56) **References Cited**

**U.S. PATENT DOCUMENTS**

D518,558 S \* 4/2006 Soriano ..... D23/255  
D518,880 S \* 4/2006 Singtoroj ..... D23/255

D581,022 S \* 11/2008 Gilbert ..... D23/250  
D694,369 S \* 11/2013 Mendoza ..... D23/242  
D724,184 S \* 3/2015 Cahill ..... D23/255  
D755,932 S \* 5/2016 Fritz ..... D23/242

\* cited by examiner

*Primary Examiner* — Robert Delehanty

(74) *Attorney, Agent, or Firm* — Edgar A. Zarins; Nirav  
D. Parikh

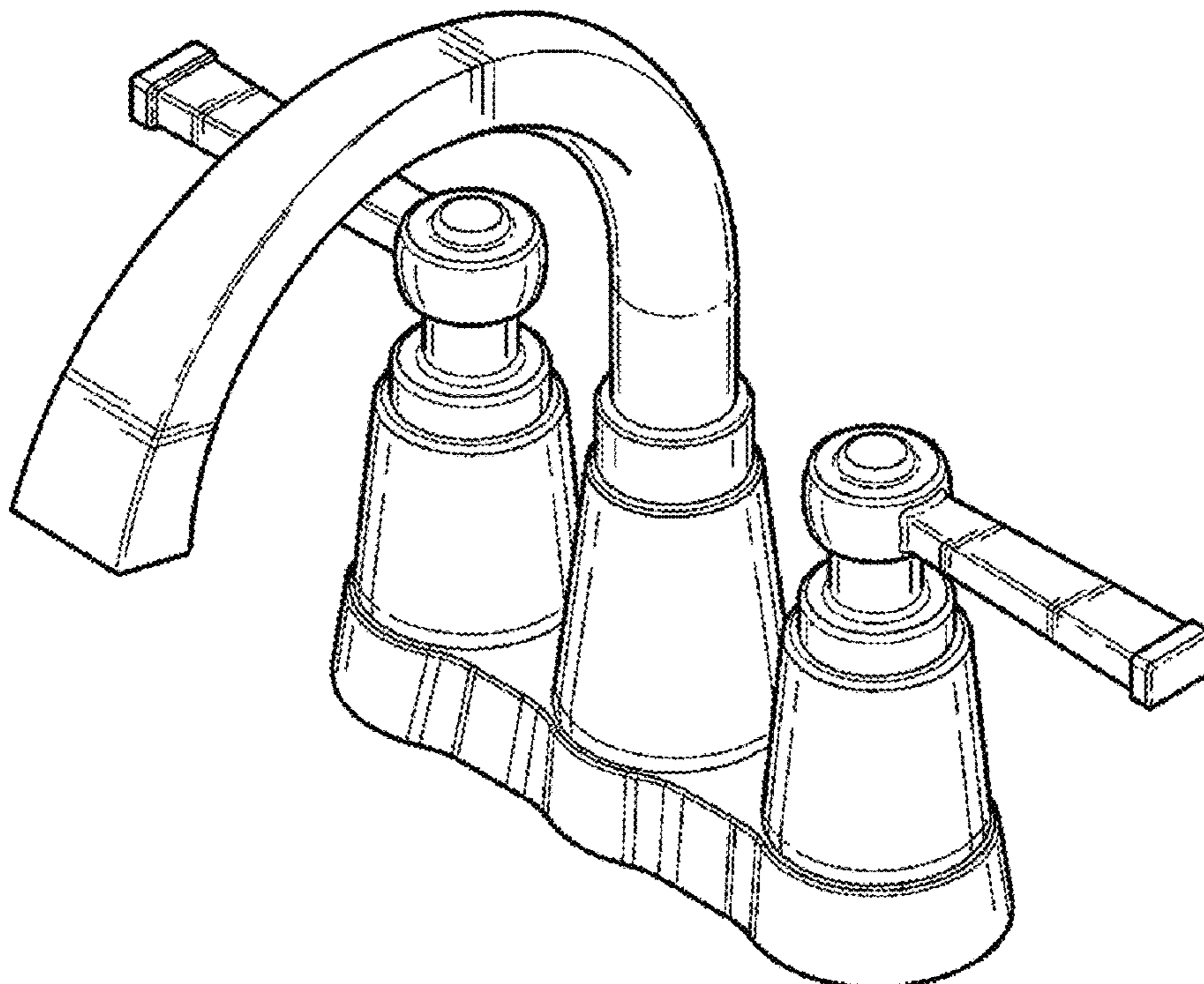
(57) **CLAIM**

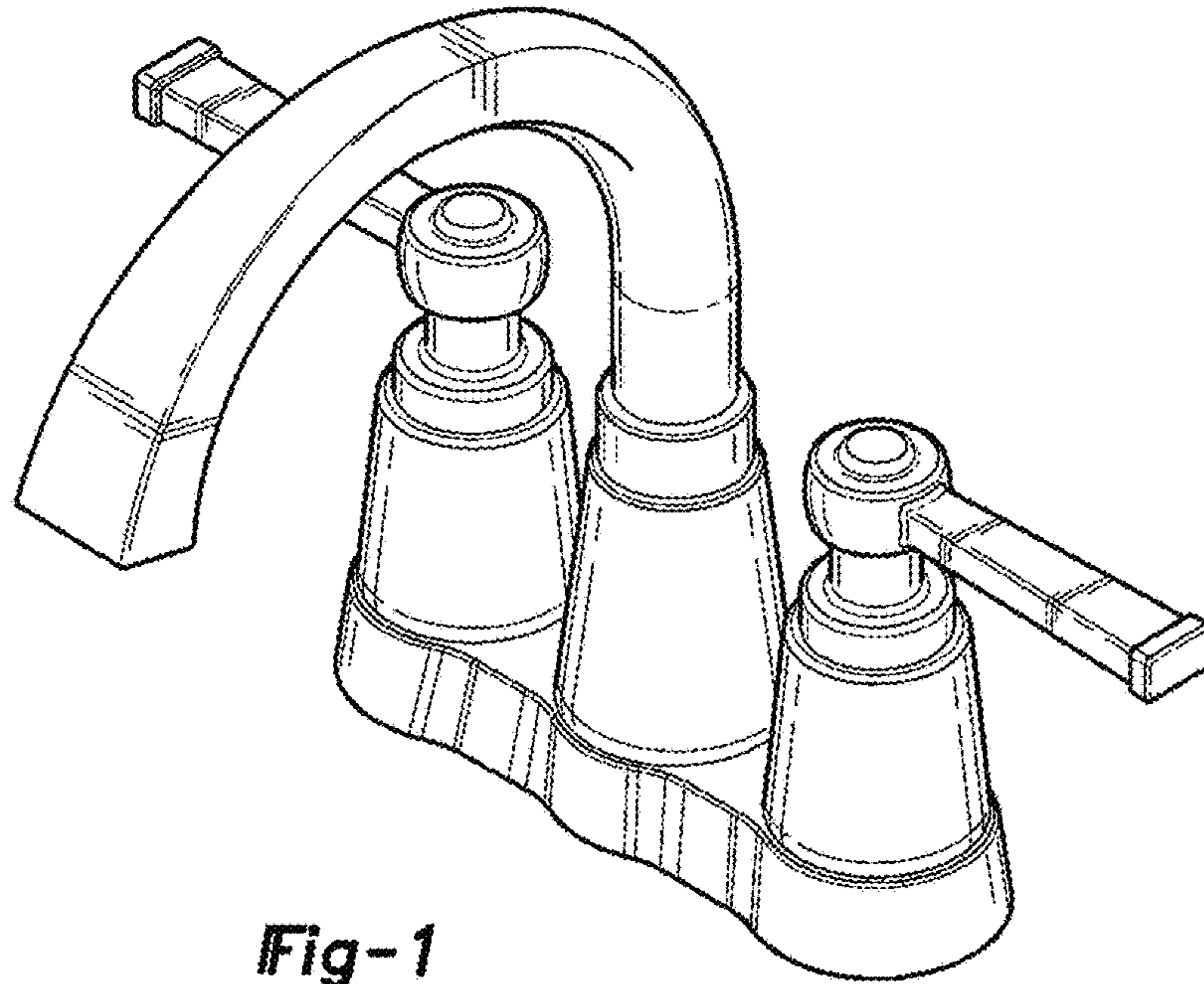
The ornamental design for a faucet, as shown and described.

**DESCRIPTION**

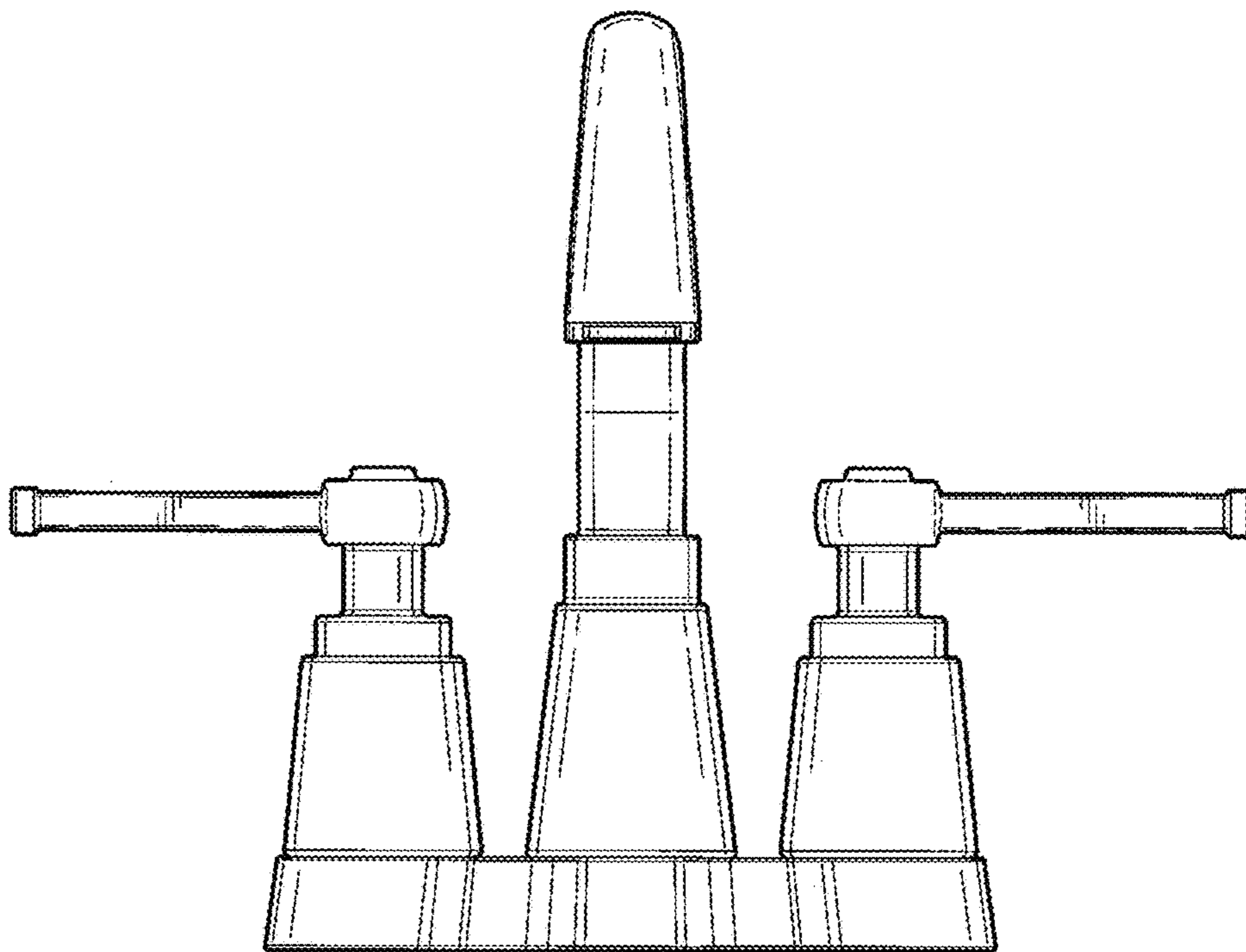
FIG. 1 is a perspective view of a faucet showing my new design;  
FIG. 2 is a front elevational view thereof;  
FIG. 3 is a right side view thereof, the opposite side being a mirror image of the side shown;  
FIG. 4 is a rear view thereof;  
FIG. 5 is a top plan view thereof; and,  
FIG. 6 is a bottom view thereof.  
The broken lines shown in FIG. 6 of the drawings are included for the purpose of illustrating a portion of the faucet that form no part of the claimed design.

**1 Claim, 3 Drawing Sheets**

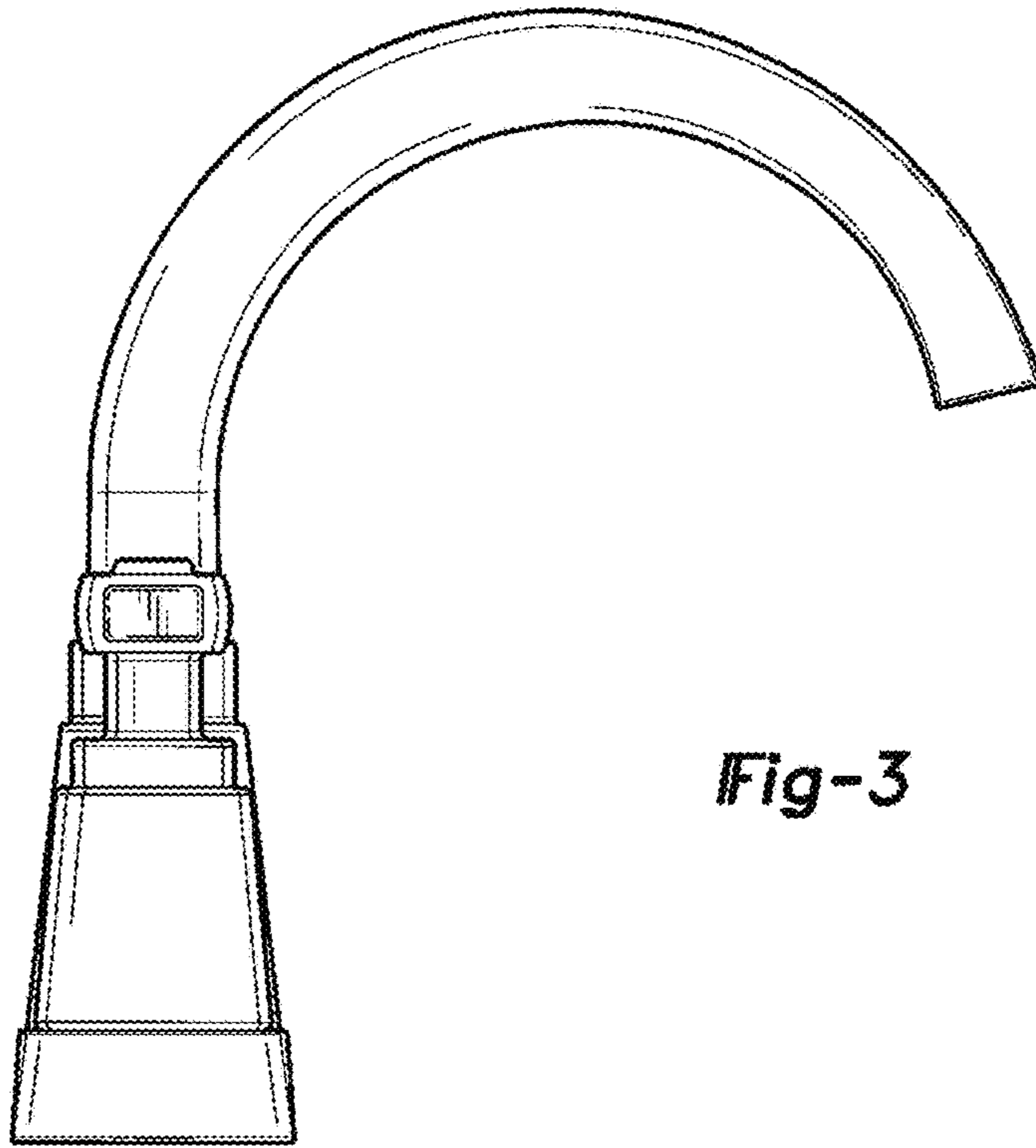




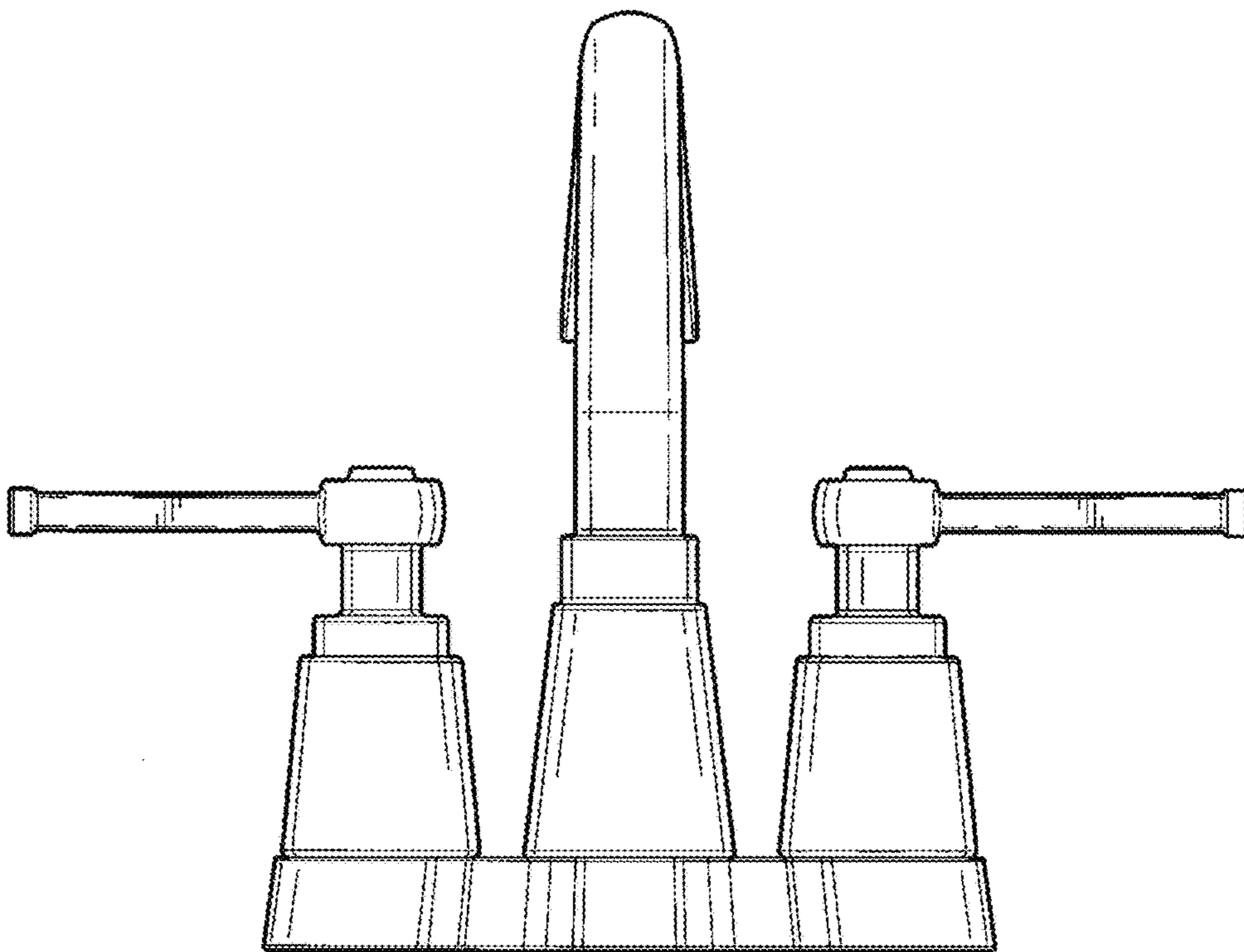
**Fig-1**



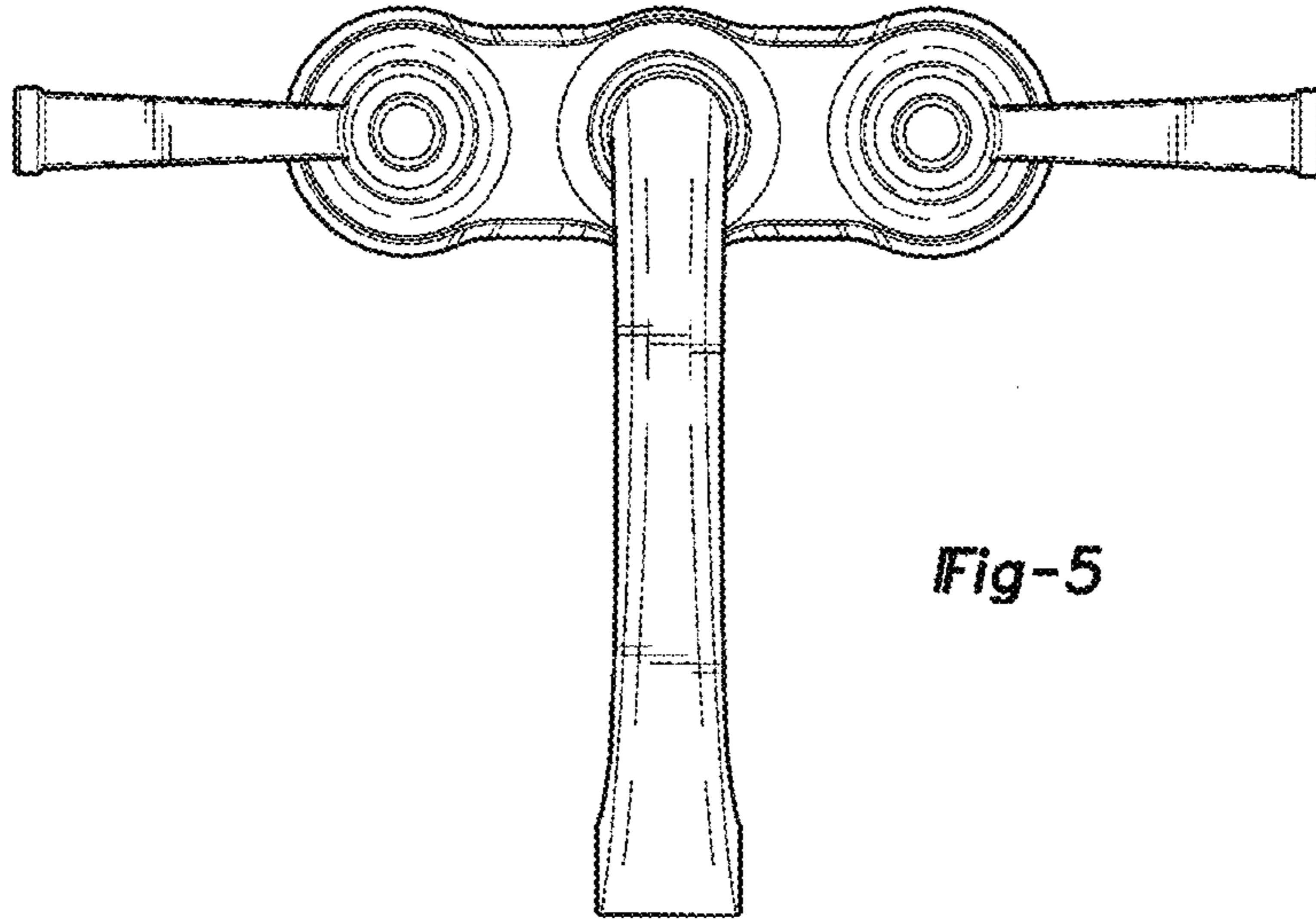
**Fig-2**



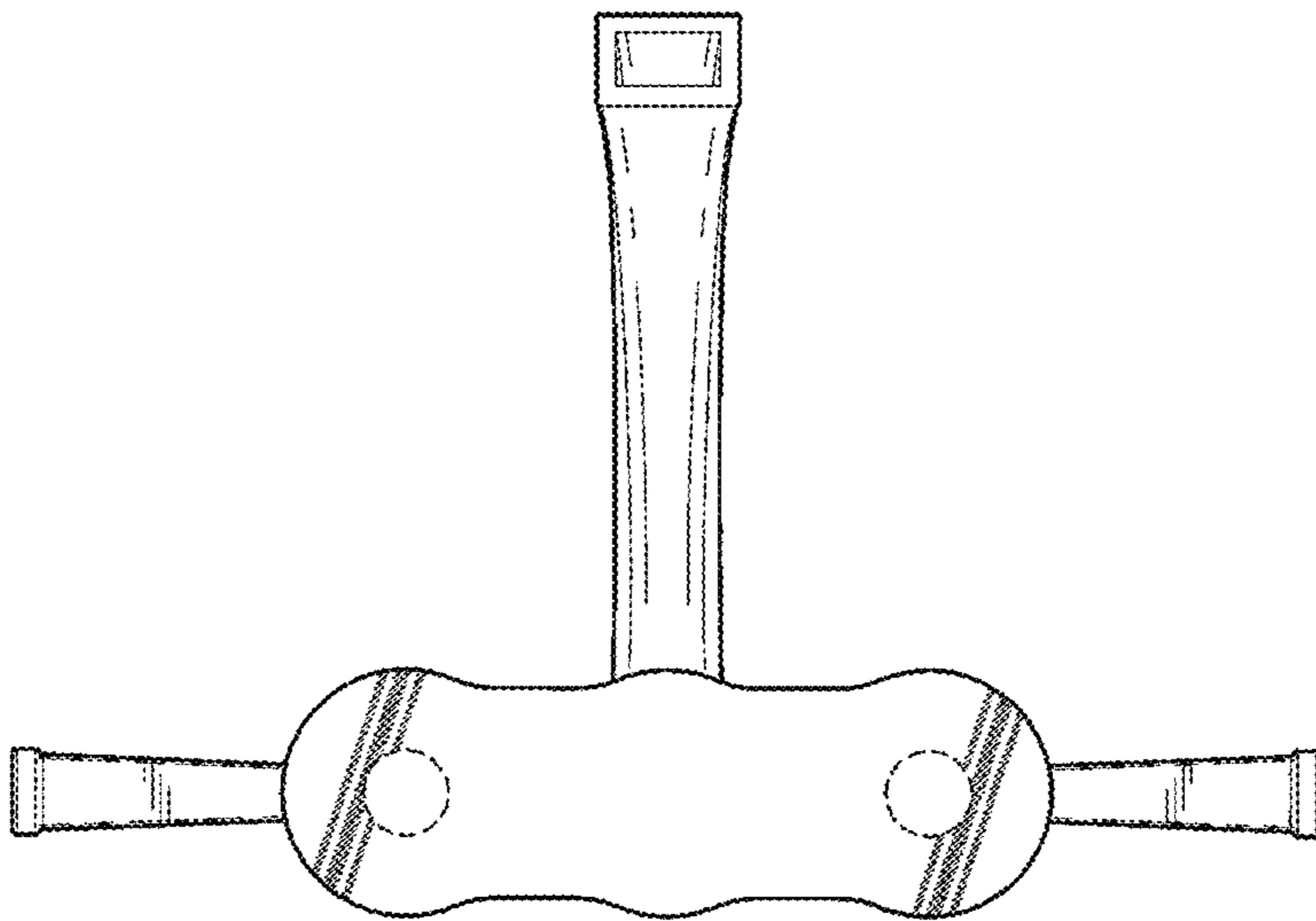
*Fig-3*



*Fig-4*



*Fig-5*



*Fig-6*