



US00D792950S

(12) **United States Design Patent**
Fritz

(10) **Patent No.:** **US D792,950 S**

(45) **Date of Patent:** **** Jul. 25, 2017**

(54) **FAUCET**

(71) Applicant: **DELTA FAUCET COMPANY,**
Indianapolis, IN (US)

(72) Inventor: **Seth Fritz,** Carmel, IN (US)

(73) Assignee: **DELTA FAUCET COMPANY,**
Indianapolis, IN (US)

(**) Term: **15 Years**

(21) Appl. No.: **29/554,951**

(22) Filed: **Feb. 17, 2016**

(51) **LOC (10) Cl.** **23-01**

(52) **U.S. Cl.**
USPC **D23/242**

(58) **Field of Classification Search**
USPC D23/238–243, 249–250, 252, 254–255,
D23/257

CPC . E03C 1/00; E03C 1/0404; E03C 1/02; E03C
1/021; E03C 1/0401; E03C 1/04; E03C
1/0402

See application file for complete search history.

(56) **References Cited**

U.S. PATENT DOCUMENTS

D402,005 S * 12/1998 Ko D23/252
D467,318 S * 12/2002 Otero D23/255

D469,162 S * 1/2003 Panis D23/238
D472,610 S * 4/2003 Marshall D23/242
D490,879 S * 6/2004 Lin D23/238
D516,174 S * 2/2006 Kosasih D23/238
D517,660 S * 3/2006 Kemp D23/252
D523,930 S * 6/2006 Fritz D23/252
D579,525 S * 10/2008 Zhang D23/250

* cited by examiner

Primary Examiner — Robert Delehanty

(74) *Attorney, Agent, or Firm* — Edgar A. Zarins; Nirav
D. Parikh

(57) **CLAIM**

The ornamental design for a faucet, as shown and described.

DESCRIPTION

FIG. 1 is a perspective view of a faucet showing my new design;

FIG. 2 is a front elevational view thereof;

FIG. 3 is a right side view thereof, the opposite side being a mirror image of the side shown;

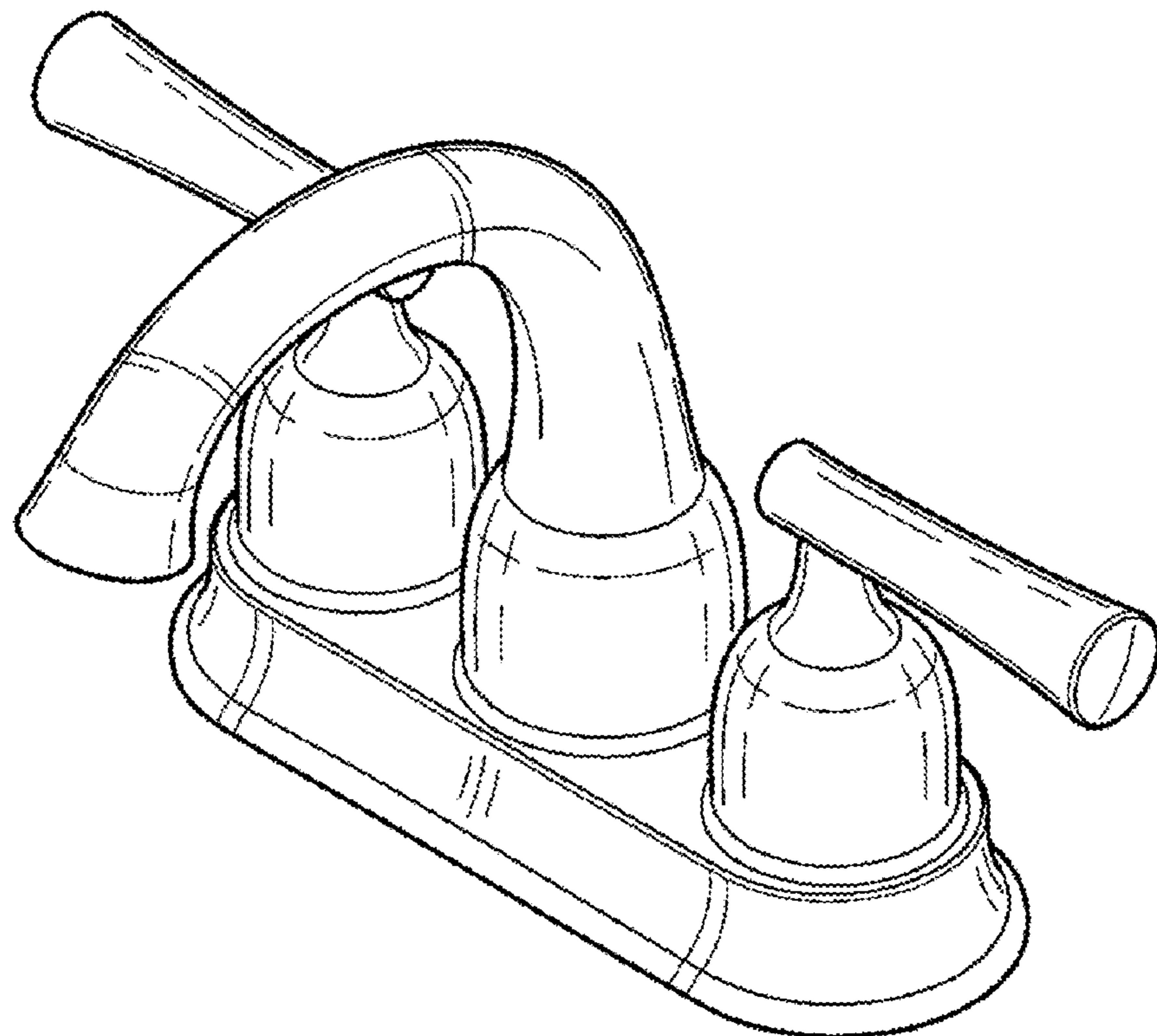
FIG. 4 is a rear view thereof;

FIG. 5 is a top plan view thereof; and,

FIG. 6 is a bottom view thereof.

The broken lines shown in FIG. 6 of the drawings are included for the purpose of illustrating a portion of the faucet that form no part of the claimed design.

1 Claim, 3 Drawing Sheets



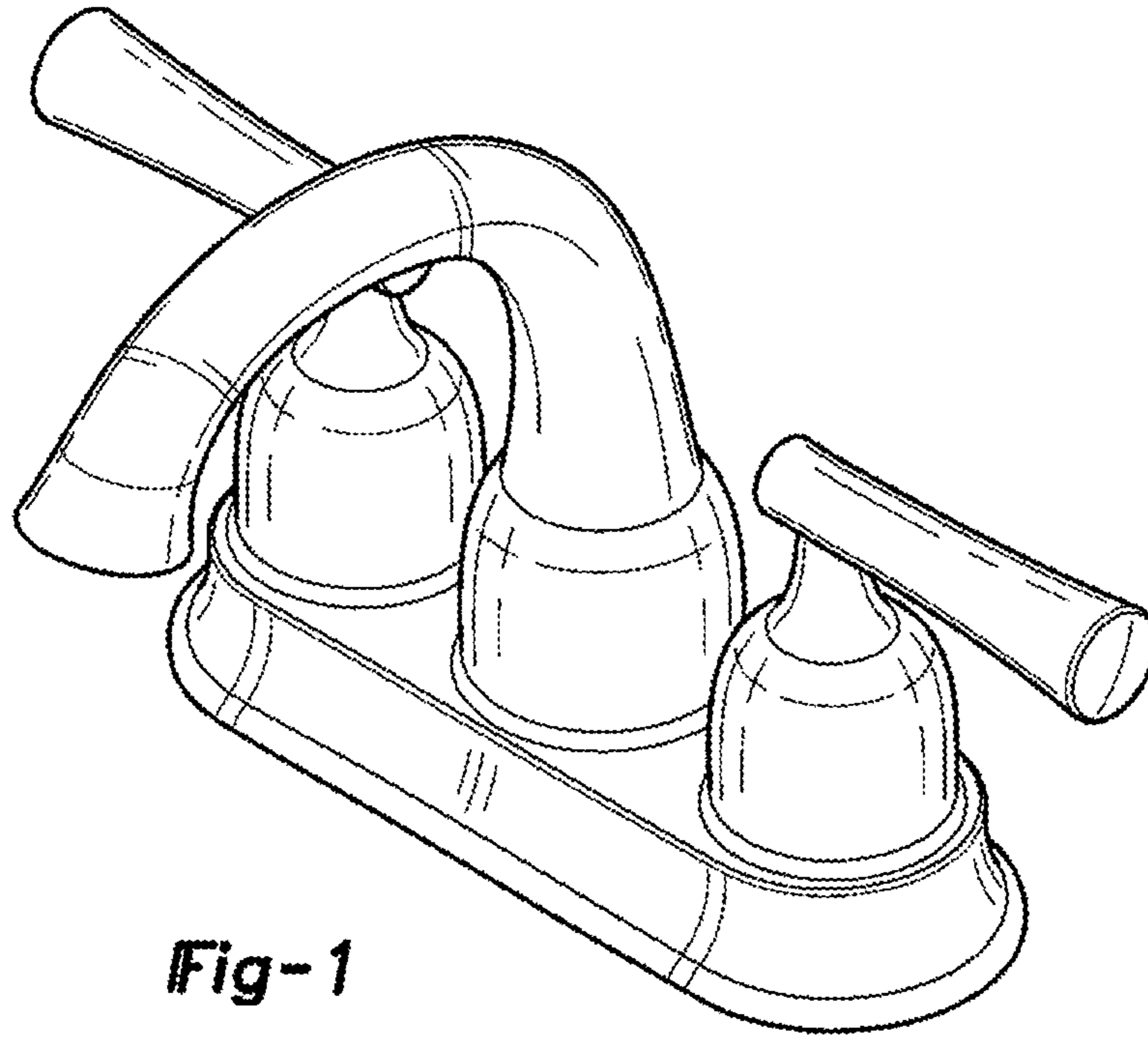


Fig-1

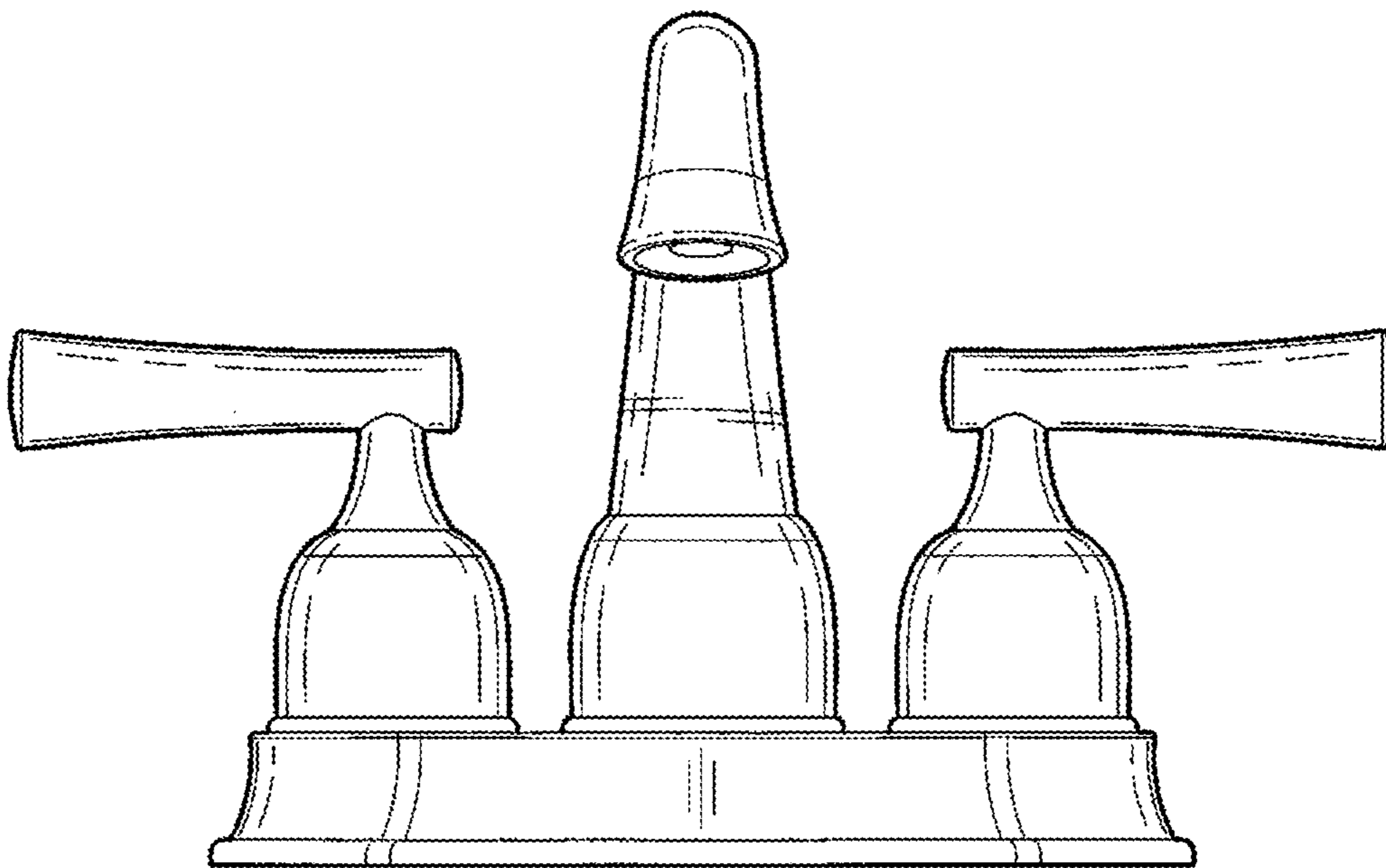


Fig-2

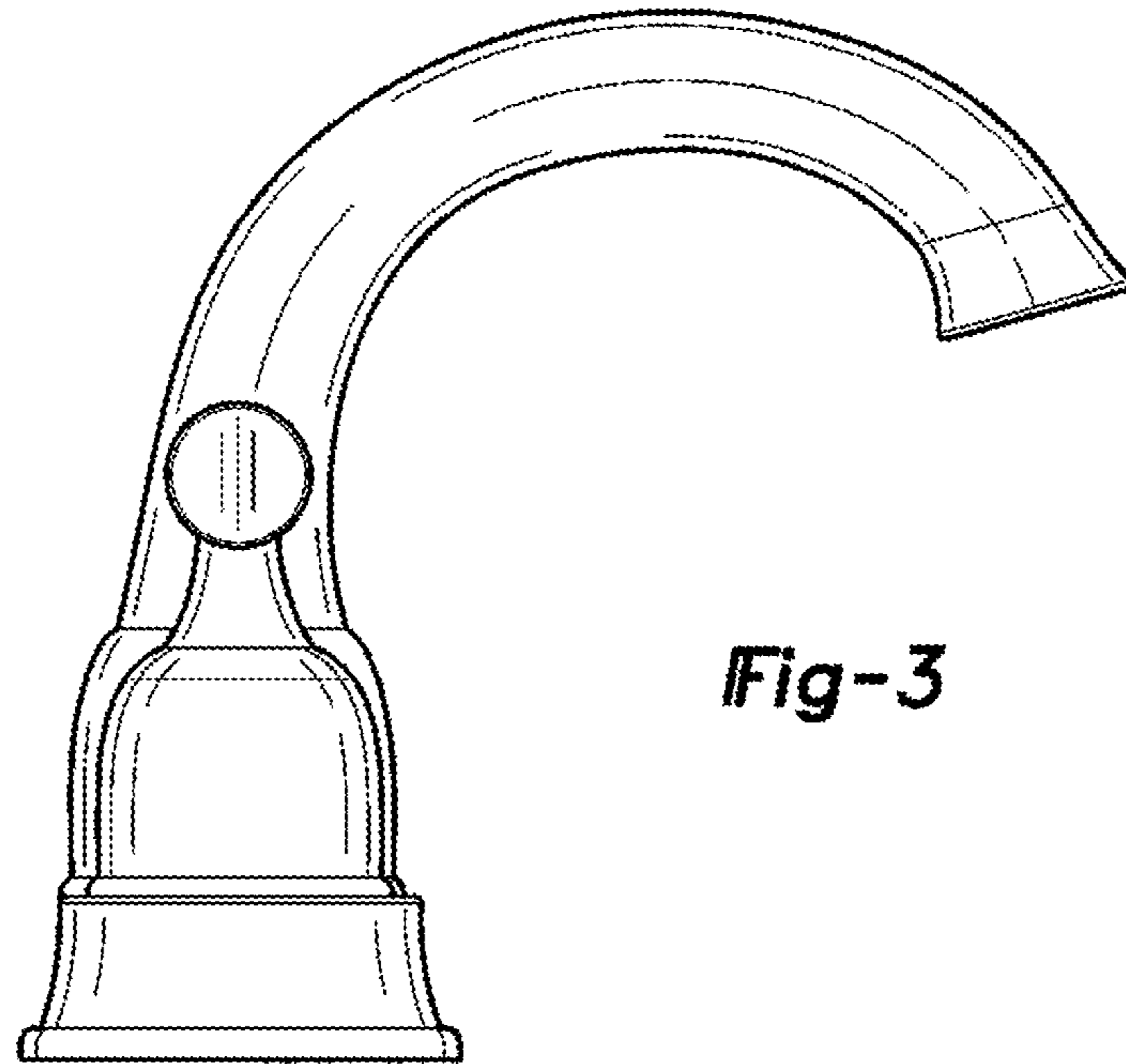


Fig-3

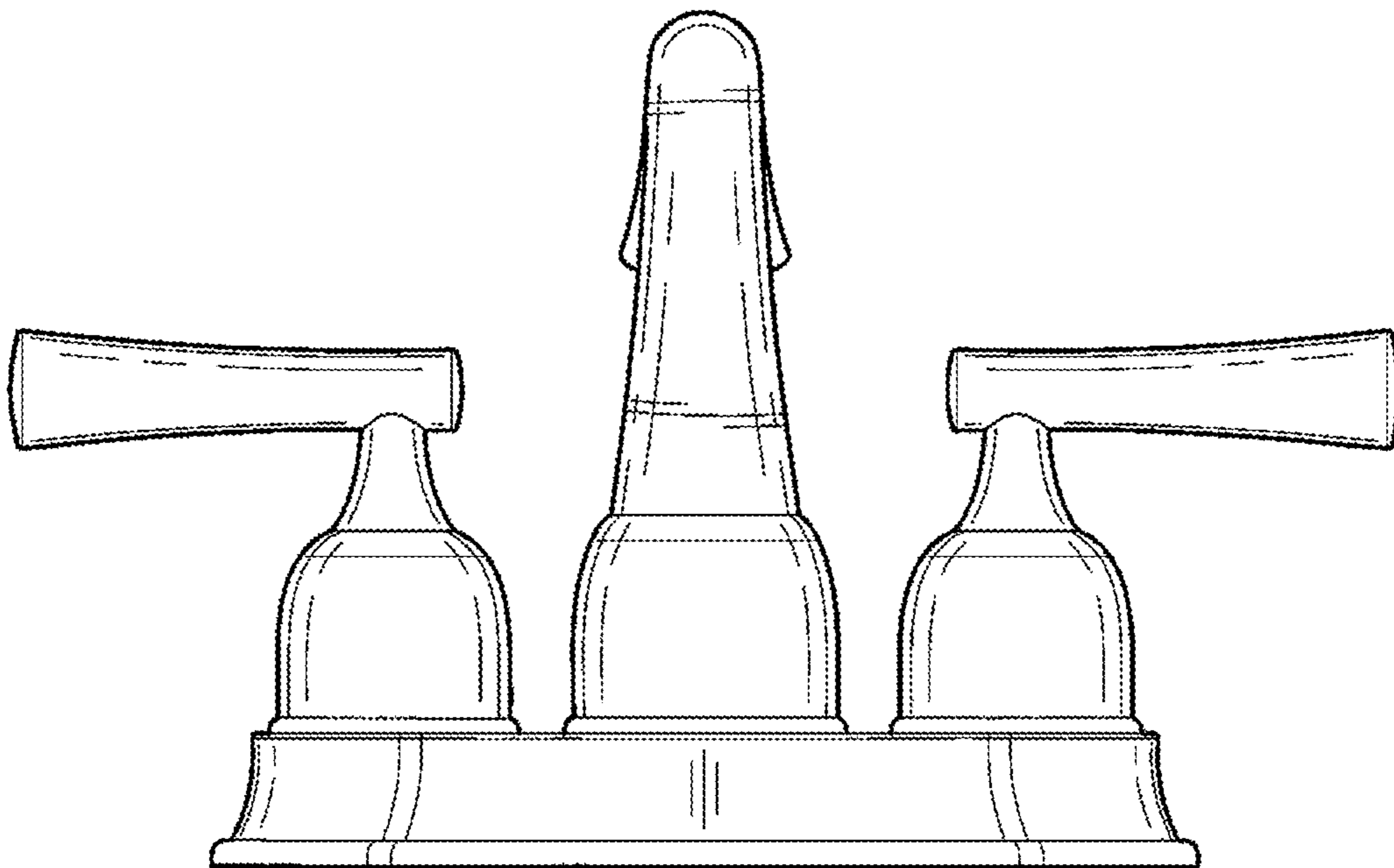


Fig-4

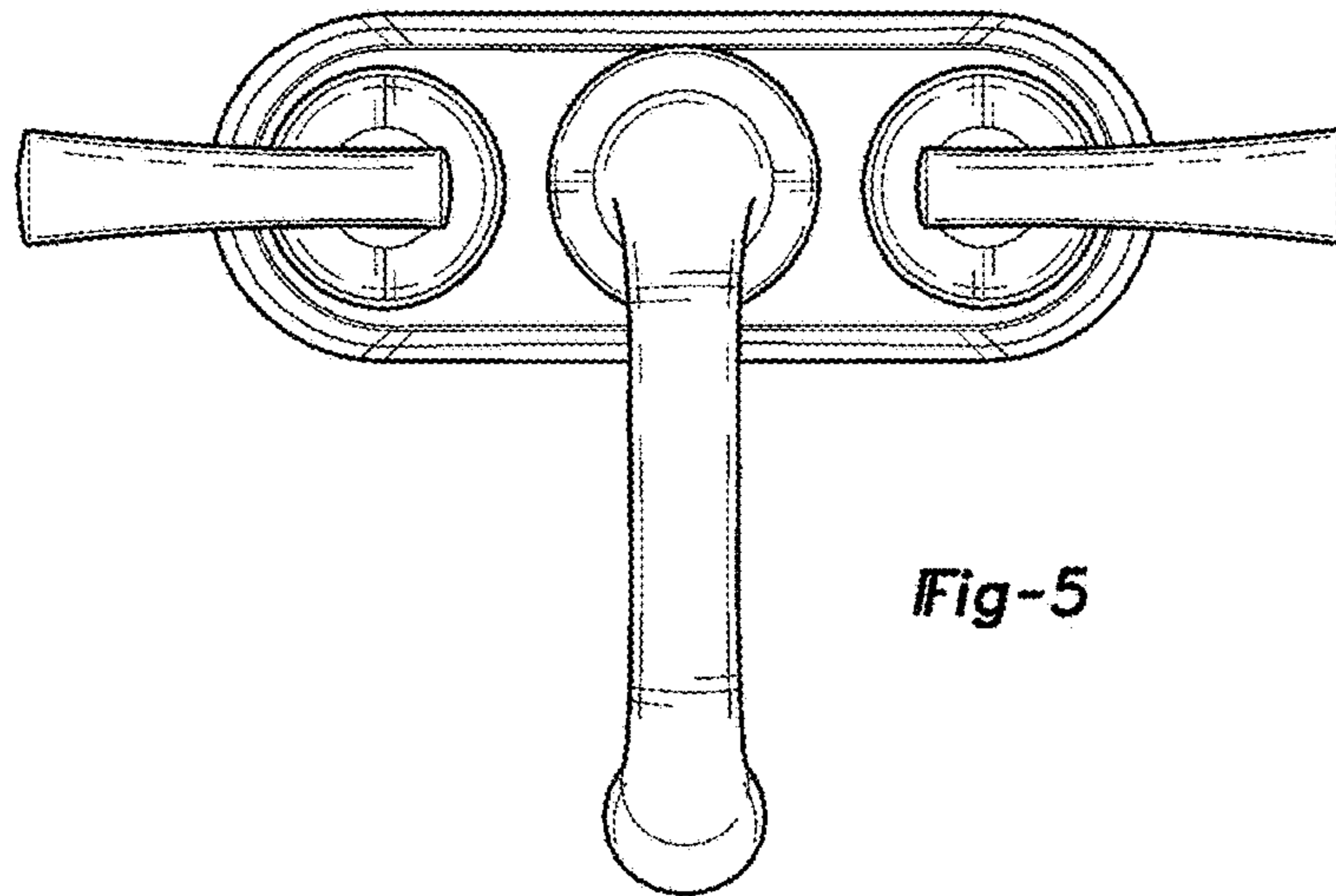


Fig-5

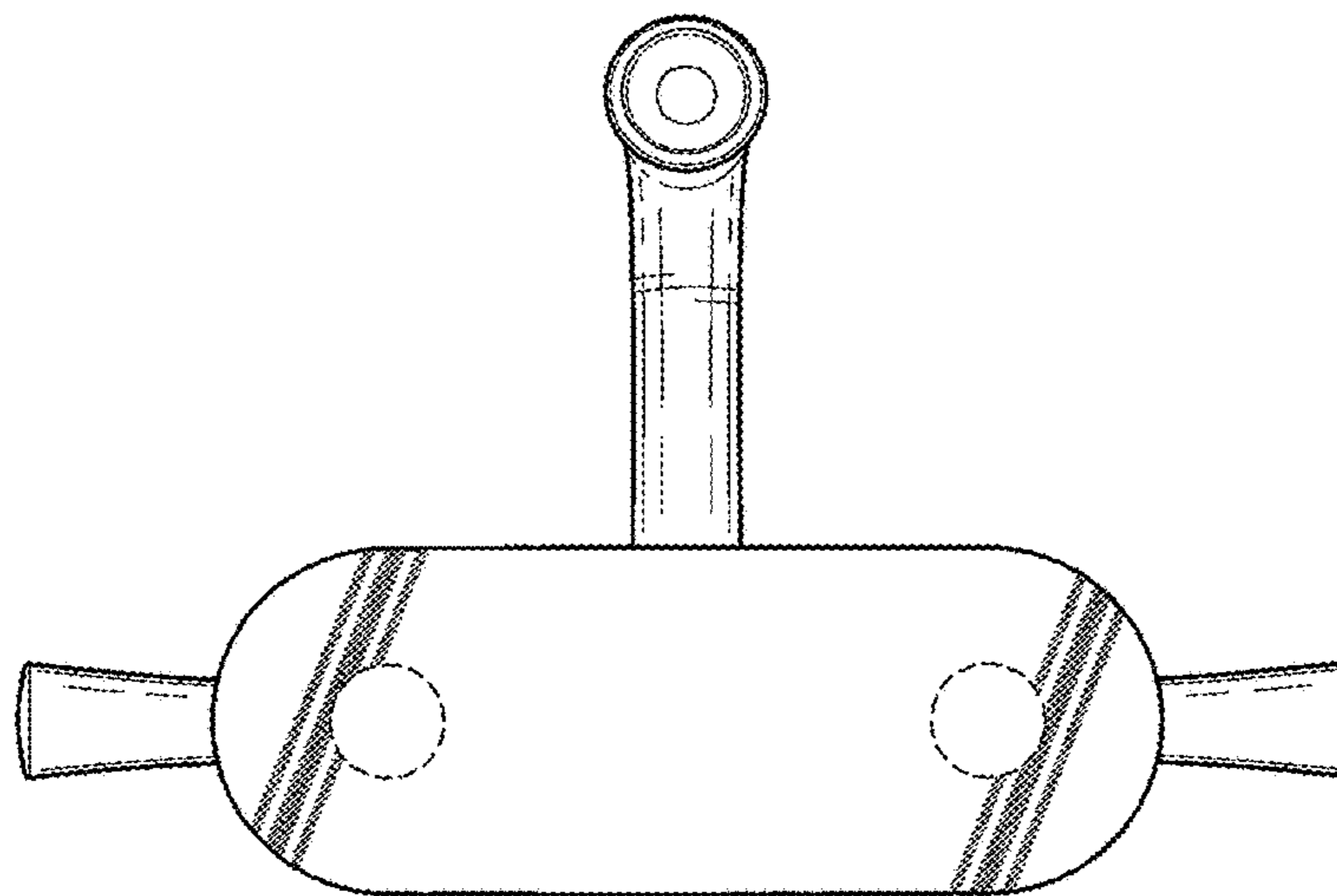


Fig-6