

US00D792949S

(12) **United States Design Patent**
Lin

(10) **Patent No.:** **US D792,949 S**

(45) **Date of Patent:** **** Jul. 25, 2017**

(54) **FAUCET**

D713,008 S * 9/2014 Citterio D23/238
D755,350 S * 5/2016 Rexach D23/238
D759,203 S * 6/2016 Flowers D23/238

(71) Applicant: **JOUGOR SANITARY TECHNOLOGIES CO., LTD.**,
Guangdong (CN)

* cited by examiner

(72) Inventor: **Xiaozu Lin**, Guangdong (CN)

Primary Examiner — Robert Delehanty
(74) *Attorney, Agent, or Firm* — Prakash Nama; Global IP Services, PLLC

(**) Term: **15 Years**

(21) Appl. No.: **29/571,171**

(22) Filed: **Jul. 14, 2016**

(51) **LOC (10) Cl.** **23-01**

(52) **U.S. Cl.**
USPC **D23/238**

(58) **Field of Classification Search**
USPC D23/238–242, 249–250, 252, 254, 245;
D8/300, 307–308, 310
CPC . E03C 1/00; E03C 1/04; E03C 1/0401; E03C
1/0402; E03C 1/0404; E03C 1/02; E03C
1/021; E03C 1/0403; F16K 27/06; F16K
27/067; F16K 27/0657
See application file for complete search history.

(56) **References Cited**

U.S. PATENT DOCUMENTS

D557,383 S * 12/2007 Garner D23/255
D598,072 S * 8/2009 Zetsche D23/238

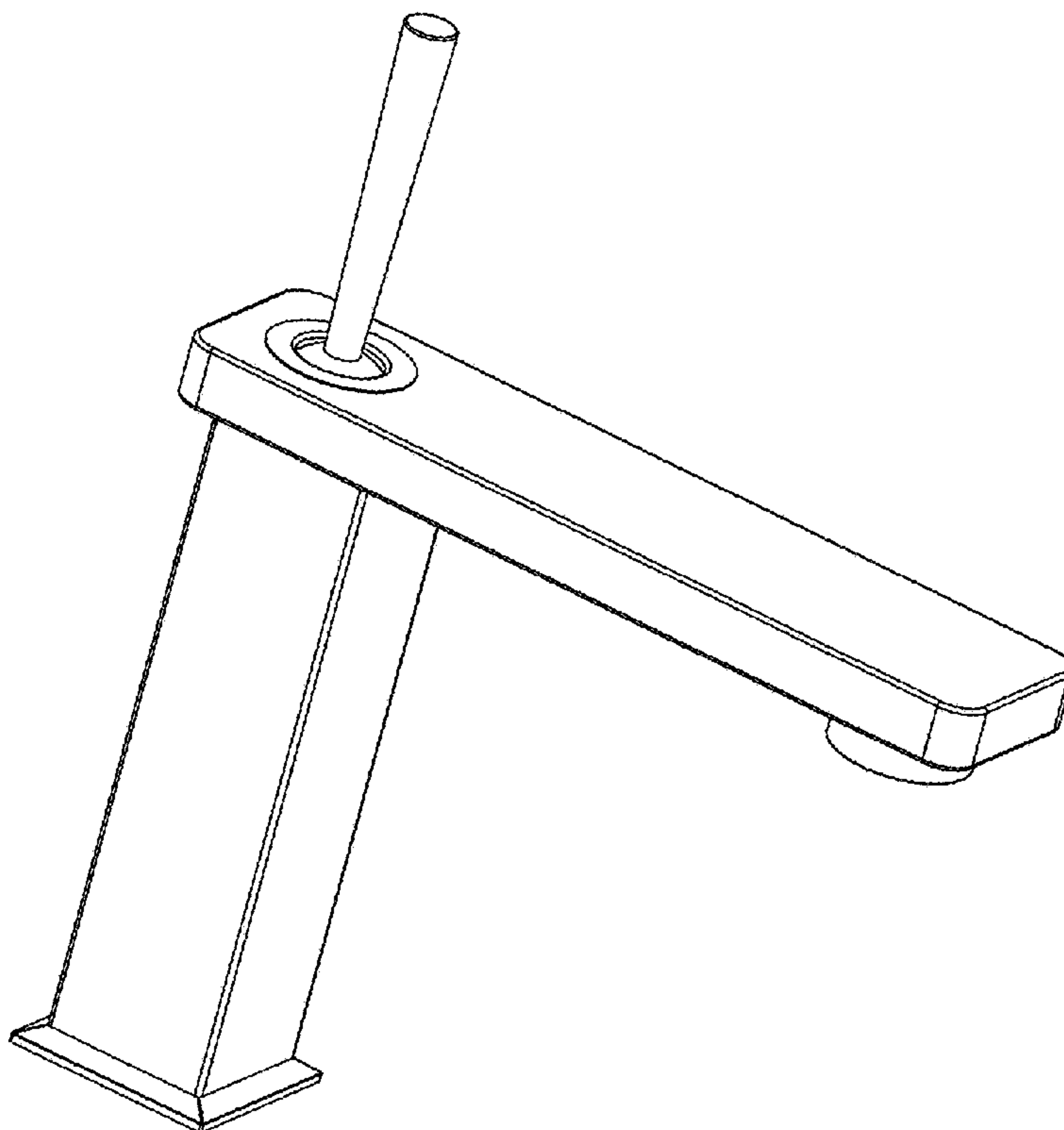
(57) **CLAIM**

The ornamental design for a faucet, as shown and described.

DESCRIPTION

FIG. 1 is a front elevational view of a faucet showing my new design;
FIG. 2 is a rear elevational view thereof;
FIG. 3 is a left side view thereof;
FIG. 4 is a right side view thereof;
FIG. 5 is a top plan view thereof;
FIG. 6 is a bottom plan view thereof;
FIG. 7 is a perspective view thereof;
FIG. 8 is a second perspective view thereof; and,
FIG. 9 is a third perspective view thereof.

1 Claim, 7 Drawing Sheets



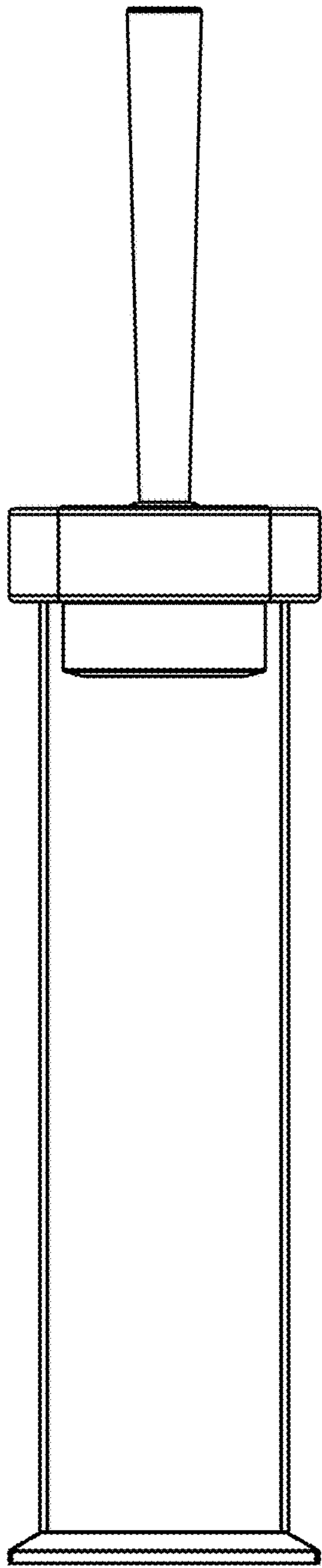


FIG. 1

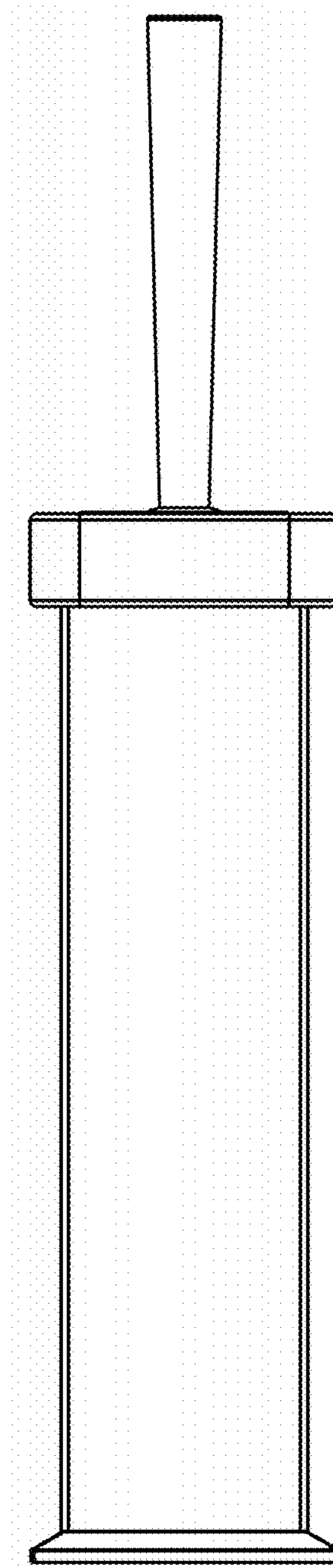


FIG. 2

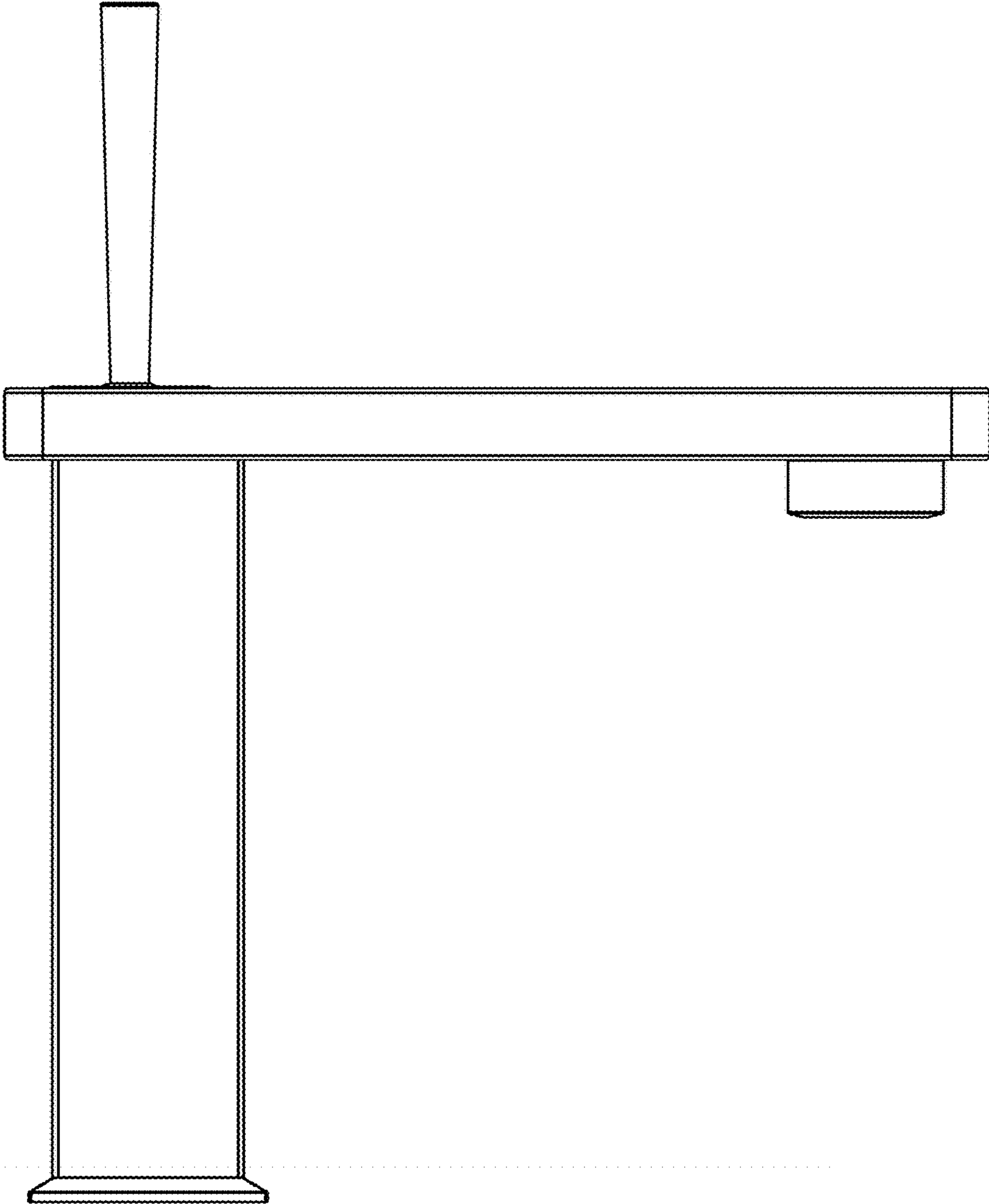


FIG. 3

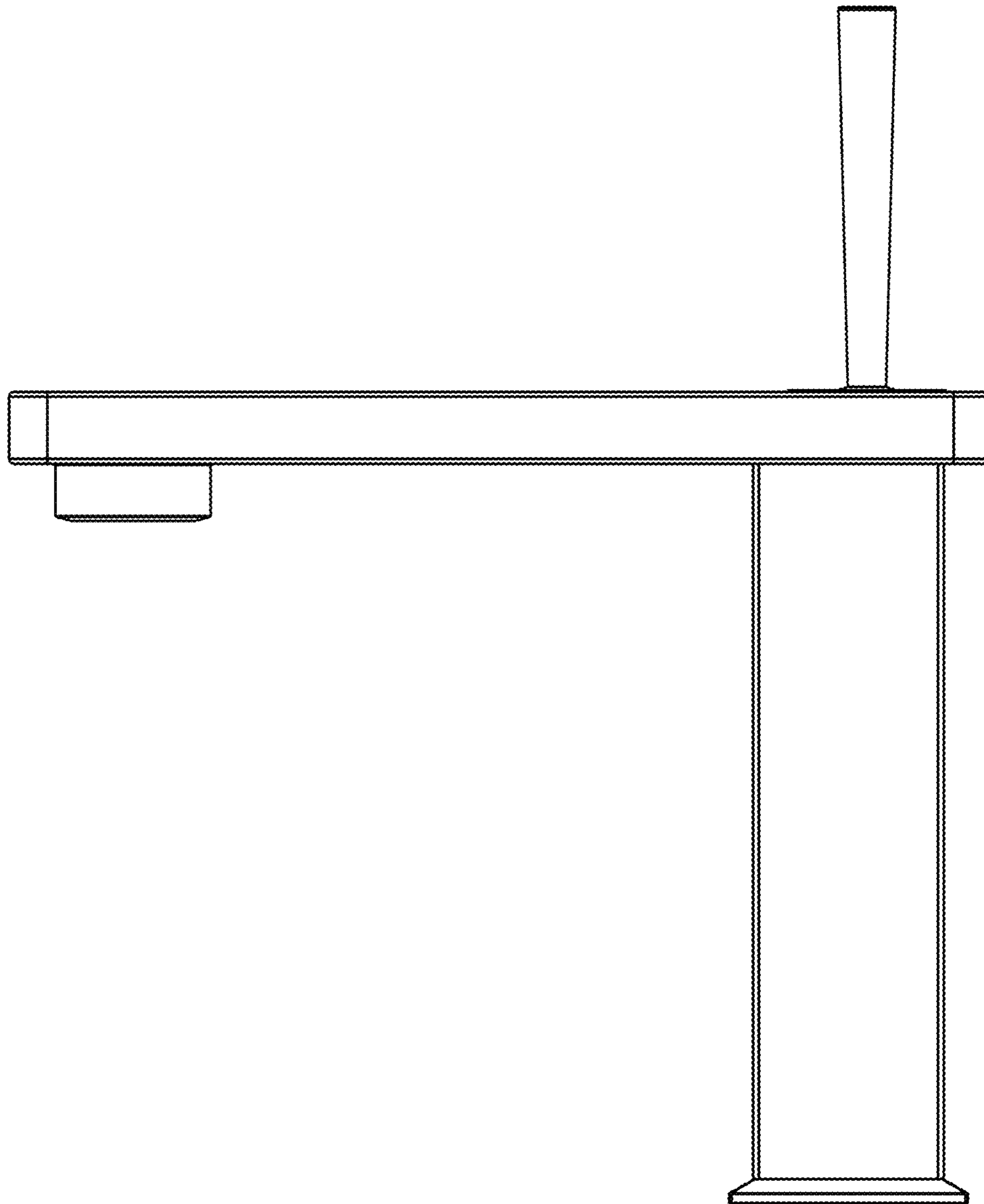


FIG. 4

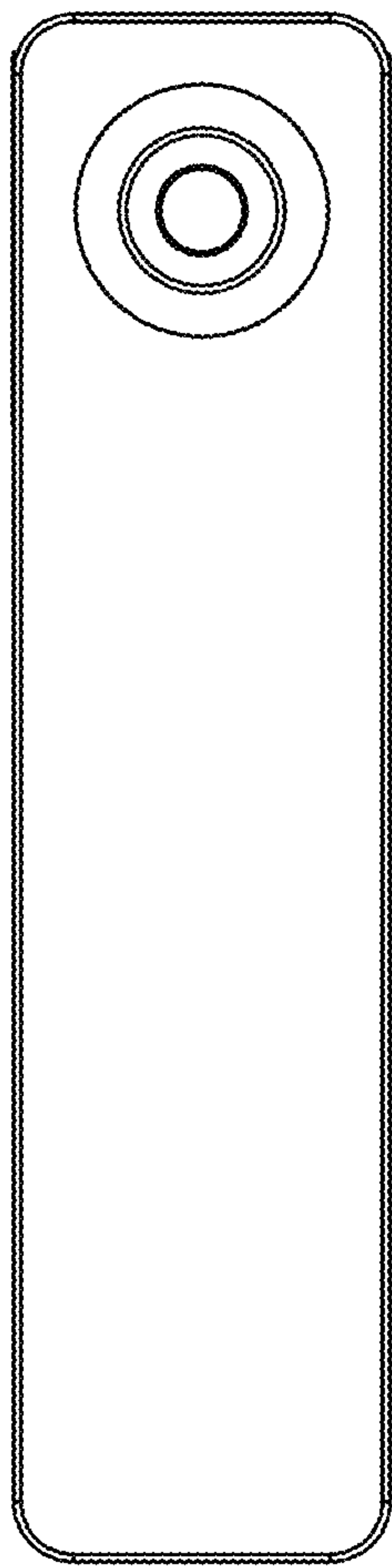


FIG. 5

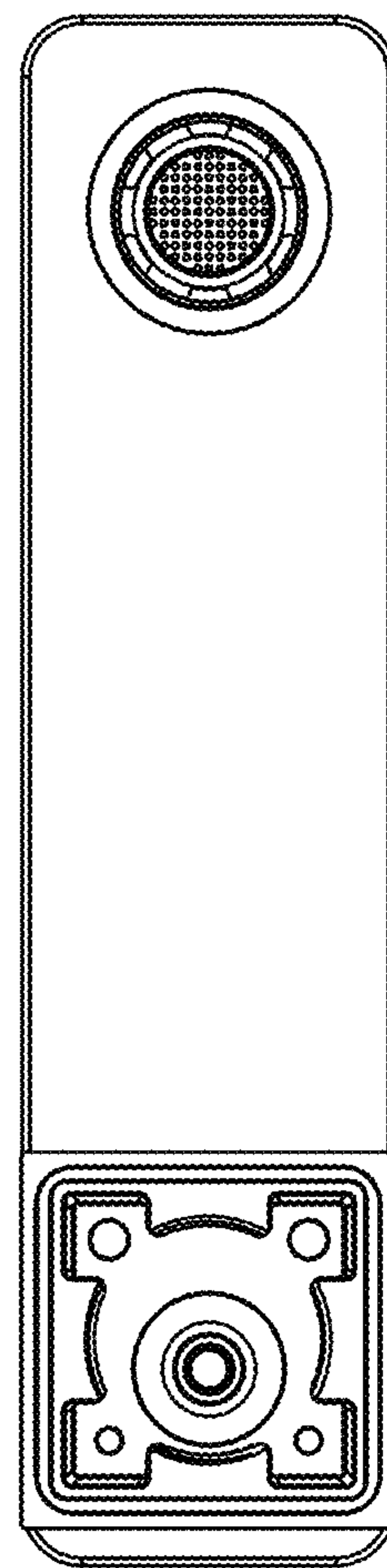


FIG. 6

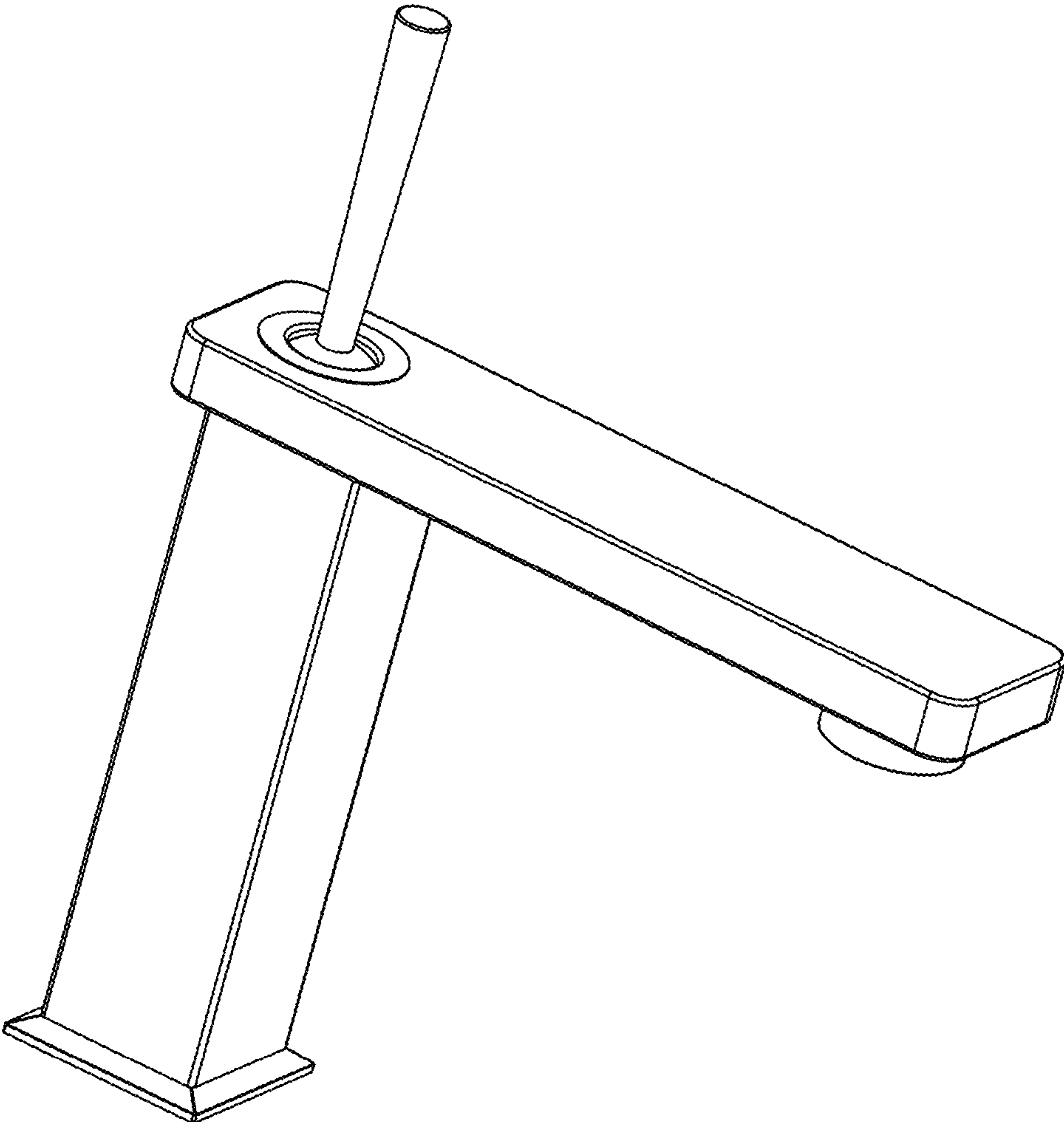


FIG. 7

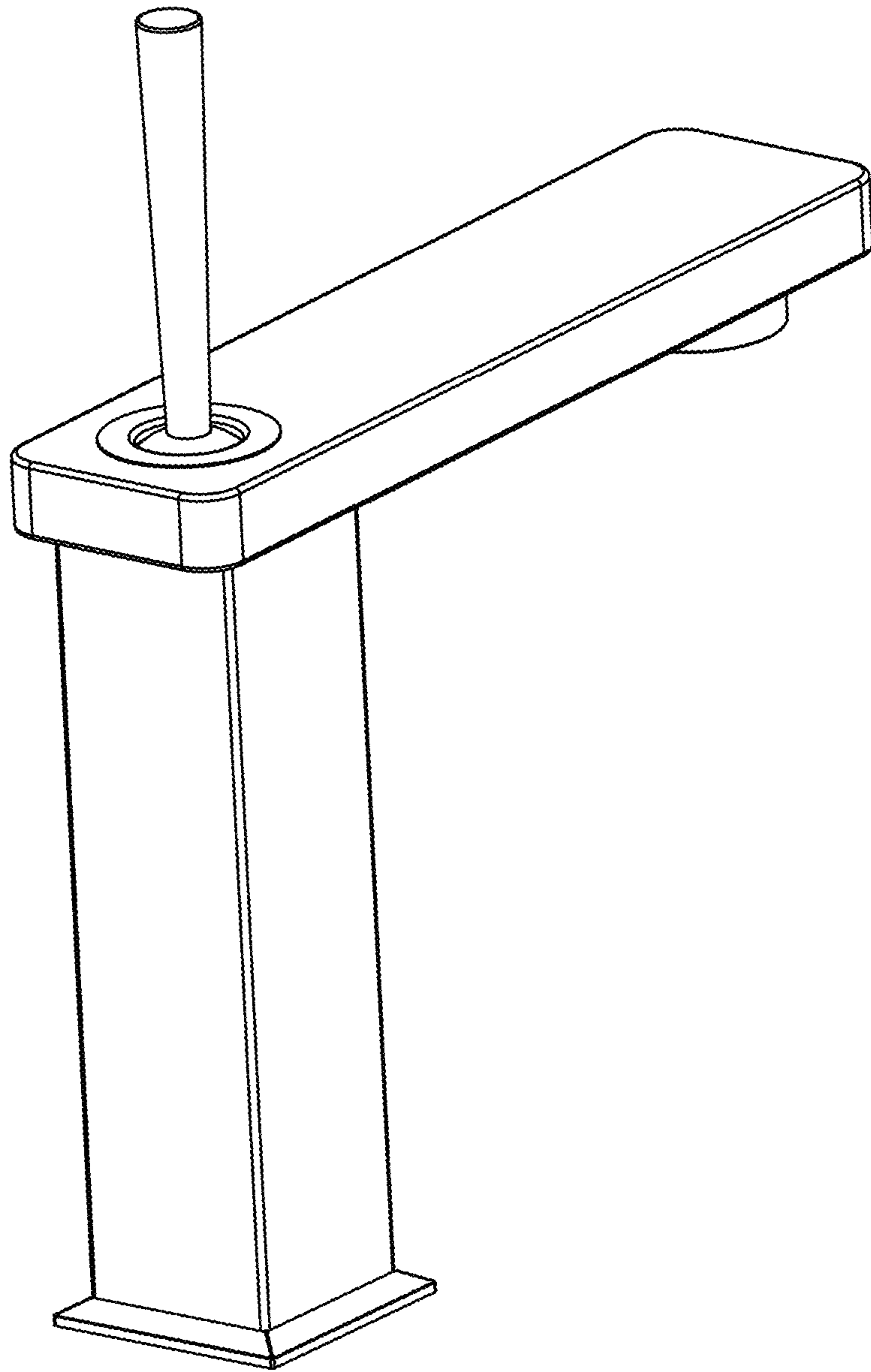


FIG. 8

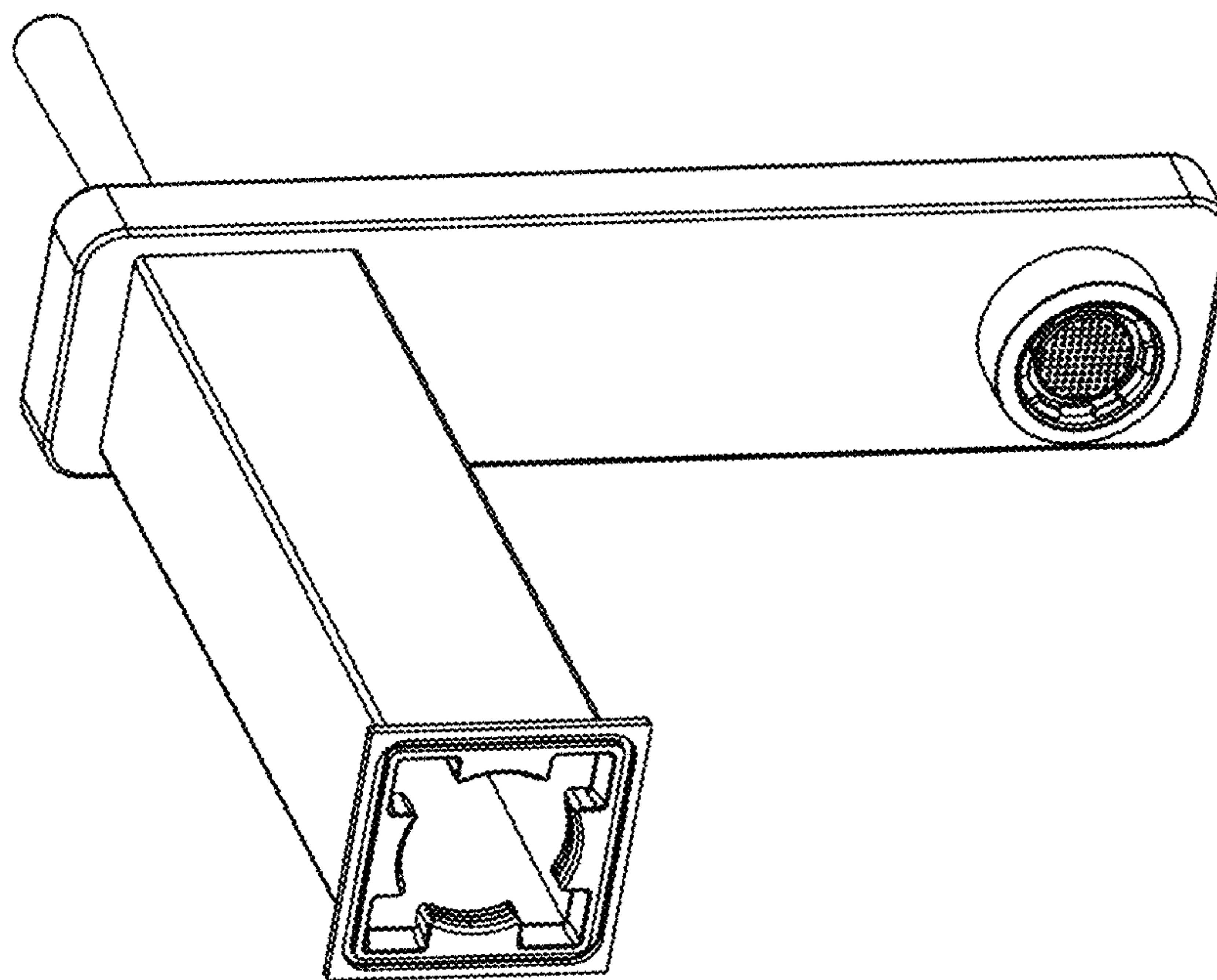


FIG. 9