



US00D792948S

(12) **United States Design Patent**
Kumakura et al.

(10) **Patent No.:** **US D792,948 S**

(45) **Date of Patent:** **** Jul. 25, 2017**

(54) **EXPANSION VALVE**
(71) Applicant: **TGK CO., LTD.**, Tokyo (JP)
(72) Inventors: **Takanao Kumakura**, Tokyo (JP);
Takeshi Kaneko, Tokyo (JP)
(73) Assignee: **TGK CO., LTD.**, Tokyo (JP)

D602,560 S *	10/2009	Shimura	D23/233
D611,123 S *	3/2010	Matsumoto	D23/233
D683,815 S *	6/2013	Kobayashi	D23/233
D683,817 S *	6/2013	Kobayashi	D23/233
D689,594 S *	9/2013	Kumakura	D23/233
D722,135 S	2/2015	Kumakura	D23/233
D746,410 S	12/2015	Kaneko et al.	D23/233
2001/0018830 A1 *	9/2001	Fukuda	B60H 1/00485 62/210

(**) Term: **15 Years**

(21) Appl. No.: **29/559,301**

(22) Filed: **Mar. 25, 2016**

(30) **Foreign Application Priority Data**

Jan. 8, 2016 (JP) 2016-000358

(51) **LOC (10) Cl.** **23-01**

(52) **U.S. Cl.**
USPC **D23/233**

(58) **Field of Classification Search**
USPC D23/233, 234, 235, 236, 237, 238, 239,
D23/240, 241, 242, 243, 244, 245, 246,
D23/247, 248, 249, 250; D15/5, 6, 7;
251/129.01, 129.11, 264, 333, 331;
137/625.48, 630.12, 14, 333, 340, 500,
137/511, 550, 596.12, 614.16; 236/63,
236/64; 62/222
CPC F16K 11/074; F16K 11/10; F16K 31/0613;
B05C 5/0229; B05B 15/0233; F25B
41/062

See application file for complete search history.

(56) **References Cited**

U.S. PATENT DOCUMENTS

D498,516 S *	11/2004	Fukuda	D23/233
D502,252 S	2/2005	Fukuda et al.	D23/233
D504,714 S	5/2005	Fukuda et al.	D23/233
D505,183 S *	5/2005	Fukuda	D23/233

FOREIGN PATENT DOCUMENTS

JP	1213883	8/2004
JP	1213884	8/2004
JP	1214177	8/2004
JP	1214178	8/2004
JP	1323298	3/2008

(Continued)

Primary Examiner — Susan E Krakower

Assistant Examiner — Michael Maharajh

(74) *Attorney, Agent, or Firm* — Martine Penilla Group,
LLP

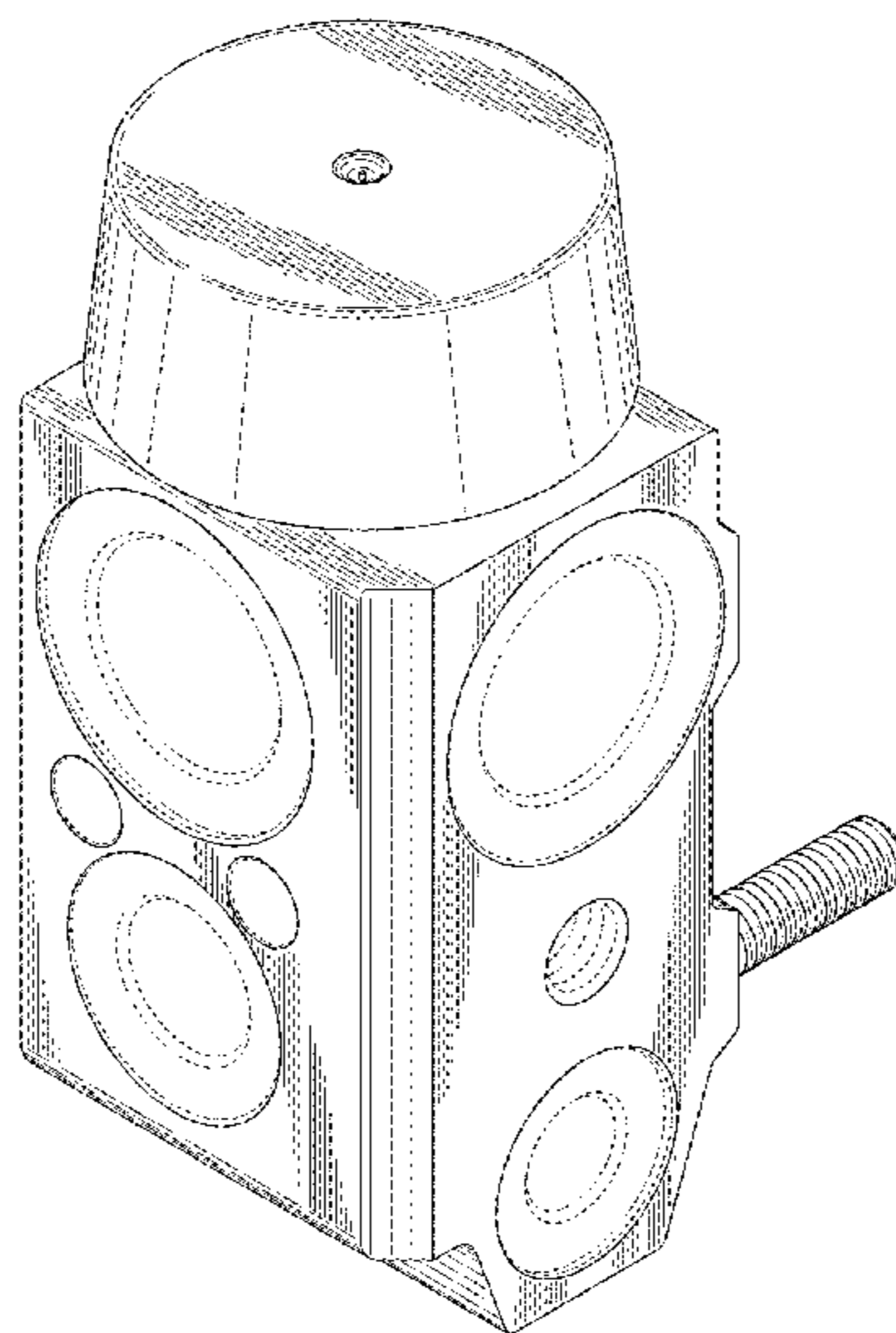
(57) **CLAIM**

The ornamental design for an expansion valve, as shown and described.

DESCRIPTION

FIG. 1 is a front perspective view of an expansion valve, showing our new design;
FIG. 2 is a rear perspective view thereof;
FIG. 3 is a front elevation view thereof;
FIG. 4 is a rear elevation view thereof;
FIG. 5 is a top plan view thereof;
FIG. 6 is a bottom plan view thereof;
FIG. 7 is a left-side elevation view thereof; and,
FIG. 8 is a right-side elevation view thereof.
The broken lines are for the purpose of illustrating portions of the expansion valve and form no part of the claimed design.

1 Claim, 8 Drawing Sheets



(56)

References Cited

FOREIGN PATENT DOCUMENTS

JP	1323300	3/2008
JP	13377517	8/2008
JP	1358213	5/2009
JP	1488972	1/2014
JP	1512945	12/2014
JP	1513080	12/2014
JP	1513081	12/2014

* cited by examiner

FIG. 1

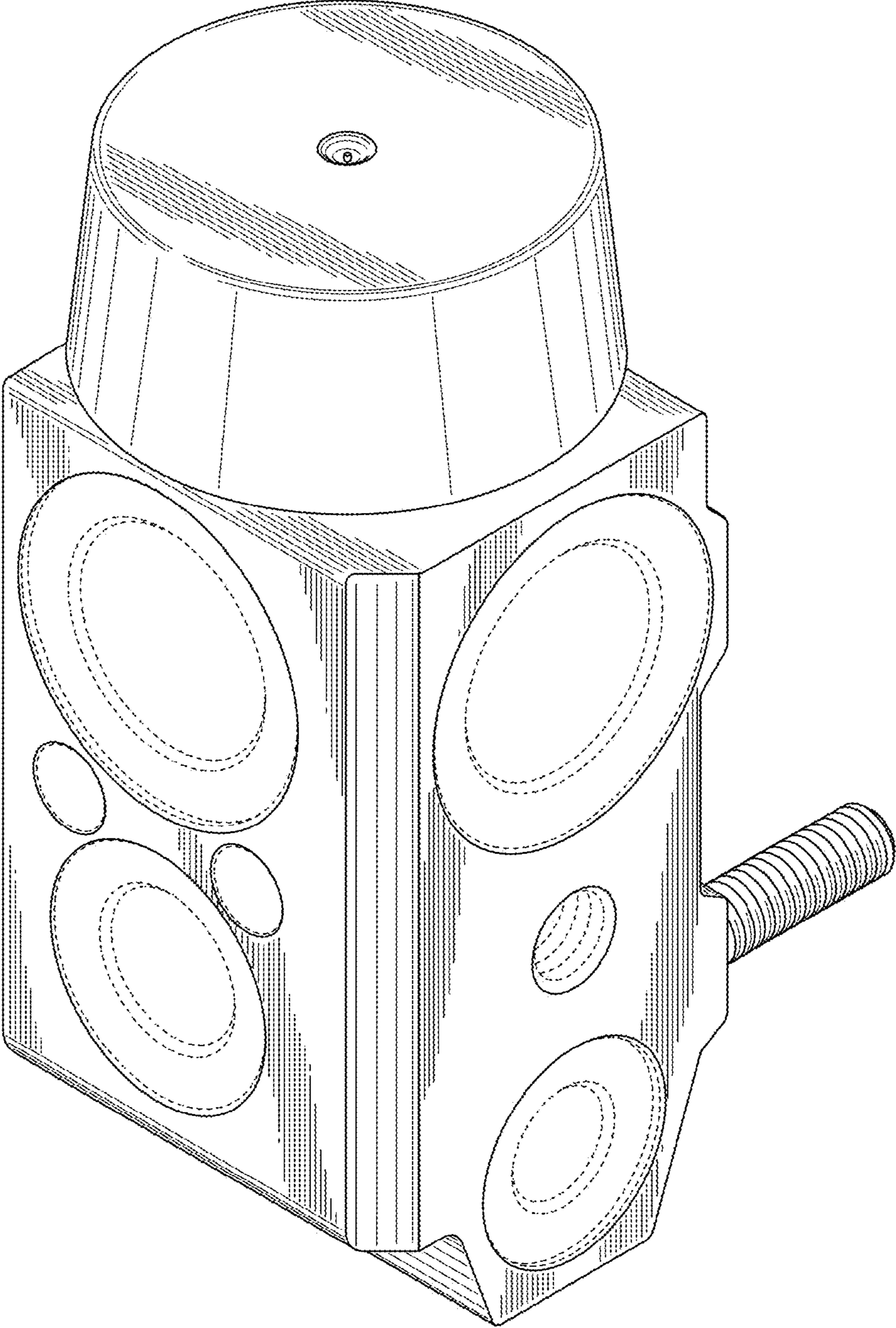


FIG. 2

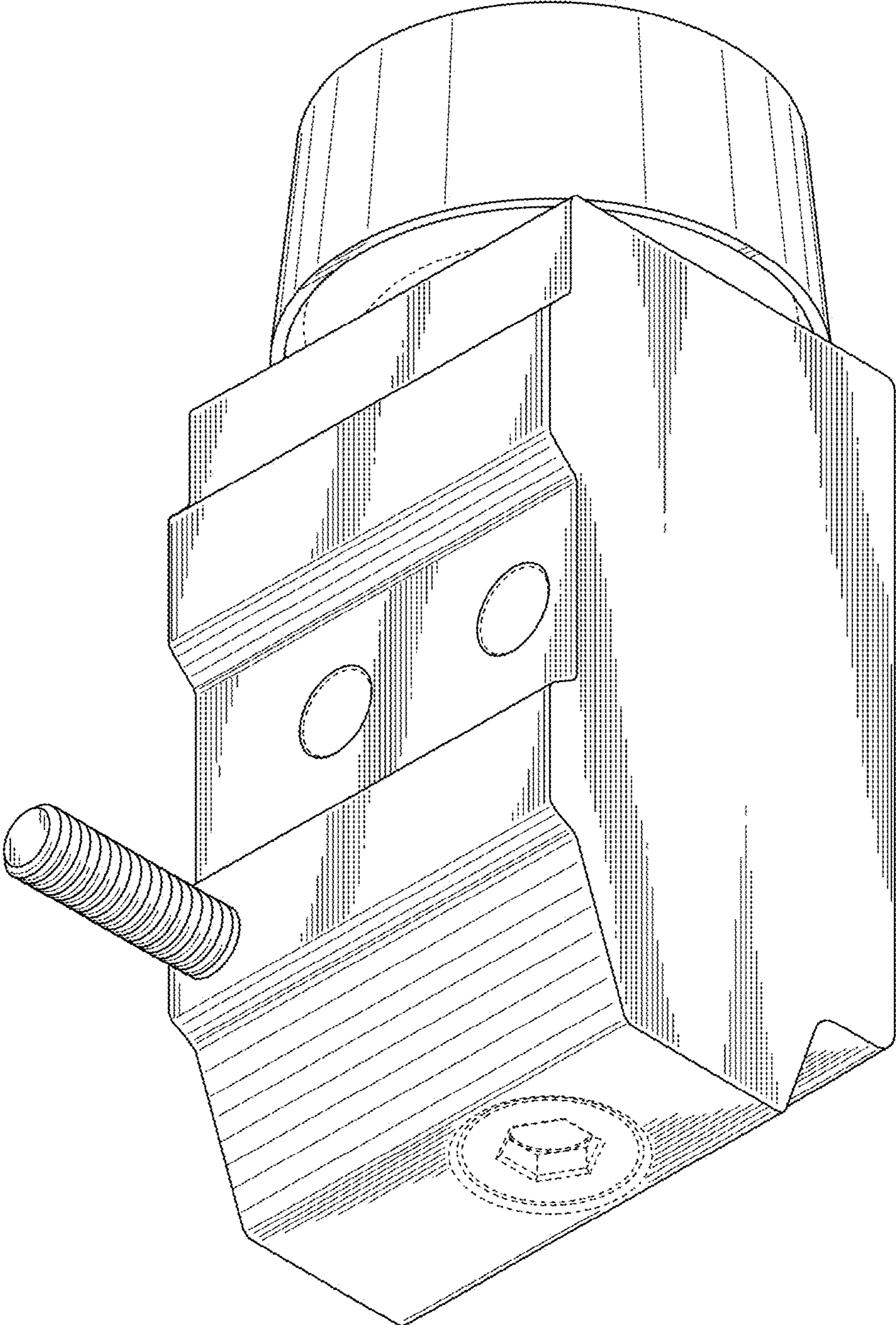


FIG. 3

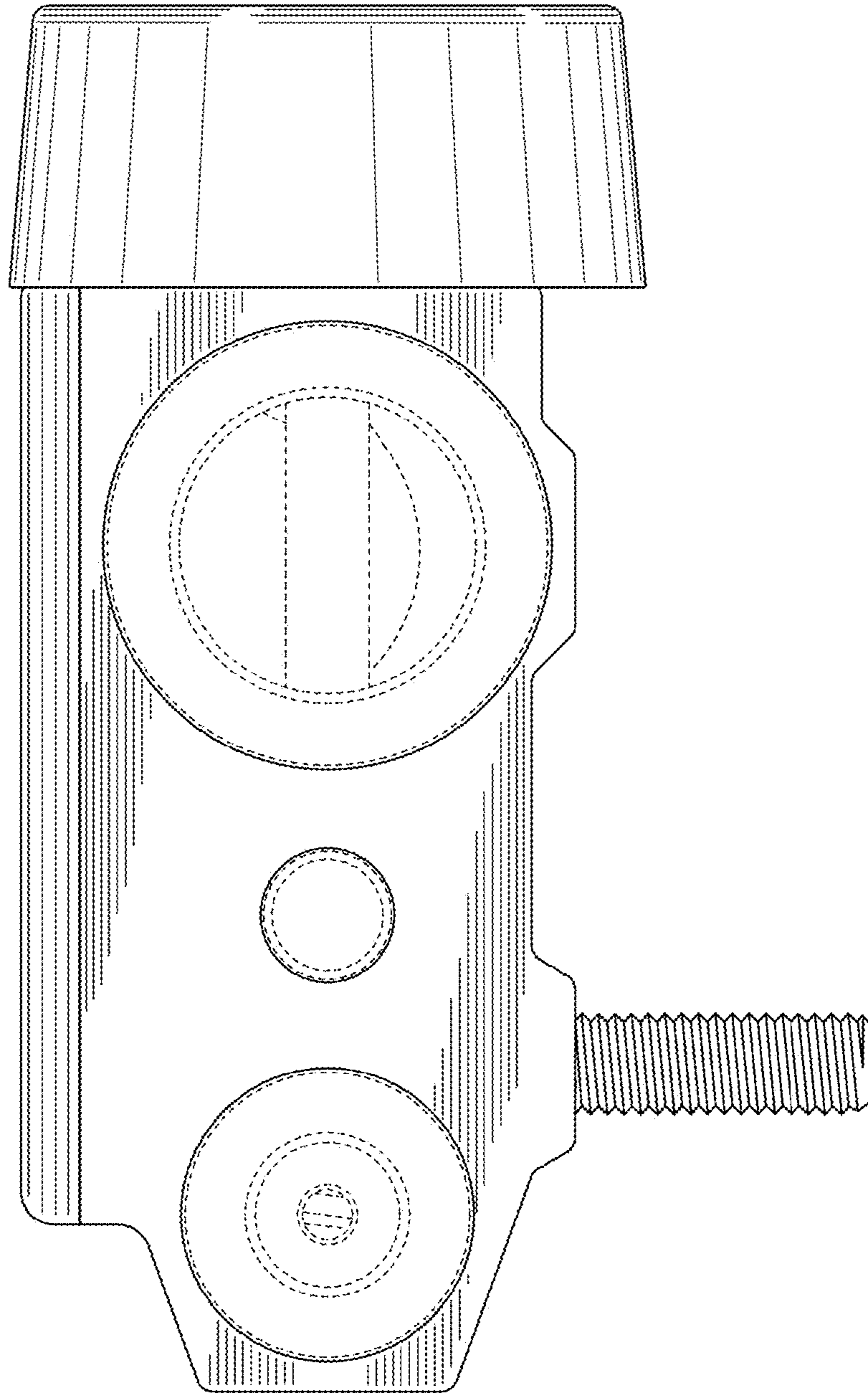


FIG. 4

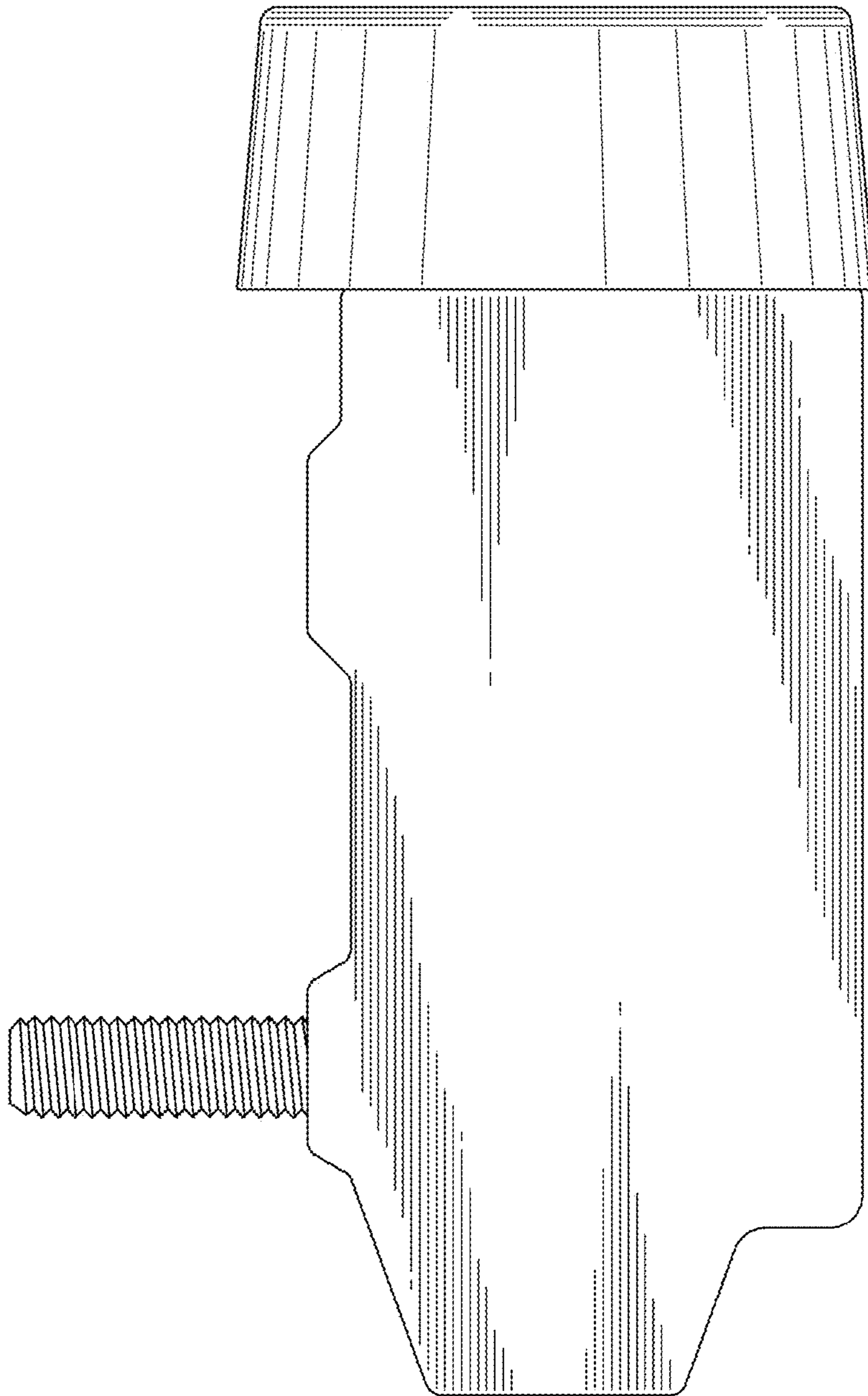


FIG. 5

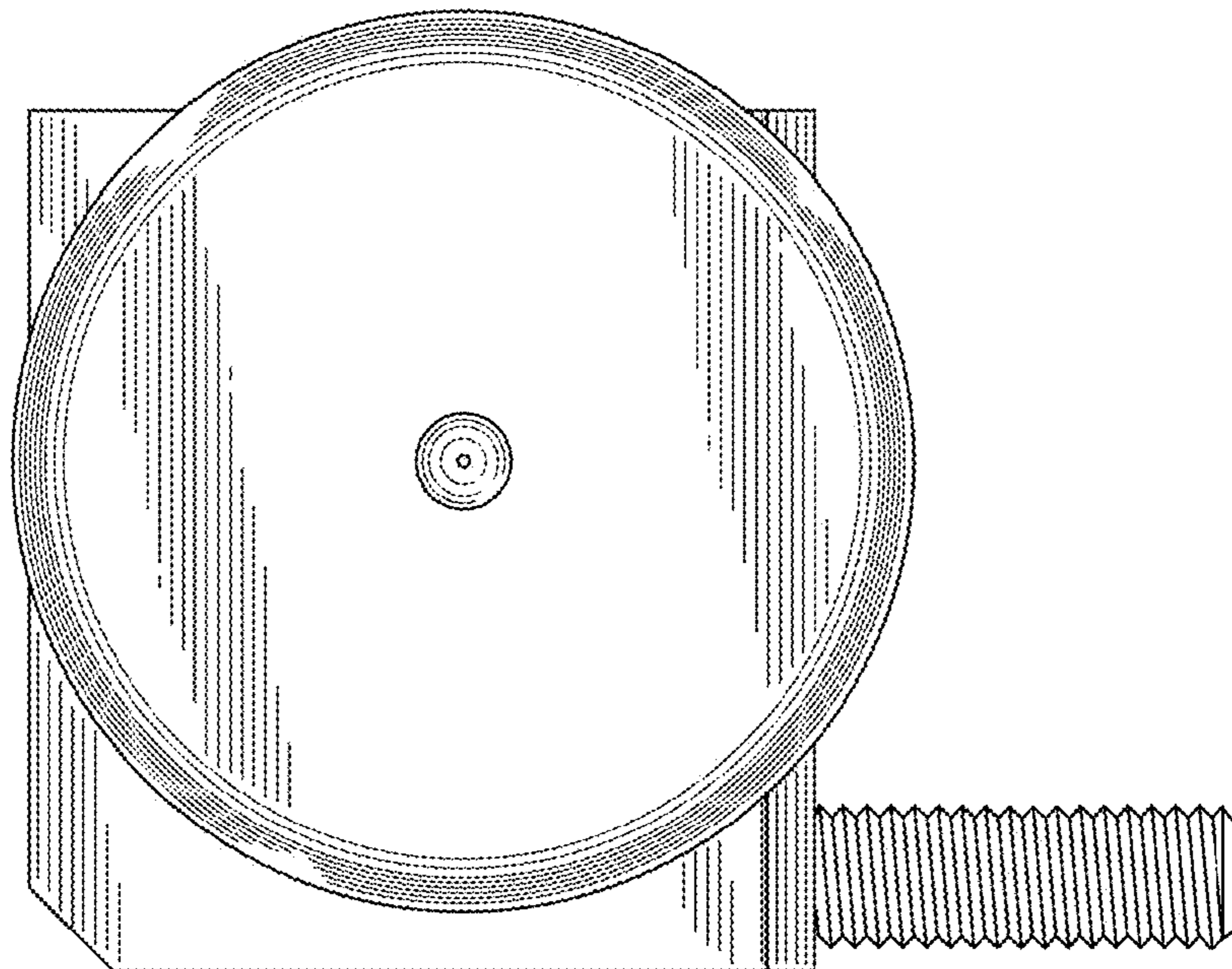


FIG. 6

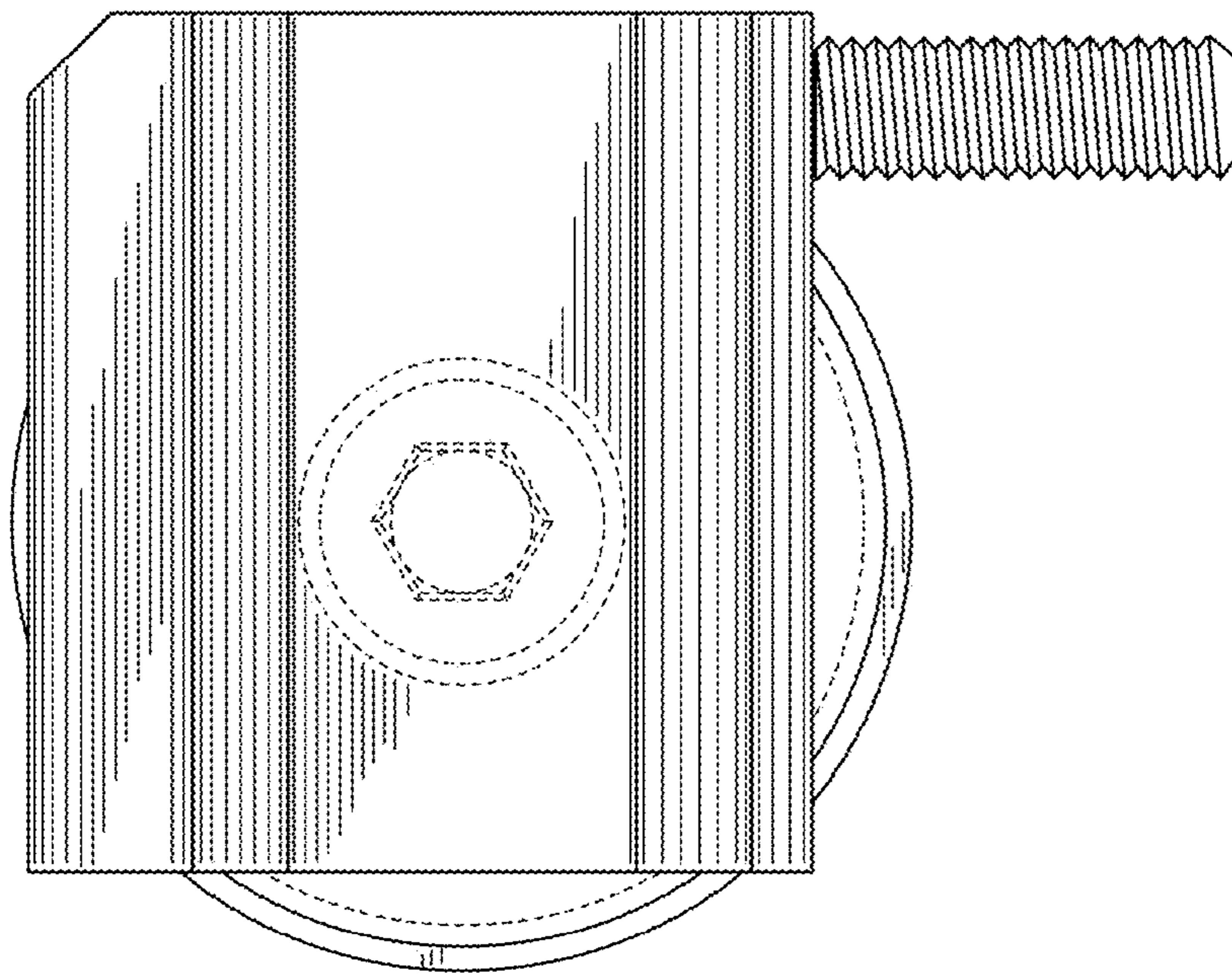


FIG. 7

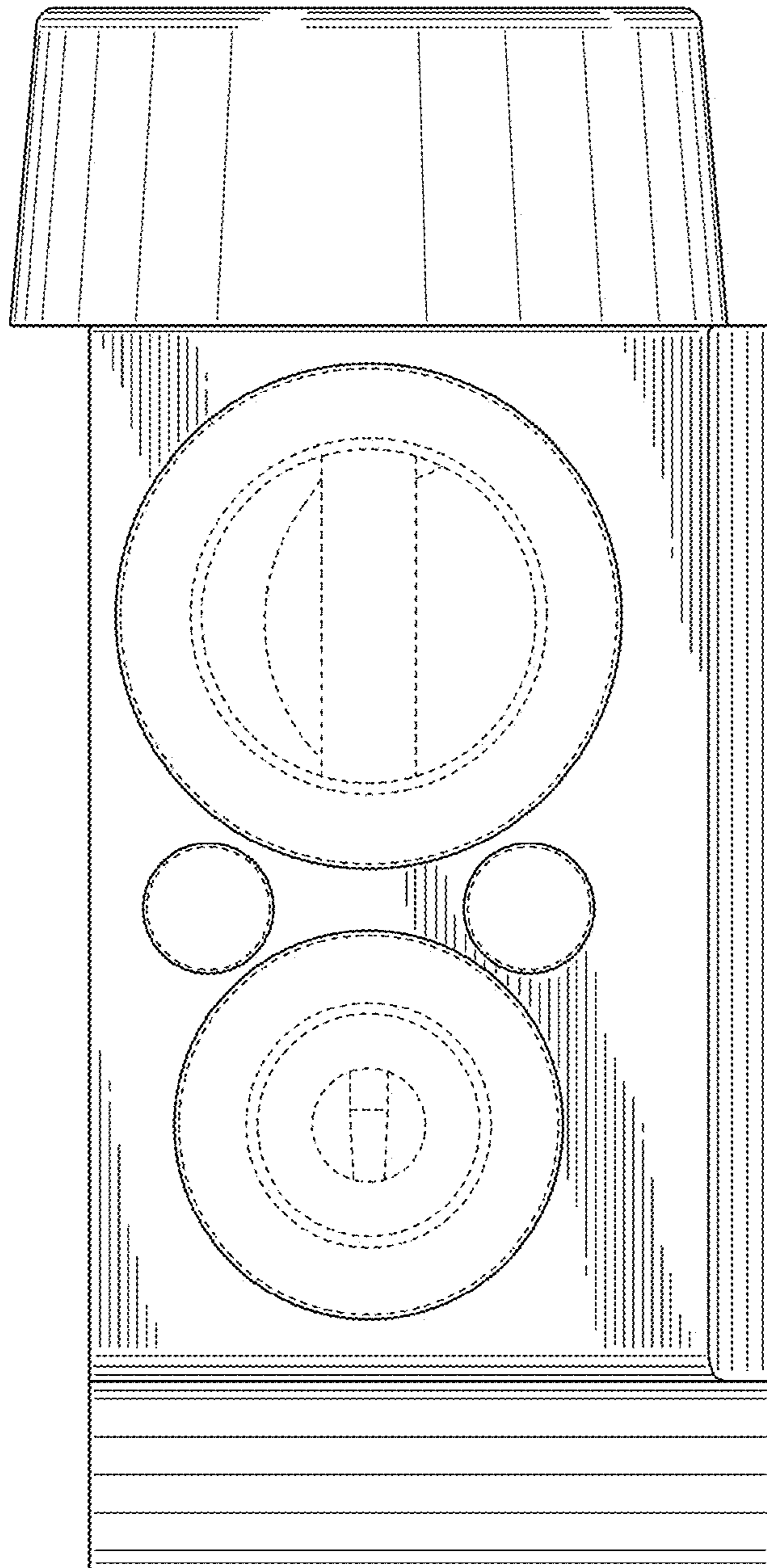


FIG. 8

