

US00D792947S

(12) **United States Design Patent**
Hung

(10) **Patent No.:** **US D792,947 S**

(45) **Date of Patent:** **** Jul. 25, 2017**

- (54) **SPRINKLER GUN**
- (71) Applicant: **Ruey Ryh Enterprise Co. Ltd.**,
Changhua County, Taiwan (CN)
- (72) Inventor: **Chen-Fu Hung**, Changhua County
(CN)
- (73) Assignee: **Ruey Ryh Enterprise Co., Ltd.**,
Changhua County (TW)
- (**) Term: **15 Years**
- (21) Appl. No.: **29/564,549**
- (22) Filed: **May 13, 2016**
- (51) **LOC (10) Cl.** **23-01**
- (52) **U.S. Cl.**
USPC **D23/226**
- (58) **Field of Classification Search**
USPC D23/213, 223–225, 230, 283, 303
CPC .. B05B 9/01; B05B 1/00; B05B 1/005; B05B
7/1209
See application file for complete search history.

D704,801 S *	5/2014	Chen	D23/223
D705,898 S *	5/2014	Chen	D23/223
D712,511 S *	9/2014	Mammen	D23/226
D713,934 S *	9/2014	Mammen	D23/226
D729,902 S *	5/2015	Hollinger	D23/223
D749,696 S *	2/2016	Thurgood	D23/223
D757,898 S *	5/2016	Yu	D23/226
D782,008 S *	3/2017	Naslund	D23/226
2015/0375250 A1 *	12/2015	Kuo	B05B 15/065 239/548
2016/0243568 A1 *	8/2016	Walters	B05B 9/01
2016/0250651 A1 *	9/2016	Ayers	B05B 1/3026 239/391

* cited by examiner

Primary Examiner — Holly Baynham
Assistant Examiner — Rachel Voorhies
 (74) *Attorney, Agent, or Firm* — Senniger Powers LLP

(57) **CLAIM**

The ornamental design for a sprinkler gun, as shown and described.

DESCRIPTION

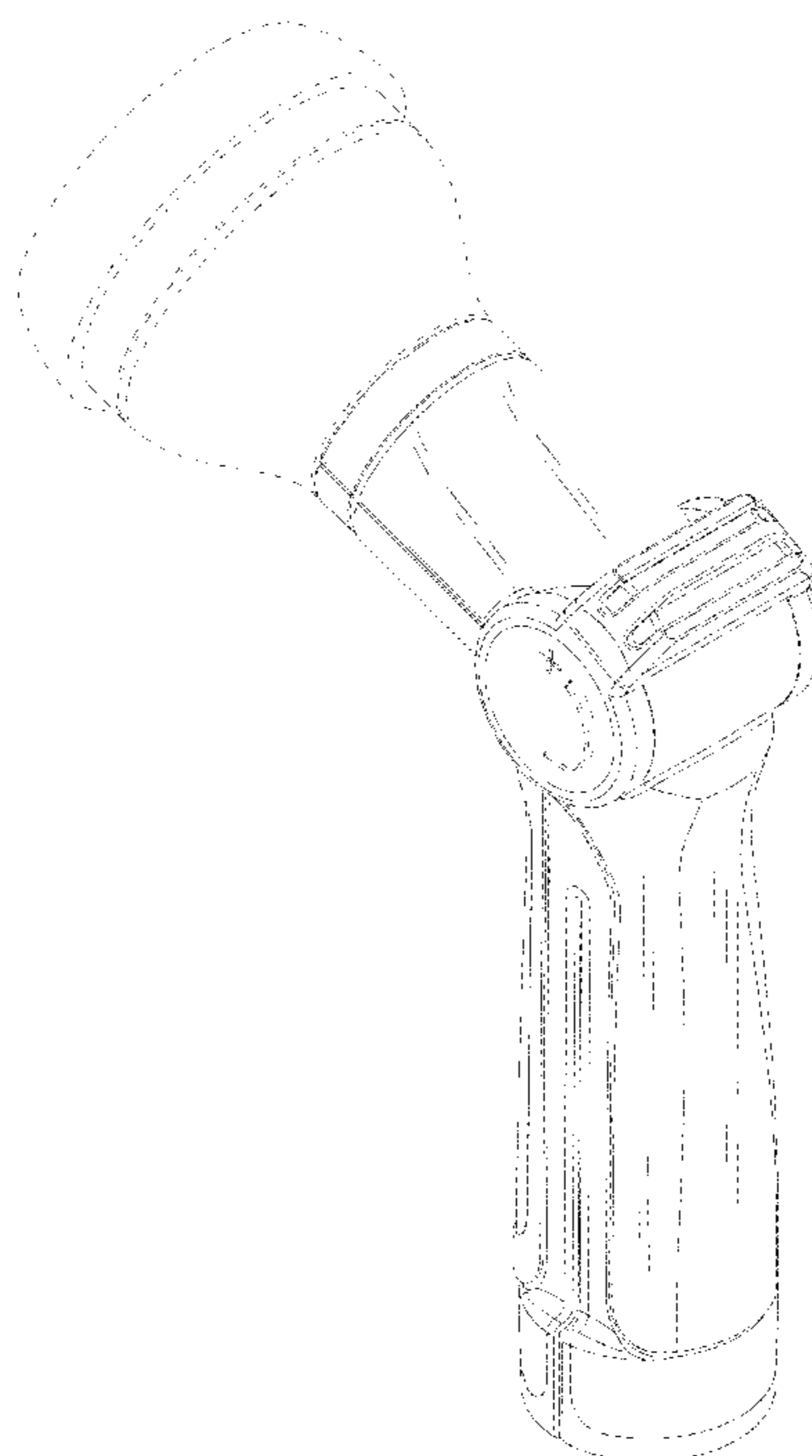
FIG. 1 is a perspective view of a sprinkler gun showing my new design;
 FIG. 2 is a left side elevational view thereof;
 FIG. 3 is a right side elevational view thereof;
 FIG. 4 is a rear elevational view thereof;
 FIG. 5 is a front elevational view thereof;
 FIG. 6 is a top plan view thereof; and,
 FIG. 7 is a bottom plan view thereof.
 Portions of the sprinkler gun are shown in broken lines for illustrative purposes and form no part of the claimed design.

1 Claim, 7 Drawing Sheets

(56) **References Cited**

U.S. PATENT DOCUMENTS

D290,993 S *	7/1987	Clivio	D23/226
D417,483 S *	12/1999	Cornford	D23/213
D532,077 S *	11/2006	Chen	D23/213
D547,419 S *	7/2007	Chen	D23/213
D547,901 S *	7/2007	Lo	D23/226
D548,392 S *	8/2007	Lo	D23/226
D554,231 S *	10/2007	Chih	D23/213
D604,390 S *	11/2009	Cheng	D23/223
D663,013 S *	7/2012	Chen	D23/226



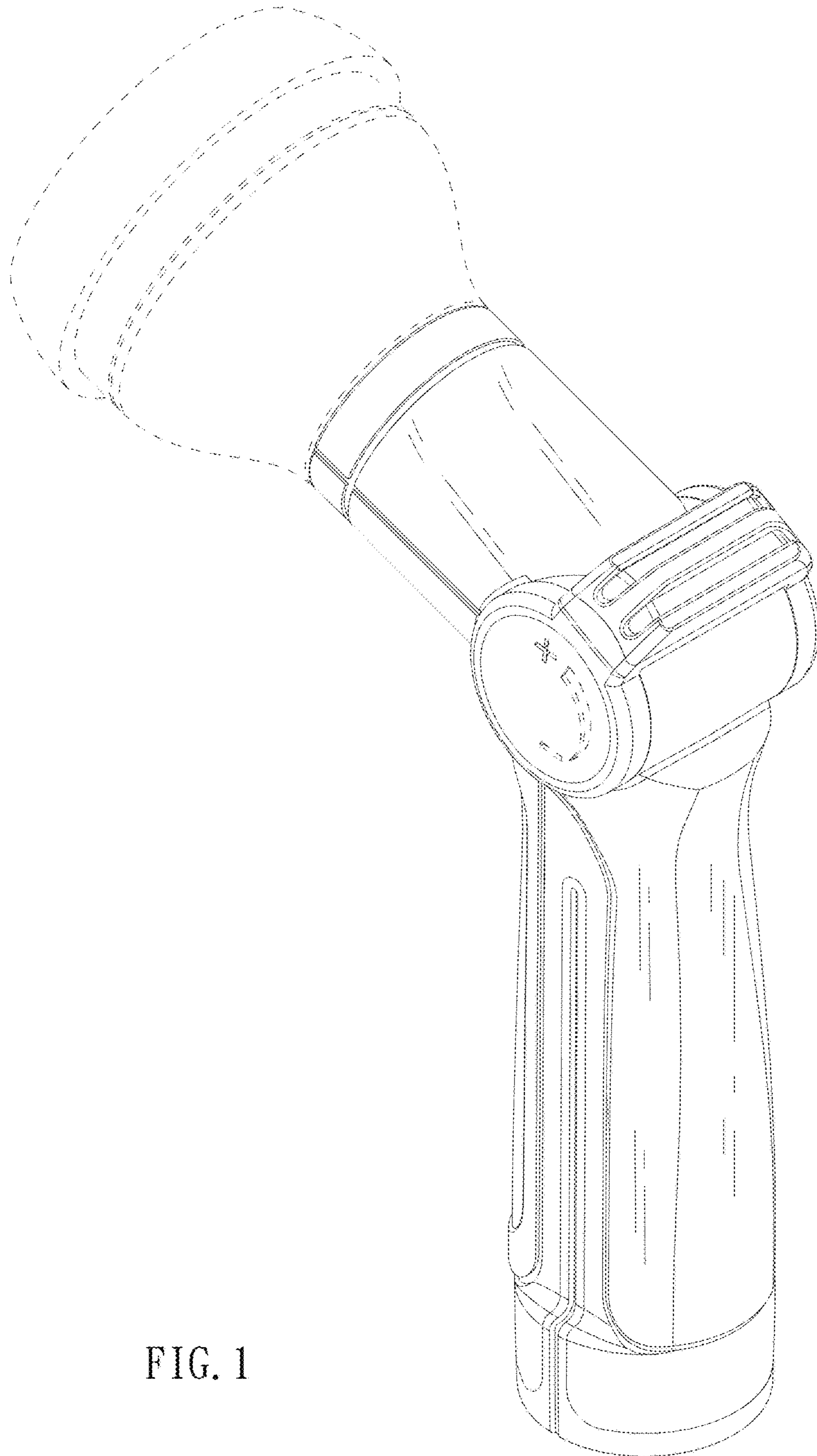


FIG. 1

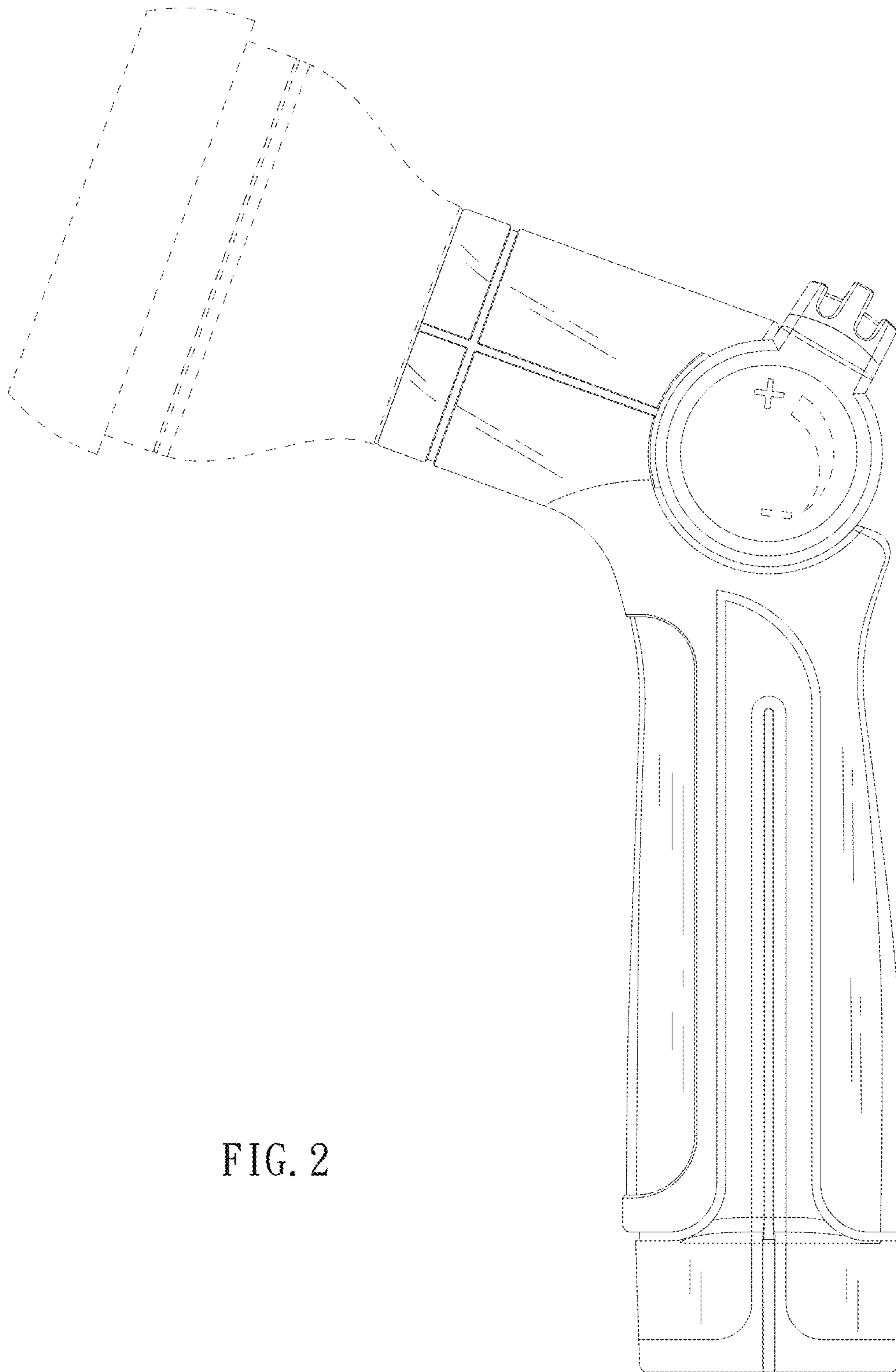


FIG. 2

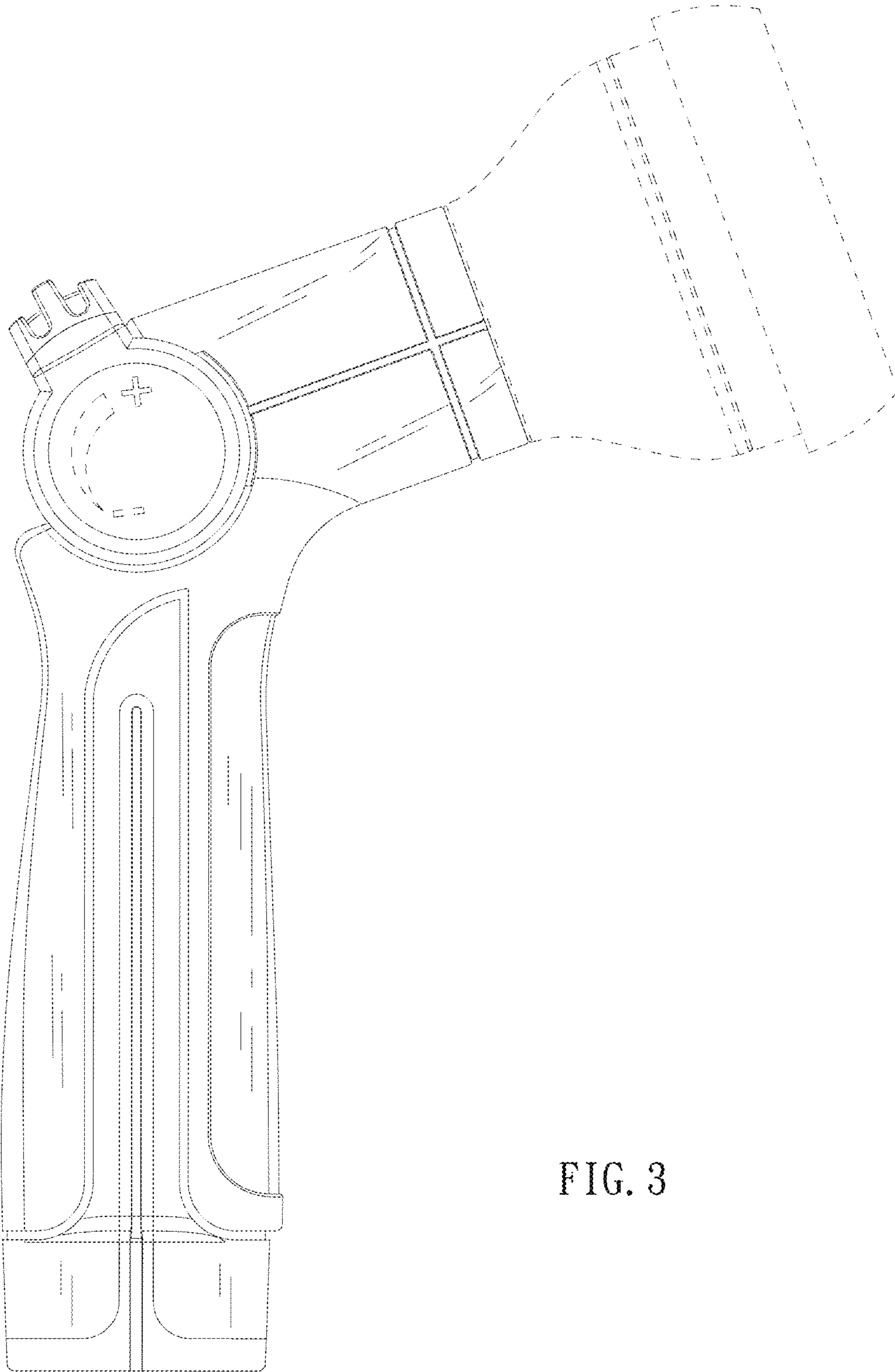


FIG. 3

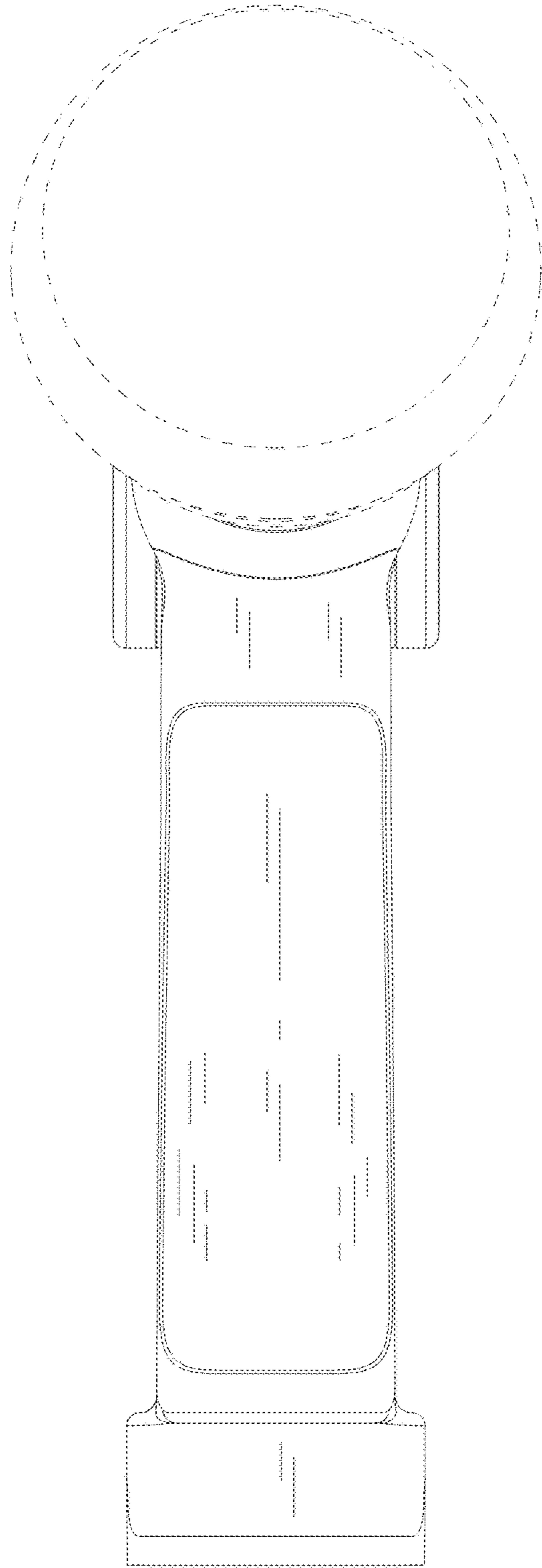


FIG. 4

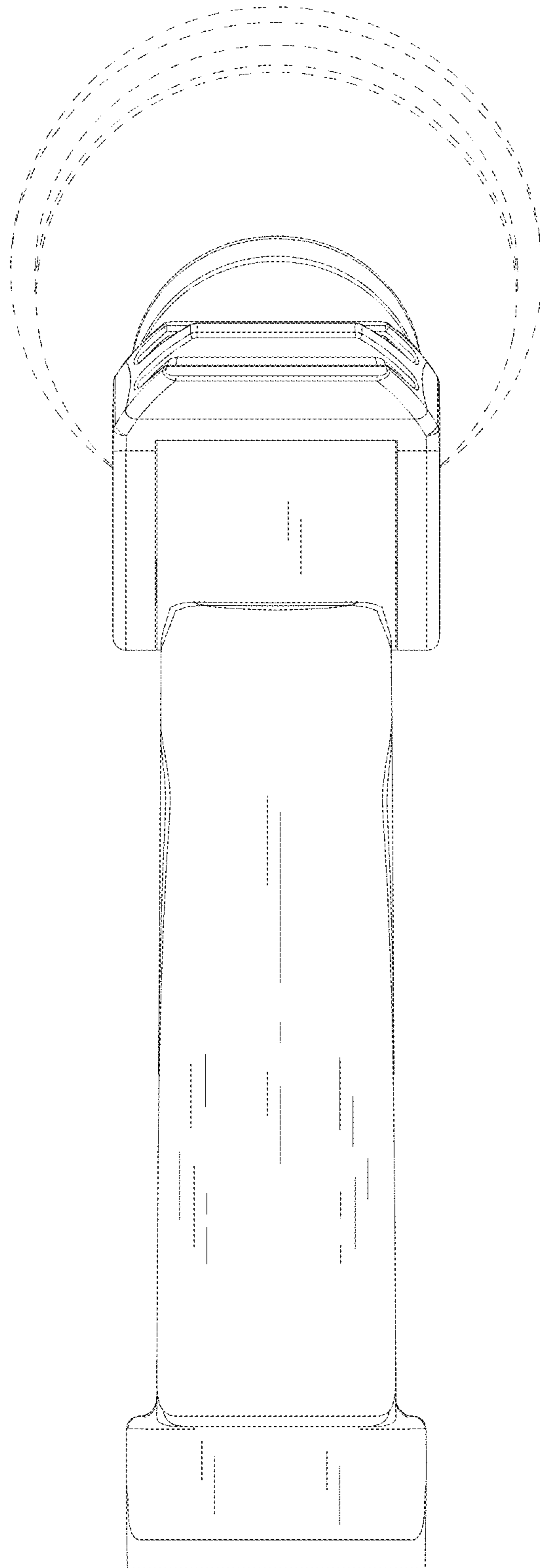


FIG. 5

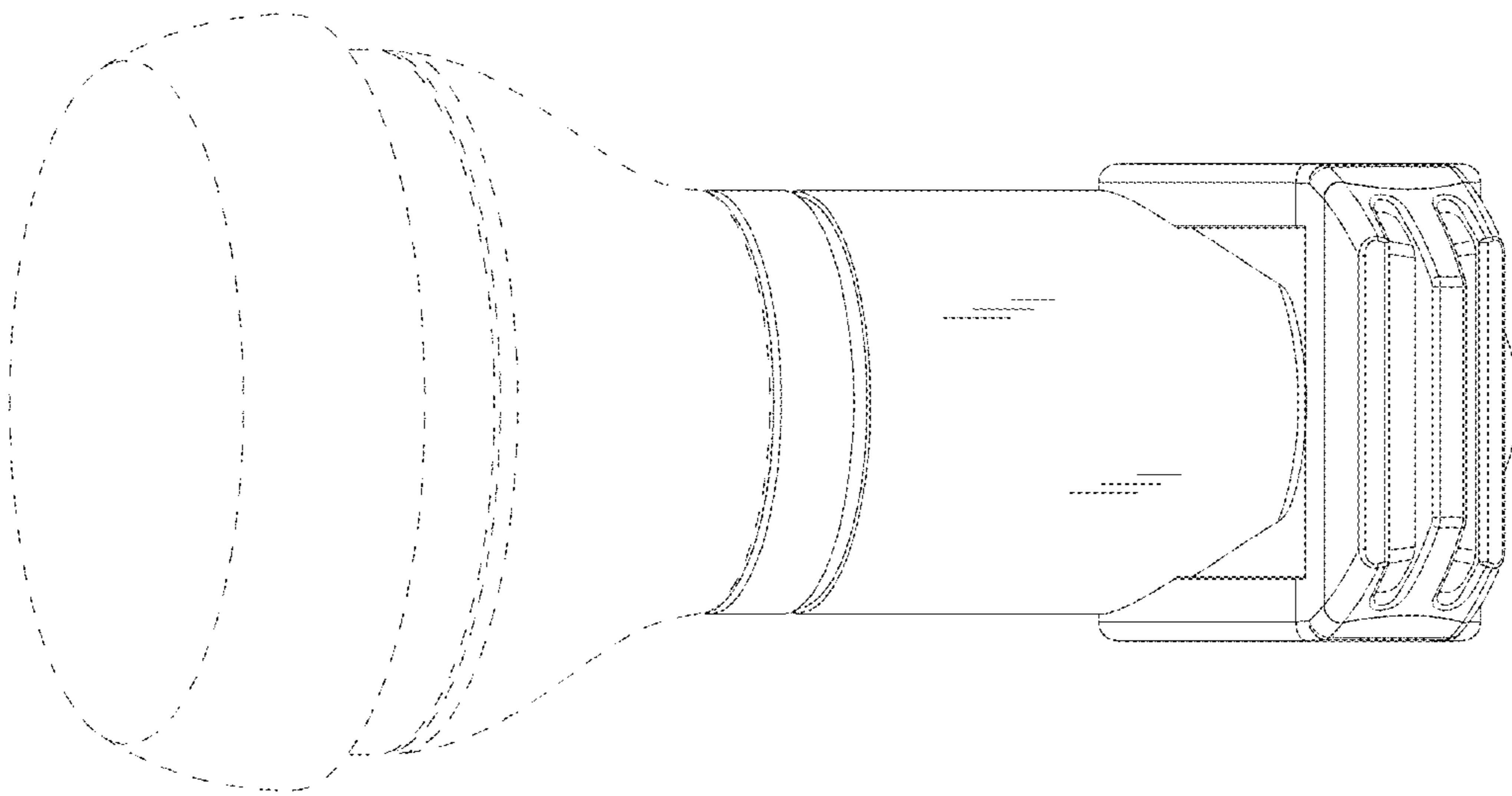


FIG. 6

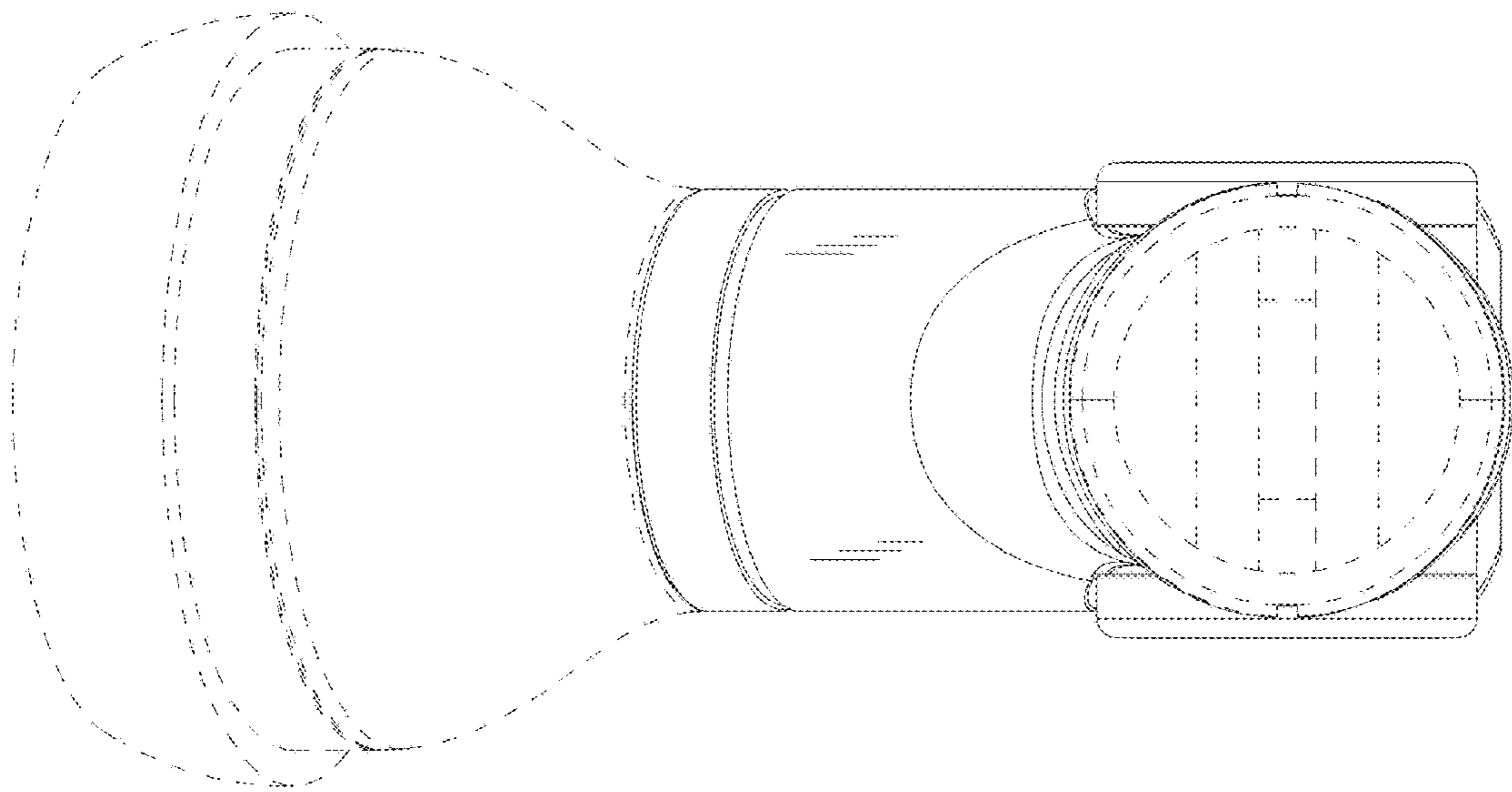


FIG. 7