

US00D792942S

(12) **United States Design Patent** (10) **Patent No.:** **US D792,942 S**
Adey et al. (45) **Date of Patent:** **** Jul. 25, 2017**

(54) **FILTER** 5,203,891 A * 4/1993 Lema B01D 45/12
55/460
(71) Applicant: **Adey Holdings (2008) Limited,** 5,257,525 A 11/1993 Clarke
Cheltenham (GB) D454,614 S * 3/2002 Marston D23/207
D654,558 S * 2/2012 Zeng D23/208
(72) Inventors: **Christopher Adey,** Cheltenham (GB); D675,705 S * 2/2013 Mallol D23/207
Matthew Taylor, Cheltenham (GB); D705,390 S * 5/2014 Okazaki D23/207
Simon Downie, Cheltenham (GB) 2005/0167352 A1 8/2005 Burrows et al.
2008/0000820 A1 1/2008 Mitchell
2012/0067802 A1 3/2012 Irvin

(73) Assignee: **ADEY HOLDINGS (2008) LIMITED,**
Cheltenham (GB)

(**) Term: **15 Years**

(21) Appl. No.: **29/560,402**

(22) Filed: **Apr. 6, 2016**

Related U.S. Application Data

(63) Continuation of application No. 14/402,955, filed as application No. PCT/GB2013/051330 on May 21, 2013.

(51) **LOC (10) Cl.** **23-01**

(52) **U.S. Cl.**
USPC **D23/209**

(58) **Field of Classification Search**
USPC D23/207, 209; 210/223, 512.1
CPC B04C 5/14; F16L 29/007; F16R 31/00
See application file for complete search history.

(56) **References Cited**

U.S. PATENT DOCUMENTS

3,339,740 A 9/1967 Starzyk
3,696,927 A 10/1972 Jakobsson et al.
4,090,956 A * 5/1978 Benzon B04C 5/12
209/727
4,544,483 A 10/1985 Arvai
4,881,573 A 11/1989 Durant et al.
5,201,552 A 4/1993 Hohmann et al.

FOREIGN PATENT DOCUMENTS

BE 546074 A 10/1959
DE 4310795 C1 7/1994
EP 2453157 A2 5/2012
FR 2693662 A1 1/1994

(Continued)

Primary Examiner — Robin V Webster

(74) *Attorney, Agent, or Firm* — Shumaker Loop & Kendrick; Michael E. Dockins

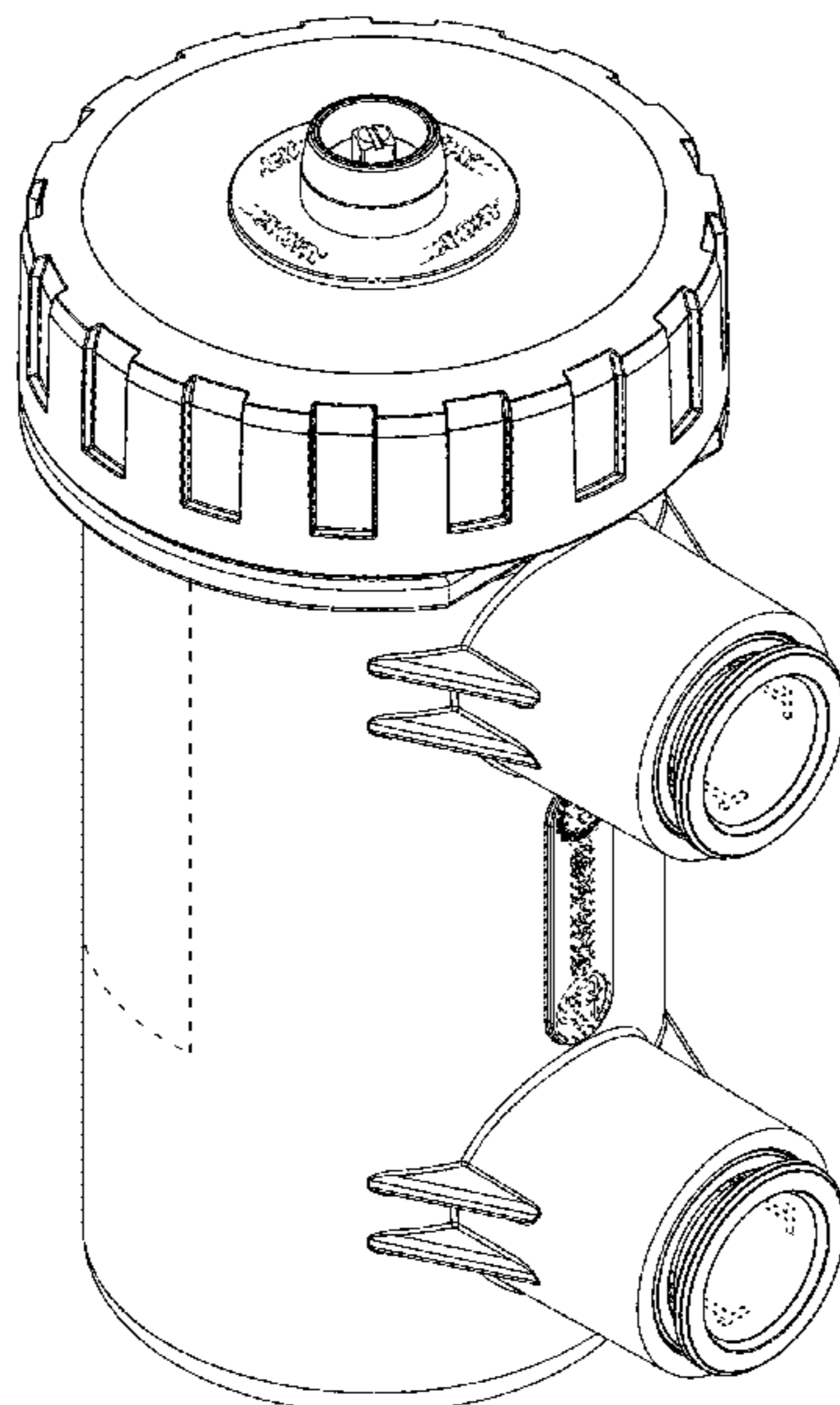
(57) **CLAIM**

The ornamental design for a filter, as shown and described.

DESCRIPTION

FIG. 1 is a front perspective view of a filter showing my new design;
FIG. 2 is a front elevational view thereof;
FIG. 3 is a rear elevational view thereof;
FIG. 4 is a left-side elevational view thereof;
FIG. 5 is a right-side elevational view thereof;
FIG. 6 is a top plan view thereof;
FIG. 7 is a bottom plan view thereof; and,
FIG. 8 is a rear perspective view thereof.
The ornamental design which is claimed is shown in solid lines in the drawings. Features and portions in broken lines are presented for illustrative purposes and form no part of the claimed design.

1 Claim, 8 Drawing Sheets



(56)

References Cited

FOREIGN PATENT DOCUMENTS

GB	274729	A	7/1927
GB	737822	A	10/1955
GB	2349685	A	11/2000
GB	2469145	A	10/2010
GB	2491246	A	11/2012
WO	8402855	A1	8/1984
WO	9942198	A1	8/1999
WO	0045937	A1	8/2000
WO	2012073029	A1	6/2012

* cited by examiner

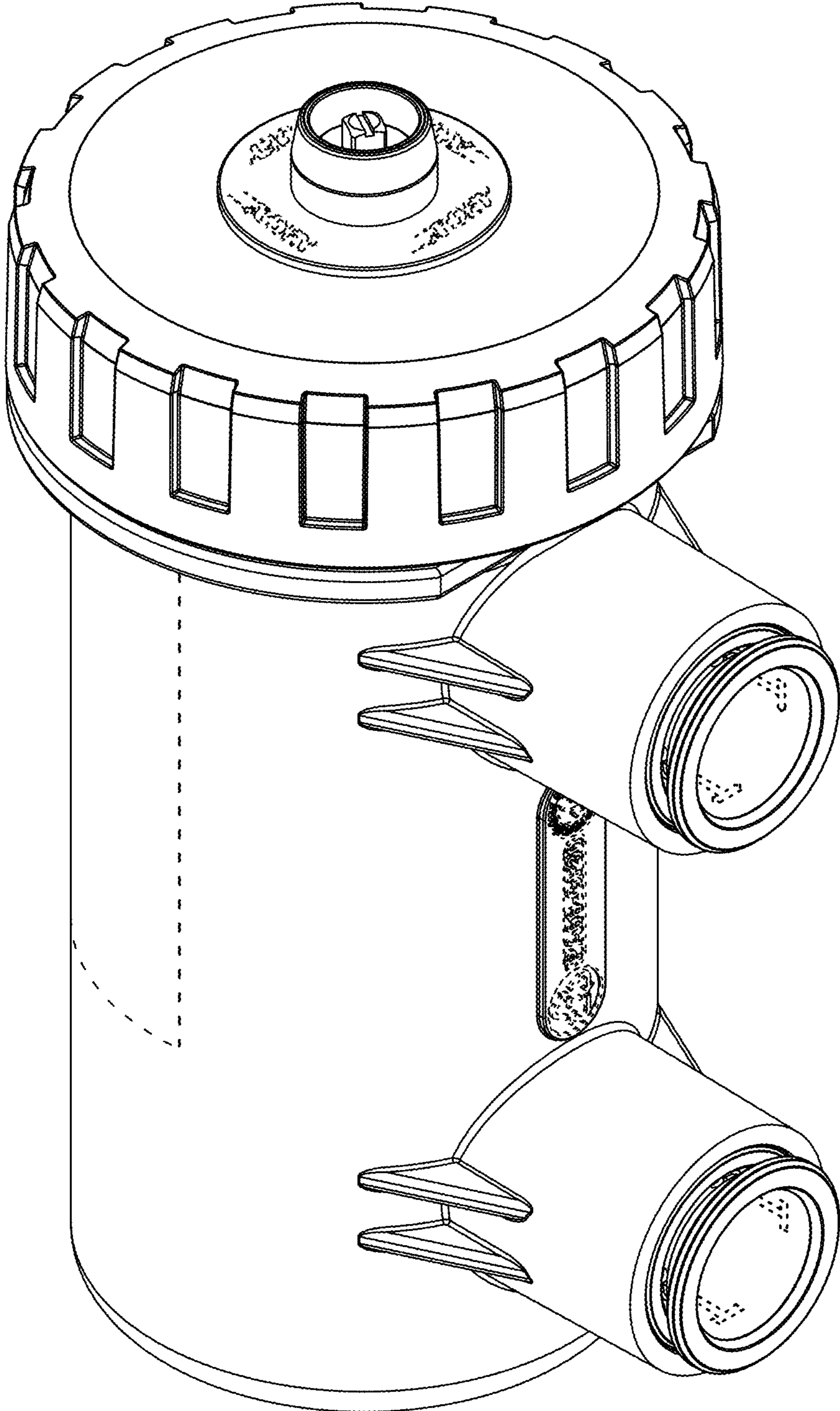


FIG. 1

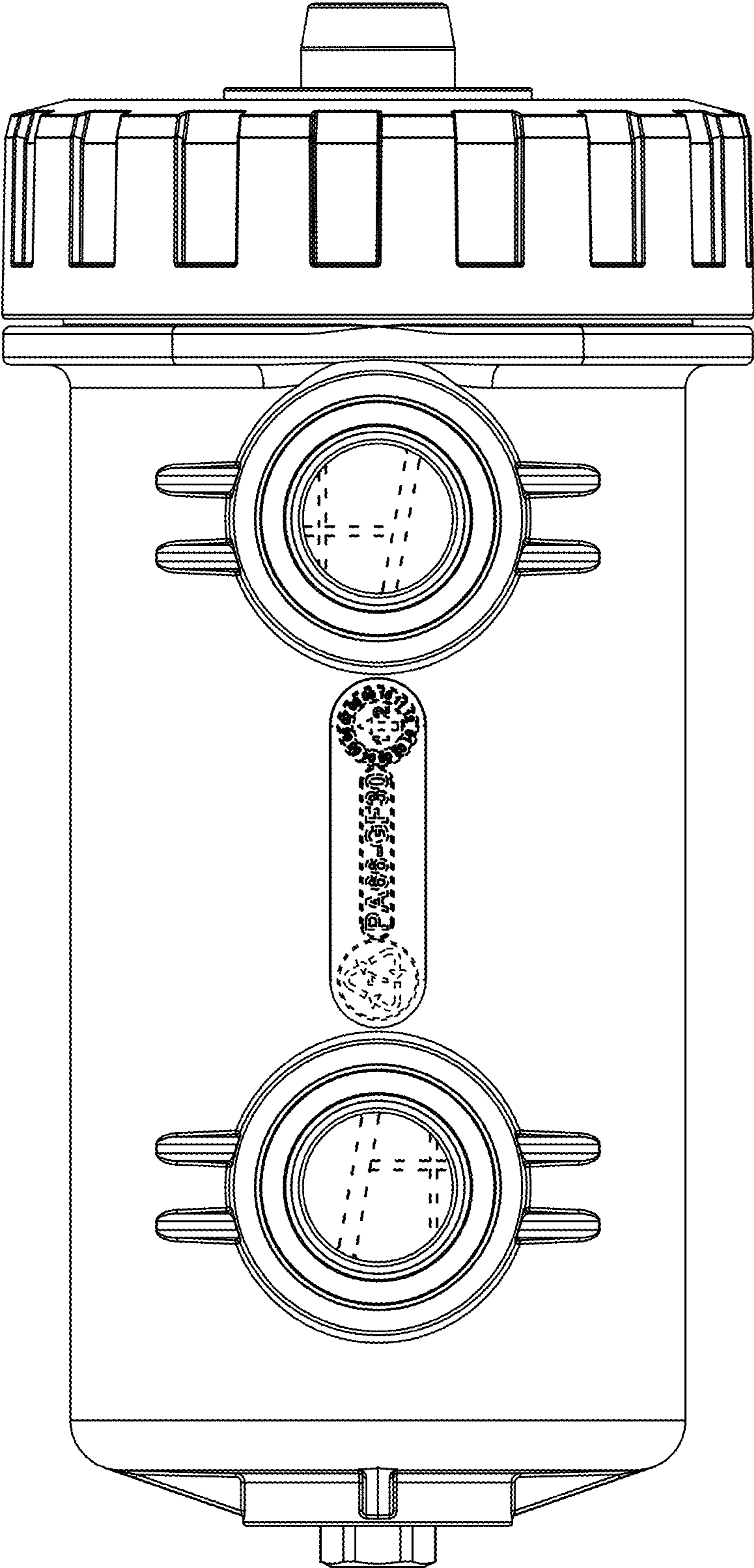


FIG. 2

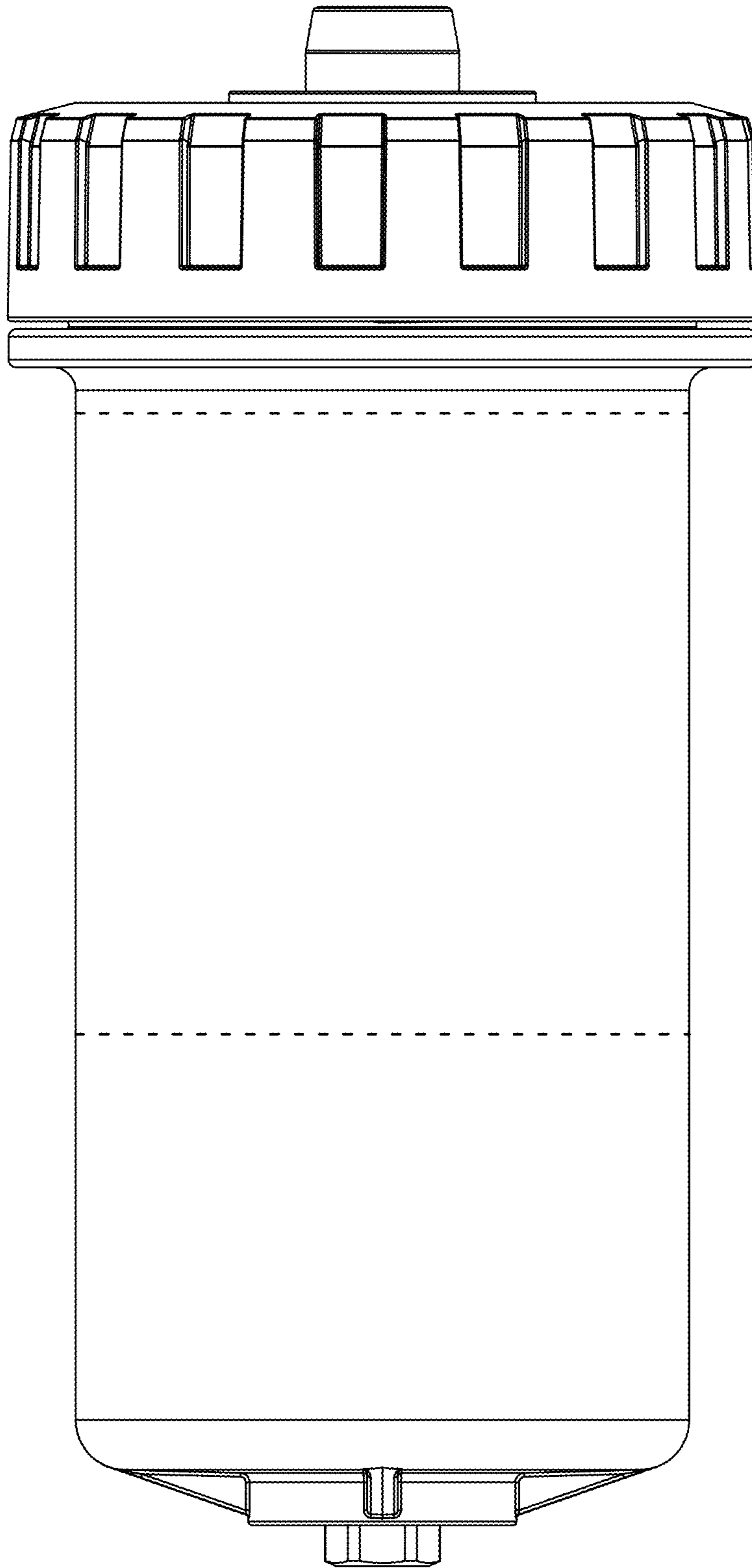


FIG. 3

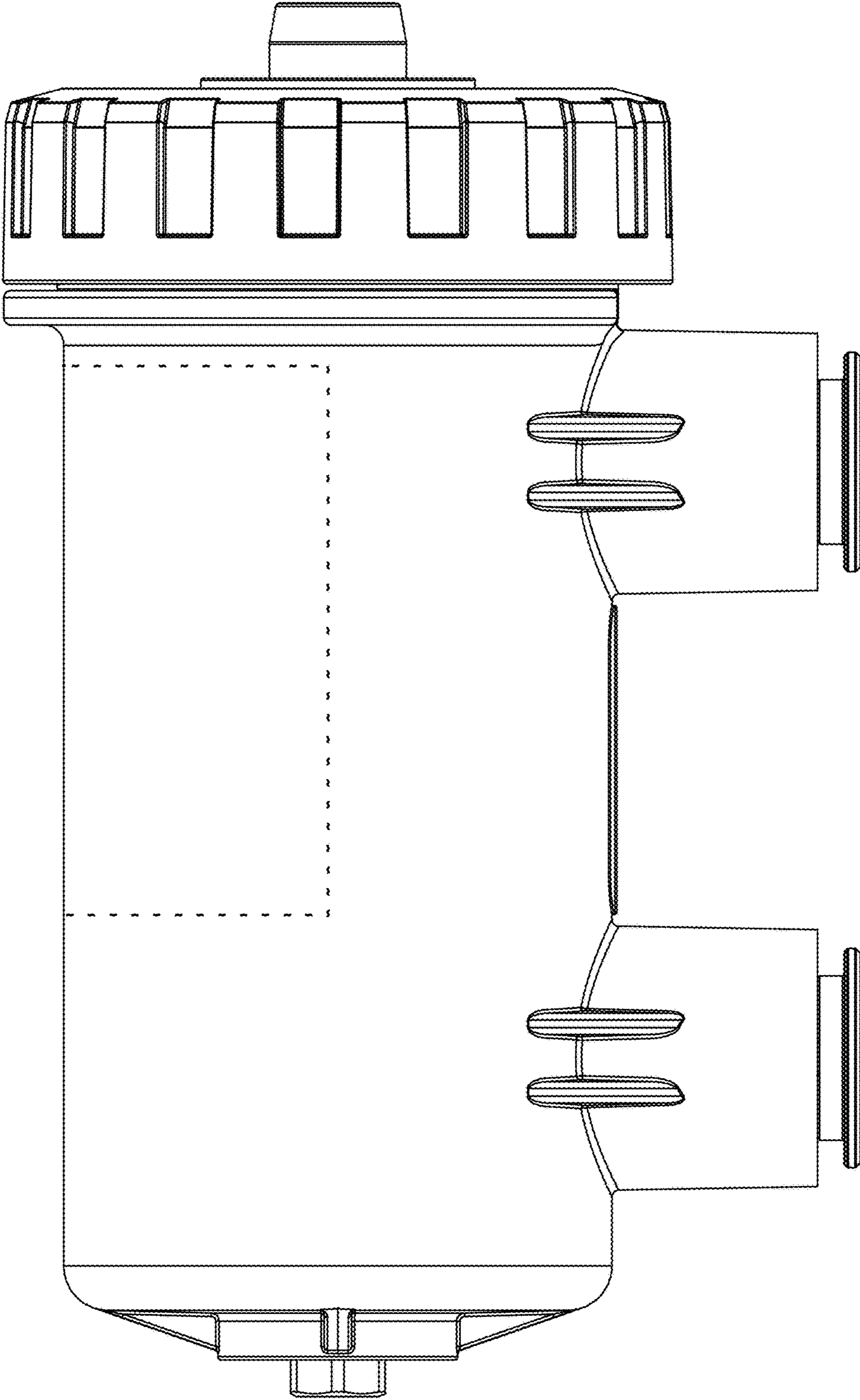


FIG. 4

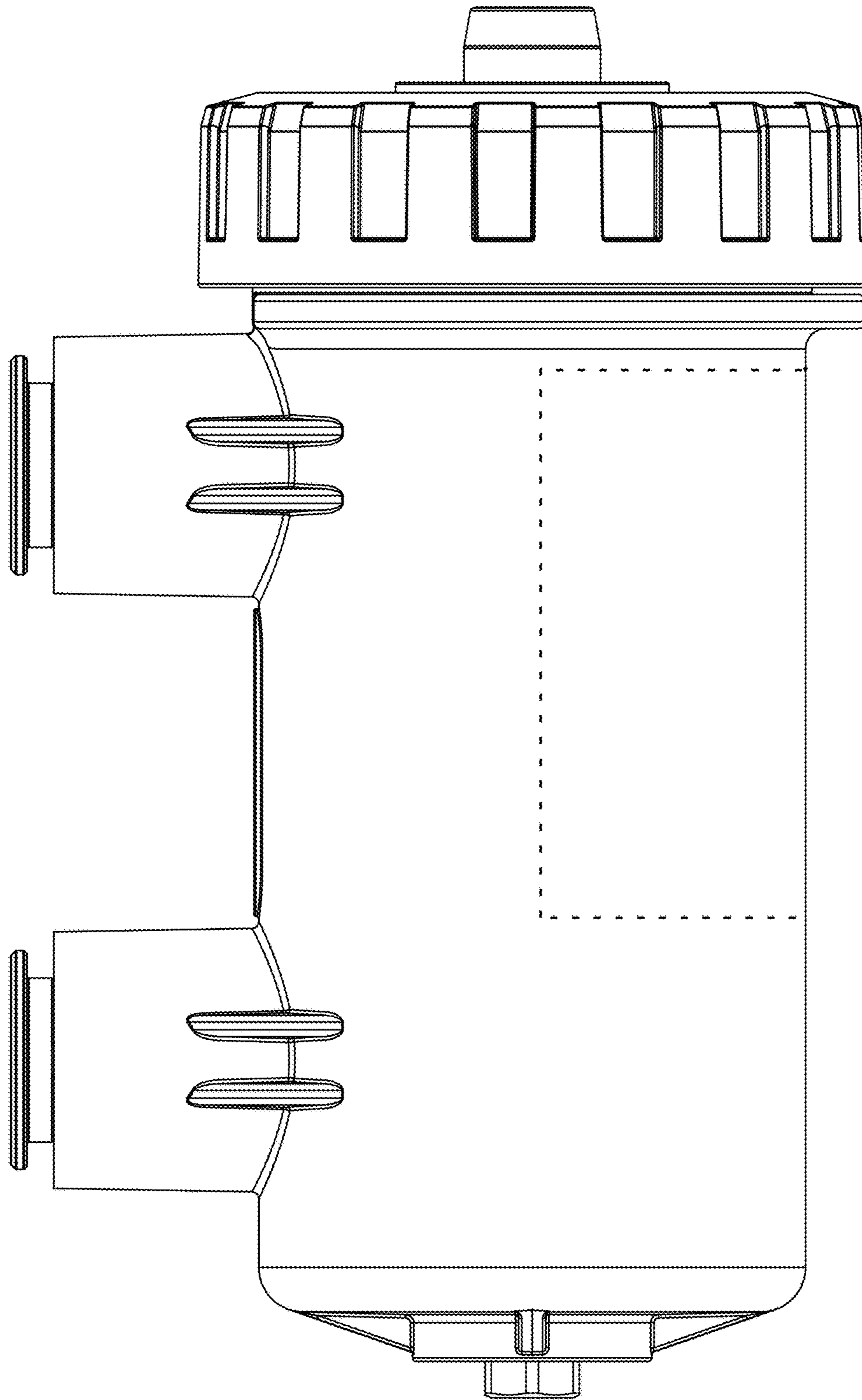


FIG. 5

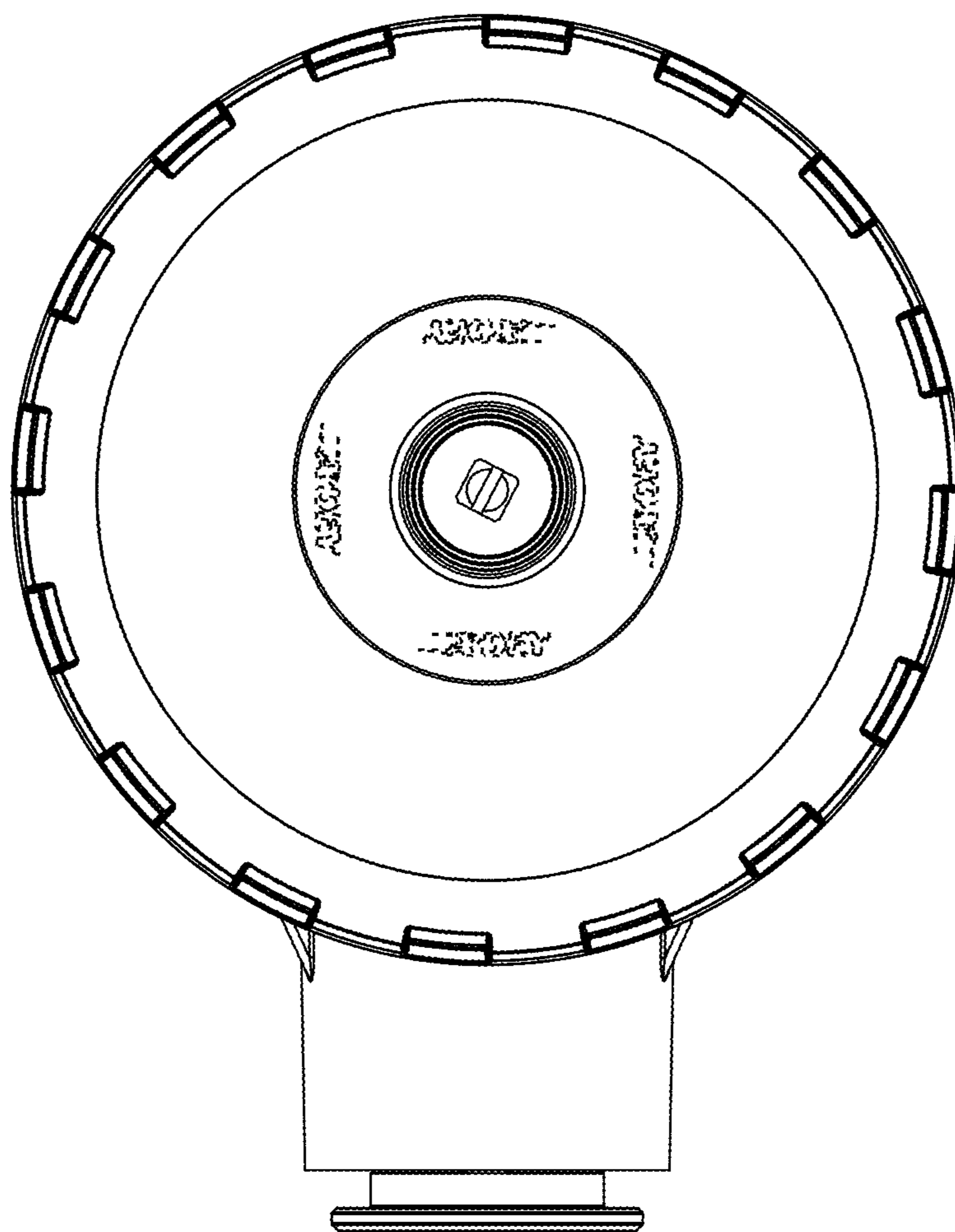


FIG. 6

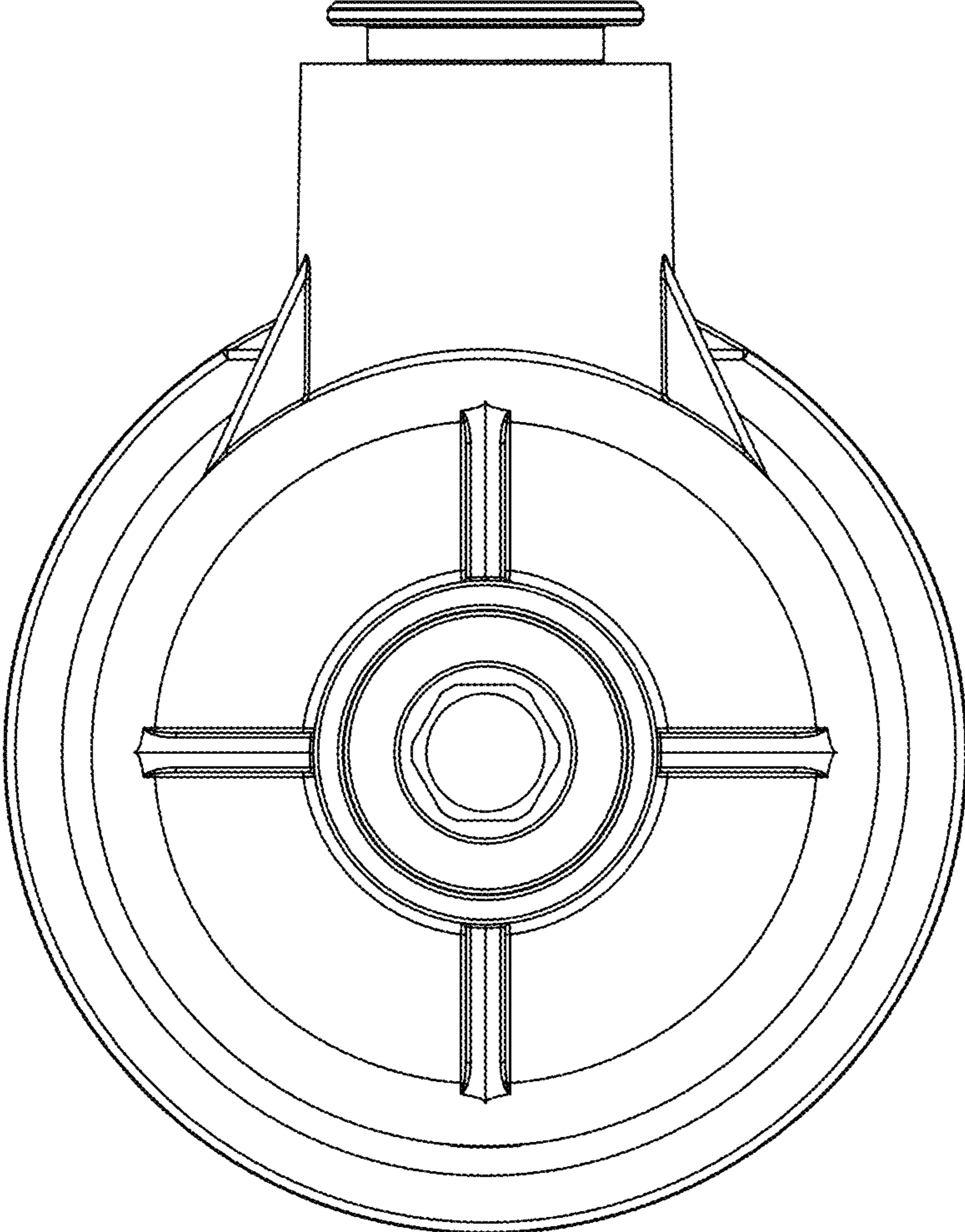


FIG. 7

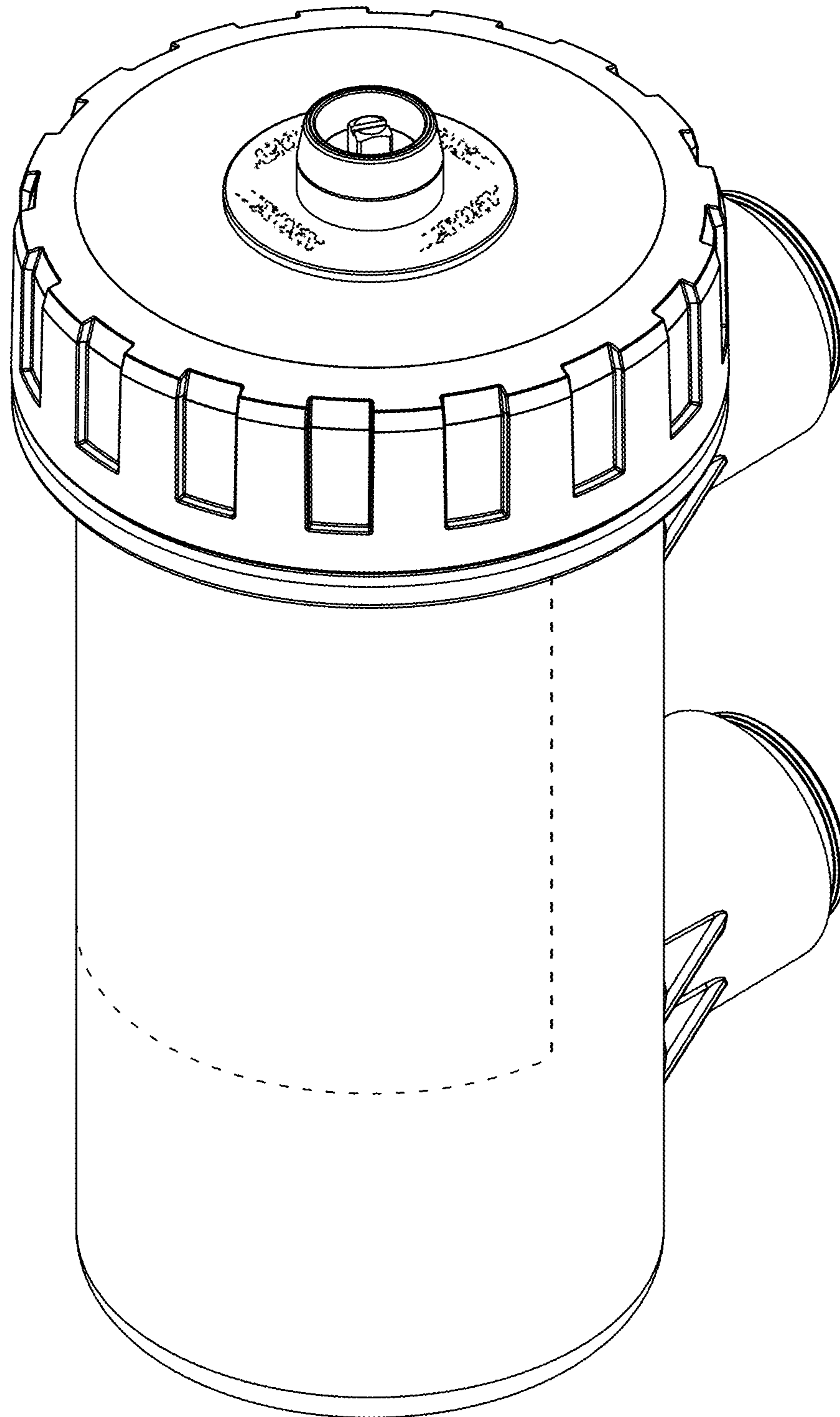


FIG. 8

UNITED STATES PATENT AND TRADEMARK OFFICE
CERTIFICATE OF CORRECTION

PATENT NO. : D792,942 S
APPLICATION NO. : 29/560402
DATED : July 25, 2017
INVENTOR(S) : Christopher Adey, Matthew Taylor and Simon Downie

Page 1 of 1

It is certified that error appears in the above-identified patent and that said Letters Patent is hereby corrected as shown below:

Item (73) should read:
ADEY HOLDINGS (2008) LIMITED

Signed and Sealed this
Seventeenth Day of October, 2017



Joseph Matal
*Performing the Functions and Duties of the
Under Secretary of Commerce for Intellectual Property and
Director of the United States Patent and Trademark Office*