



US00D792941S

(12) **United States Design Patent**
Rummel et al.

(10) **Patent No.:** **US D792,941 S**
(45) **Date of Patent:** **** Jul. 25, 2017**

(54) **FILTER CARTRIDGE**
(71) Applicant: **BRITA GMBH**, Taunusstein (DE)
(72) Inventors: **Christian Rummel**, Benningen (DE);
Tim Storti, Schwieberdingen (DE)
(73) Assignee: **BRITA GMBH**, Taunusstein (DE)
(**) Term: **15 Years**

6,558,542 B2 * 5/2003 Cyrson B01D 29/01
210/209
D501,912 S * 2/2005 Tanner D23/209
7,615,152 B2 * 11/2009 Tanner B01D 39/2058
210/257.1
7,722,761 B2 * 5/2010 Moretto C02F 1/003
210/109
D751,168 S * 3/2016 Takeda D23/207
D751,169 S * 3/2016 Takeda D23/207
D770,010 S * 10/2016 Poindexter D23/209

* cited by examiner

(21) Appl. No.: **29/558,527**

Primary Examiner — Robin V Webster

(22) Filed: **Mar. 18, 2016**

(74) *Attorney, Agent, or Firm* — Hudak, Shunk & Farine
Co. LPA

(30) **Foreign Application Priority Data**

Sep. 22, 2015 (DE) 40 2015 001 539

(51) **LOC (10) Cl.** **23-01**

(52) **U.S. Cl.**
USPC **D23/209**

(58) **Field of Classification Search**
USPC D23/207, 209; 210/232, 234, 235, 236,
210/244, 497.01, 266, 282
CPC B01D 35/30; B01D 35/153; B01D 29/111;
C02F 1/003
See application file for complete search history.

(56) **References Cited**

U.S. PATENT DOCUMENTS

D284,300 S * 6/1986 Hodgkins D23/209
D328,487 S * 8/1992 Woodruff D23/209

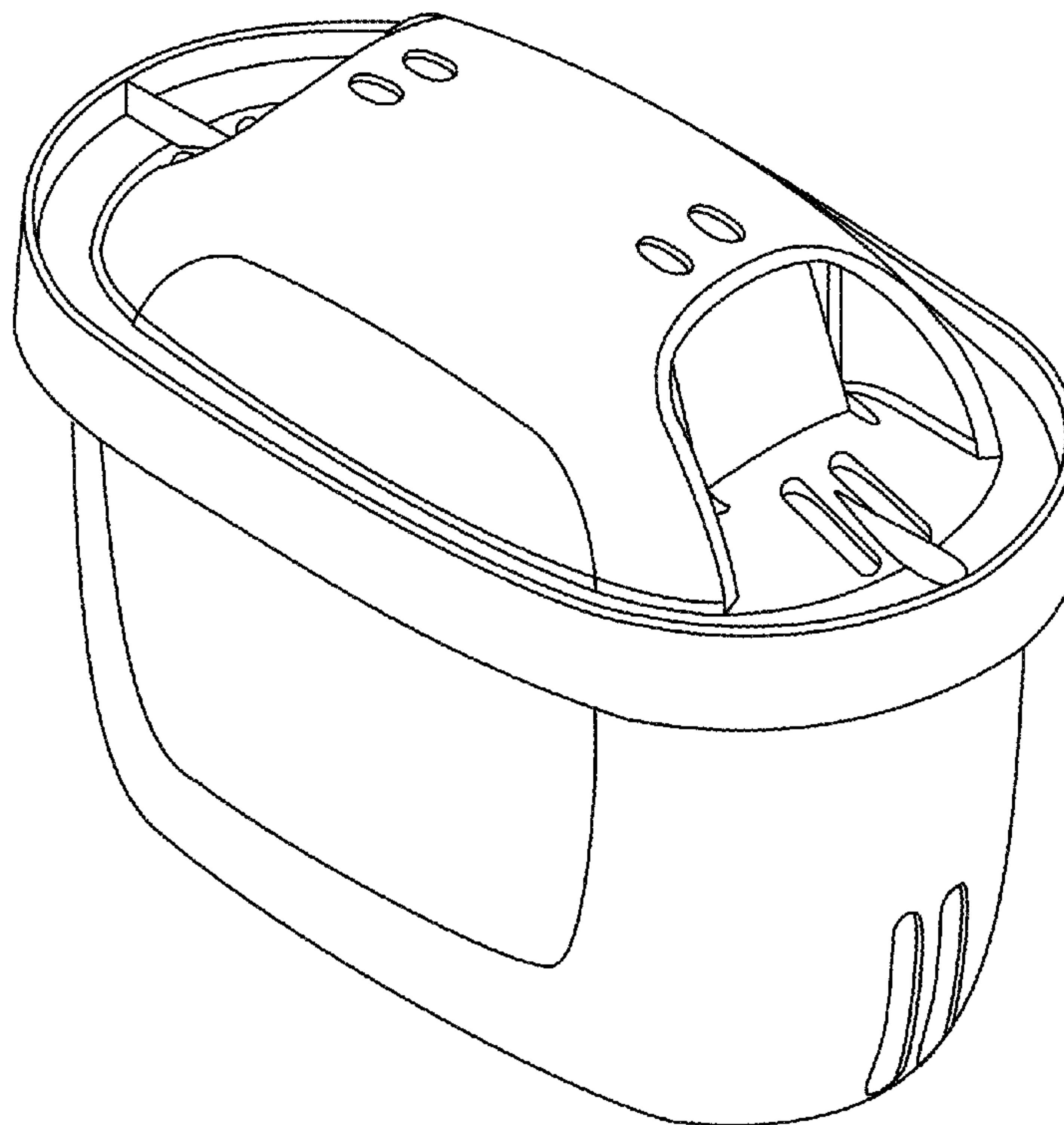
(57) **CLAIM**

The ornamental design for a “filter cartridge,” as shown and described.

DESCRIPTION

FIG. 1 is a right front perspective view of the filter cartridge showing our new design;
FIG. 2 is a right side view thereof;
FIG. 3 is a left side view thereof;
FIG. 4 is a front view thereof;
FIG. 5 is a rear view thereof;
FIG. 6 is a top view thereof; and,
FIG. 7 is a bottom view thereof.
The broken lines in the drawings are for the purpose of illustrating environment and form no part of the claimed design.

1 Claim, 7 Drawing Sheets



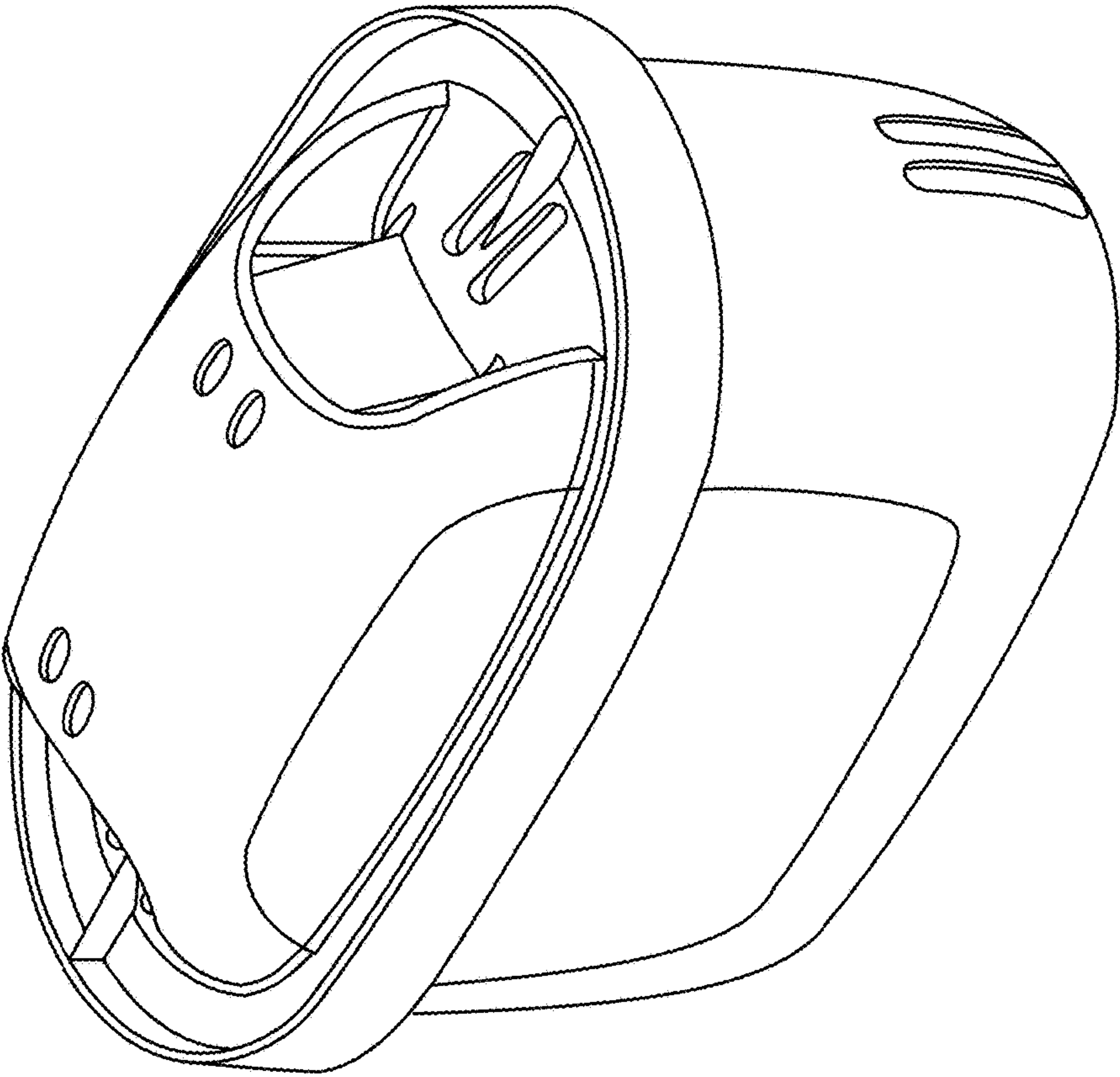


Fig. 1

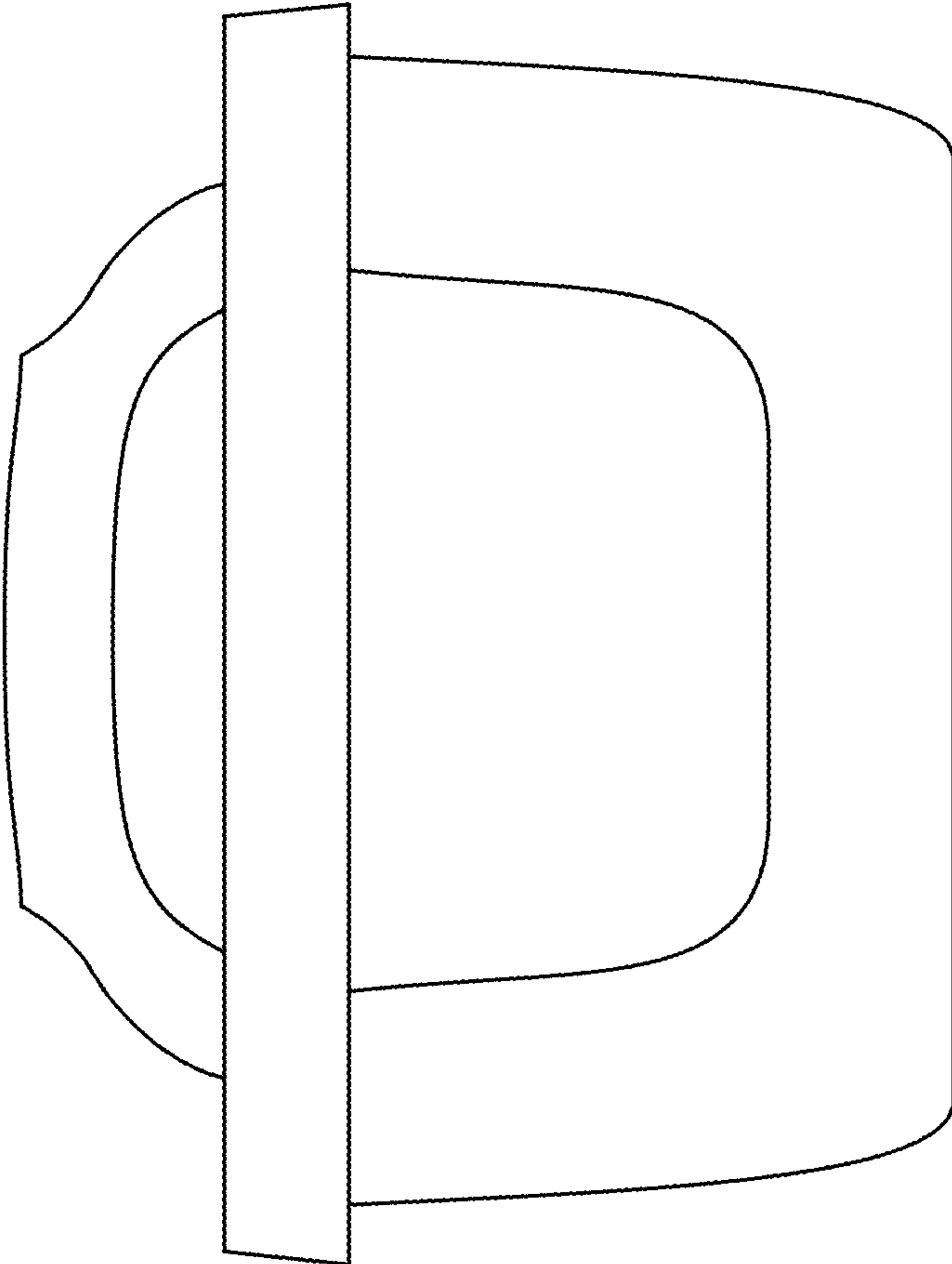


Fig. 2

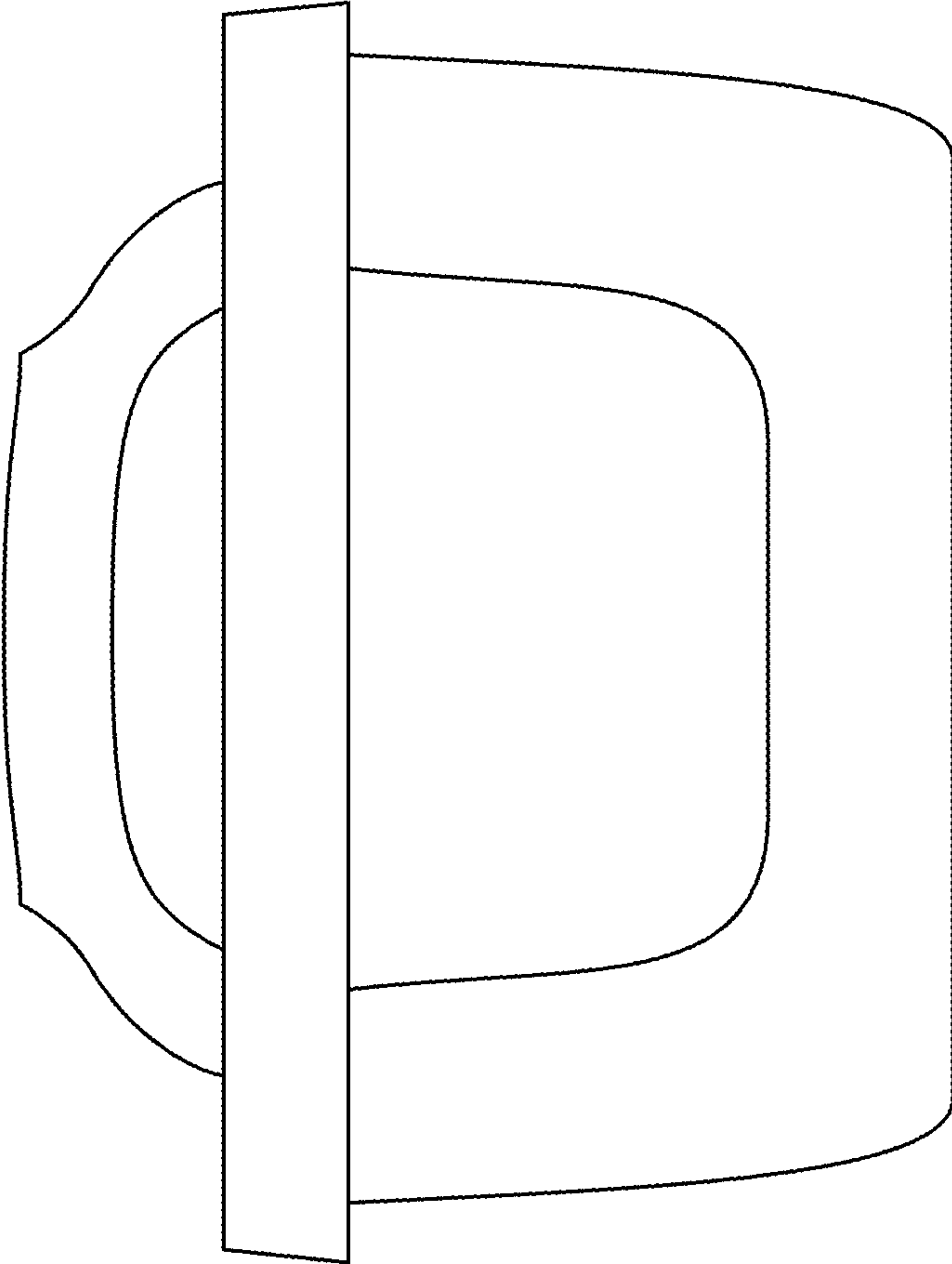


Fig. 3

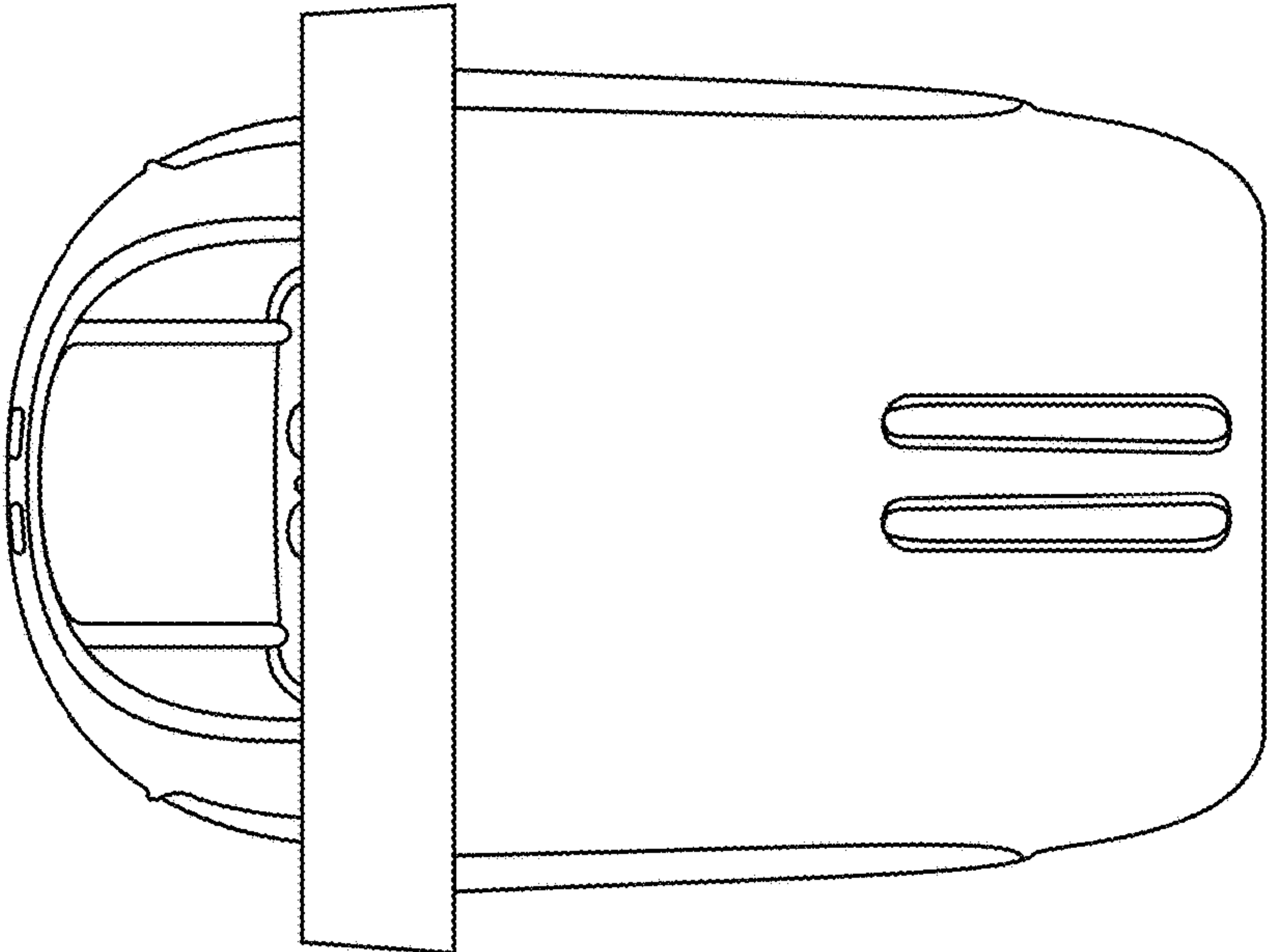


Fig. 4

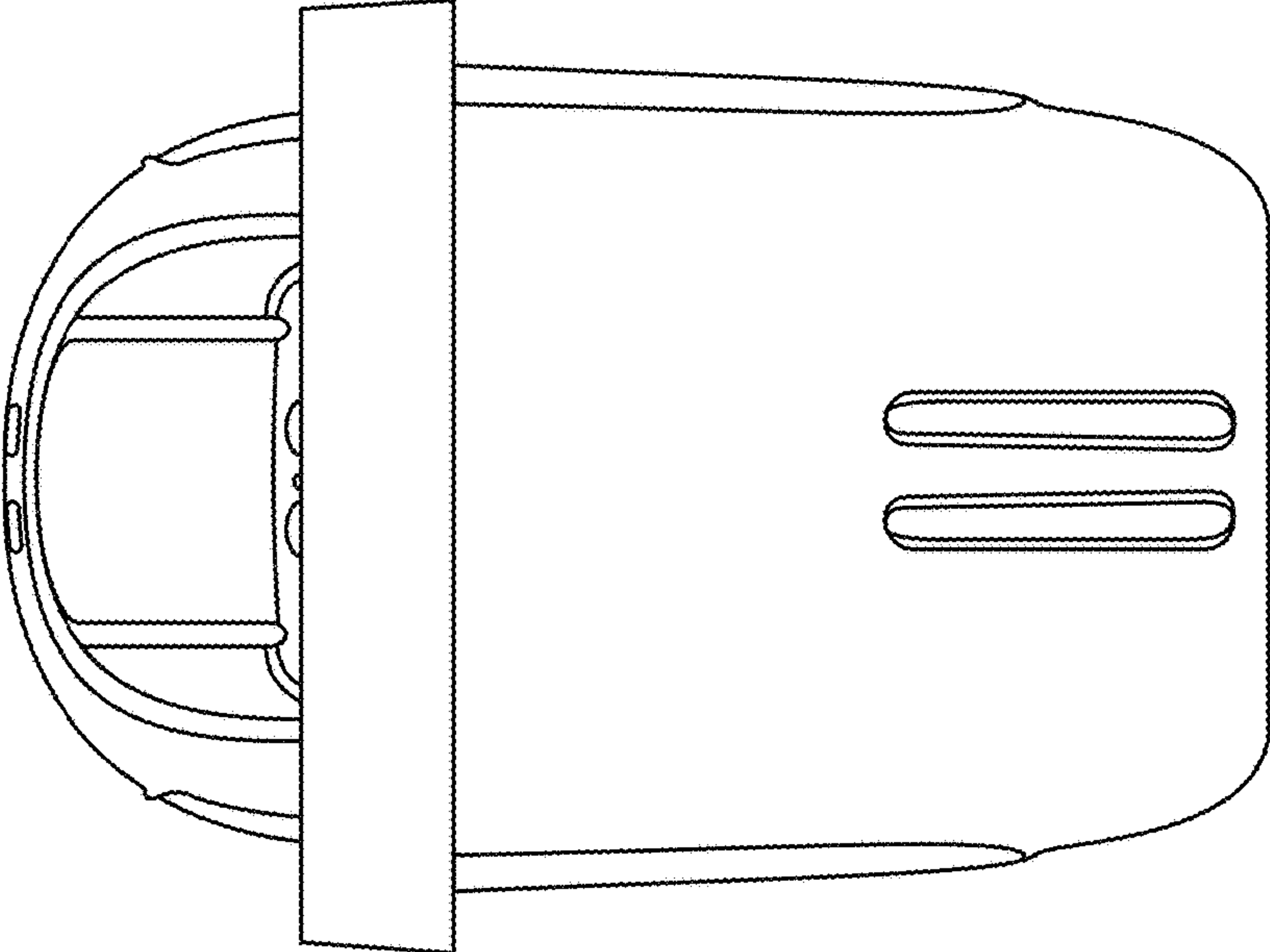


Fig. 5

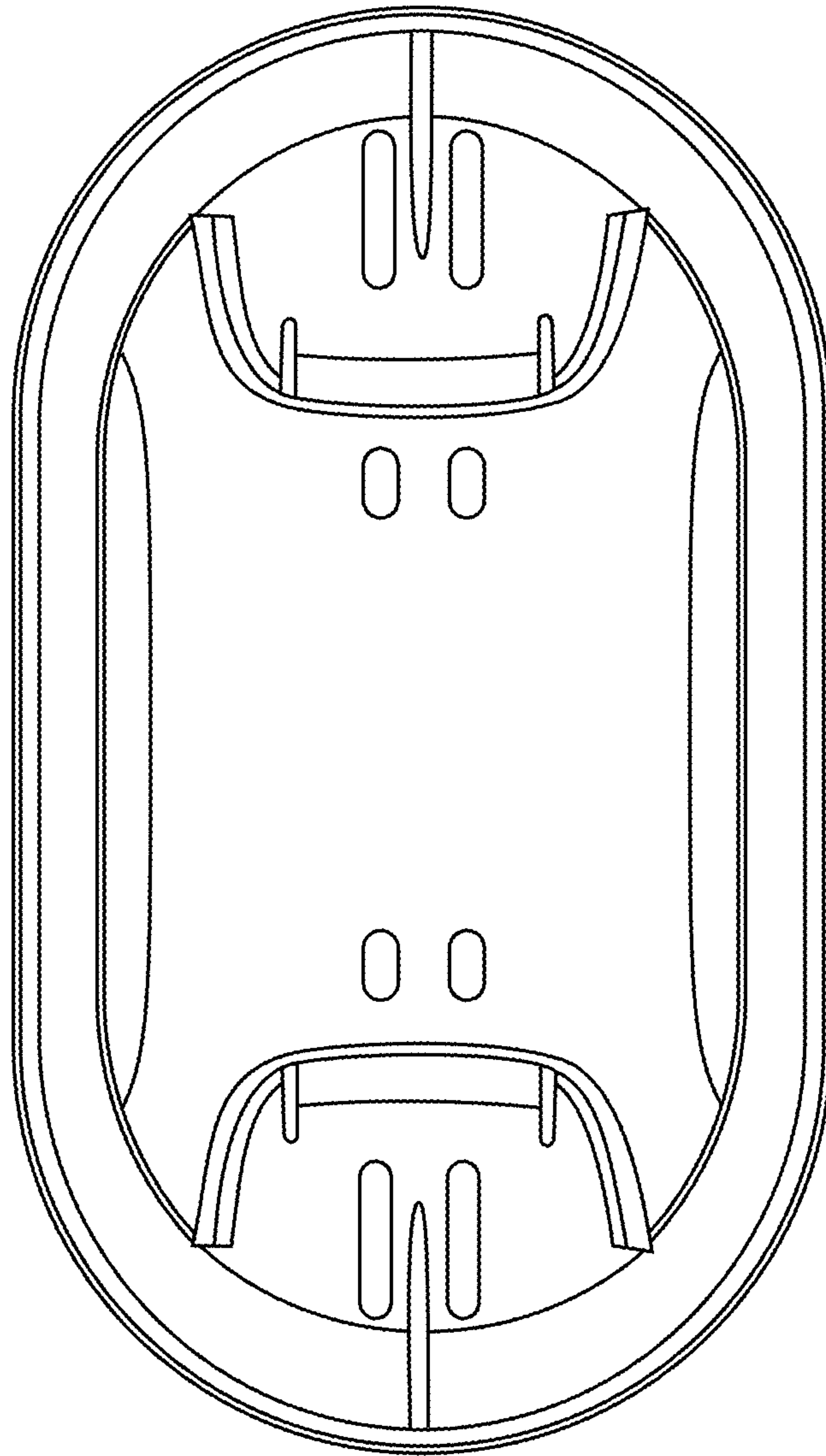


Fig. 6

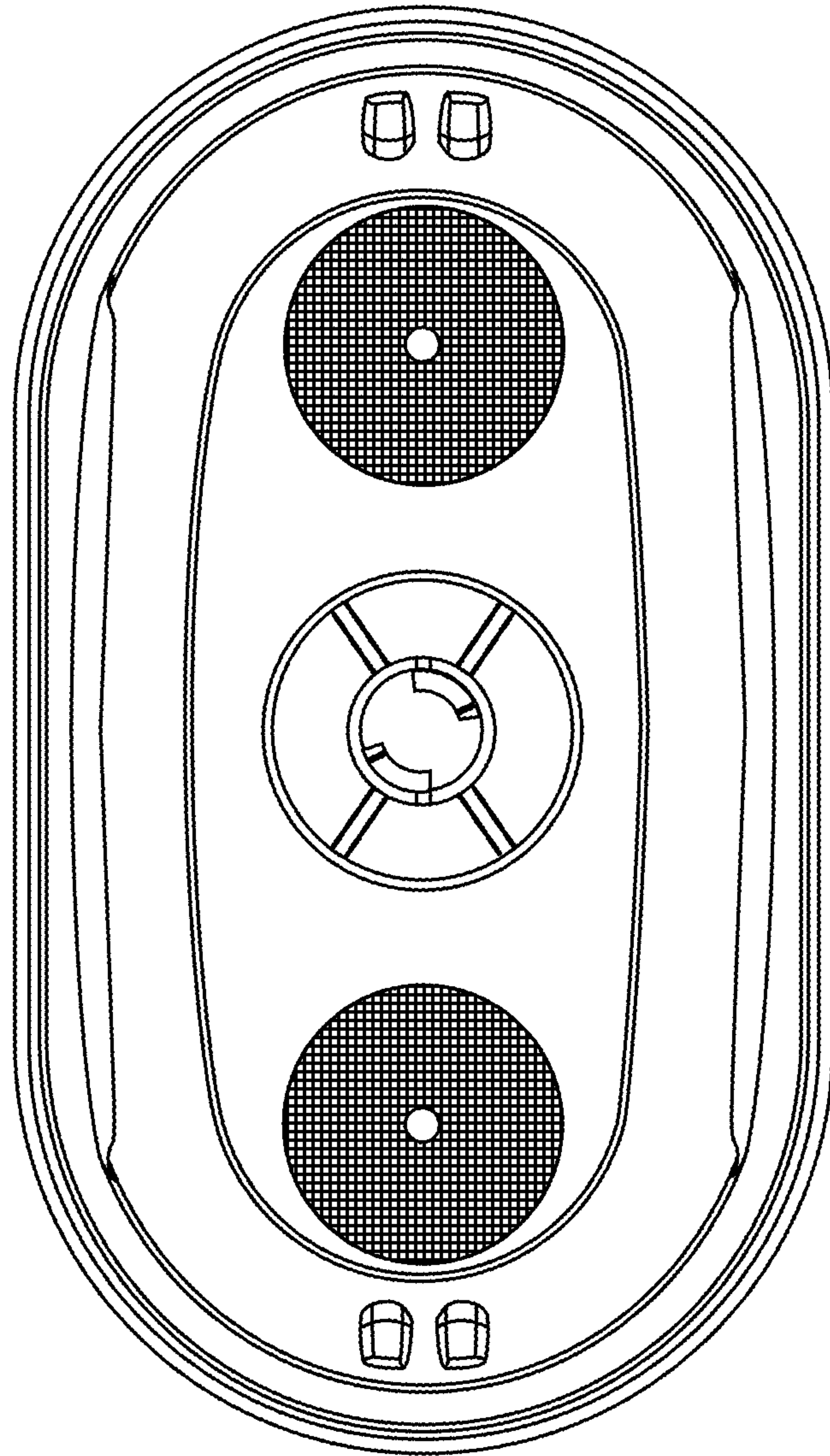


Fig. 7