



US00D792939S

(12) **United States Design Patent**
Pröll et al.

(10) **Patent No.:** **US D792,939 S**
(45) **Date of Patent:** **** Jul. 25, 2017**

(54) **TELESCOPIC SIGHT FOR FIREARMS**

(71) Applicant: **SWAROVSKI-OPTIK KG.**, Absam (AT)

(72) Inventors: **Julian Pröll**, Linz (AT); **Daniel Wilhelm**, Linz (AT); **Mario Zeppetzauer**, Linz (AT)

(73) Assignee: **SWAROVSKI-OPTIK KG.**, Absam (AT)

(**) Term: **15 Years**

(21) Appl. No.: **35/500,752**

(22) Filed: **Mar. 2, 2016**

(80) **Hague Agreement Data**

Int. Filing Date: **Mar. 2, 2016**
Int. Reg. No.: **DM/089724**
Int. Reg. Date: **Mar. 2, 2016**
Int. Reg. Pub. Date: **Mar. 25, 2016**

(51) **LOC (10) Cl.** **22-01**

(52) **U.S. Cl.**
USPC **D22/109**

(58) **Field of Classification Search**
USPC D22/108-109; D16/132, 130, 133, 330, D16/134

(Continued)

(56) **References Cited**

U.S. PATENT DOCUMENTS

4,742,635 A * 5/1988 Ruger F41A 21/482
42/124
D417,679 S * 12/1999 Cross D16/132
(Continued)

Primary Examiner — Michael A Pratt

(74) *Attorney, Agent, or Firm* — Collard & Roe, P.C.

(57) **CLAIM**

The ornamental design for a telescopic sight for firearms, as shown and described.

DESCRIPTION

FIG. 1.1 is a top, front and left side perspective view of a first embodiment of a telescopic sight for firearms showing our new design;

FIG. 1.2 is a front view of the embodiment of FIG. 1.1; FIG. 1.3 is a rear view of the embodiment of FIG. 1.1; FIG. 1.4 is a left side view of the embodiment of FIG. 1.1; FIG. 1.5 is a right side view of the embodiment of FIG. 1.1; FIG. 1.6 is a top view of the embodiment of FIG. 1.1; FIG. 1.7 is a bottom view of the embodiment of FIG. 1.1; FIG. 2.1 is a top, front and left side perspective view of a second embodiment of a telescopic sight for firearms showing our new design;

FIG. 2.2 is a front view of the embodiment of FIG. 2.1; FIG. 2.3 is a rear view of the embodiment of FIG. 2.1; FIG. 2.4 is a left side view of the embodiment of FIG. 2.1; FIG. 2.5 is a right side view of the embodiment of FIG. 2.1; FIG. 2.6 is a top view of the embodiment of FIG. 2.1; FIG. 2.7 is a bottom view of the embodiment of FIG. 2.1; FIG. 3.1 is a top, front and left side perspective view of a third embodiment of a telescopic sight for firearms showing our new design;

FIG. 3.2 is a front view of the embodiment of FIG. 3.1; FIG. 3.3 is a rear view of the embodiment of FIG. 3.1; FIG. 3.4 is a left side view of the embodiment of FIG. 3.1; FIG. 3.5 is a right side view of the embodiment of FIG. 3.1; FIG. 3.6 is a top view of the embodiment of FIG. 3.1; FIG. 3.7 is a bottom view of the embodiment of FIG. 3.1; FIG. 4.1 is a top, front and left side perspective view of a fourth embodiment of a telescopic sight for firearms showing our new design;

FIG. 4.2 is a front view of the embodiment of FIG. 4.1; FIG. 4.3 is a rear view of the embodiment of FIG. 4.1; FIG. 4.4 is a left side view of the embodiment of FIG. 4.1; FIG. 4.5 is a right side view of the embodiment of FIG. 4.1; FIG. 4.6 is a top view of the embodiment of FIG. 4.1; FIG. 4.7 is a bottom view of the embodiment of FIG. 4.1;

(Continued)

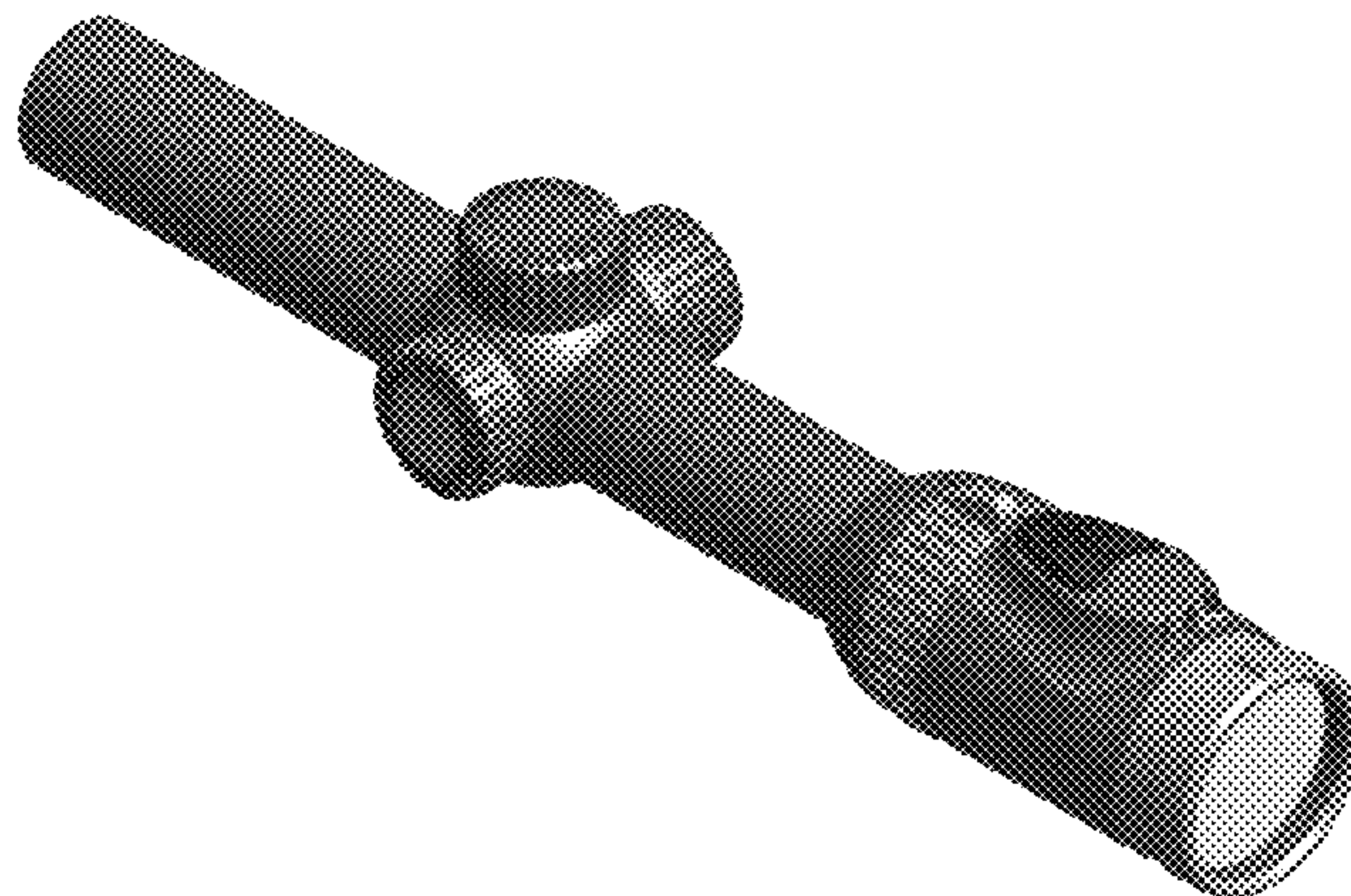


FIG. 5.1 is a top, front and left side perspective view of a fifth embodiment of a telescopic sight for firearms showing our new design;

FIG. 5.2 is a front view of the embodiment of FIG. 5.1;

FIG. 5.3 is a rear view of the embodiment of FIG. 5.1;

FIG. 5.4 is a left side view of the embodiment of FIG. 5.1;

FIG. 5.5 is a right side view of the embodiment of FIG. 5.1;

FIG. 5.6 is a top view of the embodiment of FIG. 5.1;

FIG. 5.7 is a bottom view of the embodiment of FIG. 5.1;

FIG. 6.1 is a top, front and left side perspective view of a sixth embodiment of a telescopic sight for firearms showing our new design;

FIG. 6.2 is a front view of the embodiment of FIG. 6.1;

FIG. 6.3 is a rear view of the embodiment of FIG. 6.1;

FIG. 6.4 is a left side view of the embodiment of FIG. 6.1;

FIG. 6.5 is a right side view of the embodiment of FIG. 6.1;

FIG. 6.6 is a top view of the embodiment of FIG. 6.1;

FIG. 6.7 is a bottom view of the embodiment of FIG. 6.1;

FIG. 7.1 is a top, front and left side perspective view of a seventh embodiment of a telescopic sight for firearms showing our new design;

FIG. 7.2 is a front view of the embodiment of FIG. 7.1;

FIG. 7.3 is a rear view of the embodiment of FIG. 7.1;

FIG. 7.4 is a left side view of the embodiment of FIG. 7.1;

FIG. 7.5 is a right side view of the embodiment of FIG. 7.1;

FIG. 7.6 is a top view of the embodiment of FIG. 7.1;

FIG. 7.7 is a bottom view of the embodiment of FIG. 7.1;

FIG. 8.1 is a top, front and left side perspective view of an eighth embodiment of a telescopic sight for firearms showing our new design;

FIG. 8.2 is a front view of the embodiment of FIG. 8.1;

FIG. 8.3 is a rear view of the embodiment of FIG. 8.1;

FIG. 8.4 is a left side view of the embodiment of FIG. 8.1;

FIG. 8.5 is a right side view of the embodiment of FIG. 8.1;

FIG. 8.6 is a top view of the embodiment of FIG. 8.1; and

FIG. 8.7 is a bottom view of the embodiment of FIG. 8.1.

1 Claim, 56 Drawing Sheets

(58) **Field of Classification Search**

CPC F41G 11/001; F41G 11/003; F41G 11/004;
F41G 1/00; F41G 1/38; F41G 11/005

See application file for complete search history.

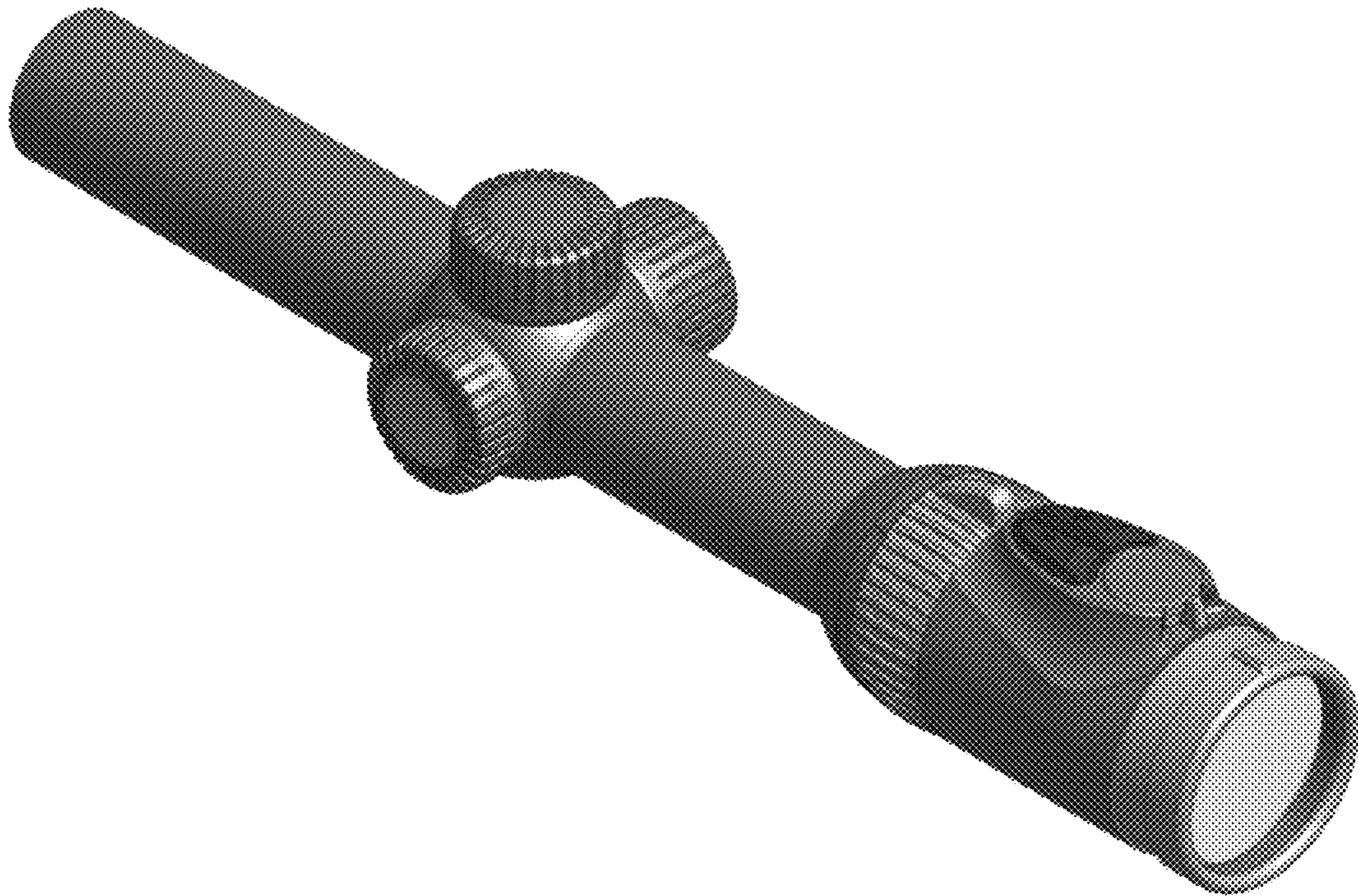
(56) **References Cited**

U.S. PATENT DOCUMENTS

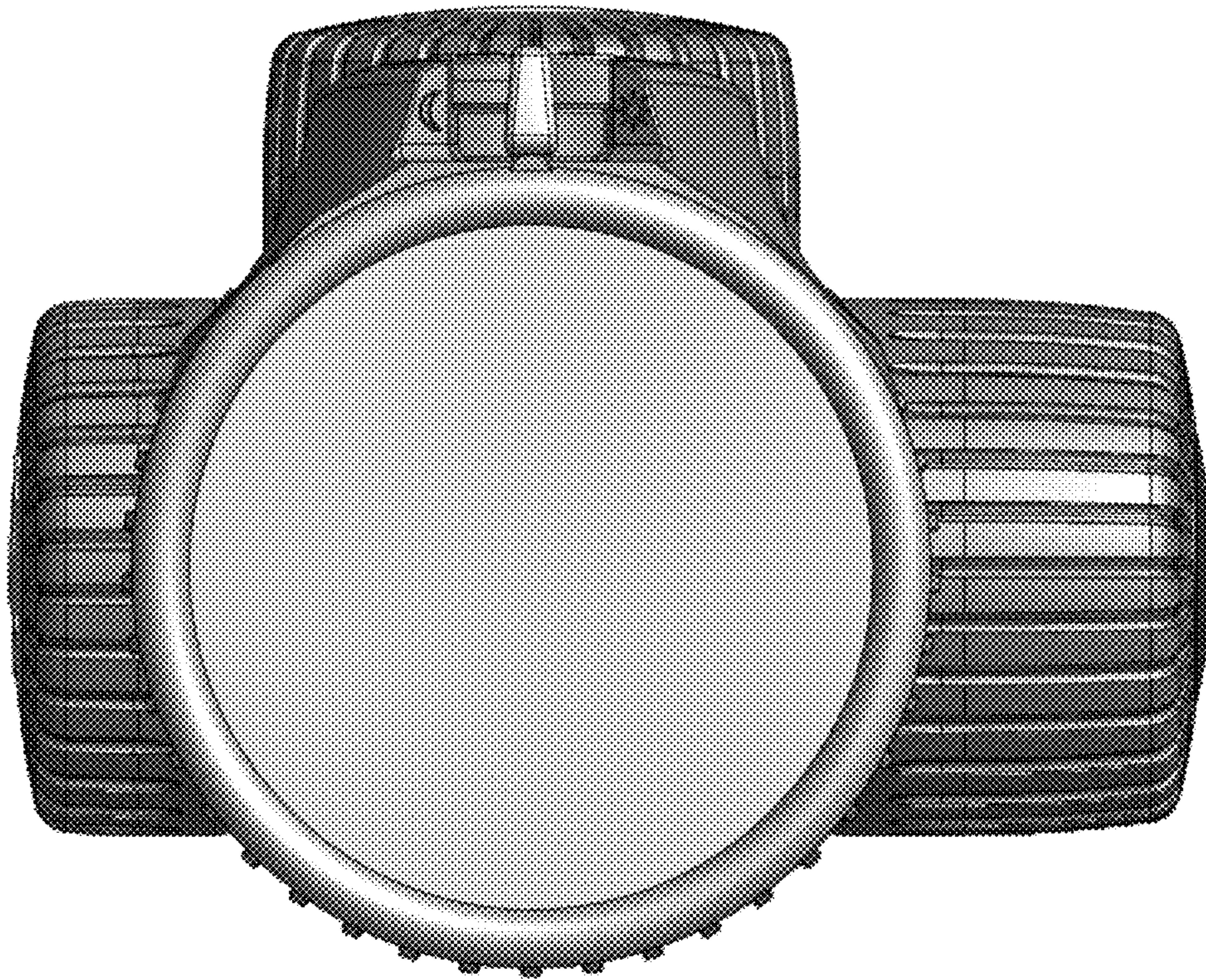
D668,312	S	*	10/2012	Asano	D22/109
D681,152	S	*	4/2013	Burzel	D22/109
D689,163	S	*	9/2013	Radau	D22/109
D689,582	S	*	9/2013	Radau	D22/109
D723,652	S	*	3/2015	Radau	D22/109
D728,060	S	*	4/2015	Vogl	D22/109
D728,061	S	*	4/2015	Vogl	D22/109
D732,633	S	*	6/2015	Cheng	D22/109
D741,446	S	*	10/2015	Cheng	D22/109
D756,480	S	*	5/2016	Kay	D22/109
9,429,390	B2	*	8/2016	Stockdill	F41G 1/38
9,459,440	B2	*	10/2016	Zheng	G02B 23/145
2016/0327364	A1	*	11/2016	Walker	F41G 1/38

* cited by examiner

1.1



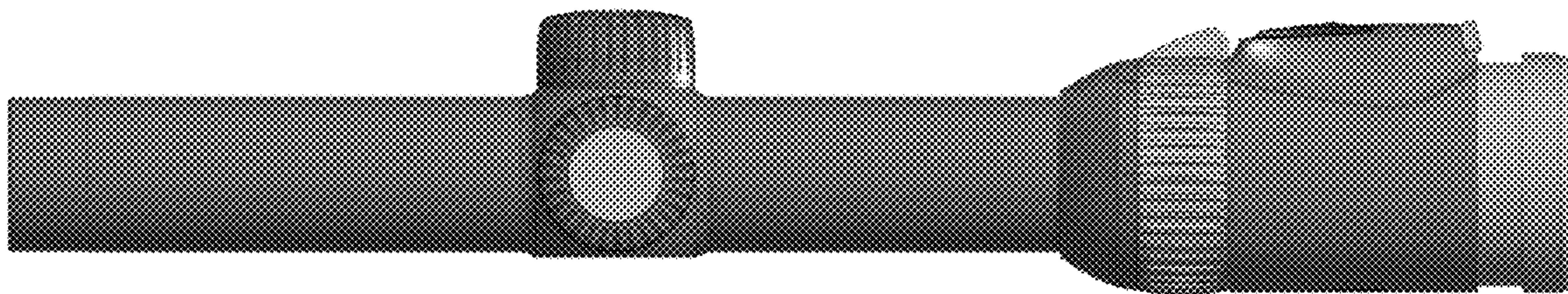
1.2



1.3



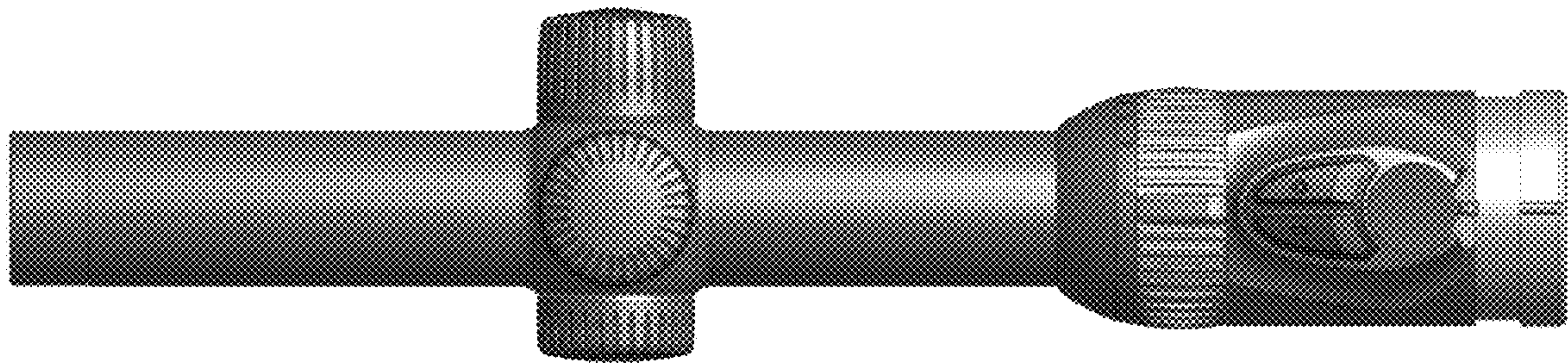
1.4



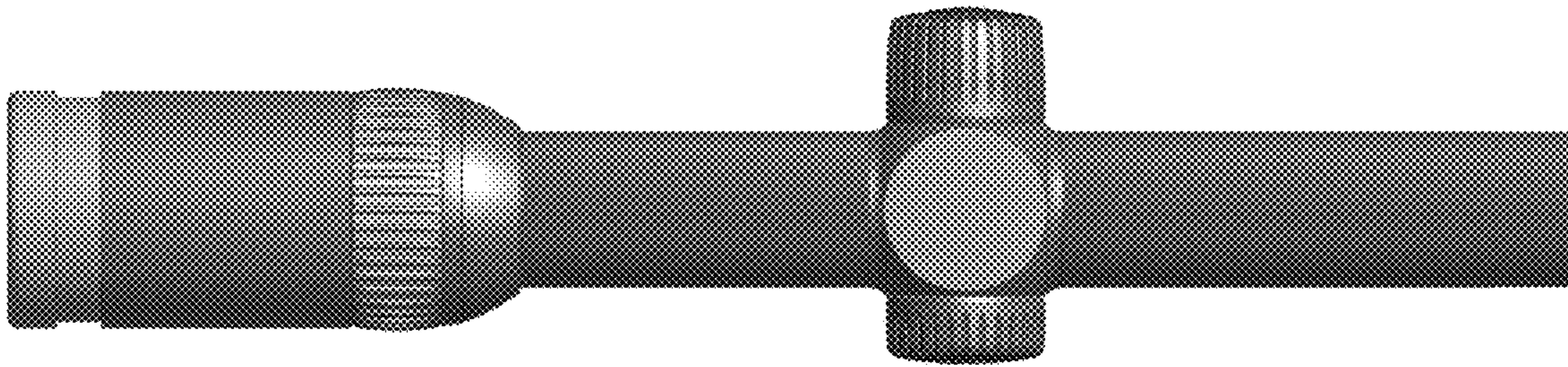
1.5



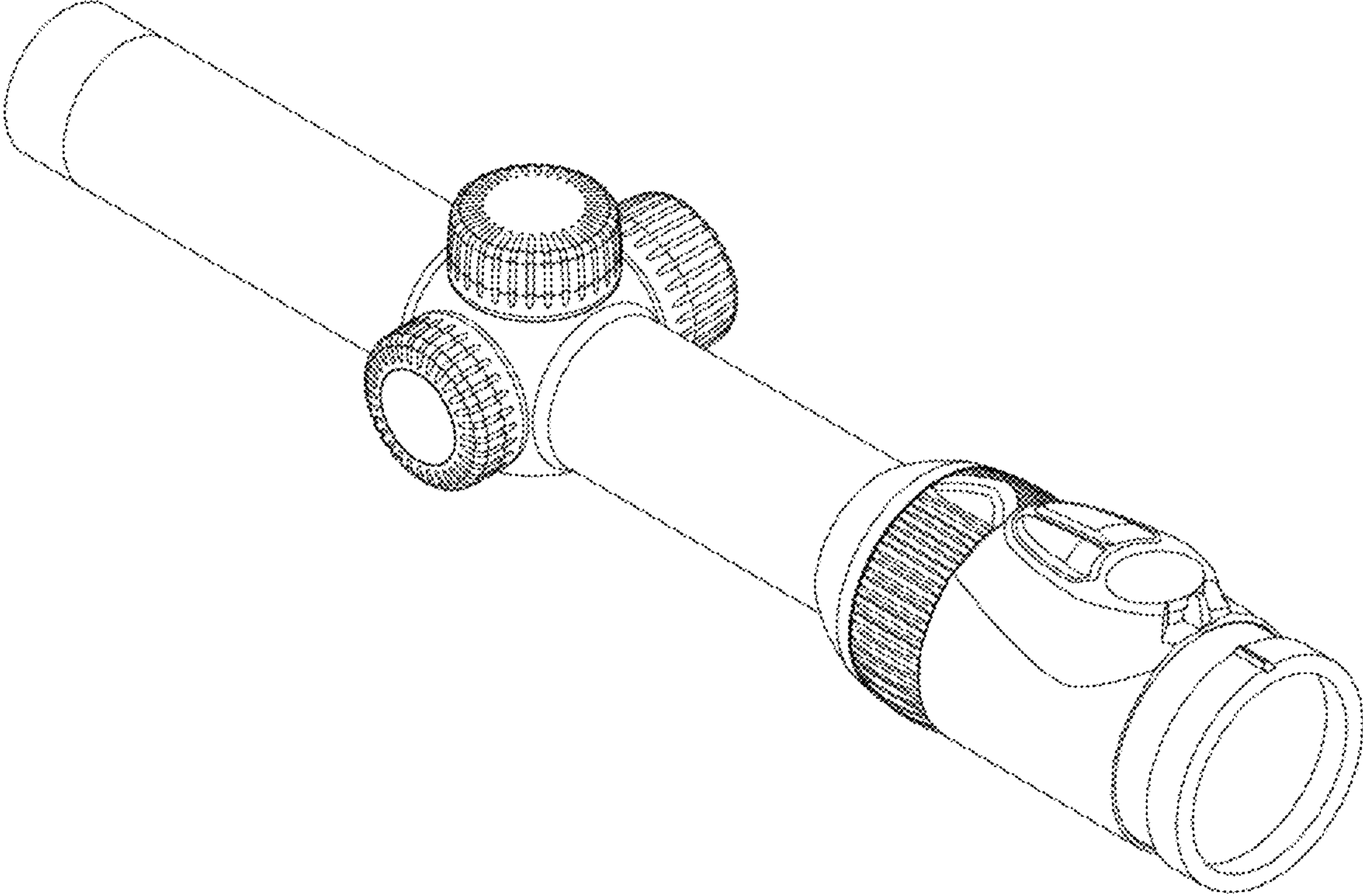
1.6



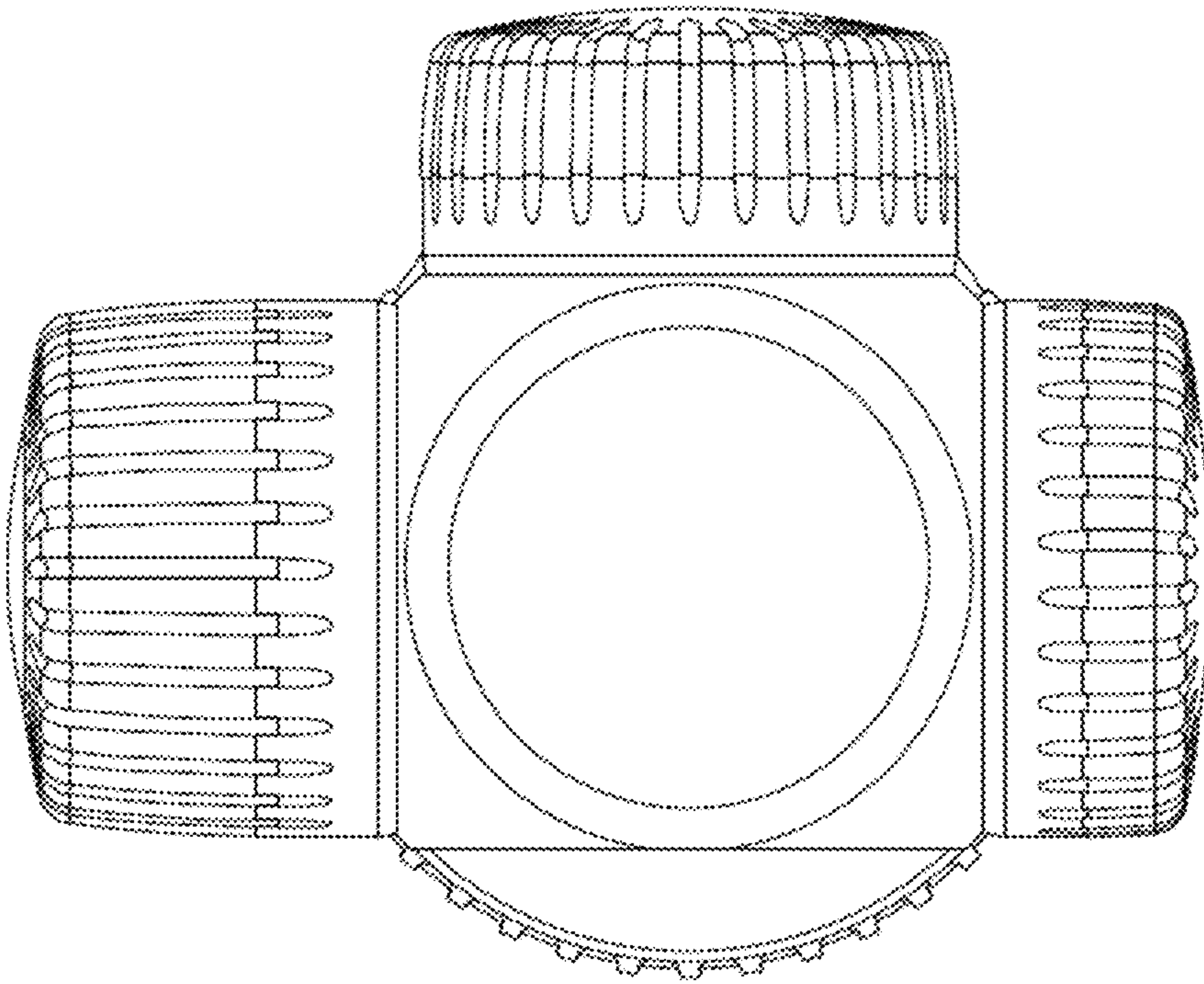
1.7



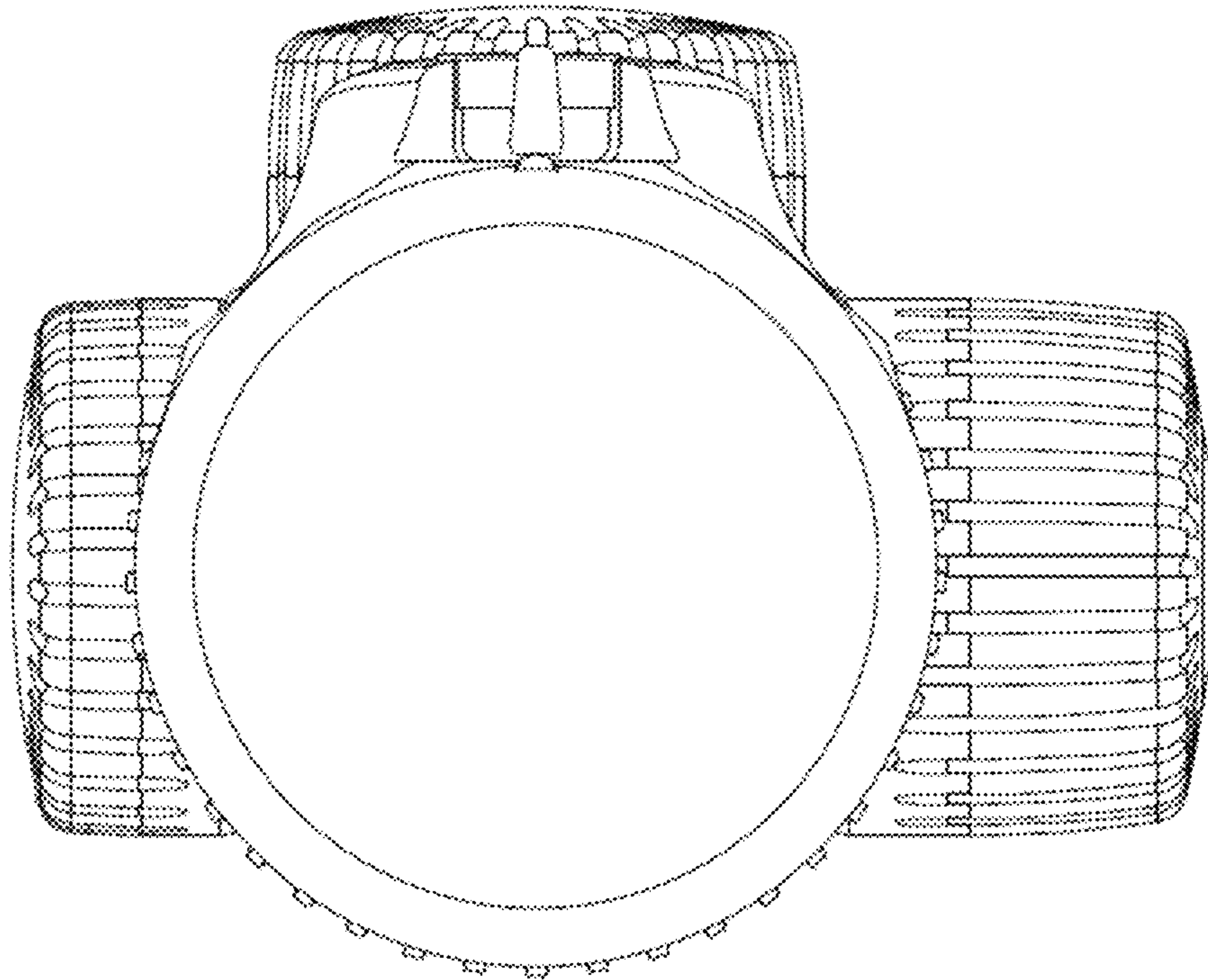
2.1



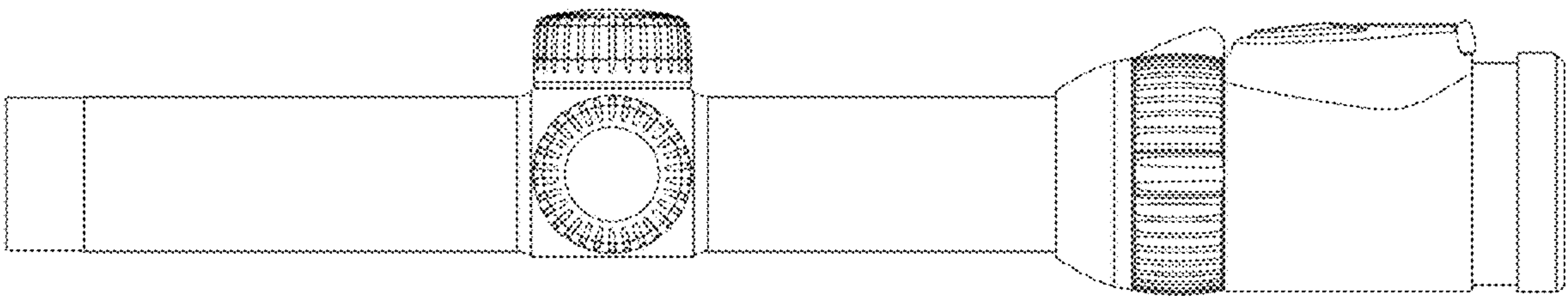
2.2



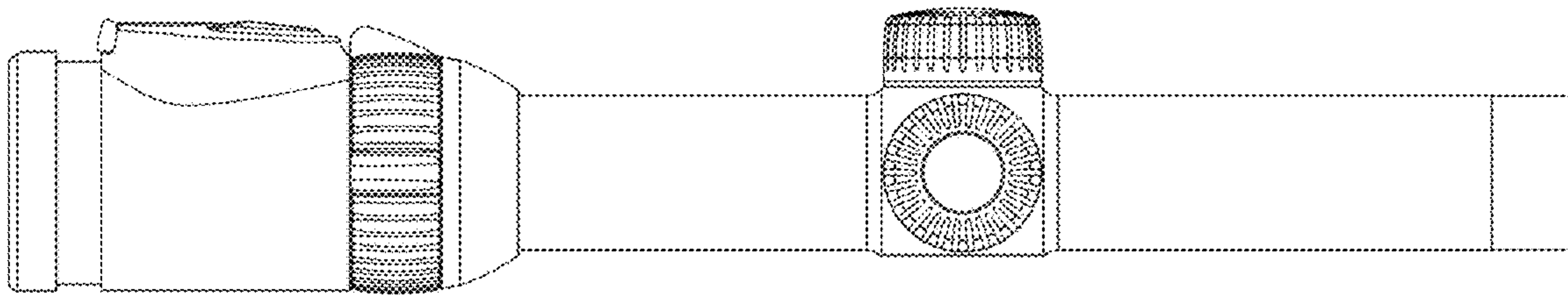
2.3



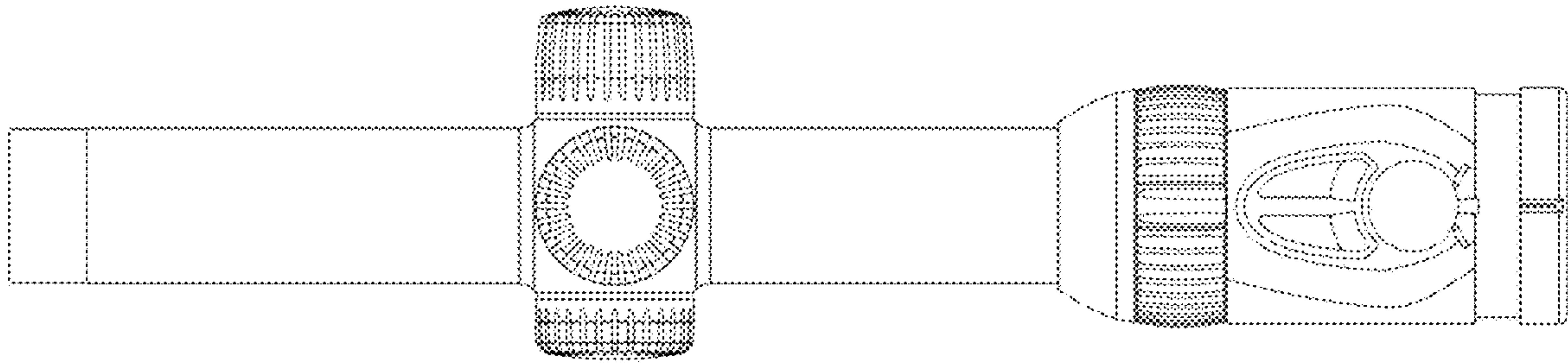
2.4



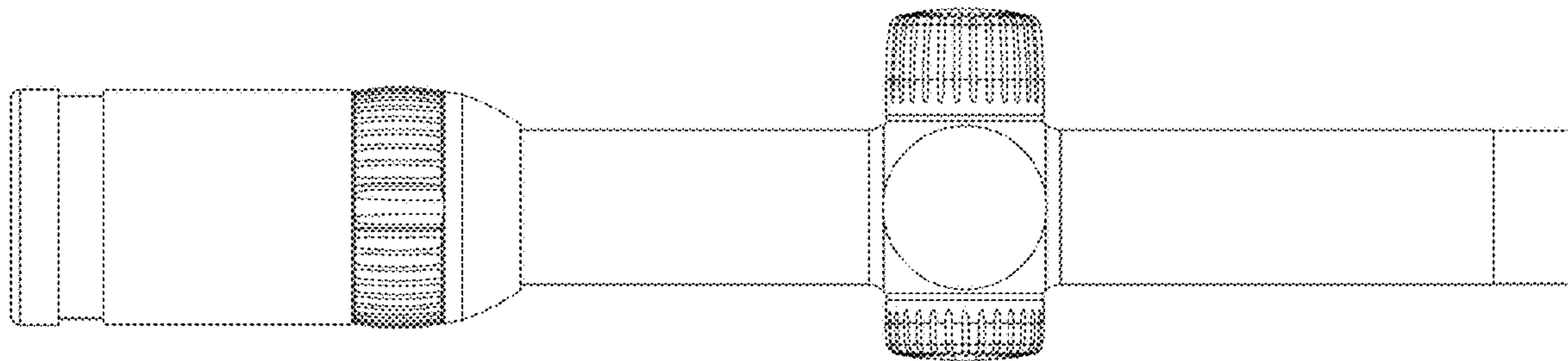
2.5



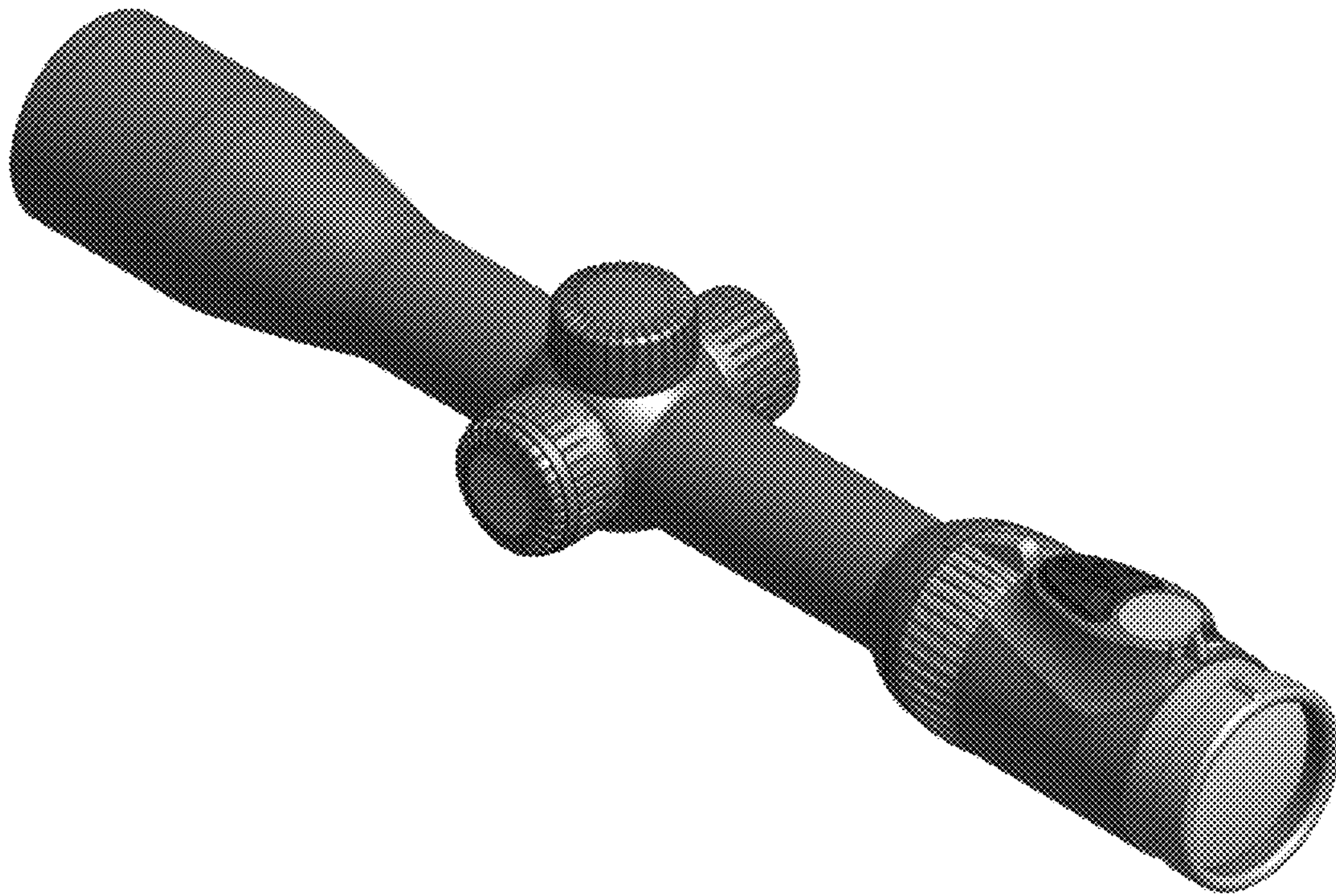
2.6



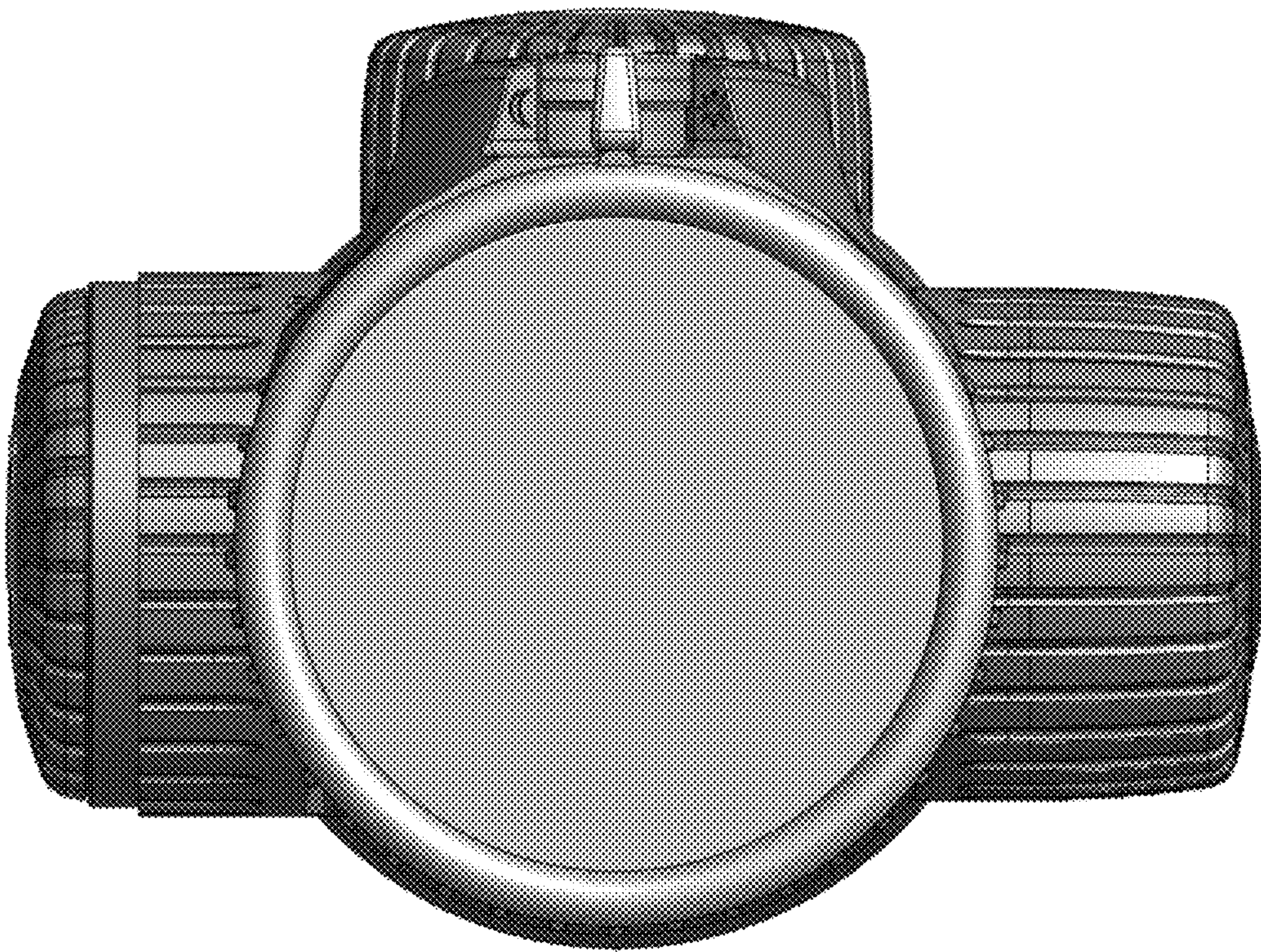
2.7



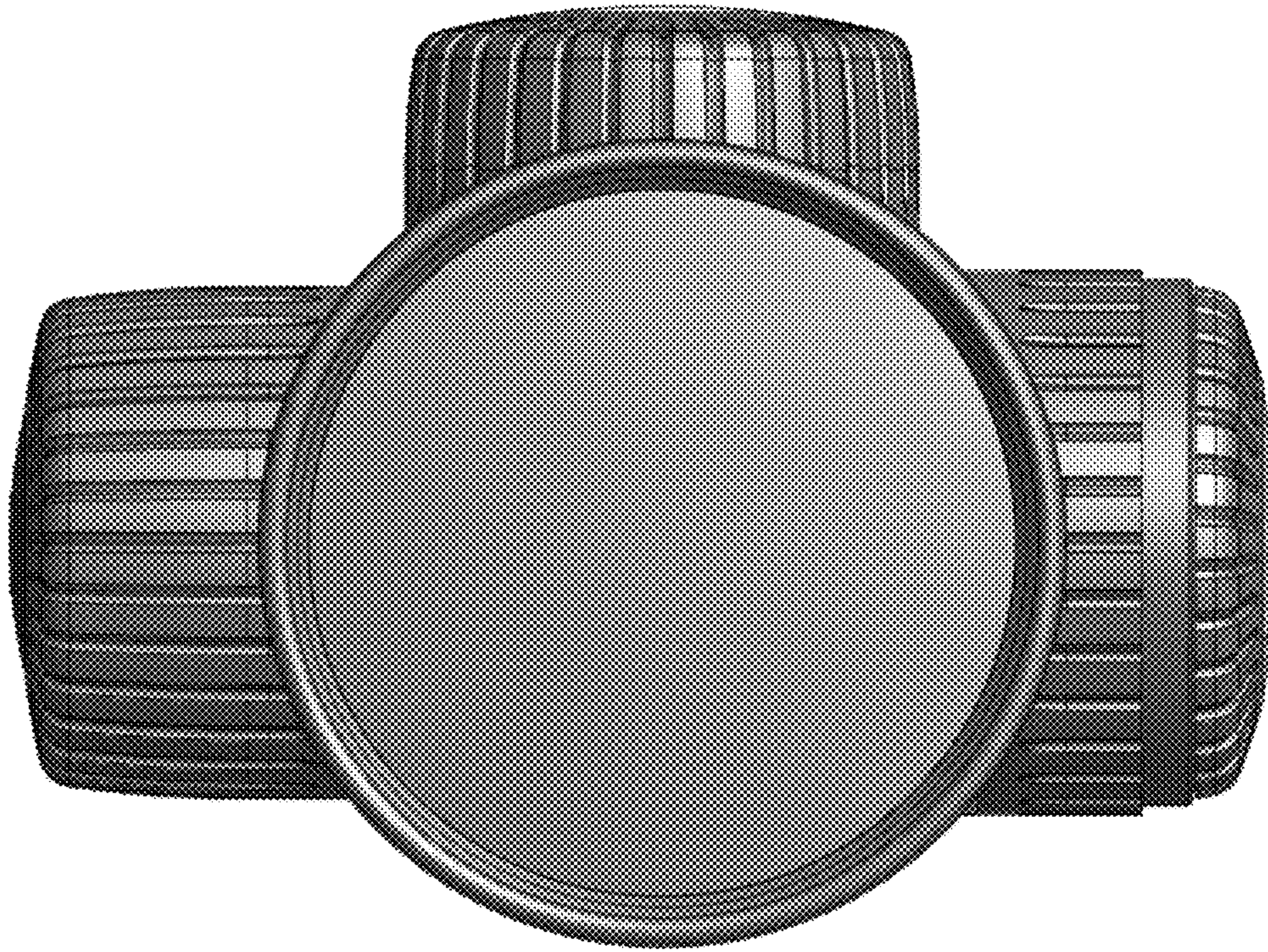
3.1



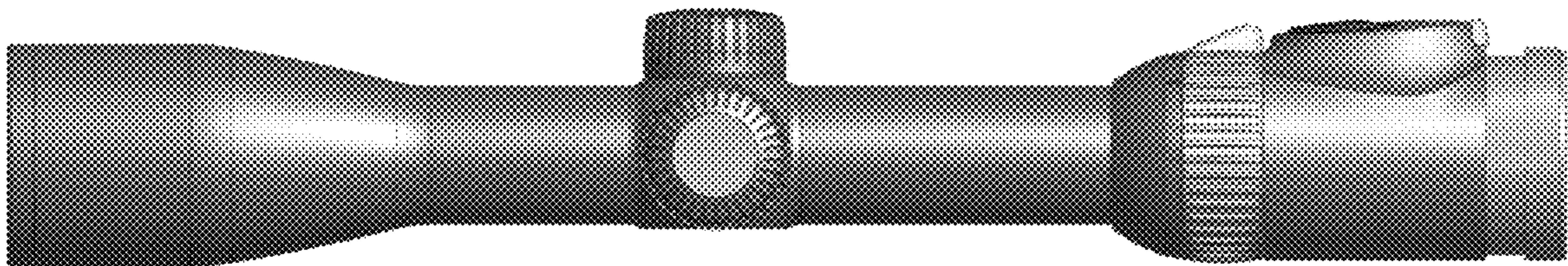
3.2



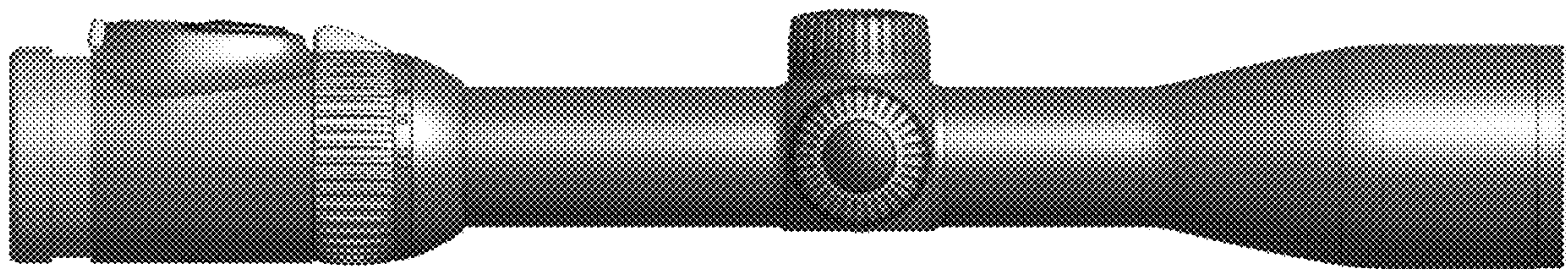
3.3



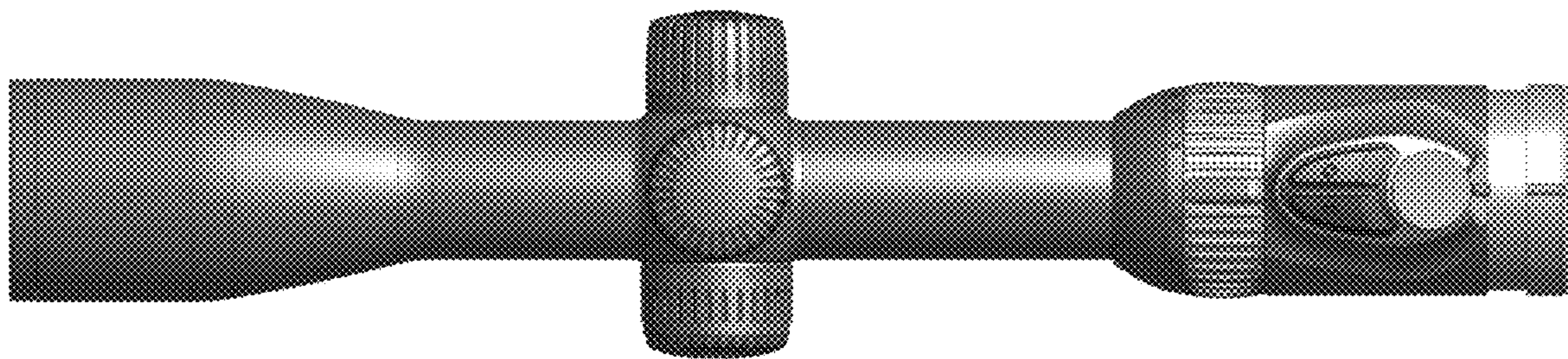
3.4



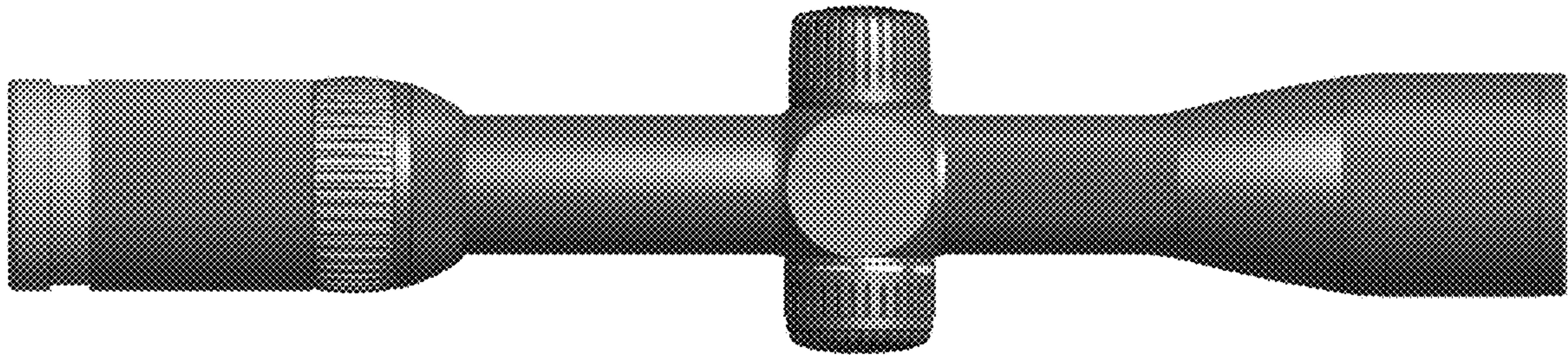
3.5



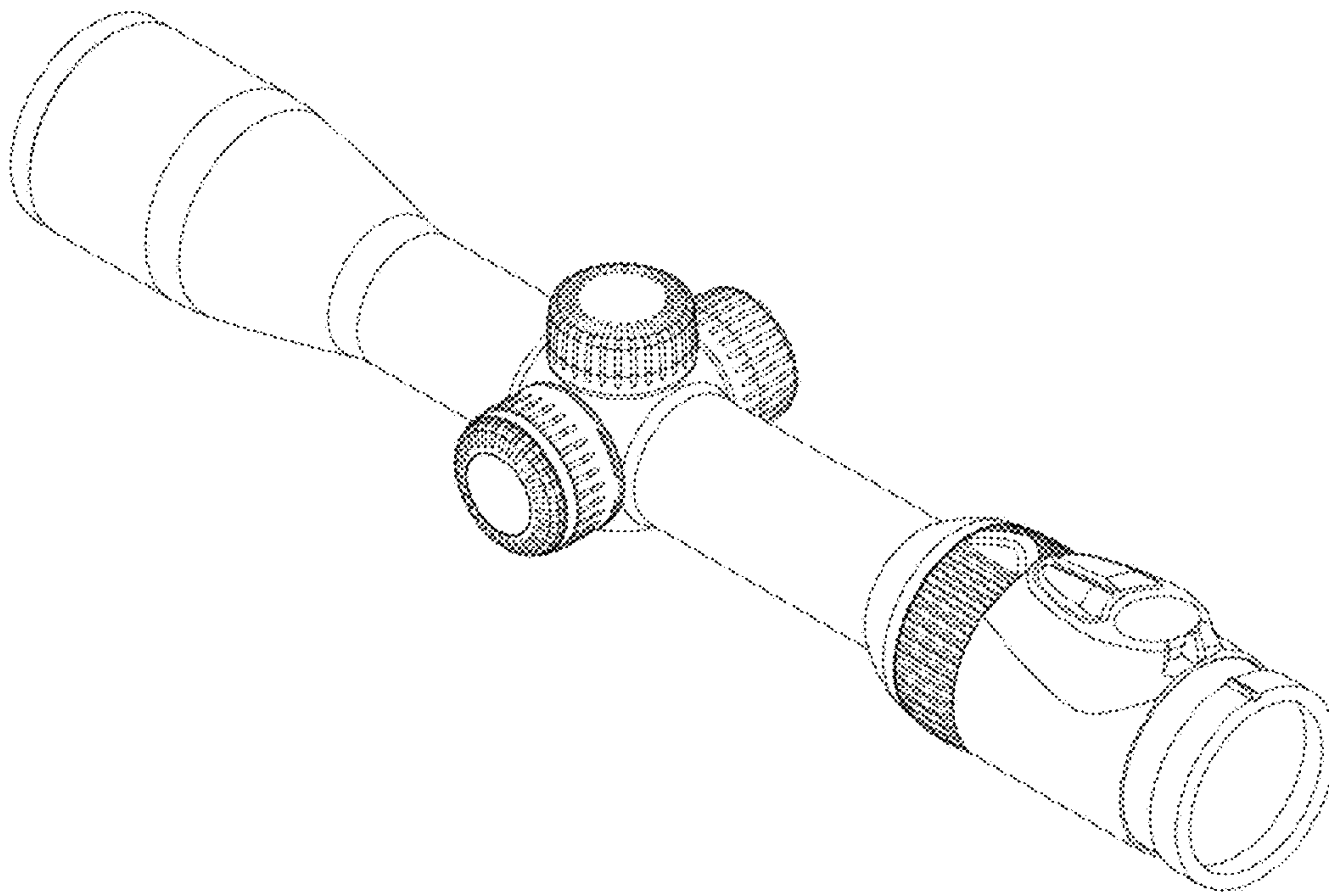
3.6



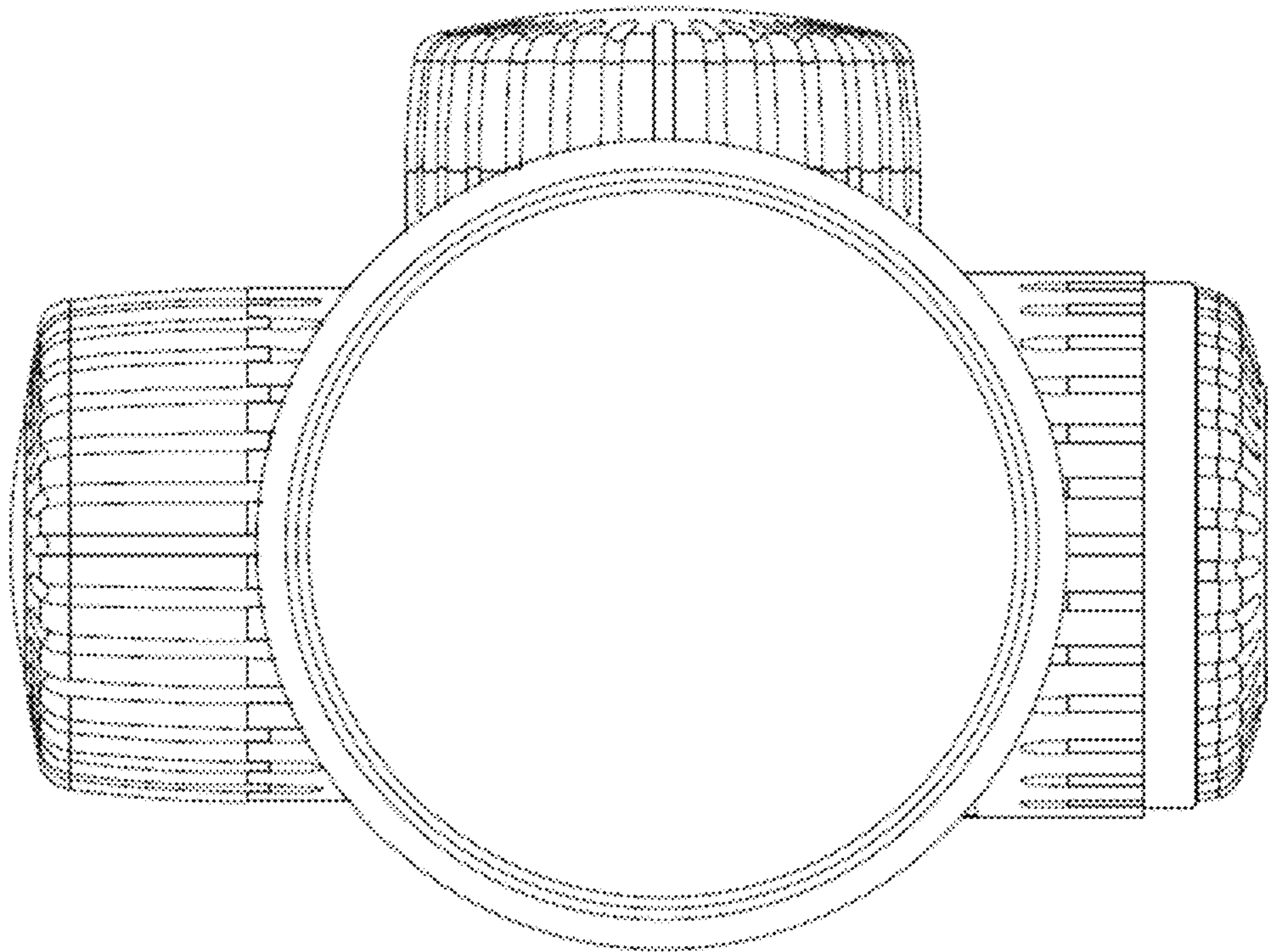
3.7



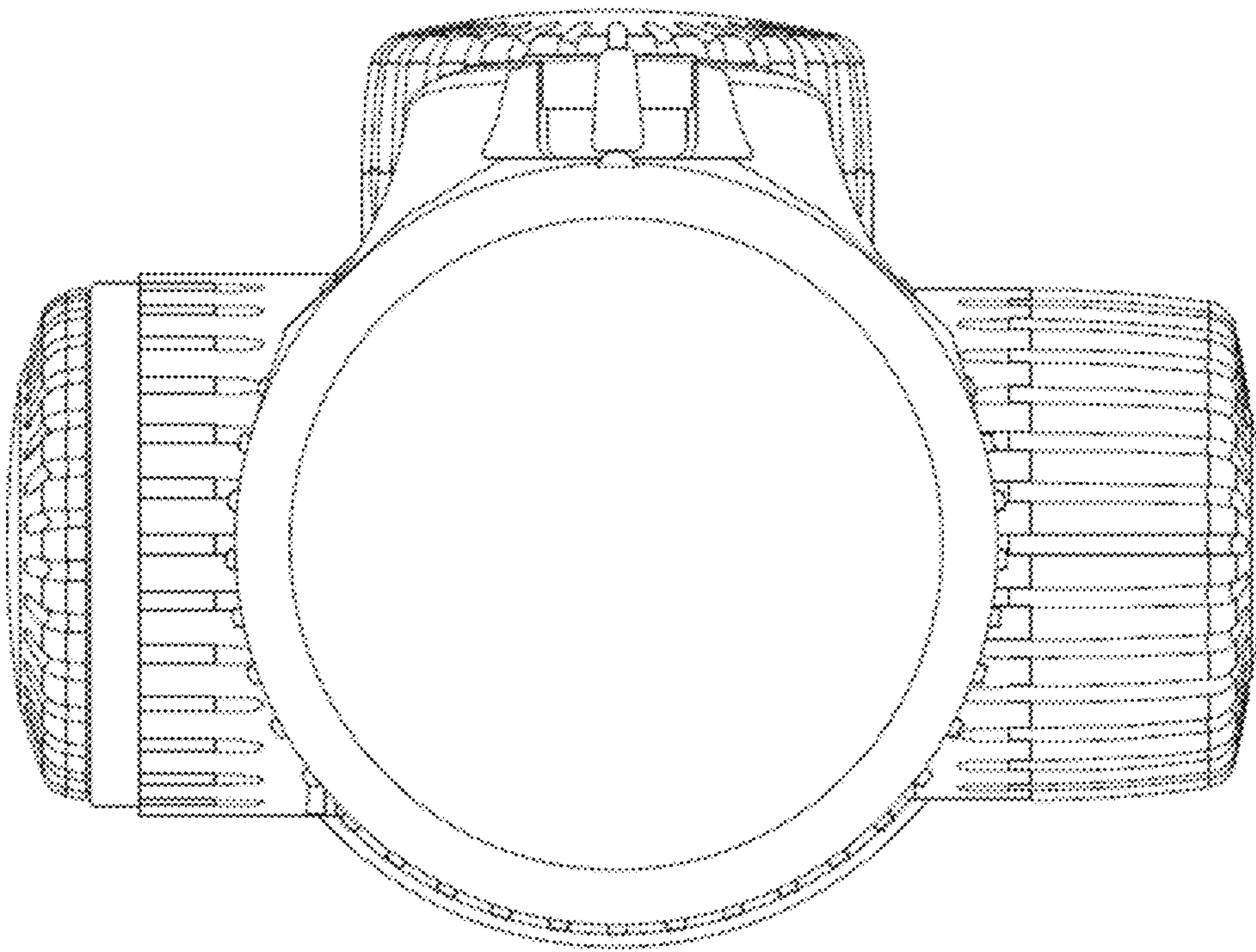
4.1



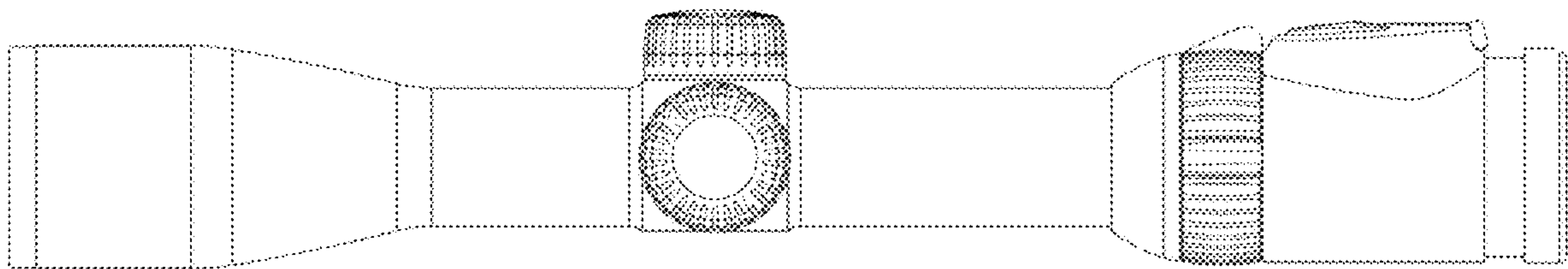
4.2



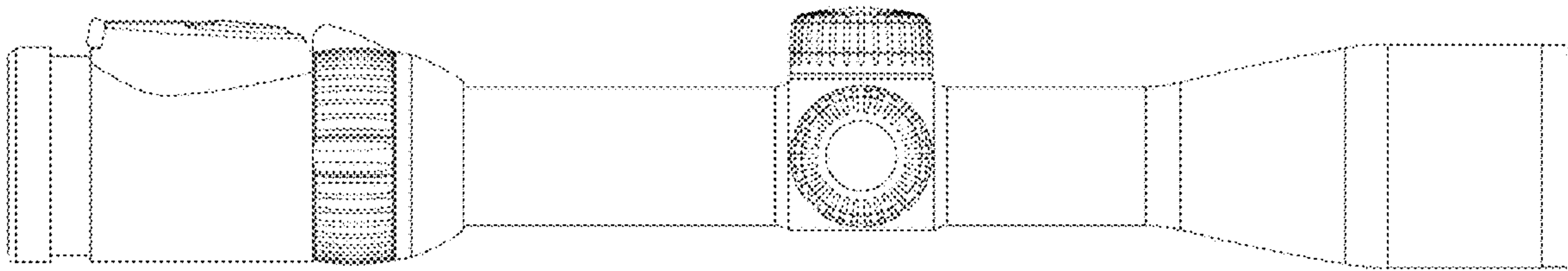
4.3



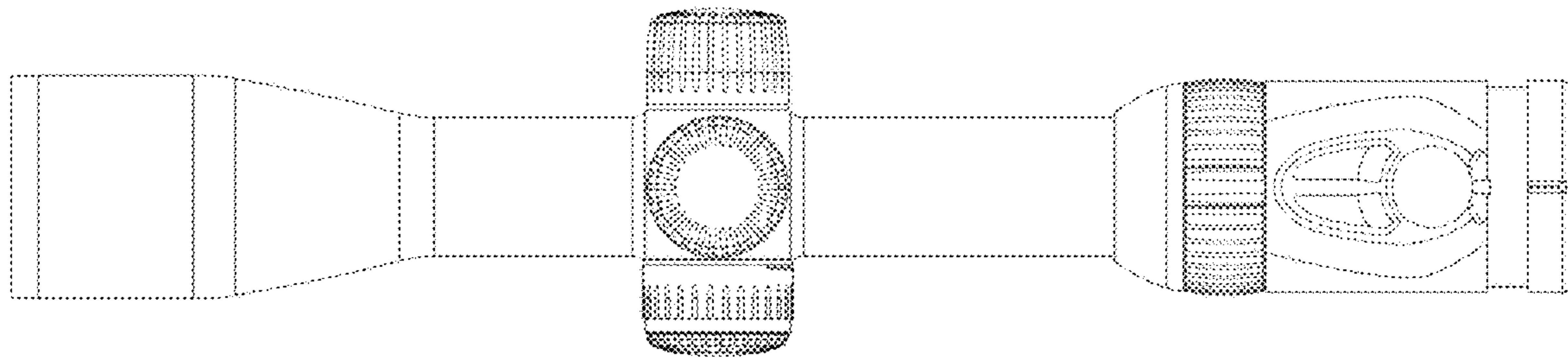
4.4



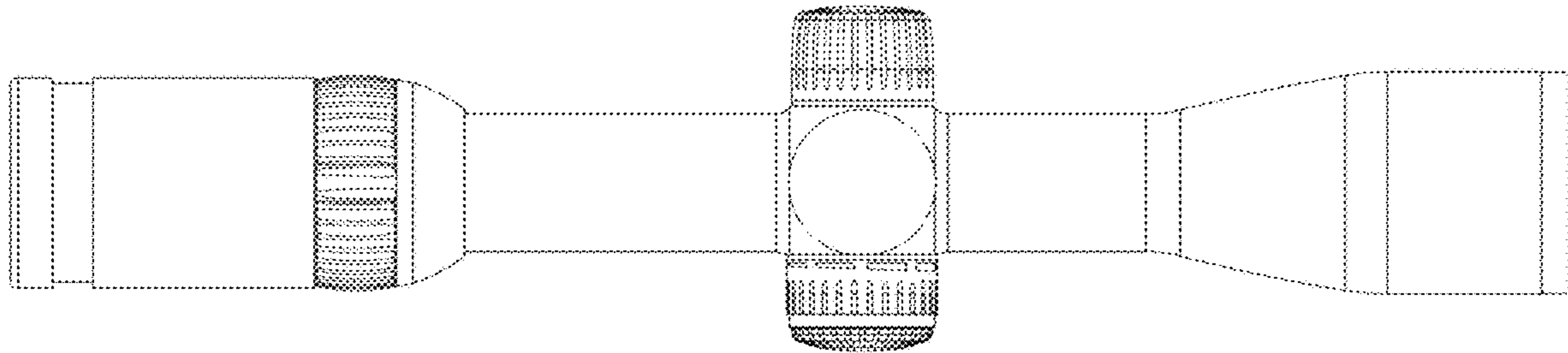
4.5



4.6



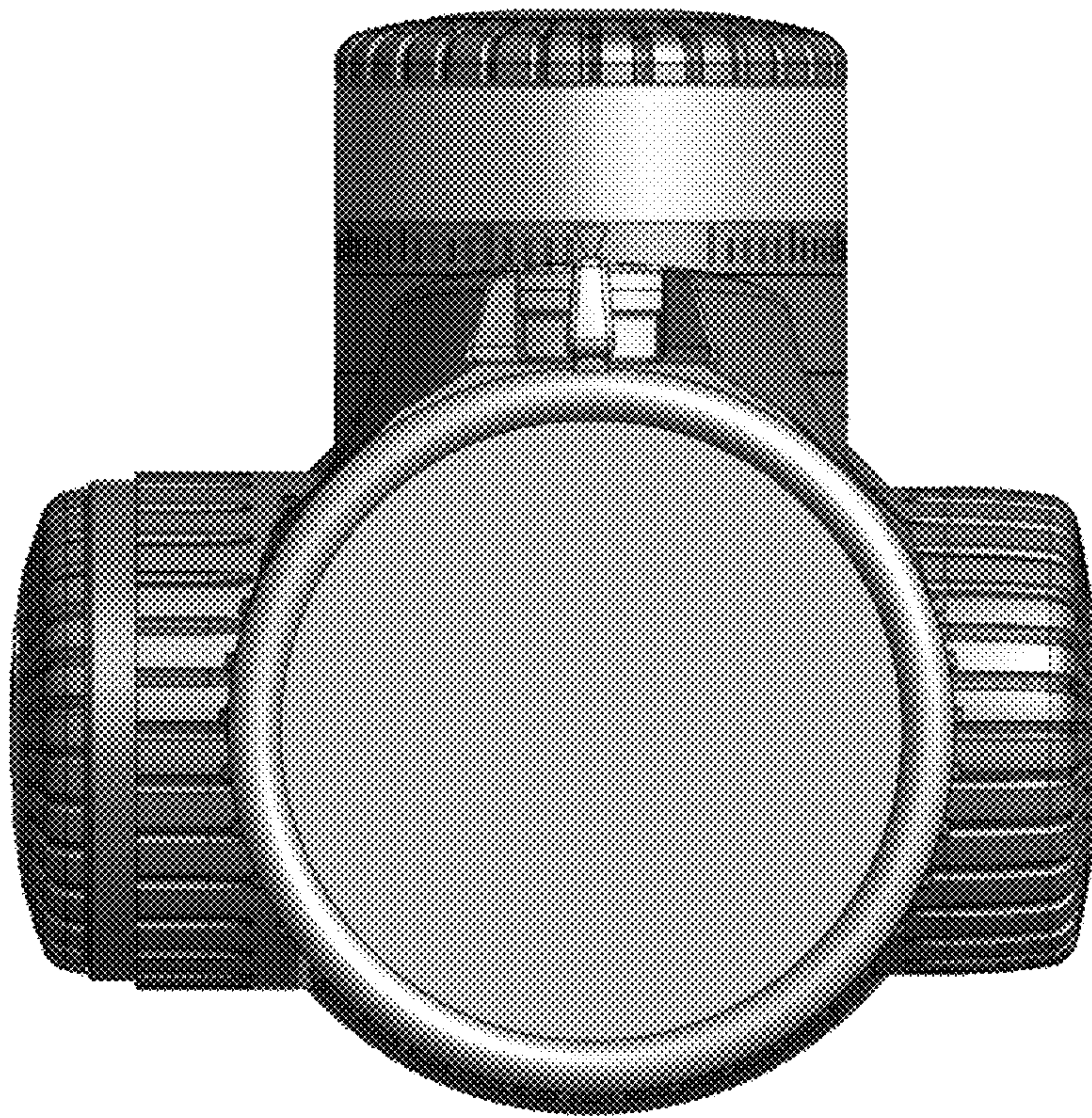
4.7



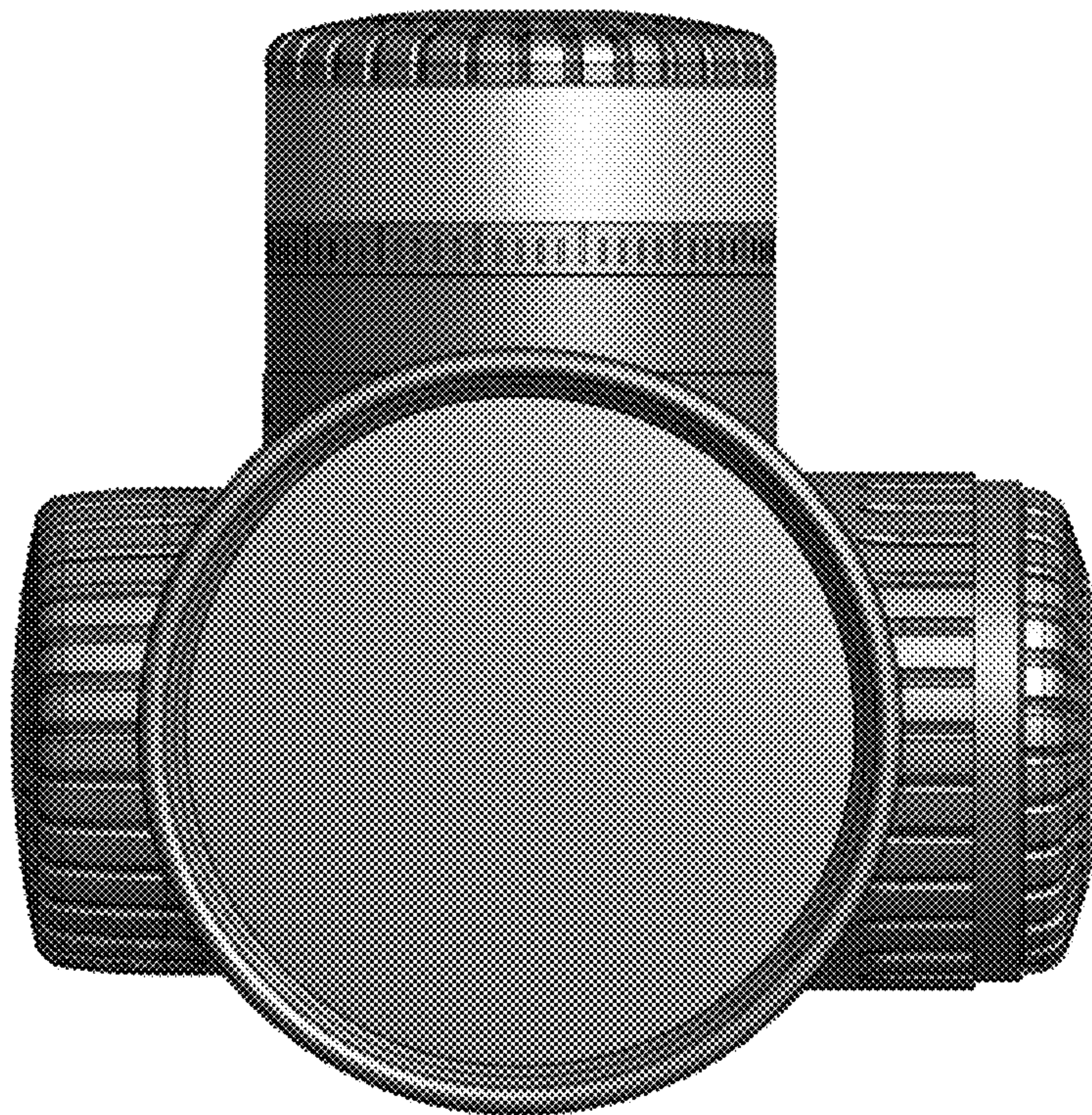
5.1



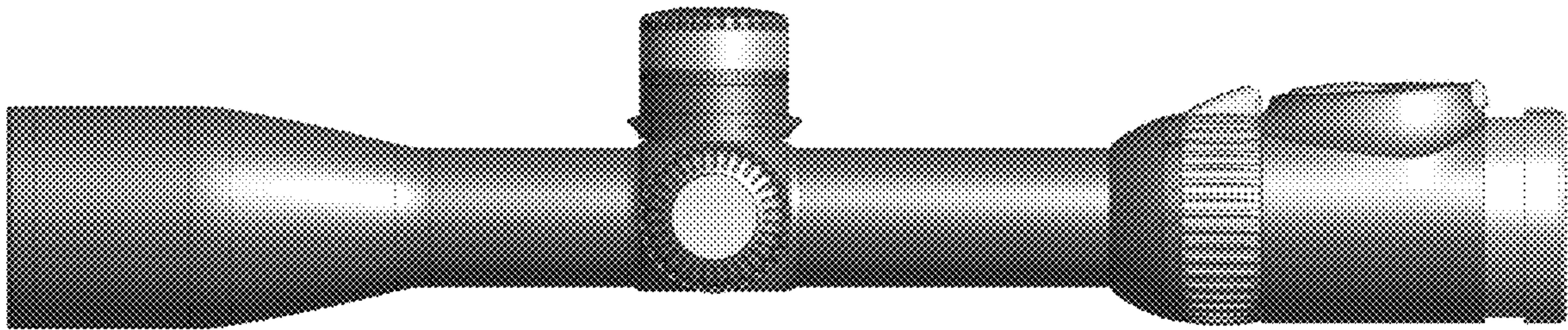
5.2



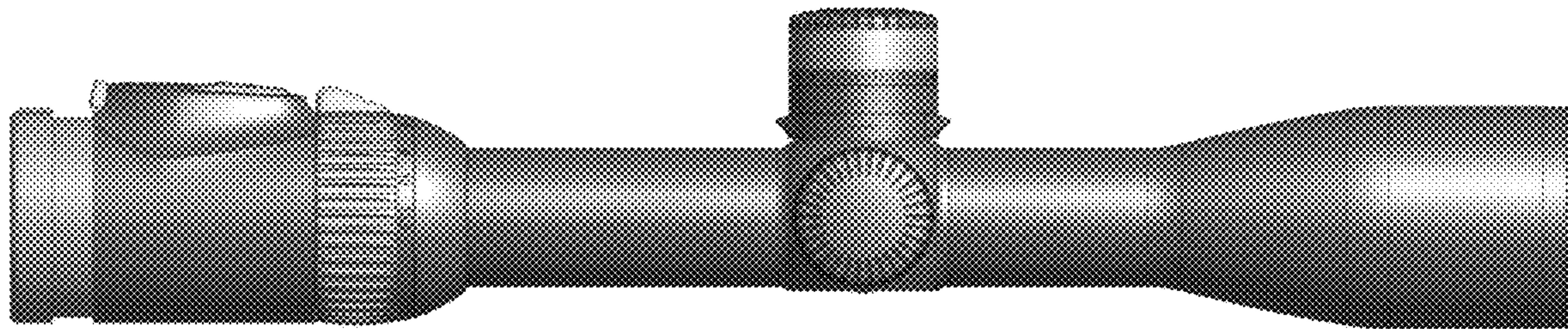
5.3



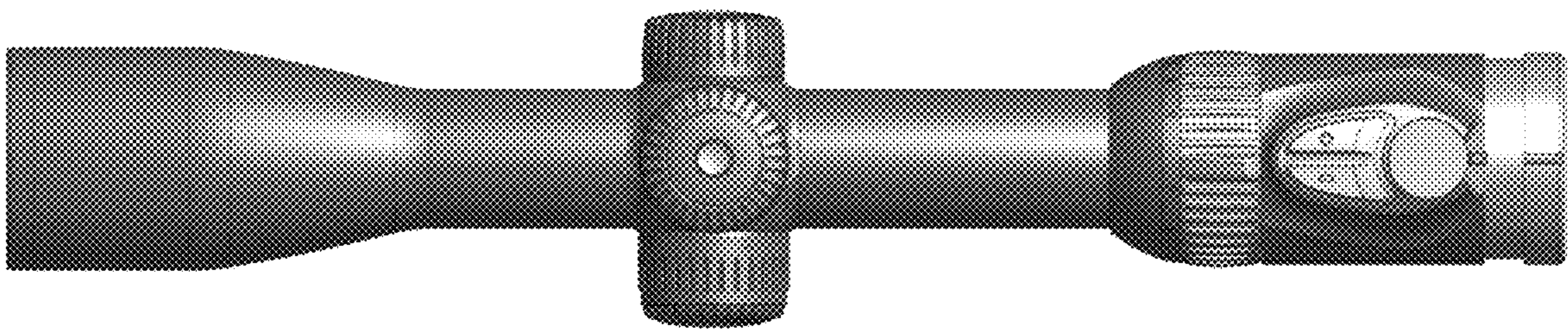
5.4



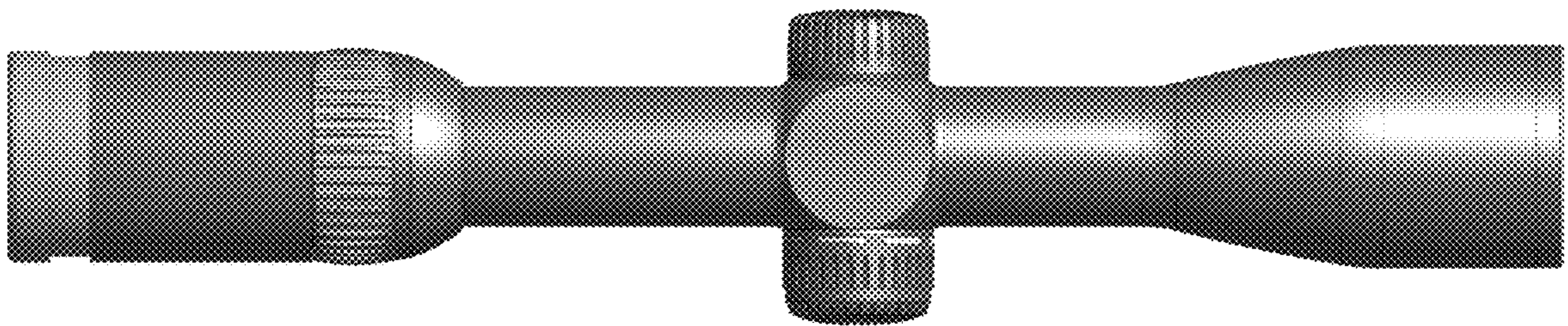
5.5



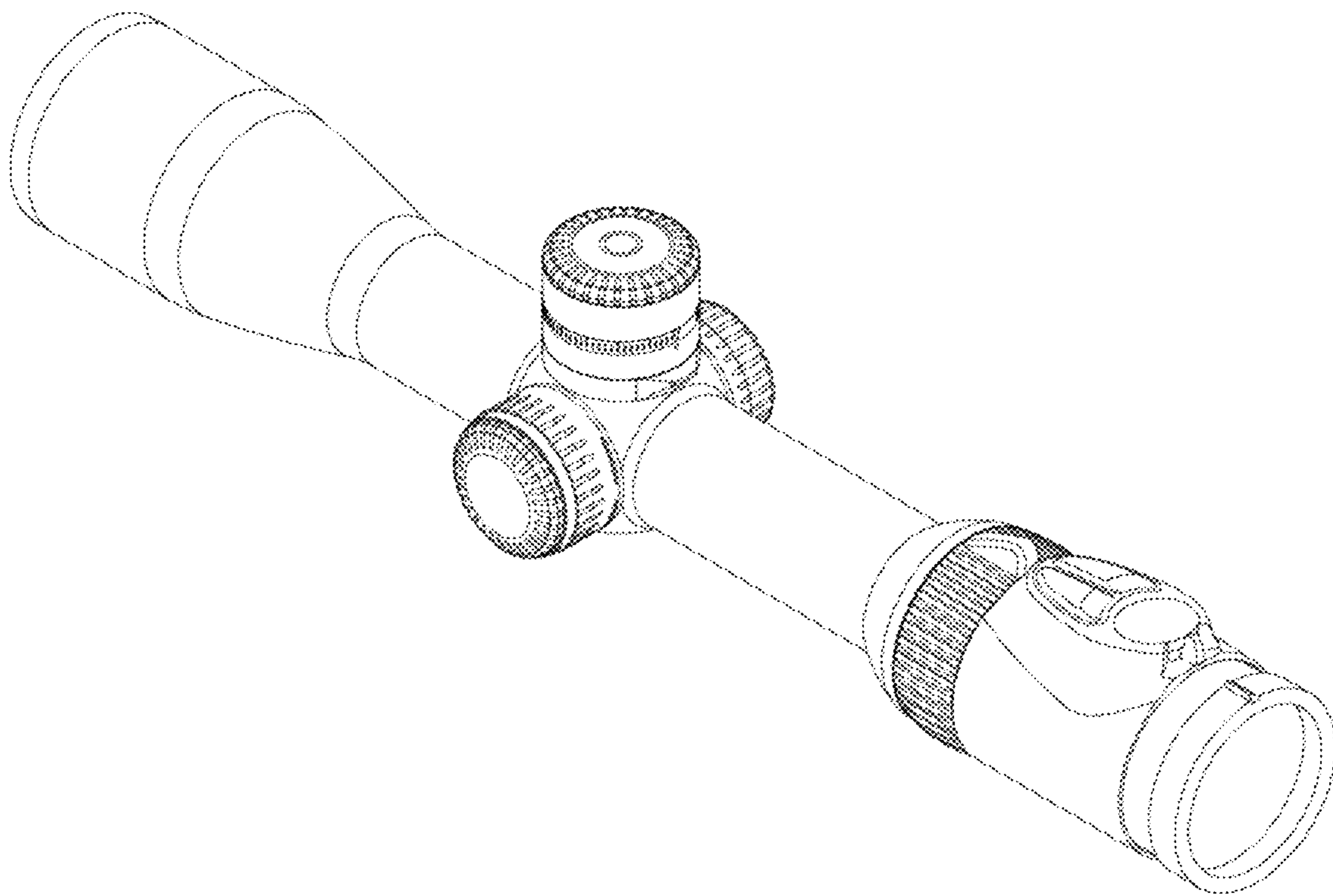
5.6



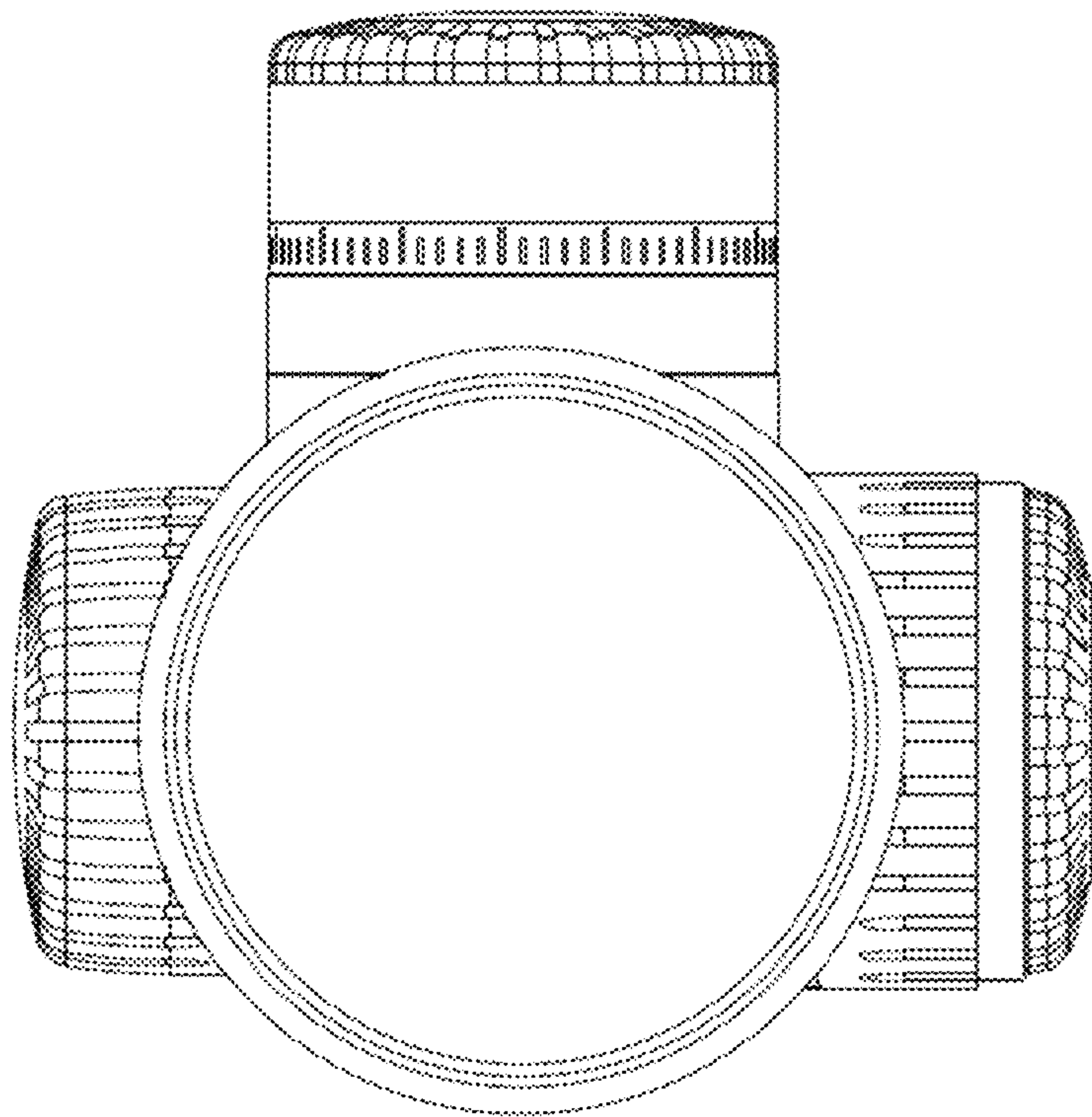
5.7



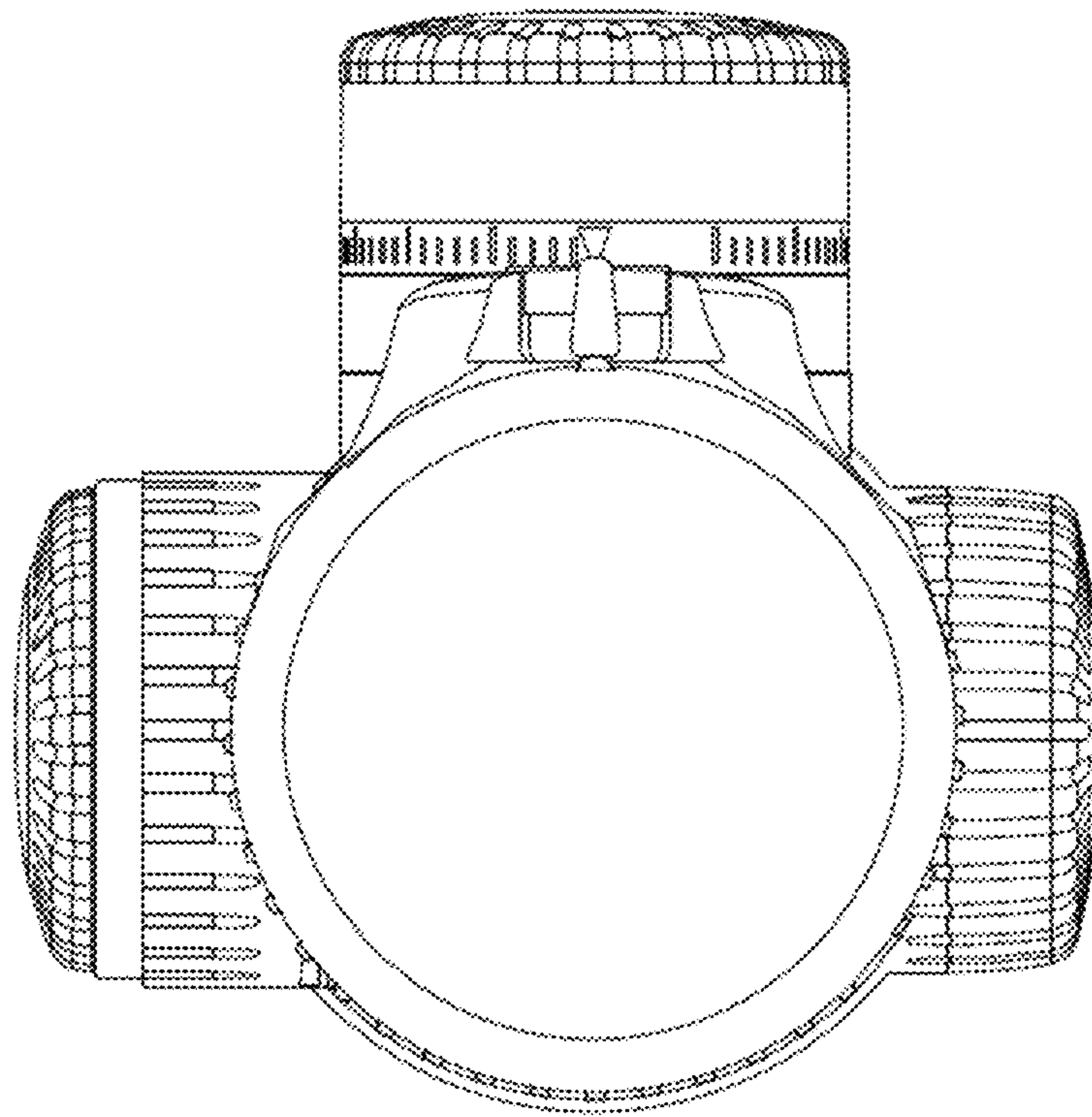
6.1



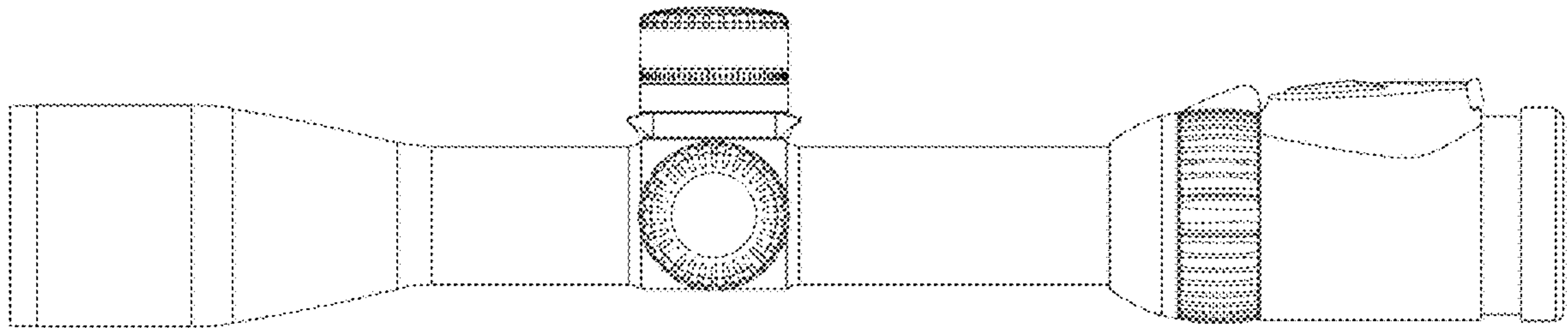
6.2



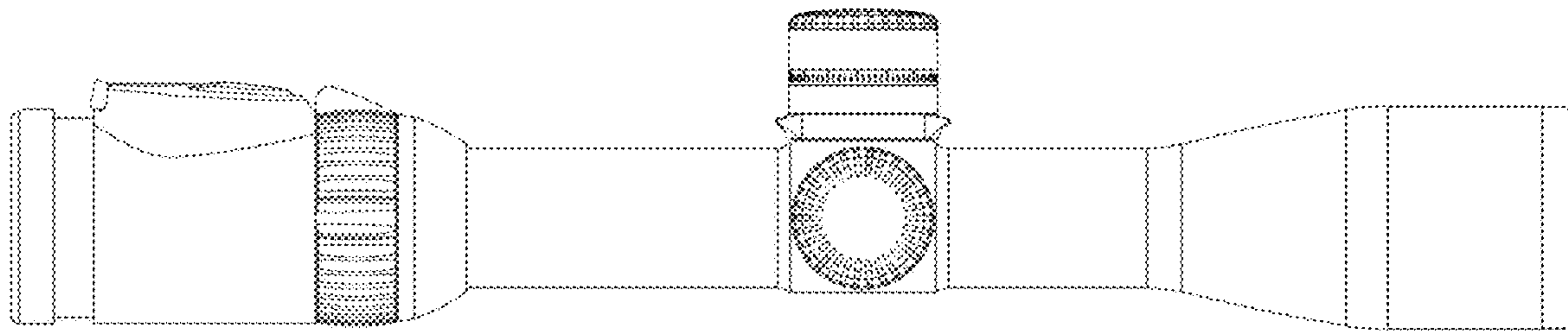
6.3



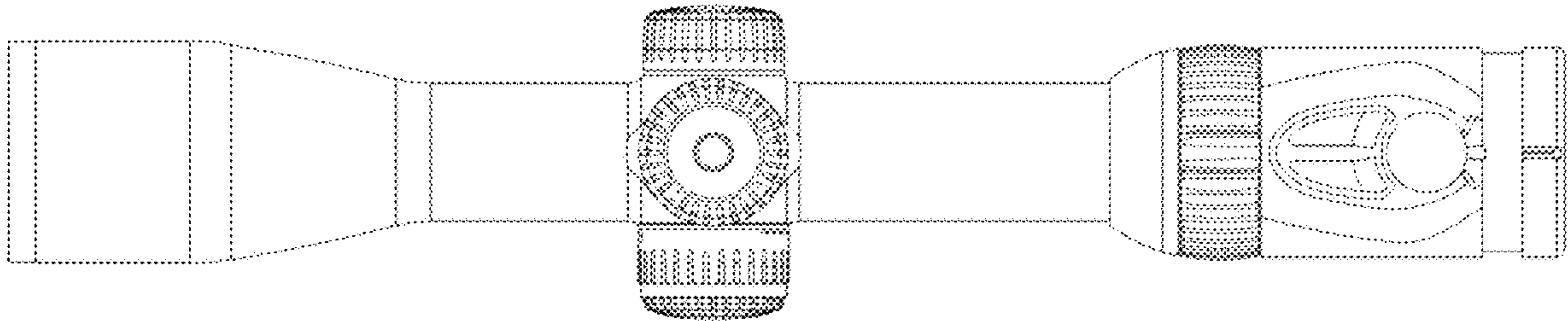
6.4



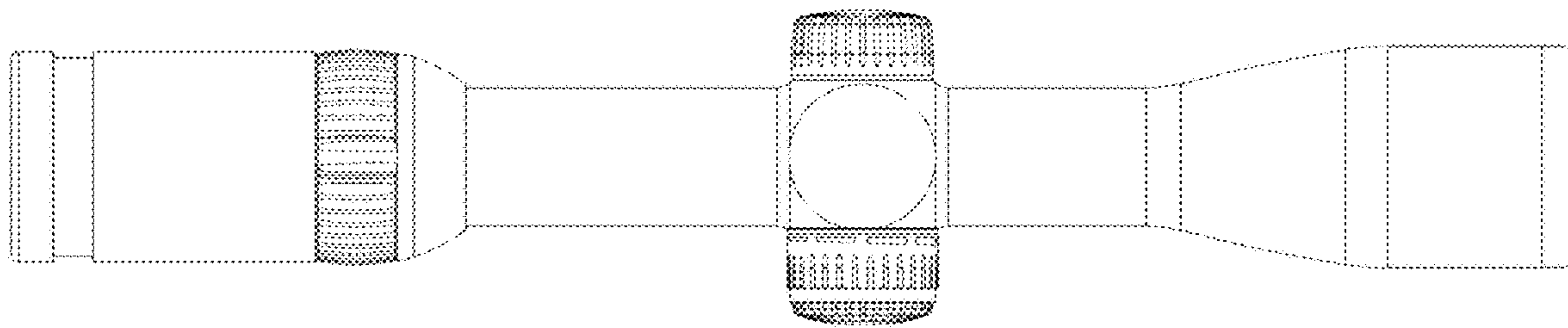
6.5



6.6



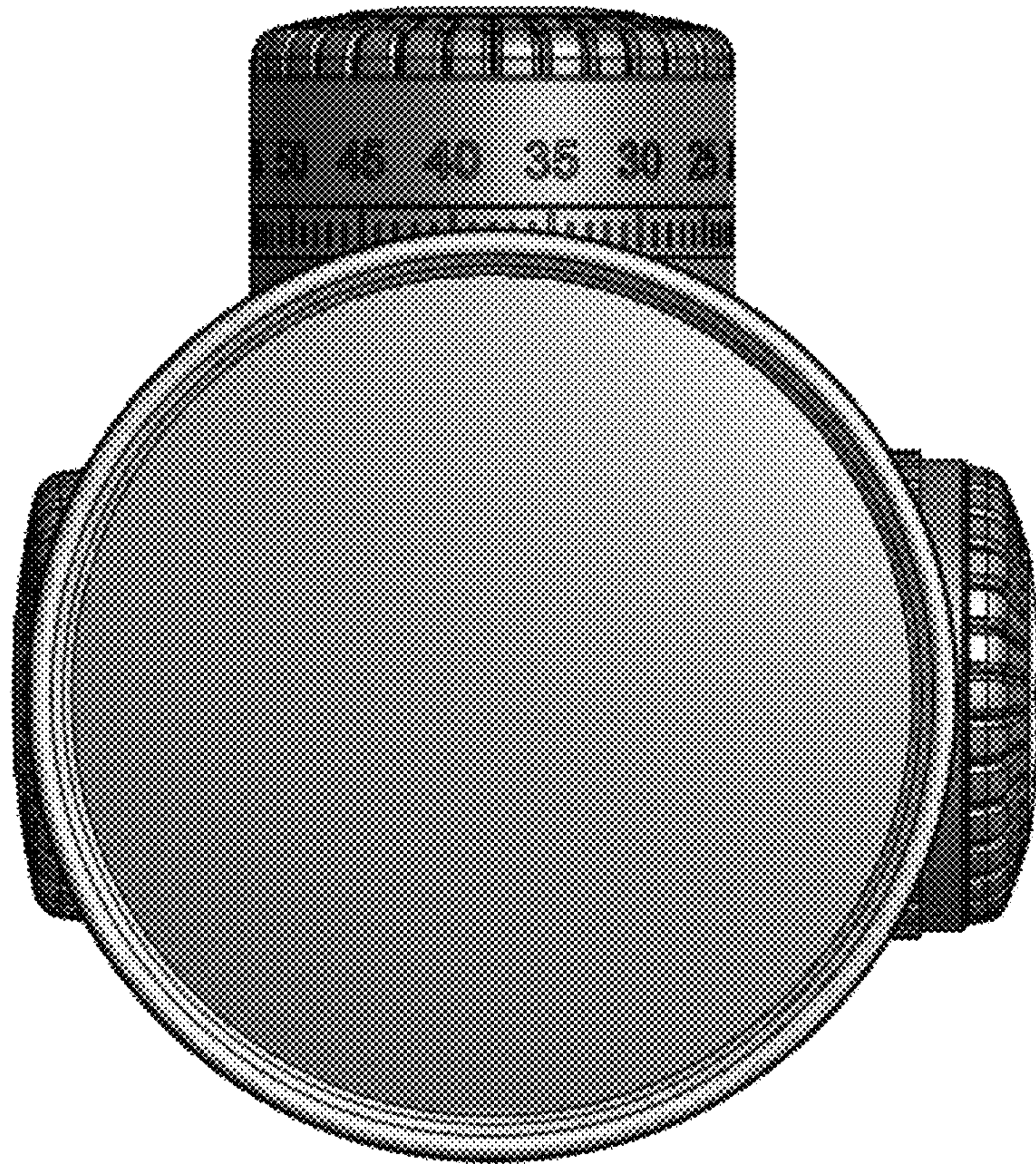
6.7



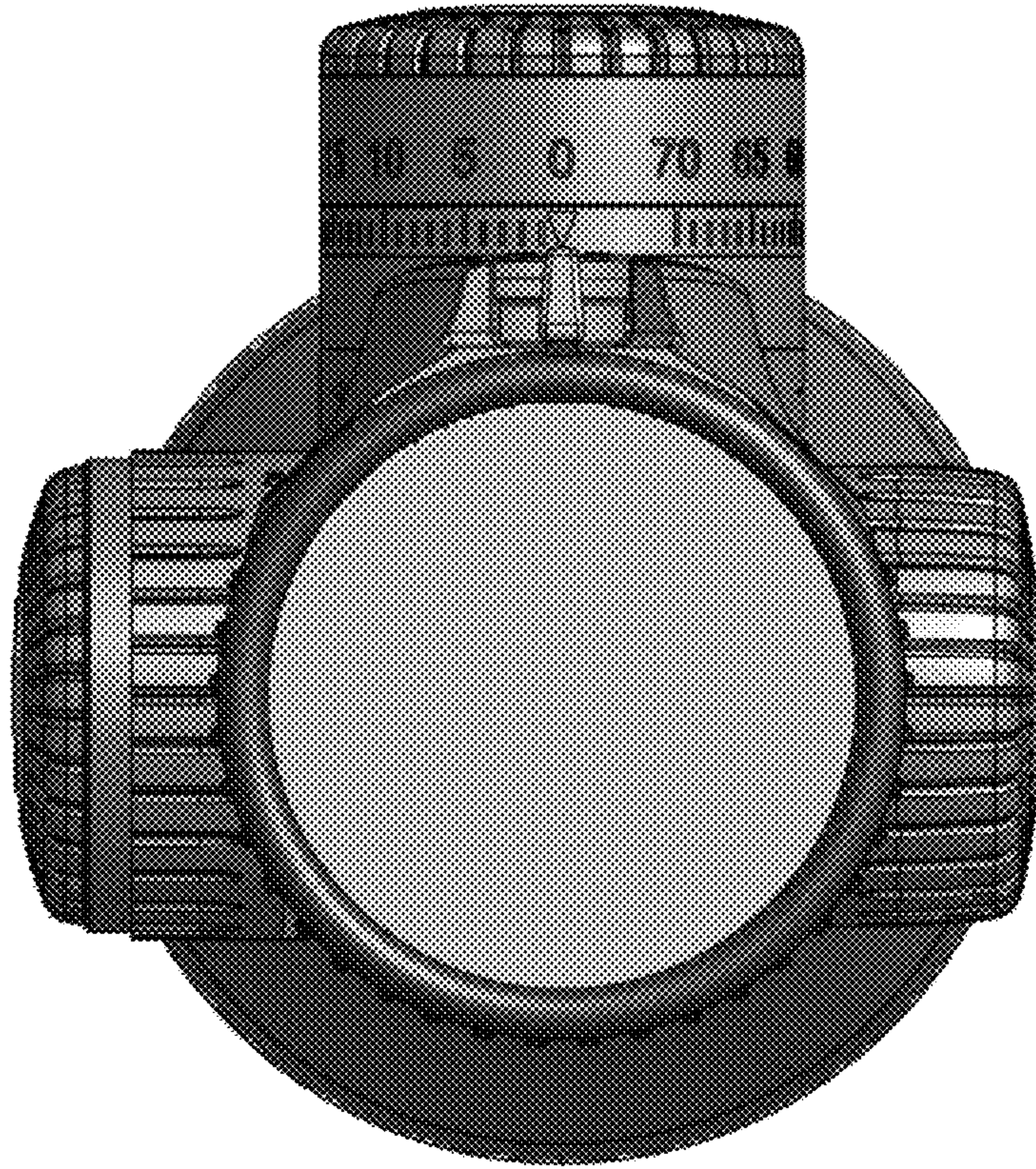
7.1



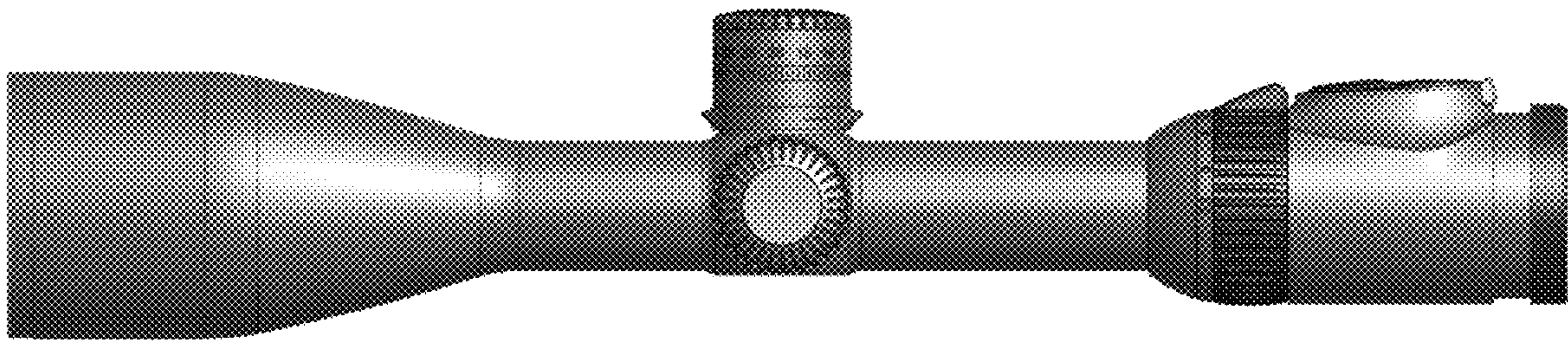
7.2



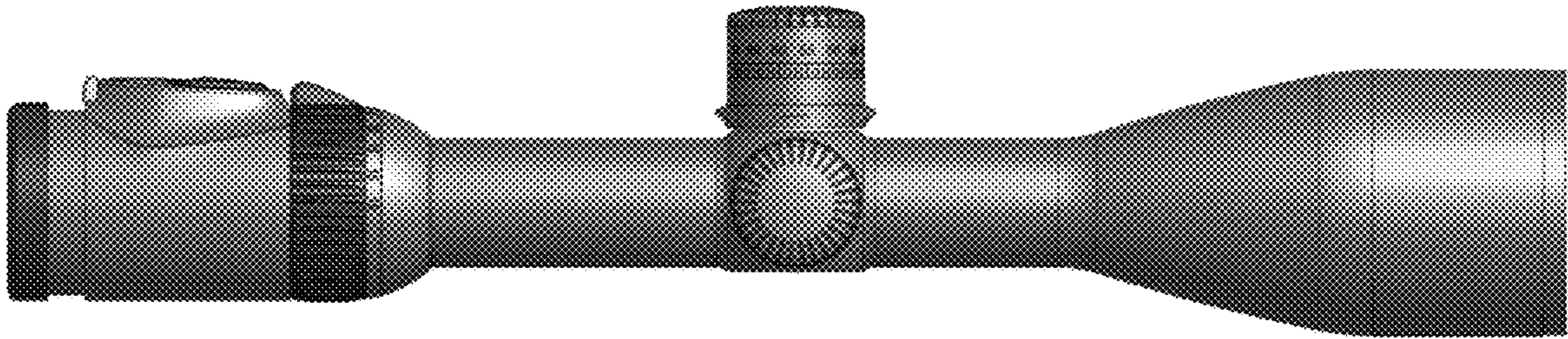
7.3



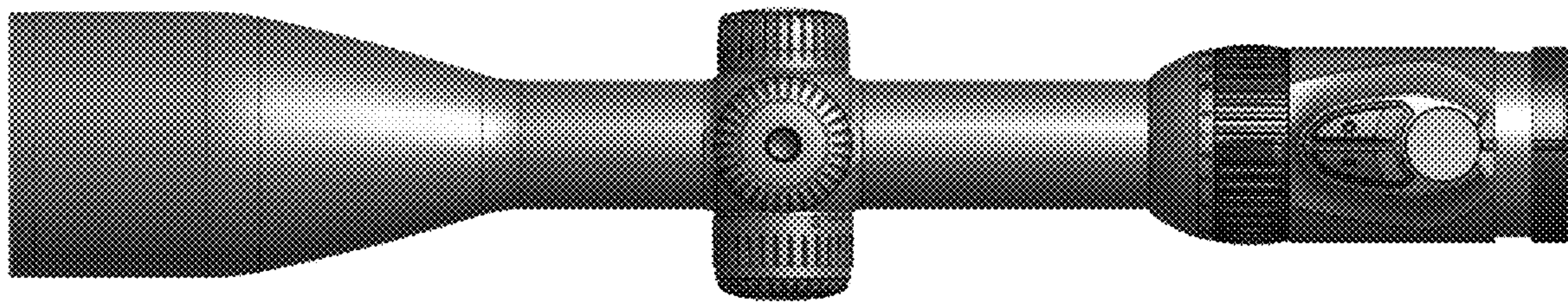
7.4



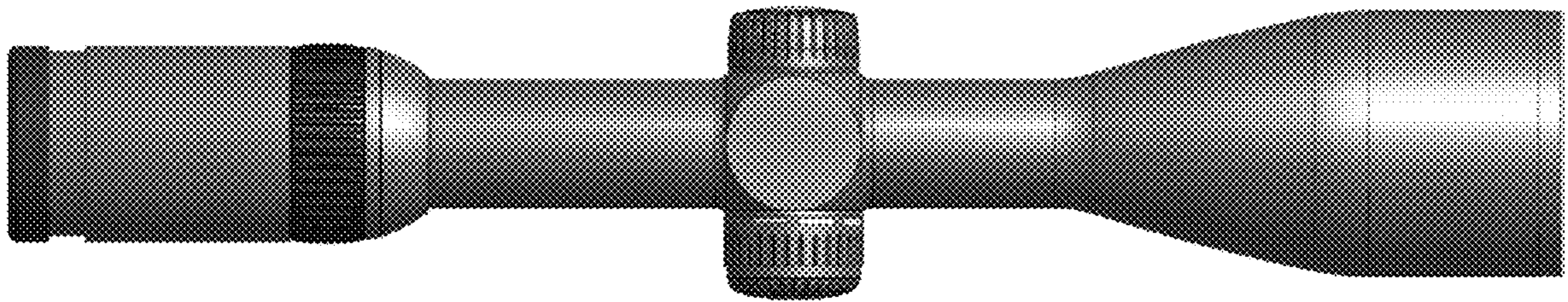
7.5



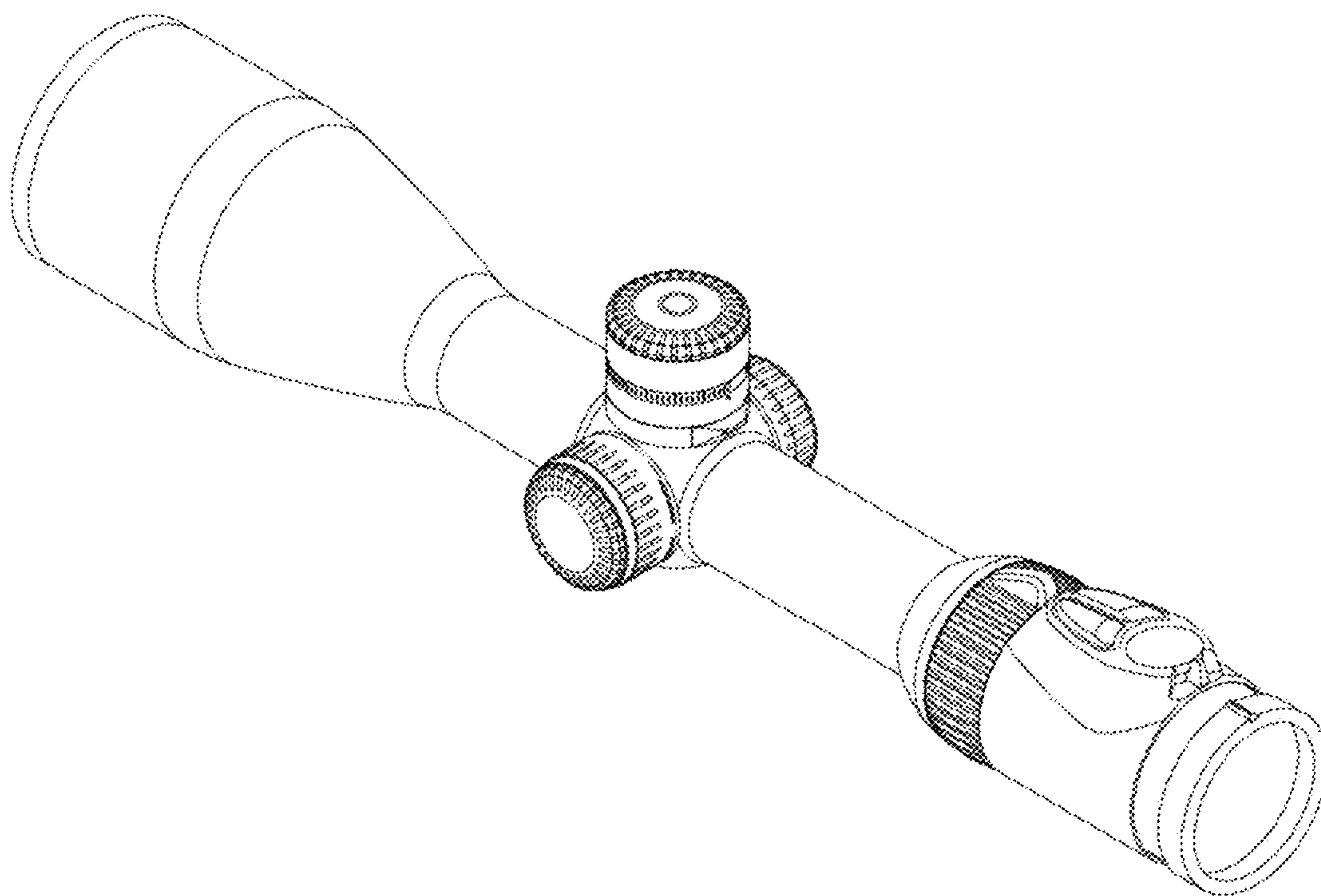
7.6



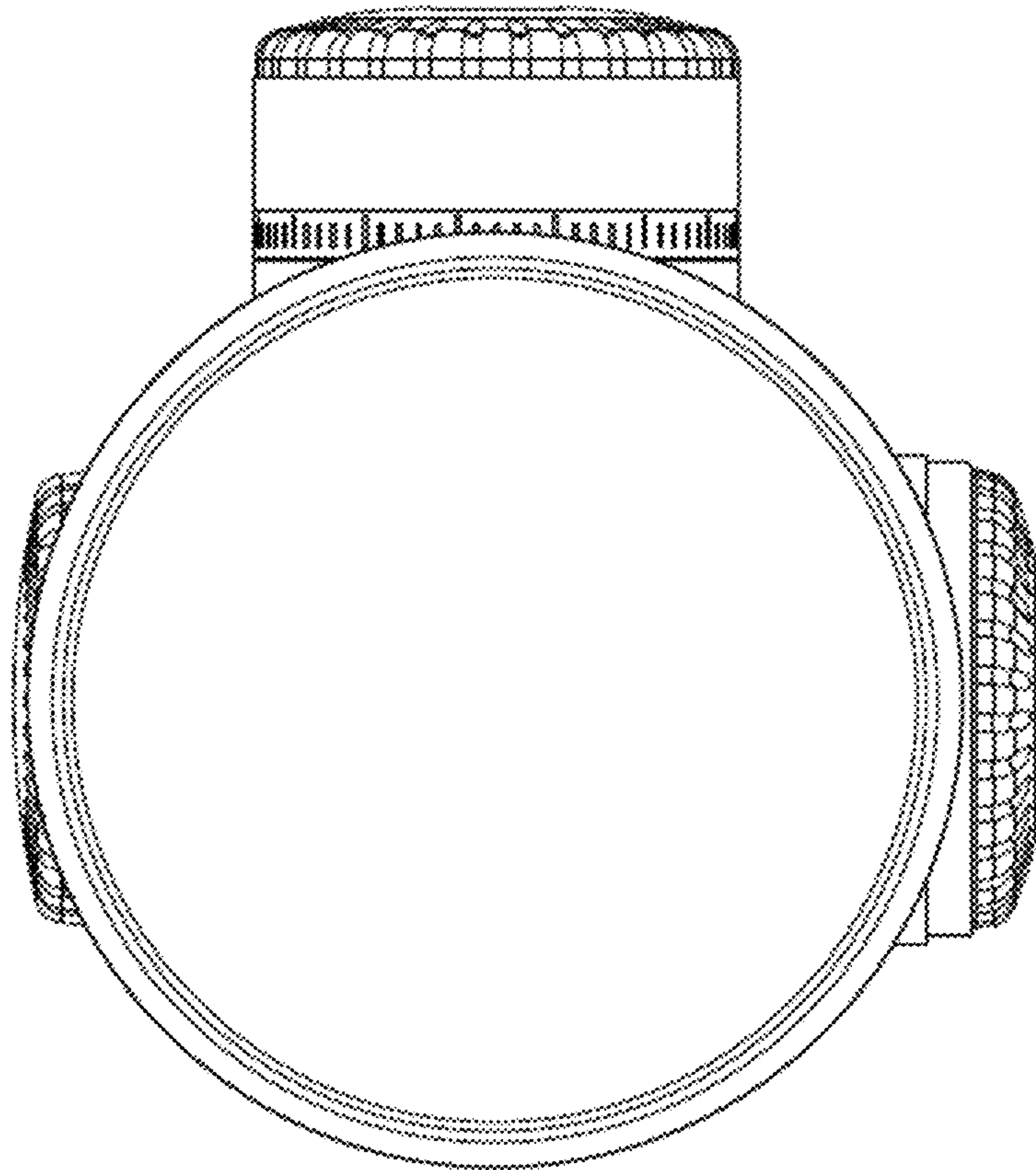
7.7



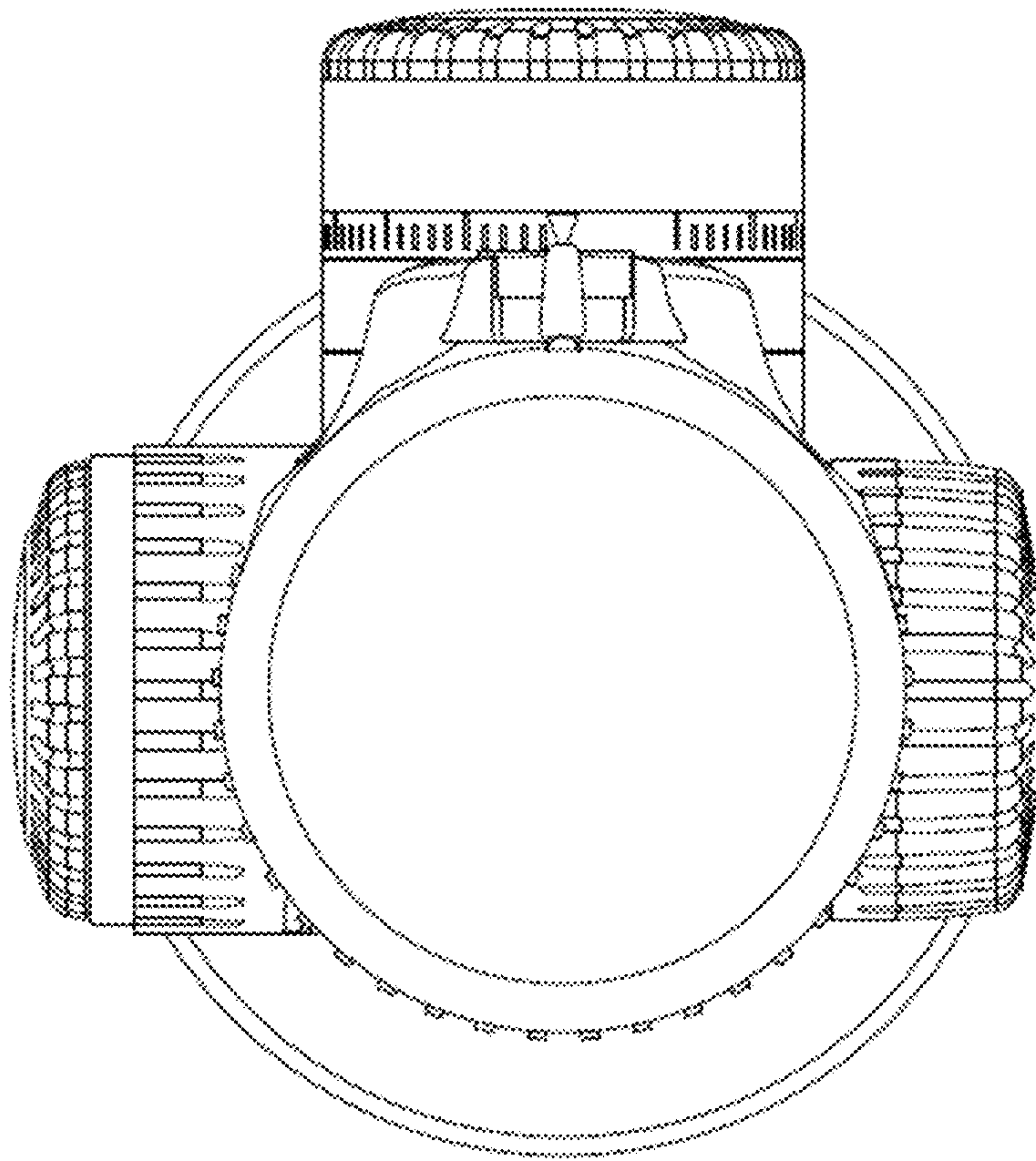
8.1



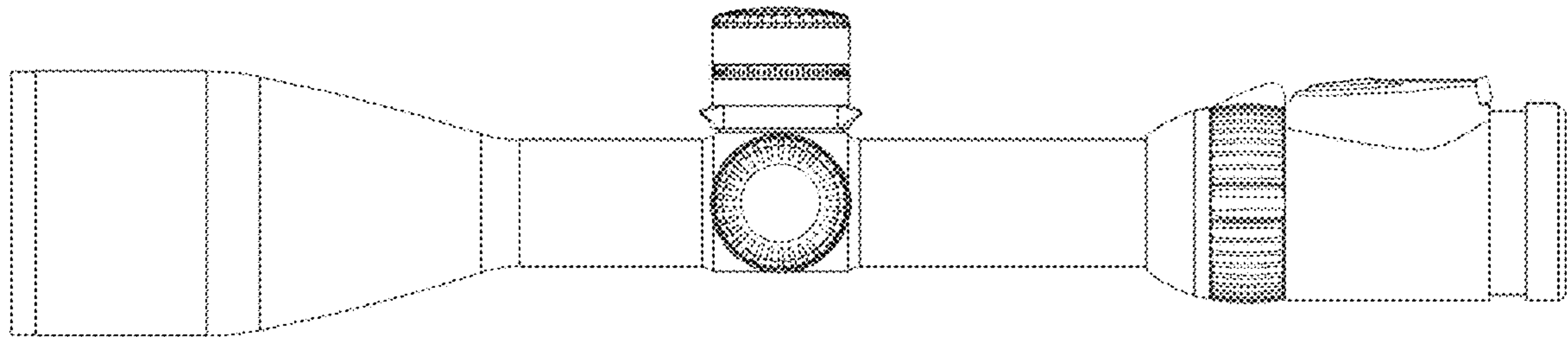
8.2



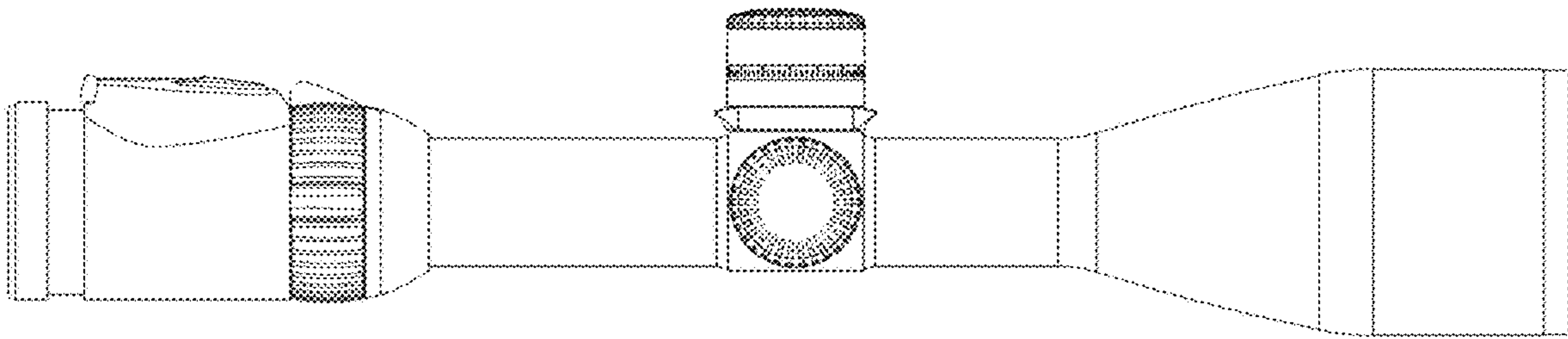
8.3



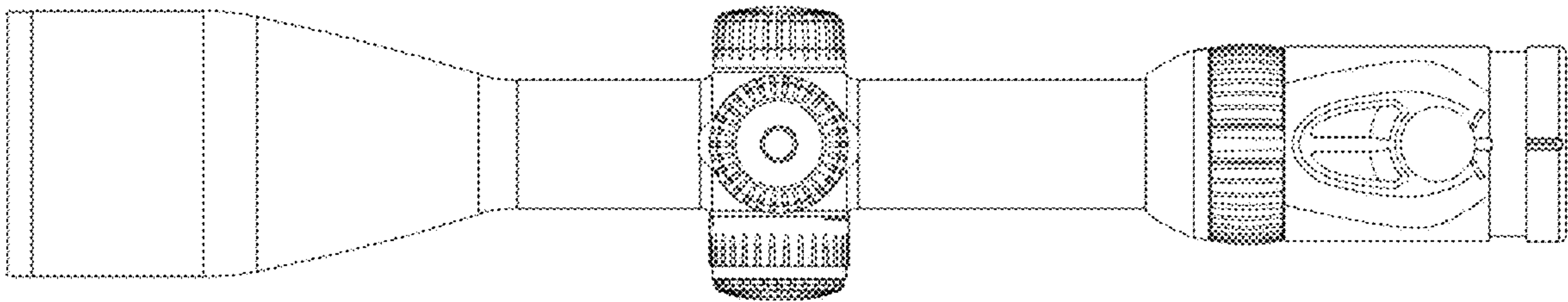
8.4



8.5



8.6



8.7

