



US00D792938S

(12) **United States Design Patent** (10) **Patent No.:** **US D792,938 S**
Arnedo Vera et al. (45) **Date of Patent:** **** Jul. 25, 2017**

(54) **GUN STOCK**

(71) Applicant: **GAMO OUTDOOR, S.L.**, Sant Boi de Llobregat (Barcelona) (ES)

(72) Inventors: **Julian Arnedo Vera**, Sant Boi de Llobregat (Barcelona) (ES); **Victor Tresserras Torre**, Sant Boi de Llobregat (Barcelona) (ES)

(73) Assignee: **GAMO OUTDOOR, S.L.**, Saint Boi de Llobregat (Barcelona) (ES)

(**) Term: **15 Years**

(21) Appl. No.: **29/594,123**

(22) Filed: **Feb. 15, 2017**

Related U.S. Application Data

(62) Division of application No. 35/500,368 (U.S. filing date under 35 U.S.C. 384), and having an international filing date of Dec. 9, 2015.

(51) **LOC (10) Cl.** **22-01**

(52) **U.S. Cl.**
USPC **D22/108**

(58) **Field of Classification Search**
USPC D22/108
CPC F41C 23/20
See application file for complete search history.

(56) **References Cited**

U.S. PATENT DOCUMENTS

D631,526 S * 1/2011 Torre D22/108
D701,283 S * 3/2014 Vera D22/108
D712,996 S * 9/2014 Tresserras Torre D22/108
D744,055 S * 11/2015 Bitz D22/108
9,429,387 B1 * 8/2016 Barfoot F41C 23/16

* cited by examiner

Primary Examiner — George D Kirschbaum

(74) *Attorney, Agent, or Firm* — Knobbe, Martens, Olson & Bear, LLP

(57) **CLAIM**

The ornamental design for a gun stock, as shown and described.

DESCRIPTION

FIG. 1 is perspective view of a gun stock according to my new design.

FIG. 2 is a back elevational view thereof.

FIG. 3 is a front elevational view thereof.

FIG. 4 is a top plan view thereof.

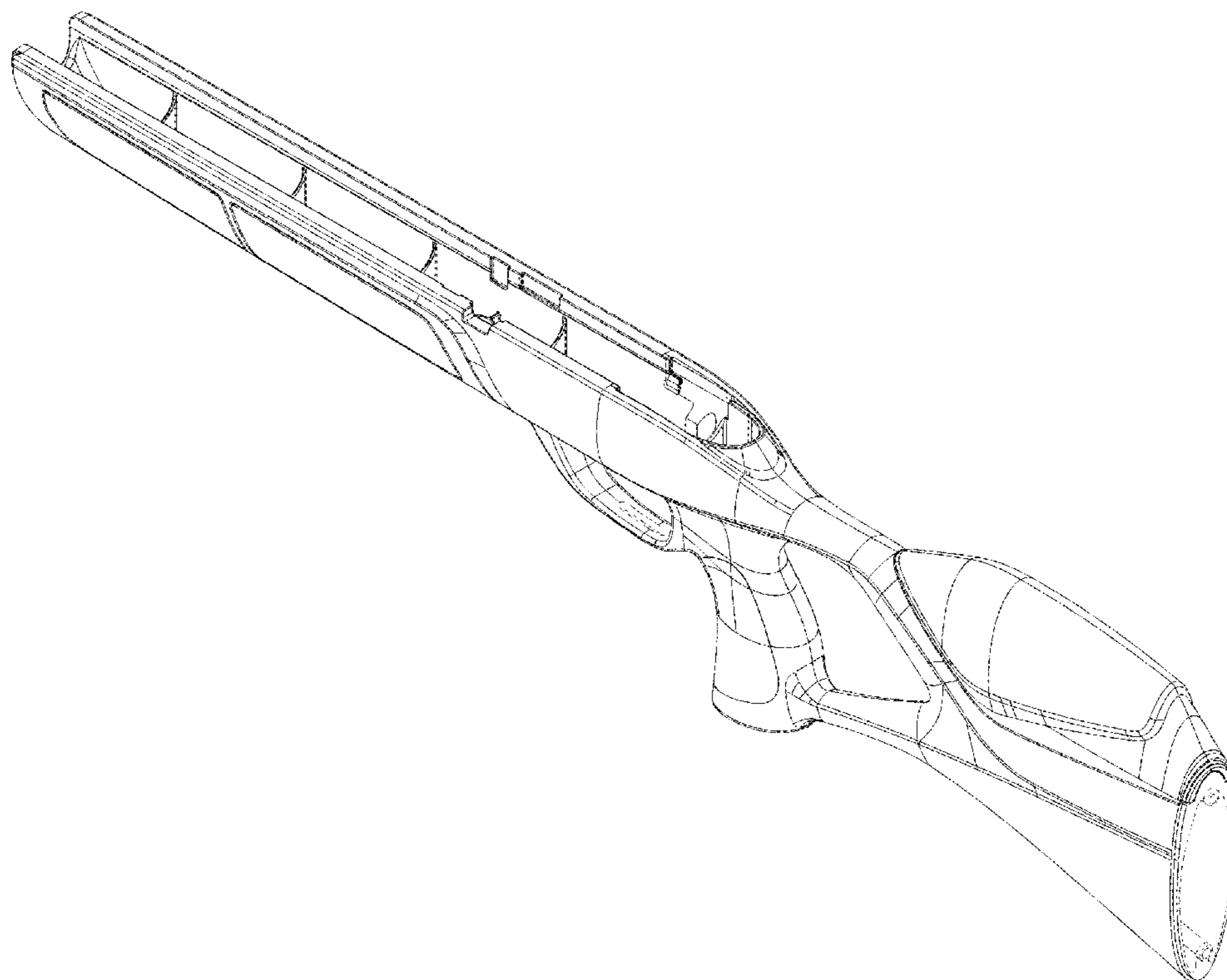
FIG. 5 is a bottom plan view thereof.

FIG. 6 is a left side elevational view thereof; and,

FIG. 7 is a right side elevational view thereof.

The broken lines that appear in the drawings depict environmental features that form no part of the claimed design.

1 Claim, 7 Drawing Sheets



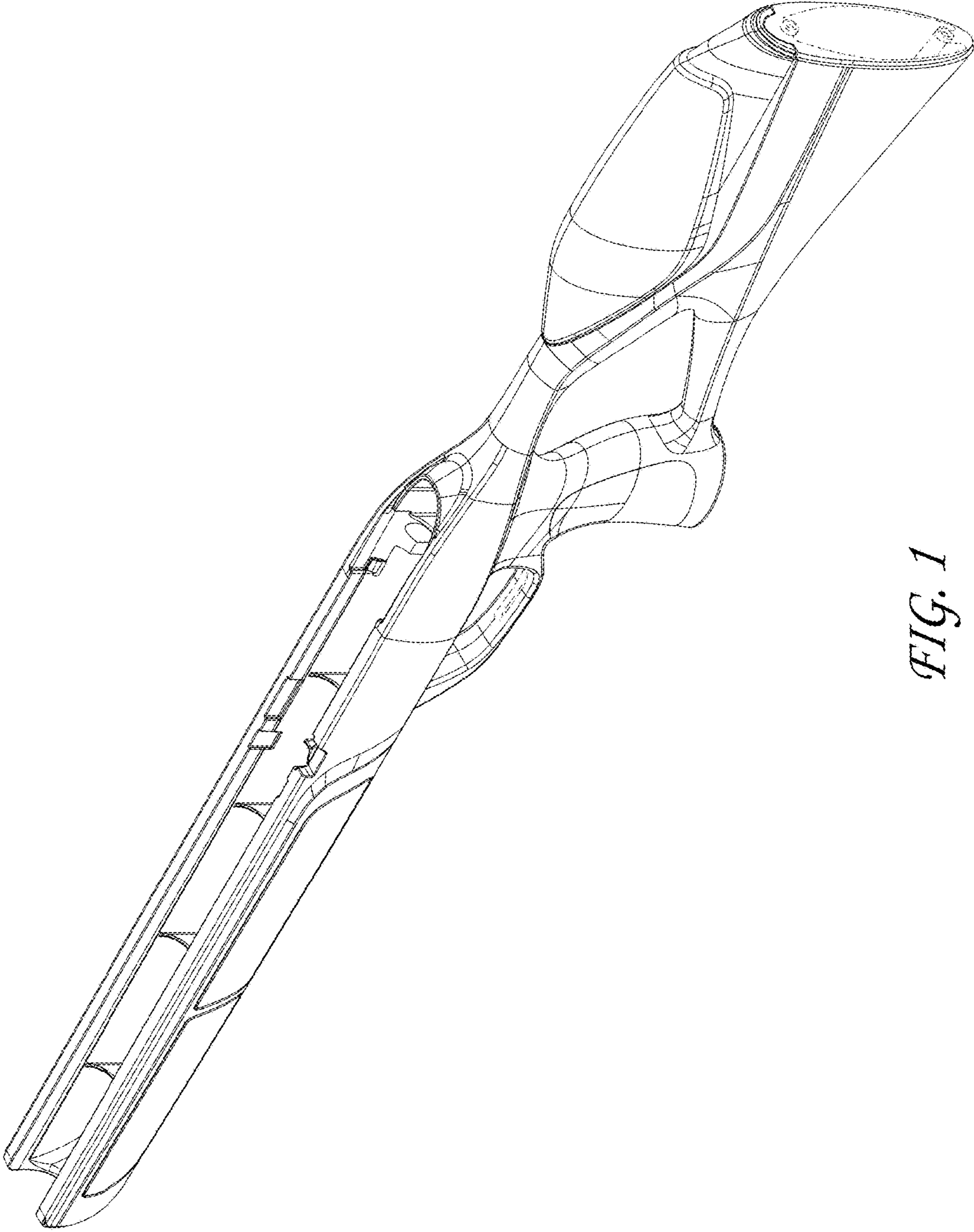


FIG. 1

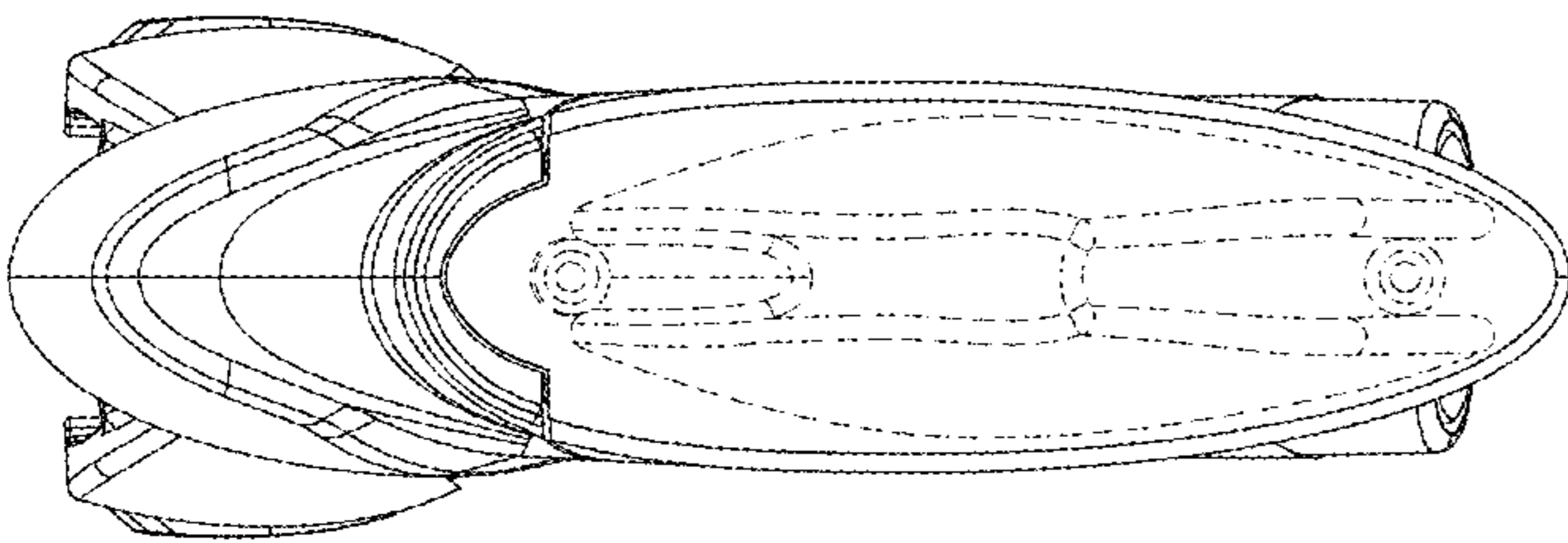


FIG. 2

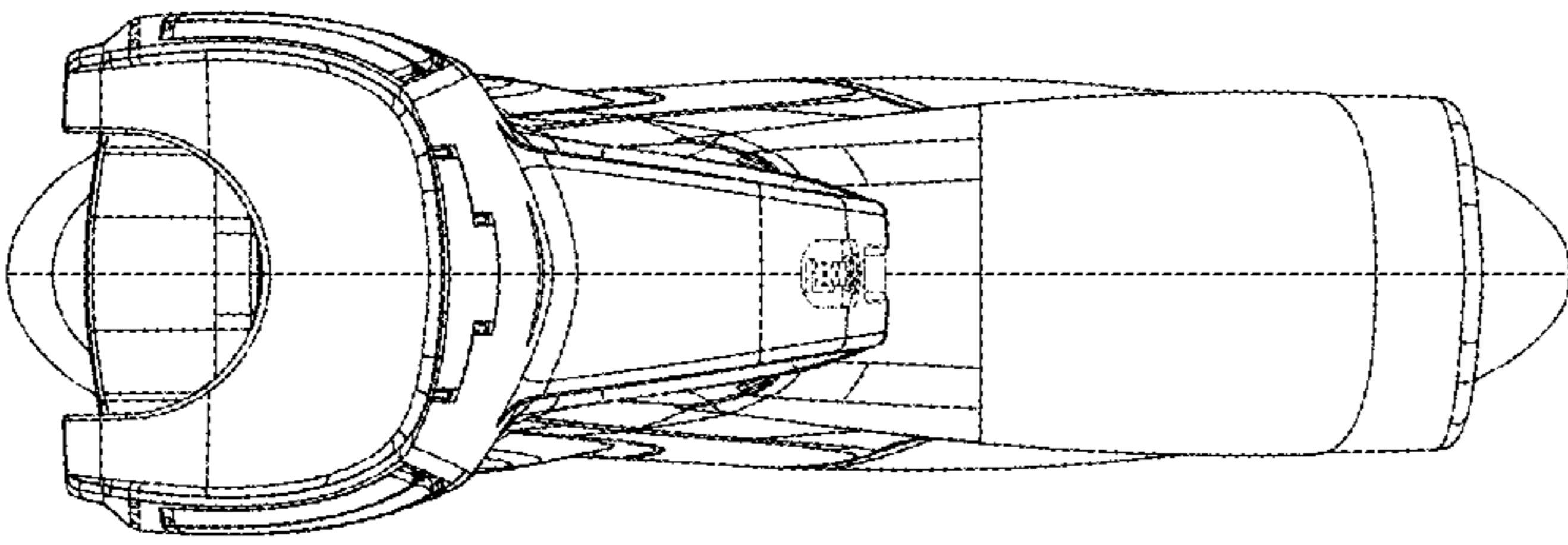


FIG. 3

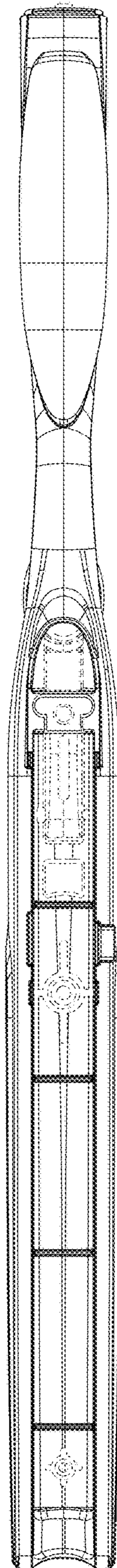


FIG. 4

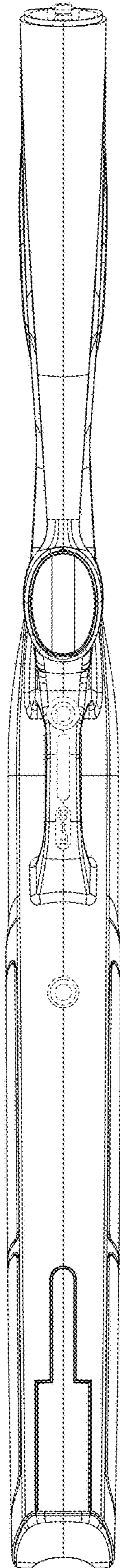


FIG. 5

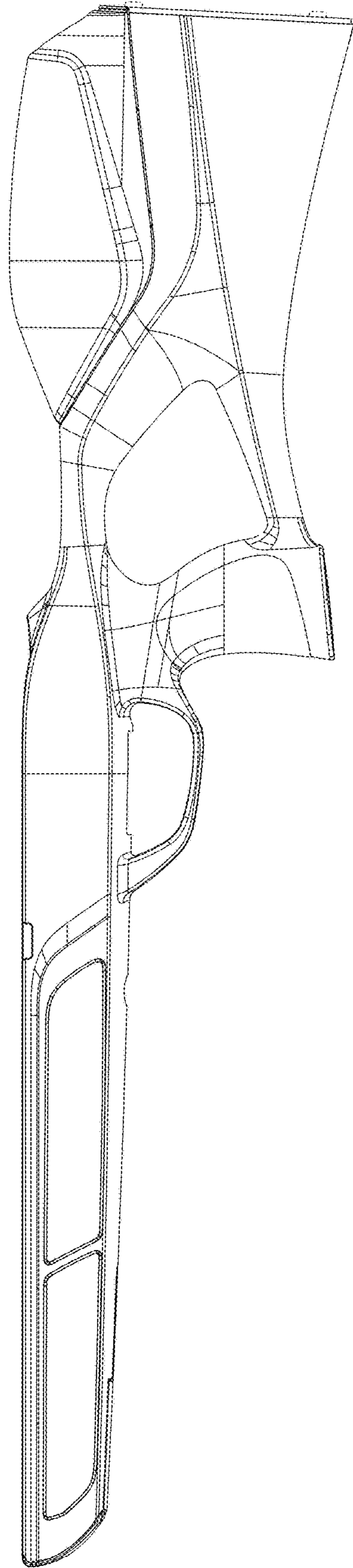


FIG. 6

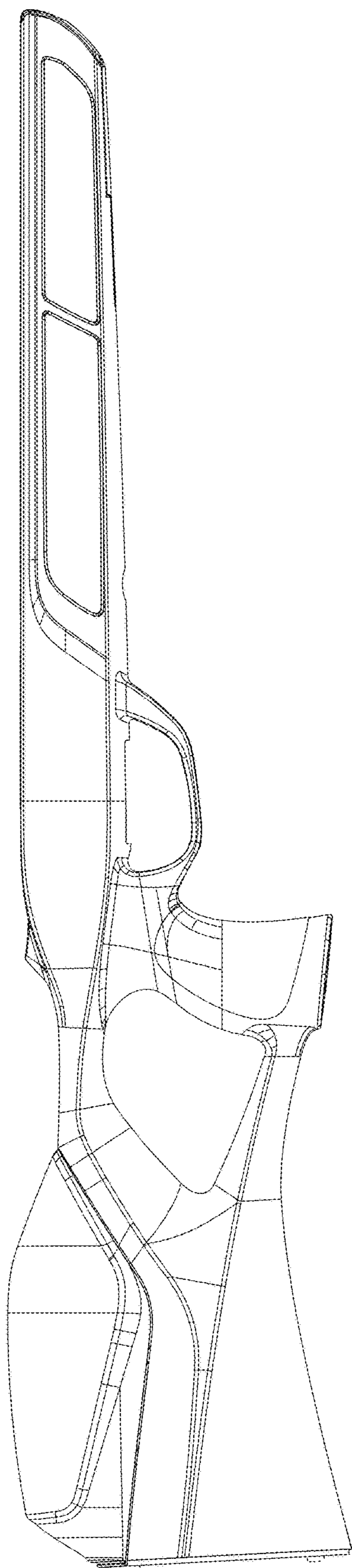


FIG. 7