



US00D792937S

(12) **United States Design Patent**
Eitan et al.

(10) **Patent No.:** **US D792,937 S**
(45) **Date of Patent:** **** Jul. 25, 2017**

(54) **ADJUSTABLE BUTTSTOCK FOR A FIREARM**

(71) Applicant: **Magpul Industries Corporation**,
Louisville, CO (US)

(72) Inventors: **Yehezkel Eitan**, Johnstown, CO (US);
Michael T. Mayberry, Denver, CO (US);
Richard Fitzpatrick, West Lake Hills, TX (US)

(73) Assignee: **Magpul Industries Corporation**,
Louisville, CO (US)

(**) Term: **15 Years**

(21) Appl. No.: **29/588,511**

(22) Filed: **Dec. 21, 2016**

Related U.S. Application Data

(62) Division of application No. 29/551,199, filed on Jan. 11, 2016, now Pat. No. Des. 779,018.

(51) **LOC (10) Cl.** **22-01**

(52) **U.S. Cl.**
USPC **D22/108**

(58) **Field of Classification Search**

USPC D22/103, 108-110, 104, 105, 101;
D21/401, 461, 567, 568, 570-575;
124/16, 26-29, 54, 73-77; 222/78, 79;
42/54, 57, 58, 71.01, 72-74, 75.03, 90;
(Continued)

(56) **References Cited**

U.S. PATENT DOCUMENTS

922,173 A 5/1909 Lovelace
1,032,628 A 7/1912 Sherman
1,651,299 A 11/1927 Stansel
(Continued)

OTHER PUBLICATIONS

Magpul UBR AR-15 adjustable stock in FDE, GunListings.org, [online], [site visited Apr. 5, 2017]. <URL: http://www.gunlistings.org/ohio-gun-classifieds/cleveland/all/93173/magpul_ubr_ar15_adjustable_stock_in_fde>.*

(Continued)

Primary Examiner — T. Chase Nelson

Assistant Examiner — Jonathan J Han

(74) *Attorney, Agent, or Firm* — Swanson & Bratschun, L.L.C.

(57) **CLAIM**

The ornamental design for an adjustable buttstock for a firearm, as shown and described.

DESCRIPTION

FIG. 1 is a left, front, bottom perspective view of an adjustable buttstock for a firearm;

FIG. 2 is a right, rear, top perspective view of the adjustable buttstock for a firearm of FIG. 1;

FIG. 3 is a right side elevation view of the adjustable buttstock for a firearm of FIG. 1;

FIG. 4 is a left side elevation view of the adjustable buttstock for a firearm of FIG. 1;

FIG. 5 is a rear elevation view of the adjustable buttstock for a firearm of FIG. 1;

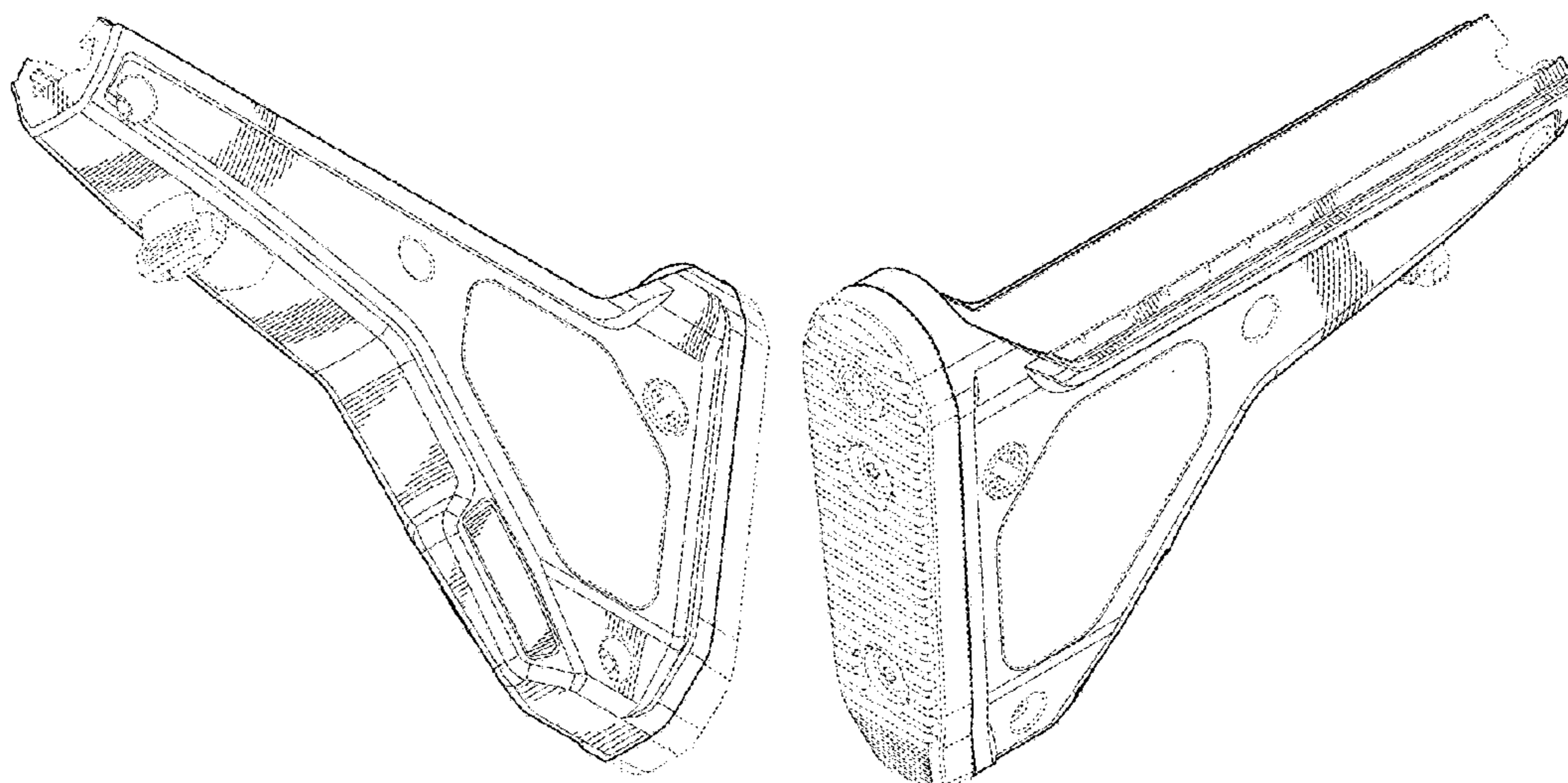
FIG. 6 is a front elevation view of the adjustable buttstock for a firearm of FIG. 1;

FIG. 7 is a top plan view of the adjustable buttstock for a firearm of FIG. 1; and,

FIG. 8 is a bottom plan view of the adjustable buttstock for a firearm of FIG. 1.

The broken lines showing portions of the design in all figures are included for the purpose of illustrating environment and unclaimed features and form no part of the claimed design. In some instances the broken lines indicate a boundary line and the unshaded surfaces within the boundary line form no part of the claimed design.

1 Claim, 6 Drawing Sheets



(56)

References Cited

U.S. PATENT DOCUMENTS

2013/0305579	A1 *	11/2013	Ward	F41C 23/22 42/71.01
2014/0007763	A1 *	1/2014	Foster	F41A 19/03 89/136
2014/0075815	A1	3/2014	Jarboe		
2014/0190058	A1 *	7/2014	Ballard	F42B 39/02 42/90
2014/0196343	A1	7/2014	Wilson		
2015/0338187	A1	11/2015	Priddy		
2016/0187099	A1	6/2016	Cottle		

OTHER PUBLICATIONS

Gear Review: Magpul UBR Stock, TheTruthAboutGuns.com, Tyler Kee, Mar. 23, 2012, [online], [site visited Apr. 5, 2017]. <URL: <http://www.thetruthaboutguns.com/2012/03/tyler-kee/gear-review-magpul-ubr-stock/>>.*

Magpul UBR GEN2 9-Position Collapsible AR-15 Synthetic, MidwayUSA.com, [online], [site visited Apr. 5, 2017]. <URL: <http://www.midwayusa.com/product/2319215639/magpul-ubr-gen2-9-position-collapsible-ar-15-synthetic>>.*

New From Magpul: UBR 2.0 Stock, TheTruthAboutGuns.com, Nick Leghorn, Jan. 13, 2016, [online], [site visited Apr. 5, 2017]. <URL: <http://www.thetruthaboutguns.com/2016/01/foghorn/magpul-launches-ubr-2-0-stock/>>.*

First Look: Magpul UBR 2.0, GunsandAmmo.com, by G&A Online Editors, Jan. 28, 2016, [online], [site visited Apr. 5, 2017]. <URL: <http://www.gunsandammo.com/shot-show-2016/first-look-magpul-ubr-2-0/>>.*

Ace L To (HMR) Hammer Stock, AR Replacement-Stock Options, Part 1, The Shooter's Log, by Robert Sadowski, published on Aug. 15, 2014 in Firearms, [online], [site visited Sep. 30, 2016]. <URL: <http://blog.cheaperthandirt.com/ar-replacement-stockoptions-part1/>>.

Archangel Opfor Adjustable Stock AK-47 Polymer, MidwayUSA, [online], [site visited Sep. 30, 2016]. <URL: <http://www.midwayusa.com/product/3357223614/archangel-opfor-adjustable-stock-ak-47-polymer>>.

Command Arms SRS Product Info Online 2008 Command Arms Accessories Online Catalog (2008) SRS Product Information. Ergo Grip 2014 Ergo Grip (Oct. 21, 2014) Ergo F93 Pro Stock™ Website [Online] Available Website: <http://ergogrips.net/products/ergo-f93-pro-stock.html>; Last Update: Jun. 24, 2015; Accessed on: Jan. 18, 2016.

FAB Defense Recoil Reducing Collapsible Buttstock Assembly AK-47, AK-74 Polymer, MidwayUSA, [online], [site visited Sep. 30, 2016]. <URL: <http://www.midwayusa.com/product/2704211913/fab-defense-recoil-reducing-collapsible-buttstock-assembly-ak-47-ak-74-polymer>>.

FAB Defense Tactical Side Folding Buttstock with Adjustable Cheek Rest AK-47 Stamped Receivers Synthetic Black, MidwayUSA, [online], [site visited Sep. 30, 2016]. <URL: <http://www.midwayusa.com/product/432379/fab-defense-tactical-sidefolding-buttstock-with-adjustable-cheek-rest-ak-47-stamped-receivers-synthetic-black>>.

www.midwayusa.com/product/432379/fab-defense-tactical-sidefolding-buttstock-with-adjustable-cheek-rest-ak-47-stamped-receivers-synthetic-black>.

FNH-USA 2010 FN-SCAR 16 w/wikipedia FNH-USA (Apr. 20, 2010) FN-SCAR 16 w/wikipedia definition; Website [Online] Available Web Site: <http://www.fnhusa.com/le/products/firearms/family.asp?fid=fnf022&gid=fng007>; Last Update: unknown; Accessed on Apr. 20, 2010; Wikipedia (Apr. 20, 2010) FN-SCAR. Website [Online] Available Web Site: http://en.wikipedia.org/wiki/FN_SCAR. Last Update: Apr. 19, 2010; Accessed on Apr. 20, 2010. Foltz (Feb. 21, 2007) 5.56mm 30 Round Magazine Improvement Programs; PDF [Online] Available Web Site: <http://www.dtic.mil/ndia/2006smallarms/foltz.pdf> Last Update: Feb. 21, 2007; Accessed on: Apr. 20, 2010.

GLR-16 AR 15/M16 Buttstock, FAB Defense, [online], [site visited Sep. 30, 2016]. <URL: <http://www.fab-defense.com/en/categorybutt-stocks/id-8/ar15-m16-butt-stock.html>>.

HK PSG1A1 Product Online 2008 Heckler & Koch Online Catalog (2008) PSG1A1 Product Information.

Magpul 2007 PRS FAL Online Catalog Magpul Online Catalog (2007) FAL Preproduction Product Information.

Magpul 2007 PRS AR15M16 Online Catalog Magpul Online Catalog (2007) PrS Ar15/M16 Product Information.

Magpul MOE Fixed Stock Mil Spec AR-15- MAG480, AT3 Tactical, [online], [site visited Sep. 30, 2016]. <URL: <http://www.at3tactical.com/co/lectio/ns/fde-ar15-furnitu-re-fl-at-dark-earth-ar15-furnitu-re-by-hog-u-e-mag-pu1-e-rgo-troy-andmore/products/mag480-magpul-magpul-moe-fixed-stk-milspec>>.

Magpul 2015 Buttstocks UBR Collapsible Stock Magpul Industries Corporation (Jan. 23, 2015) UBR® Collapsible Stock; Website [Online] Available Website: <https://www.magpul.com/search-results?PID=88&eComQuery=MAG330&ProductNumber=MAG330>; Last Update: Feb. 26, 2015; Accessed on: Jan. 18, 2015.

ProMag Archangel AK-Series Adjustable Buttstock in Black, Centerfire Systems, [online], [site visited Sep. 30, 2016]. <URL: <http://www.centerfiresystems.com/STKAKA-PM-BL.aspx>>.

Shockwave NE Plus Ultra (Sep. 4, 2014) Shockwave Introduces the Blade AR Pistol Stabilizer; Website [Online] Available Website: <http://shockwavetechnologies.com/site/?p=1724>; Last Update: May 28, 2015; Accessed on: Jan. 18, 2016.

UBR Collapsible Stock, Magpul, [online], [site visited Sep. 30, 2016]. <URL: <https://www.magpul.com/products/firearmsaccessories/buttstocks/ubr-collapsible-stock>>.

Design U.S. Appl. No. 29/399,326, "ACS Rifle Stock" filed Aug. 12, 2011, by Fitzpatrick.

Design U.S. Appl. No. 29/551,197 "Adjustable Buttstock for a Firearm" filed Jan. 11, 2016.

Design U.S. Appl. No.29/588,445 "Adjustable Buttstock for a Firearm" filed Jan. 11, 2016.

Design U.S. Appl. No. 29/551,199 "Adjustable Buttstock for a Firearm" filed Jan. 11, 2016.

Design U.S. Appl. No. 29/588,501 "Adjustable Buttstock for a Firearm" filed Dec. 21, 2016.

* cited by examiner

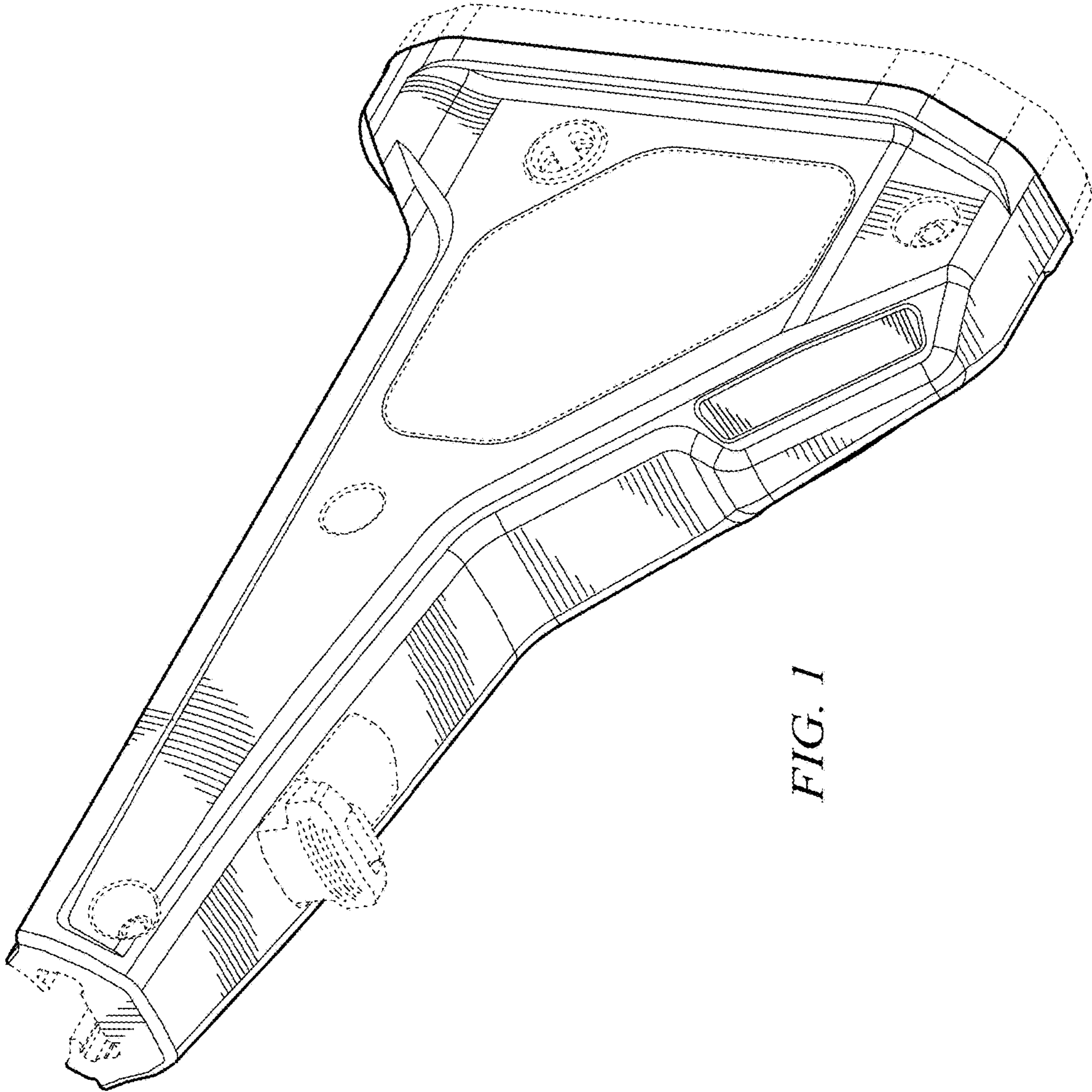


FIG. 1

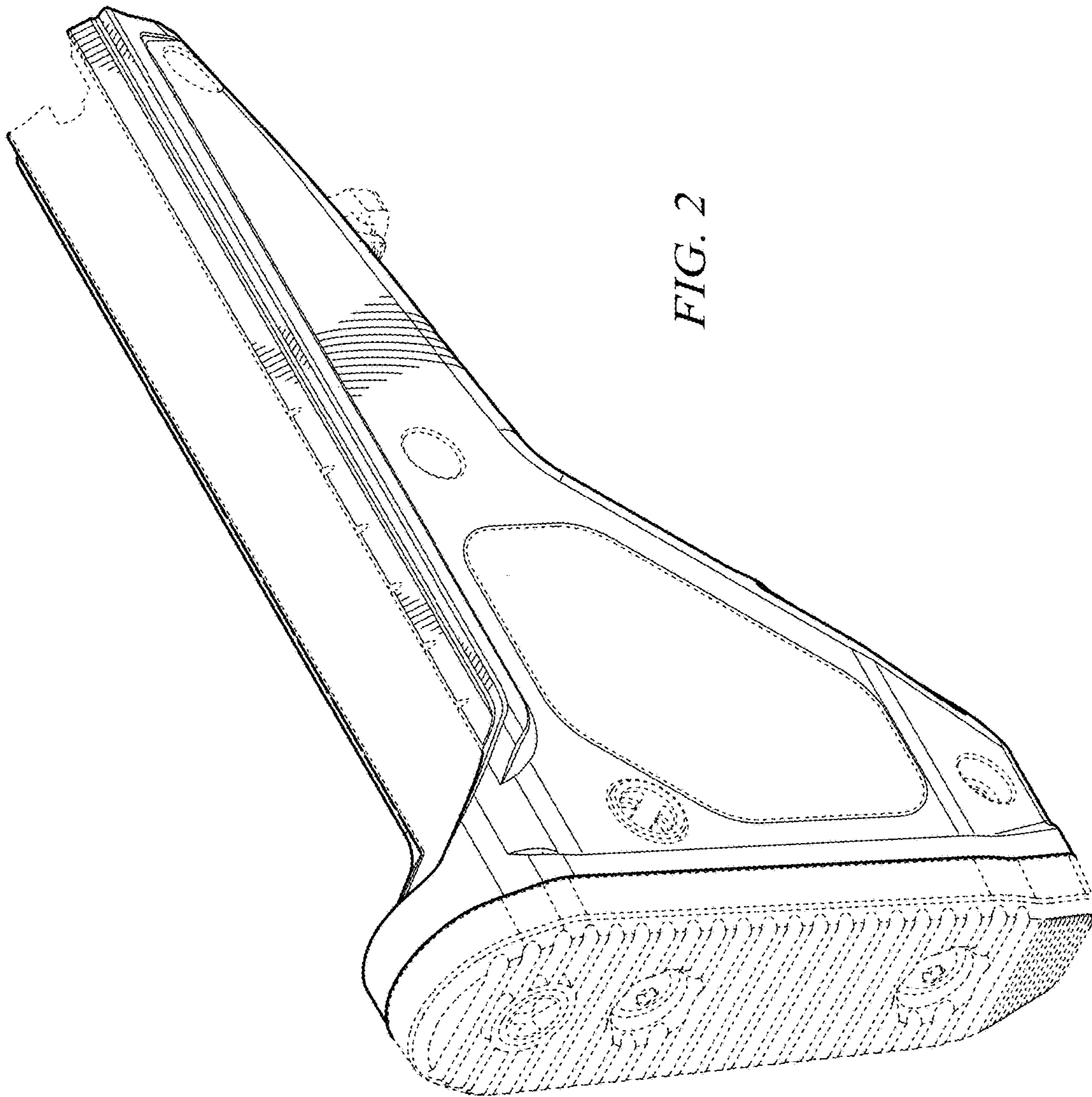
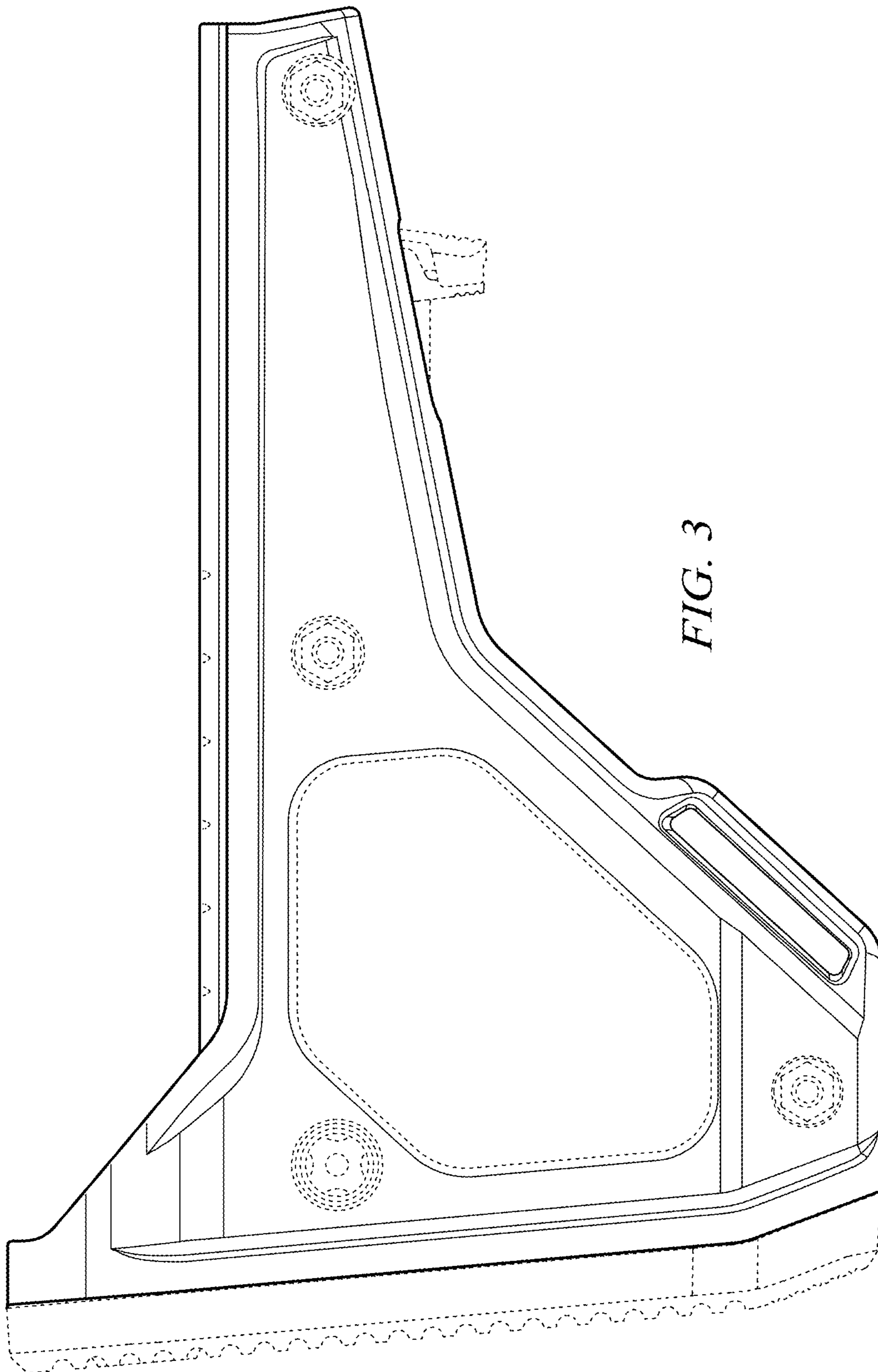


FIG. 2



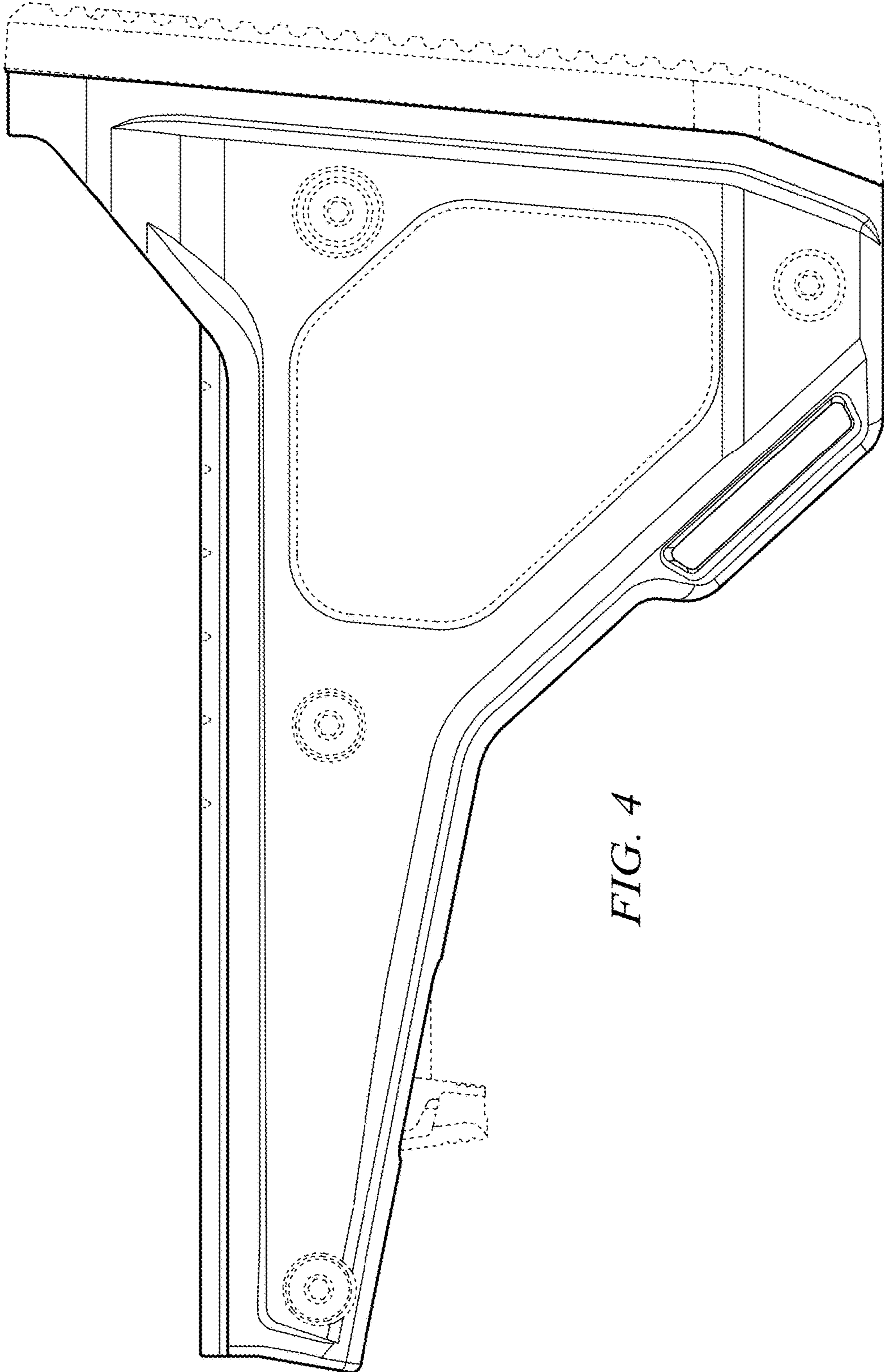


FIG. 4

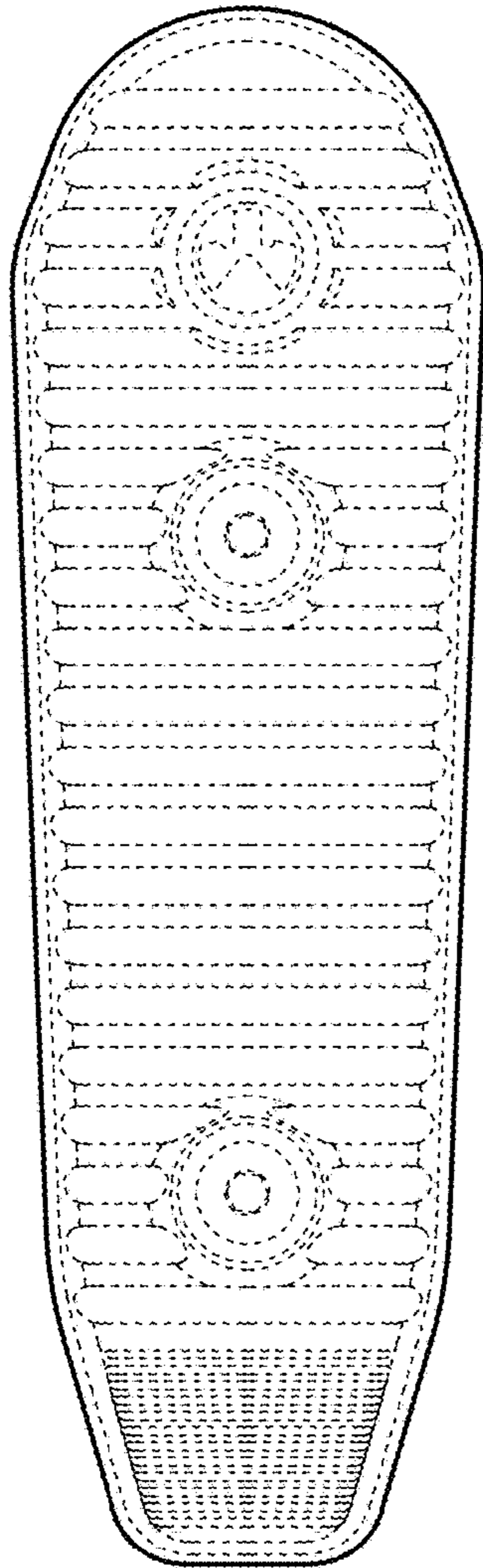


FIG. 5

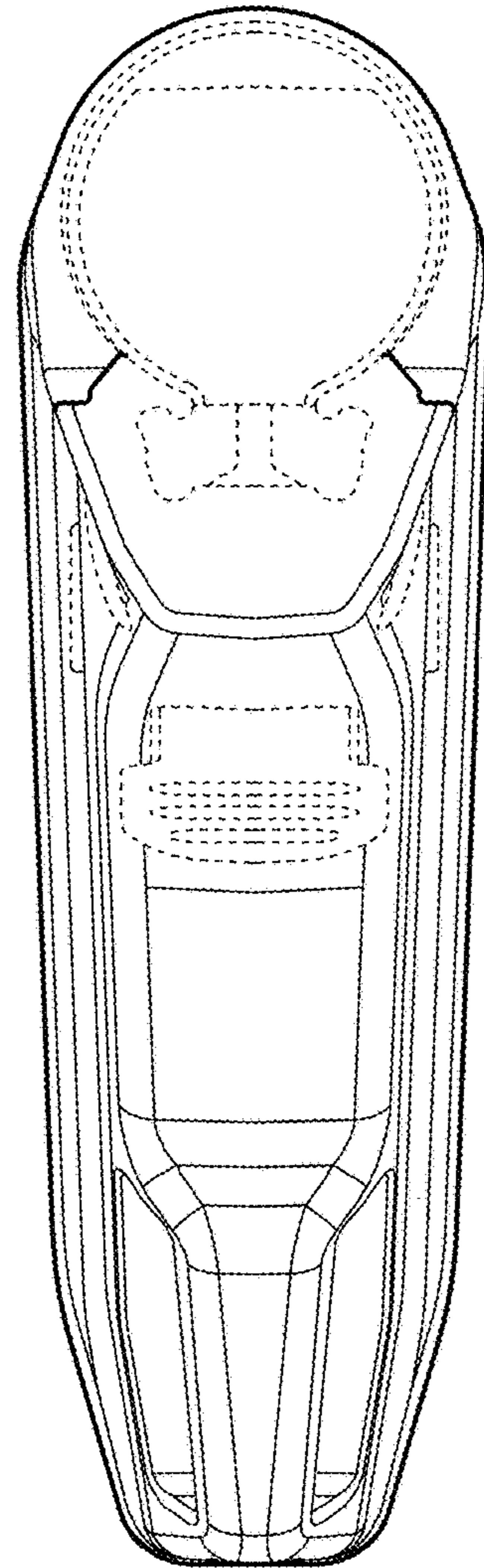


FIG. 6

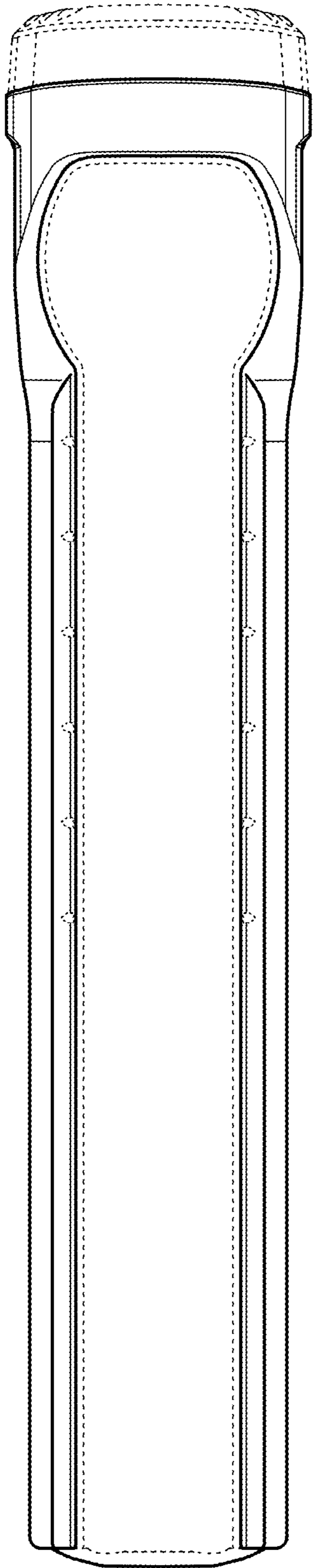


FIG. 7

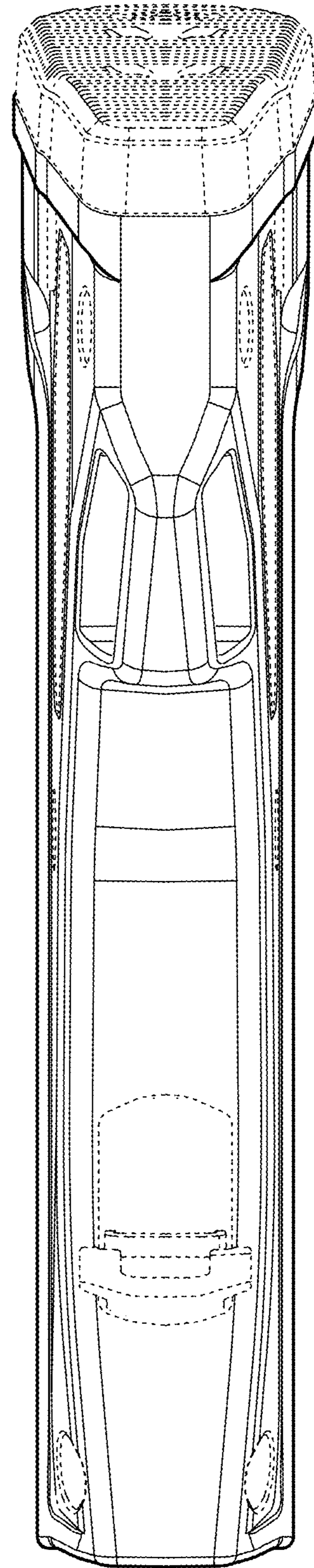


FIG. 8