



US00D792936S

(12) **United States Design Patent**
Eitan et al.

(10) **Patent No.:** **US D792,936 S**

(45) **Date of Patent:** **** Jul. 25, 2017**

(54) **ADJUSTABLE BUTTSTOCK FOR A
FIREARM**

F41C 23/12; F41C 23/14; F41C 23/16;
F41C 23/18; F41C 23/20; F41C 23/22
See application file for complete search history.

(71) Applicant: **Magpul Industries Corporation,**
Louisville, CO (US)

(56) **References Cited**

U.S. PATENT DOCUMENTS

(72) Inventors: **Yehezkel Eitan,** Johnstown, CO (US);
Timothy E. Roberts, Broomfield, CO
(US); **Michael T. Mayberry,** Denver,
CO (US); **Richard Fitzpatrick,** West
Lake Hills, TX (US)

922,173	A	5/1909	Lovelace	
1,032,628	A	7/1912	Sherman	
1,651,299	A	11/1927	Stansel	
3,348,328	A	10/1967	Earl	
3,618,249	A	11/1971	Grandy	
3,710,496	A	1/1973	Packmayr	
D241,836	S	10/1976	Ruger	
4,120,108	A	10/1978	Vickers	
4,122,623	A	10/1978	Stice	
4,203,243	A	5/1980	Hickman	
4,383,384	A	5/1983	Fox	
4,589,219	A	5/1986	Milliman	
4,663,877	A	5/1987	Bragg	
D297,855	S	9/1988	Ruger	
4,788,785	A	12/1988	White	
4,896,446	A	1/1990	Gregory	
5,031,348	A	7/1991	Carey	
5,075,995	A	12/1991	Kennel	
D324,557	S	3/1992	Livingston	
D382,037	S	8/1997	Scott	
5,933,997	A	8/1999	Barrett	
6,543,172	B1	4/2003	Armstrong	
6,598,330	B2	7/2003	Garrett	
6,637,141	B1	10/2003	Weatherby	
D514,123	S	1/2006	Naruki	
D515,637	S	2/2006	Hatcher	
D516,660	S	3/2006	Murello	
D516,807	S	3/2006	Richardson	
D517,637	S	3/2006	Murello	
D523,096	S	6/2006	Pflaumer	
D524,871	S *	7/2006	Nunokawa	D21/324
7,162,823	B2	1/2007	Schoppman	
D551,313	S	9/2007	Saur	
D589,578	S	3/2009	Choma	
D600,308	S *	9/2009	Fitzpatrick	F41C 23/20 D22/109
D603,013	S	10/2009	Fitzpatrick	
D606,614	S	12/2009	Fitzpatrick	
D607,078	S	12/2009	Chu	
7,647,719	B2	1/2010	Fitzpatrick	
D610,218	S	2/2010	Barrett	
7,762,018	B1 *	7/2010	Fitzpatrick	F41A 11/02 42/73
7,810,270	B2	10/2010	Fitzpatrick	
7,827,722	B1	11/2010	Davies	

(73) Assignee: **Magpul Industries Corporation,**
Louisville, CO (US)

(**) Term: **15 Years**

(21) Appl. No.: **29/588,501**

(22) Filed: **Dec. 21, 2016**

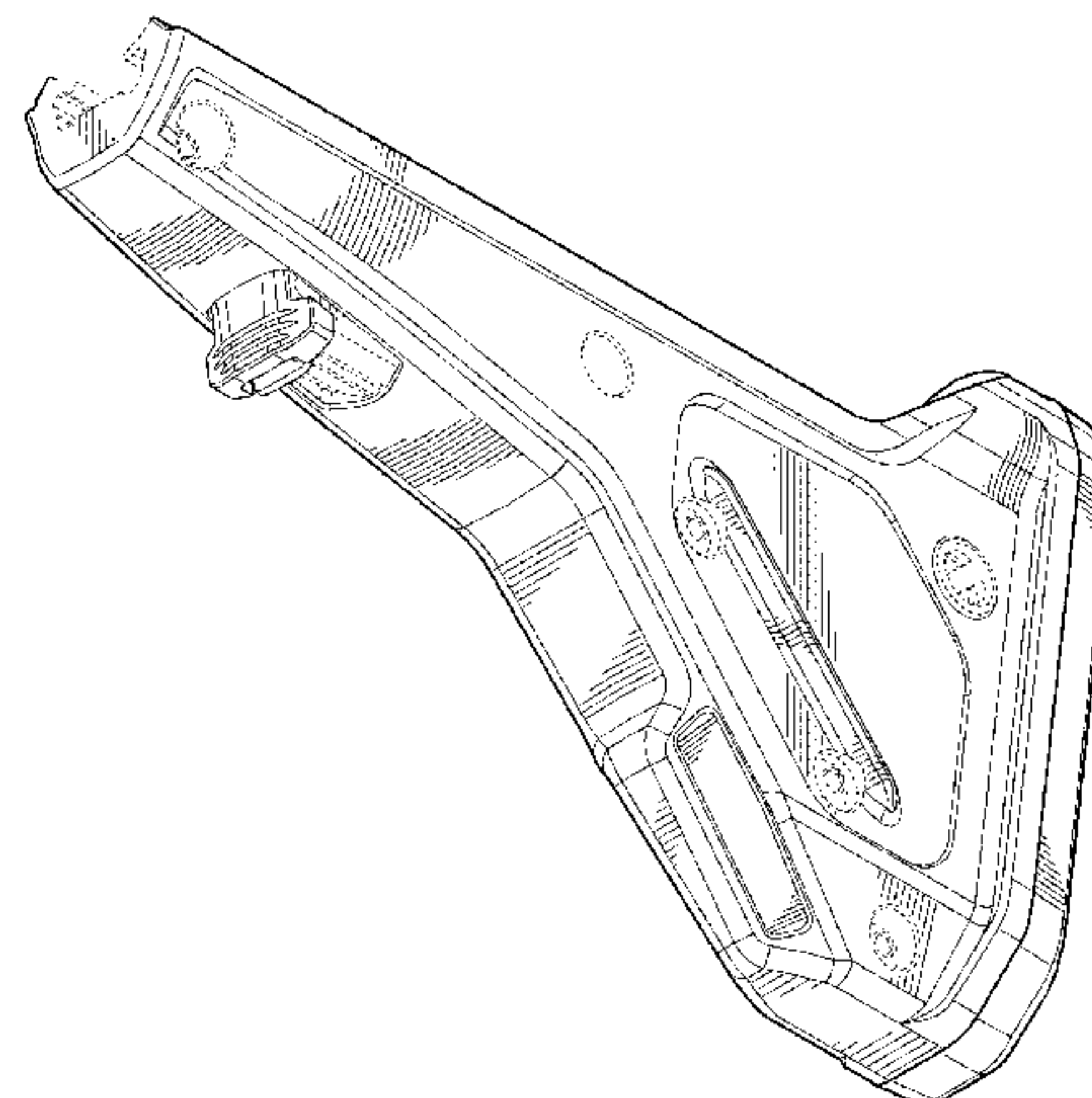
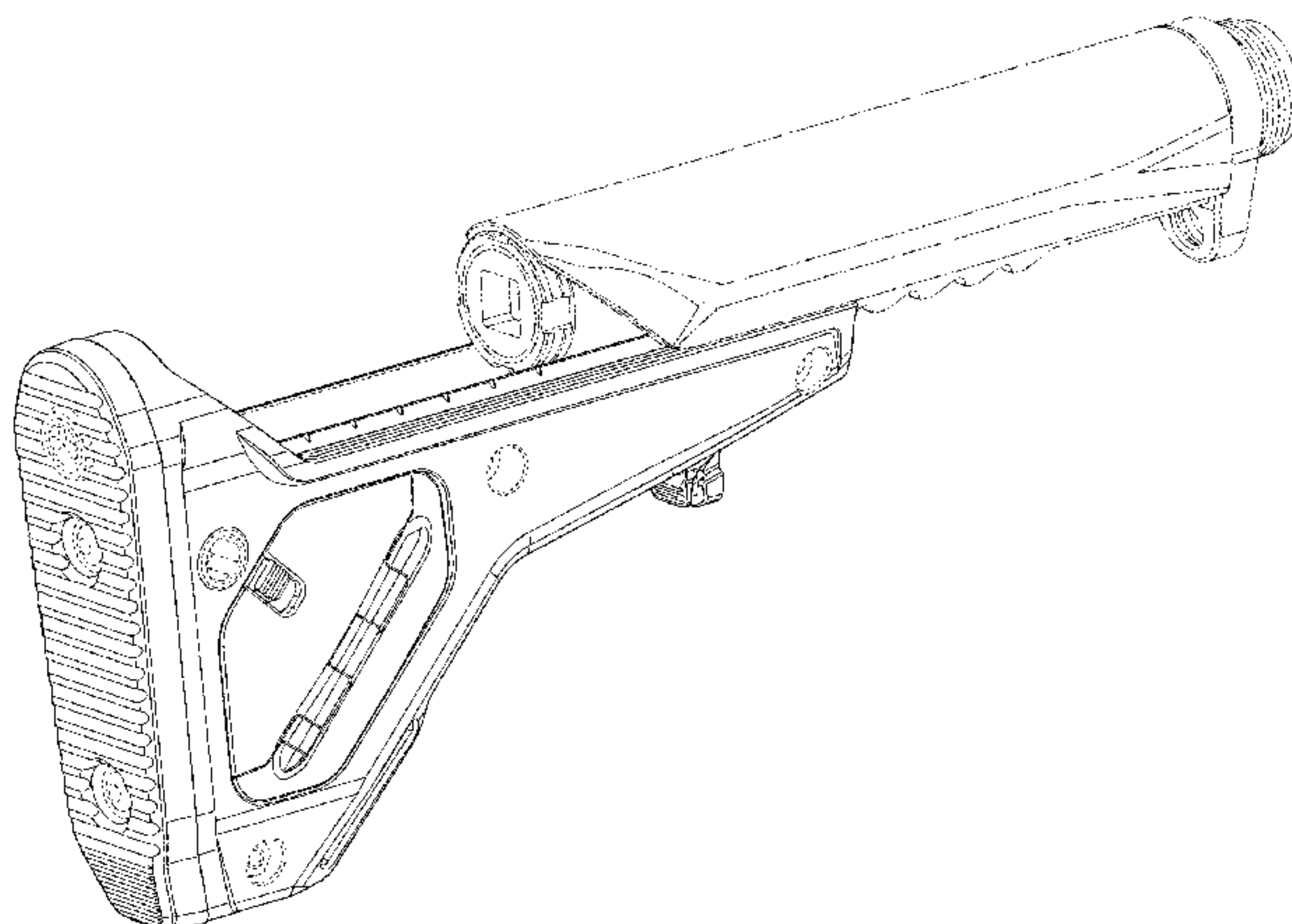
Related U.S. Application Data

(62) Division of application No. 29/551,199, filed on Jan.
11, 2016, now Pat. No. Des. 779,018.

(51) **LOC (10) Cl.** **22-01**

(52) **U.S. Cl.**
USPC **D22/108**

(58) **Field of Classification Search**
USPC D22/103, 108-110, 104, 105, 101;
D21/401, 461, 567, 568, 570-575;
124/16, 26-29, 54, 73-77; 222/78, 79;
42/54, 57, 58, 71.01, 72-74, 75.03, 90;
446/23, 182, 192, 401, 403, 405-407,
446/473, 475
CPC F41C 23/00; F41C 23/02; F41C 23/04;
F41C 23/06; F41C 23/08; F41C 23/10;



US D792,936 S

D636,833 S	4/2011	Mayberry		2009/0241397 A1	10/2009	Fitzpatrick	
D636,834 S	4/2011	Mayberry		2009/0255161 A1 *	10/2009	Fitzpatrick	F41C 27/00
D640,342 S	6/2011	Fitzpatrick					42/90
7,966,762 B2 *	6/2011	Barrett	F41A 3/22	2010/0115817 A1	5/2010	Faifer	
			42/75.01	2010/0462608	7/2010	McCann	
7,984,580 B1	7/2011	Giauque		2010/0205846 A1 *	8/2010	Fitzpatrick	F41A 11/02
D645,110 S	9/2011	Cook					42/73
D645,533 S	9/2011	Peterson		2010/0242333 A1 *	9/2010	Kincel	F41C 23/04
D648,412 S	11/2011	Cook					42/73
D661,366 S	6/2012	Zusman		2010/0251590 A1	10/2010	Fitzpatrick	
D661,768 S	6/2012	Keng		2011/0107643 A1	5/2011	Fitzpatrick	
D665,042 S	8/2012	Kellgren		2011/0131857 A1	6/2011	Kuczynko	
D667,072 S	9/2012	Kriegleder		2011/0173862 A1 *	7/2011	Williams	F41C 27/00
D668,311 S *	10/2012	Rogers	F41C 23/04				42/72
			D22/108	2012/0000109 A1 *	1/2012	Zusman	F41C 23/14
8,296,984 B2	10/2012	Kincel					42/71.01
D671,183 S	11/2012	Lucansky		2012/0137561 A1	6/2012	Ludlow	
8,341,868 B2 *	1/2013	Zusman	F41C 23/22	2012/0180359 A1 *	7/2012	Fitzpatrick	F41C 23/16
			42/73				42/71.01
8,381,427 B2	2/2013	Nill		2013/0205638 A1 *	8/2013	Herring	F41C 27/00
D680,611 S	4/2013	Emde					42/90
8,429,844 B2	4/2013	Dextraze		2013/0305579 A1 *	11/2013	Ward	F41C 23/22
D683,808 S	6/2013	Elkaim					42/71.01
8,453,365 B1	6/2013	Ballard		2014/0007763 A1 *	1/2014	Foster	F41A 19/03
D691,234 S *	10/2013	Fitzpatrick	D22/108				89/136
D695,377 S	12/2013	Mayberry		2014/0075815 A1	3/2014	Jarboe	
8,656,622 B2	2/2014	Peterson		2014/0190058 A1 *	7/2014	Ballard	F42B 39/02
8,656,623 B1	2/2014	Chvala					42/90
D704,294 S	5/2014	Jarboe		2014/0196343 A1	7/2014	Wilson	
8,720,099 B1	5/2014	Sisk		2015/0338187 A1	11/2015	Priddy	
8,769,854 B1	7/2014	Battaglia		2016/0187099 A1	6/2016	Cottle	
8,782,941 B2 *	7/2014	Zusman	F41C 23/14				
			42/73				
D710,477 S	8/2014	Kauranen					
D710,478 S	8/2014	Kauranen					
D712,998 S	9/2014	Gomez					
8,844,185 B2	9/2014	Jarboe					
8,887,432 B2 *	11/2014	Oz	F41C 23/12				
			42/71.01				
D722,357 S *	2/2015	Keller	D22/108				
D722,671 S	2/2015	Mayberry					
8,943,728 B2 *	2/2015	Ward	F41C 23/22				
			42/71.01				
8,955,245 B2	2/2015	Chvala					
D725,215 S	3/2015	Eberle					
8,978,284 B1 *	3/2015	Zusman	F41C 23/22				
			42/1.06				
8,978,285 B1	3/2015	Burke					
D728,057 S *	4/2015	Daniel	D22/108				
9,015,980 B2	4/2015	Shull					
D736,336 S *	8/2015	Mayberry	D22/108				
D736,340 S	8/2015	Mayberry					
D738,981 S *	9/2015	Zusman	D22/108				
D745,622 S *	12/2015	Zusman	D22/108				
9,228,795 B1	1/2016	Kielsmeier					
9,261,324 B1 *	2/2016	Liang	F41C 23/04				
9,285,184 B1	3/2016	Cianci					
D755,329 S	5/2016	Kielsmeier					
9,377,255 B2	6/2016	Karagias					
9,404,708 B1 *	8/2016	Chow	F41C 23/14				
D766,380 S *	9/2016	Crye	D21/573				
D766,381 S *	9/2016	Crye	D21/573				
D773,005 S *	11/2016	Ding	D22/108				
9,482,478 B2 *	11/2016	Newman	F41A 17/38				
9,488,434 B2 *	11/2016	Kielsmeier	F41C 23/14				
D773,593 S *	12/2016	Hopkins	D22/108				
D774,618 S *	12/2016	Bosco	D22/108				
9,528,782 B2 *	12/2016	Meier	F41A 3/66				
D779,018 S *	2/2017	Zayatz	D22/108				
9,568,261 B1 *	2/2017	Hall	F41A 3/66				
2007/0130817 A1	6/2007	Ballard					
2008/0028662 A1	2/2008	Abraham					
2008/0052979 A1	3/2008	Lee					
2008/0168695 A1	7/2008	Nakayama					
2008/0236016 A1	10/2008	Fitzpatrick					
2008/0236017 A1	10/2008	Fitzpatrick					
2008/0301994 A1 *	12/2008	Langevin	F41C 23/16				
			42/71.01				

OTHER PUBLICATIONS

Magpul UBR AR-15 adjustable stock in FDE, GunListings.org, [online], [site visited Apr. 5, 2017]. <URL: http://www.gunlistings.org/ohio-gun-classifieds/cleveland/a11/93173/magpul_ubr_ar15_adjustable_stock_in_fde>.*

Gear Review: Magpul UBR Stock, TheTruthABoutGuns.com, Tyler Kee, Mar. 23, 2012, [online], [site visited Apr. 5, 2017]. <URL: <http://www.thetruthaboutguns.com/2012/03/tyler-kee/gear-review-magpul-ubr-stock/>>.*

Magpul UBR GEN2 9-Position Collapsible AR-15 Synthetic, MidwayUSA.com, [online], [site visited Apr. 5, 2017]. <URL: <http://www.midwayusa.com/product/2319215639/magpul-ubr-gen2-9-position-collapsible-ar-15-synthetic>>.*

New From Magpul: UBR 2.0 Stock, TheTruthABoutGuns.com, Nick Leghorn, Jan. 13, 2016, [online], [site visited Apr. 5, 2017]. <URL: <http://www.thetruthaboutguns.com/2016/01/foghorn/magpul-launches-ubr-2-0-stock/>>.*

First Look: Magpul UBR 2.0, GunsandAmmo.com, by G&A Online Editors, Jan. 28, 2016, [online], [site visited Apr. 5, 2017]. <URL: <http://www.gunsandammo.com/shot-show-2016/first-look-magpul-ubr-2-0/>>.*

Ace L To (HMR) Hammer Stock, AR Replacement-Stock Options, Part 1, The Shooter's Log, by Robert Sadowski, published on Aug. 15, 2014 in Firearms, [online], [site visited Sep. 30, 2016]. <URL: <http://blog.cheaperthandirt.com/ar-replacement-stockoptions-part1/>>.*

Archangel OPFOR Adjustable Stock AK-47 Polymer, MidwayUSA, [online], [site visited Sep. 30, 2016]. <URL: <http://www.midwayusa.com/product/3357223614/archangel-opfor-adjustable-stock-ak-47-polymer>>.*

Command Arms SRS Product Info Online 2008 Command Arms Accessories Online Catalog (2008) SRS Product Information. Ergo Grip 2014 Ergo Grip (Oct. 21, 2014) Ergo F93 Pro Stock™ Website [Online] Available Website: <http://ergogrips.net/products/ergo-f93-pro-stock.html>; Last Update: Jun. 24, 2015; Accessed on: Jan. 18, 2016.

FAB Defense Recoil Reducing Collapsible Buttstock Assembly AK-47, AK-74 Polymer, MidwayUSA, [online], [site visited Sep. 30, 2016]. <URL: <http://www.midwayusa.com/product/2704211913/fab-defense-recoil-reducing-collapsible-buttstock-assembly-ak-47-ak-74-polymer>>.*

FAB Defense Tactical Side Folding Buttstock with Adjustable Cheek Rest AK-47 Stamped Receivers Synthetic Black, MidwayUSA, [online], [site visited Sep. 30, 2016]. <URL: <http://www.midwayusa.com/product/432379/fab-defense-tactical-sidefolding-buttstock-with-adjustable-cheek-rest-ak-47-stamped-receivers-synthetic-black>>.

FNH-USA_2010_FN-SCAR_16_w_wikipedia FNH-USA (Apr. 20, 2010) FN-SCAR 16 w/wikipedia definition; Website [Online] Available Web Site: <http://www.fnhusa.com/le/products/firearms/family.asp?fid=fnf022&gid=fng007>; Last Update: unknown; Accessed on Apr. 20, 2010; Wikipedia (Apr. 20, 2010) FN-SCAR. Website [Online] Available Web Site: http://en.wikipedia.org/wiki/FN_SCAR. Last Update: Apr. 19, 2010; Accessed on Apr. 20, 2010. Foltz (Feb. 21, 2007) 5.56mm 30 Round Magazine Improvement Programs; PDF [Online] Available Web Site: <http://www.dtic.mil/ndia/2006smallarms/foltz.pdf> Last Update: Feb. 21, 2007; Accessed on: Apr. 20, 2010.

GLR-16 AR 15/M16 Buttstock, FAB Defense, [online], [site visited Sep. 30, 2016]. <URL: <http://www.fab-defense.com/en/categorybutt-stocks/id-8/ar15-m16-butt-stock.html>>.

HK_PSG1A1_Product_Online_2008 Heckler & Koch Online Catalog (2008) PSG1A1 Product Information.

Magpul_2007_PRS_FAL_Online_Catalog Magpul Online Catalog (2007) FAL Preproduction Product Information.

Magpul_2007_PRS_AR15M16_Online_Catalog Magpul Online Catalog (2007) PRS Ar15/M16 Product Information.

Magpul MOE Fixed Stock Mil Spec AR-15-MAG480, AT3 Tactical, [online], [site visited Sep. 30, 2016]. <URL: <http://www.at3tactical.com/colection/fde-ar15-furnitu-re-fl-at-dark-earth-ar15-furnitu-re-by-hog-u-e-magpul-e-rgo-troy-andmore/products/mag480-magpul-magpul-moe-fixed-stk-milspec>>.

Magpul 2015 Buttstocks UBR Collapsible Stock Magpul Industries Corporation (Jan. 23, 2015) UBR® Collapsible Stock; Website [Online] Available Website: <https://www.magpul.com/search-results?PID=88&eComQuery=MAG330> &ProductNumber=MAG330; Last Update: Feb. 26, 2015; Accessed on: Jan. 18, 2015.

ProMag Archangel AK-Series Adjustable Buttstock in Black, Centerfire Systems, [online], [site visited Sep. 30, 2016]. <URL: <http://www.centerfiresystems.com/STKAKA-PM-BL.aspx>>.

Shockwave NE Plus Ultra (Sep. 4, 2014) Shockwave Introduces the Blade AR Pistol Stabilizer; Website [Online] Available Website: <http://shockwavetechnologies.com/site/?p=1724>; Last Update: May 28, 2015; Accessed on: Jan. 18, 2016.

UBR Collapsible Stock, Magpul, [online], [site visited Sep. 30, 2016]. <URL: <https://www.magpul.com/products/firearmsaccessories/buttstocks/ubr-collapsible-stock>>.

Design U.S. Appl. No. 29/399,326, “ACS Rifle Stock” filed Aug. 12, 2011, by Fitzpatrick.

Design U.S. Appl. No. 29/551,197 “Adjustable Buttstock for a Firearm” filed Jan. 11, 2016.

Design U.S. Appl. No. 29/588,445 “Adjustable Buttstock for a Firearm” filed Dec. 20, 2016.

Design U.S. Appl. No. 29/551,199 “Adjustable Buttstock for a Firearm” filed Jan. 11, 2016.

Design U.S. Appl. No. 29/588,511 “Adjustable Buttstock for a Firearm” filed Dec. 21, 2016.

* cited by examiner

Primary Examiner — T. Chase Nelson

Assistant Examiner — Jonathan J Han

(74) *Attorney, Agent, or Firm* — Swanson & Bratschun, L.L.C.

(57)

CLAIM

The ornamental design for an adjustable buttstock for a firearm, as shown and described.

DESCRIPTION

FIG. 1 is a right, rear, top perspective view of an adjustable buttstock for a firearm including an unclaimed upper receiver portion showing our new design;

FIG. 2 is a left, front, bottom perspective view of the adjustable buttstock for a firearm of FIG. 1;

FIG. 3 is a right, rear, top perspective view of the adjustable buttstock for a firearm of FIG. 1;

FIG. 4 is a right side elevation view of the adjustable buttstock for a firearm of FIG. 1;

FIG. 5 is a left side elevation view of the adjustable buttstock for a firearm of FIG. 1;

FIG. 6 is a rear elevation view of the adjustable buttstock for a firearm of FIG. 1;

FIG. 7 is a front elevation view of the adjustable buttstock for a firearm of FIG. 1;

FIG. 8 is a top plan view of the adjustable buttstock for a firearm of FIG. 1; and,

FIG. 9 is a bottom plan view of the adjustable buttstock for a firearm of FIG. 1.

The broken lines showing portions of the design in all figures are included for the purpose of illustrating environment and unclaimed features and form no part of the claimed design. In some instances the broken lines indicate a boundary line and the unshaded surfaces within the boundary line form no part of the claimed design. The long-short segment broken line indicates an unclaimed upper receiver portion of the adjustable buttstock for a firearm and forms no part of the claimed design.

1 Claim, 7 Drawing Sheets

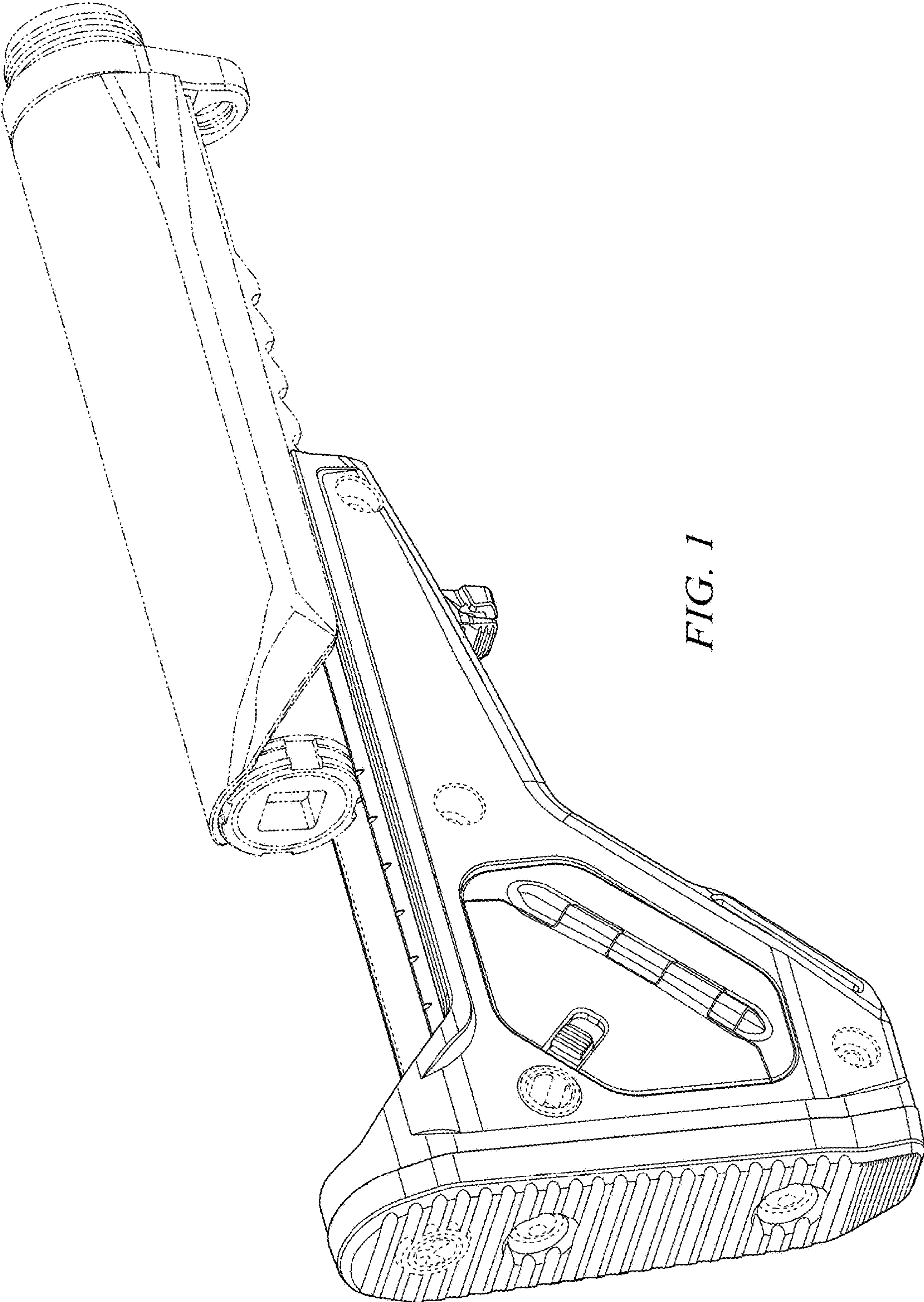


FIG. 1

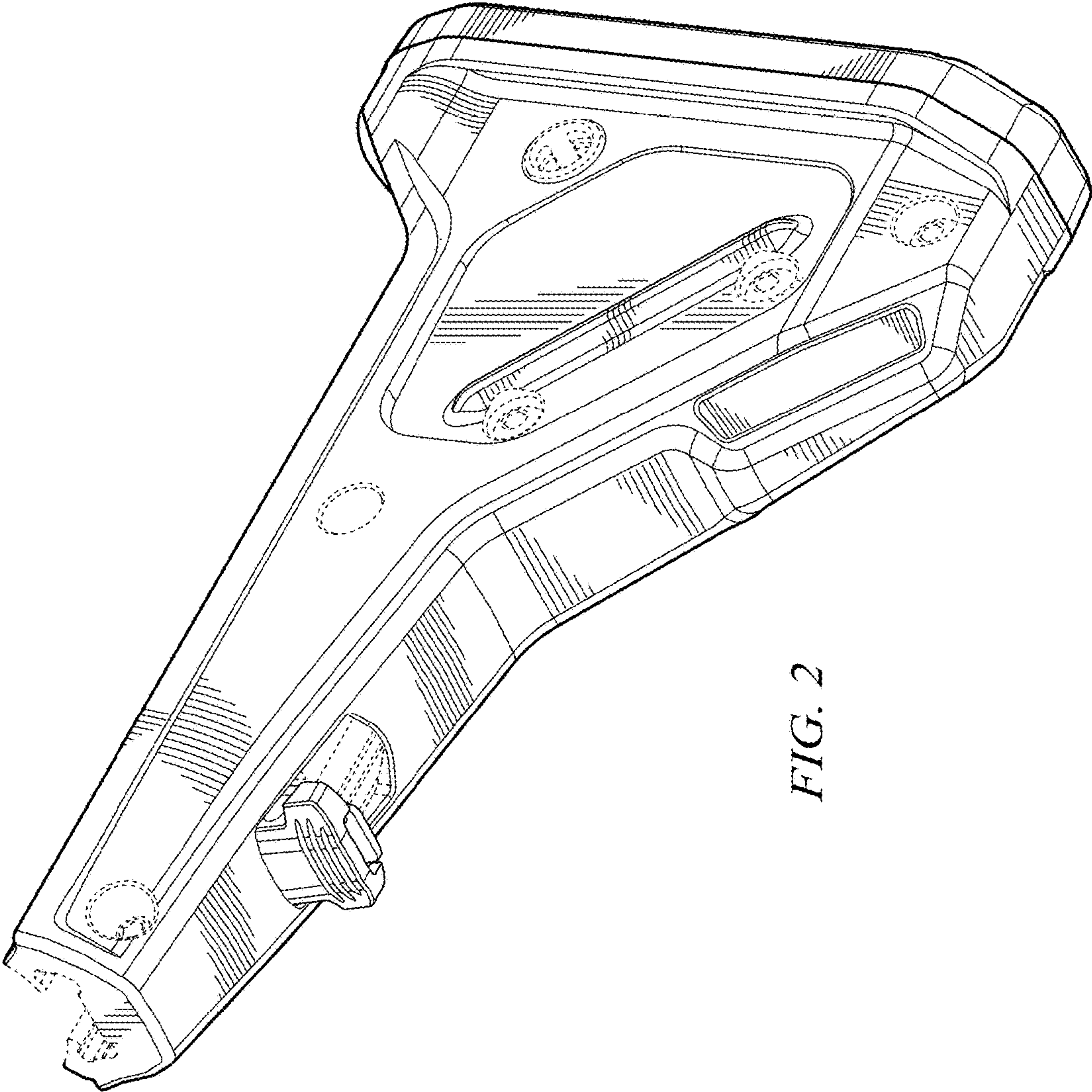
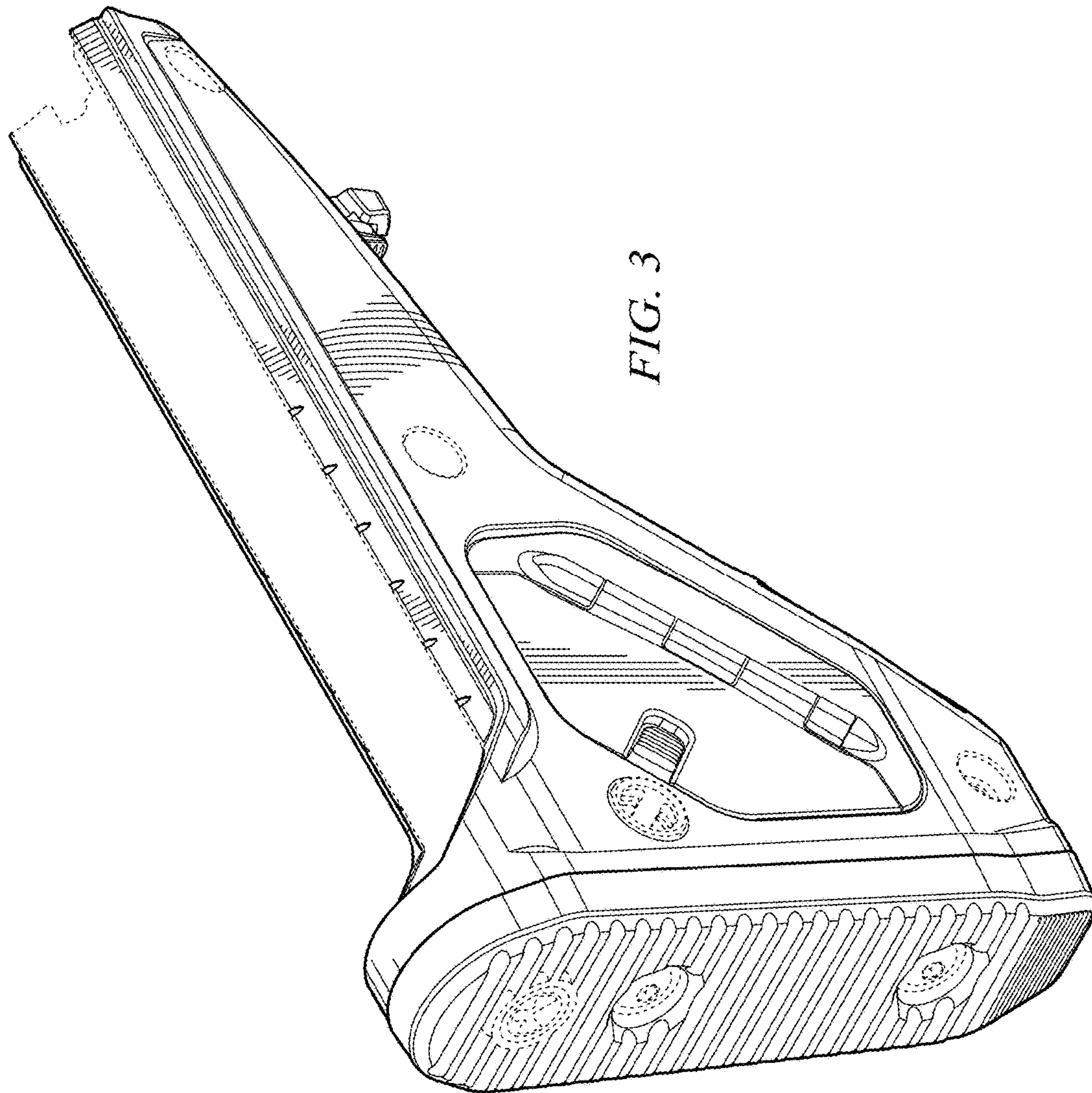


FIG. 2



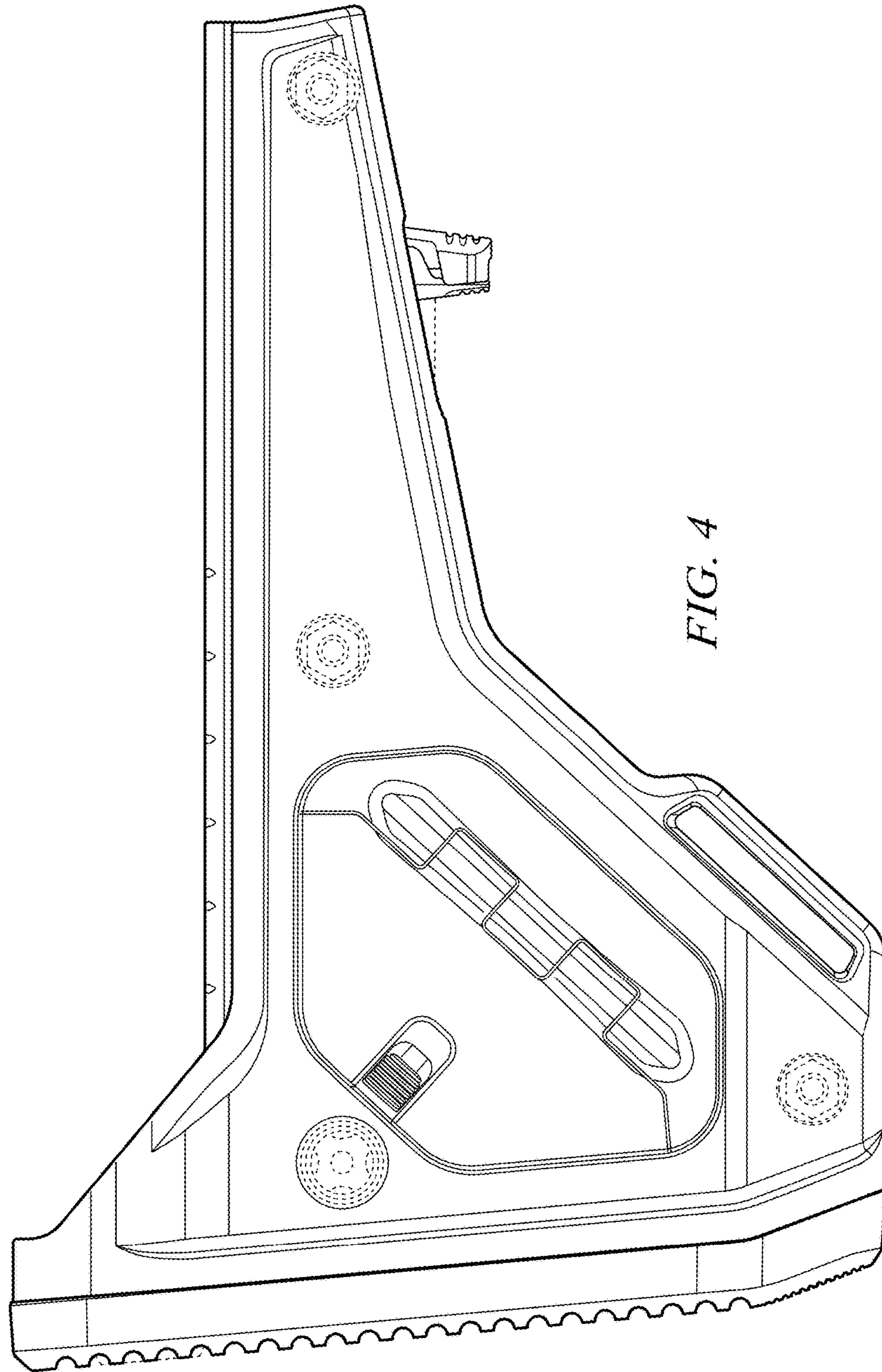


FIG. 4

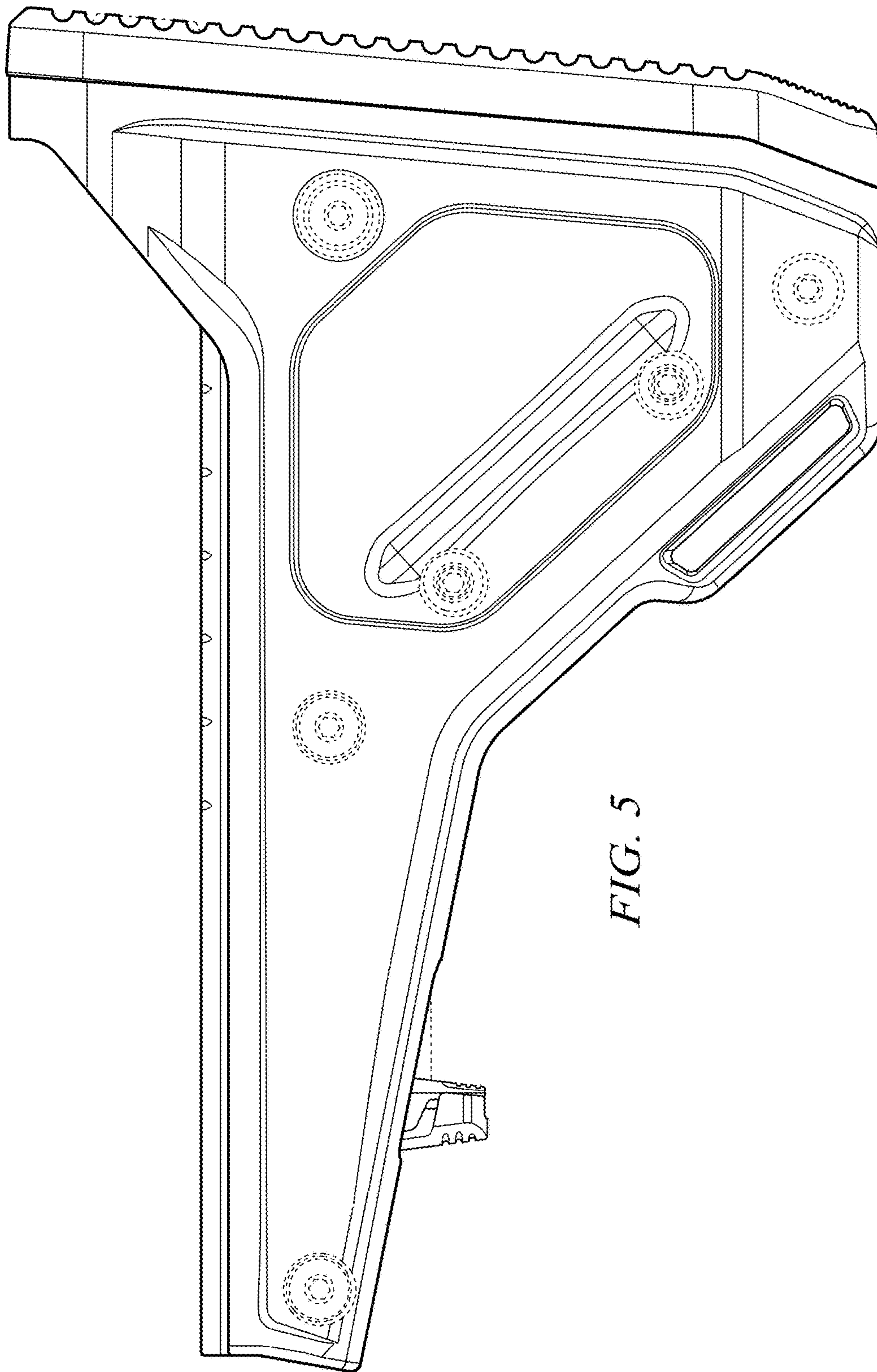


FIG. 5

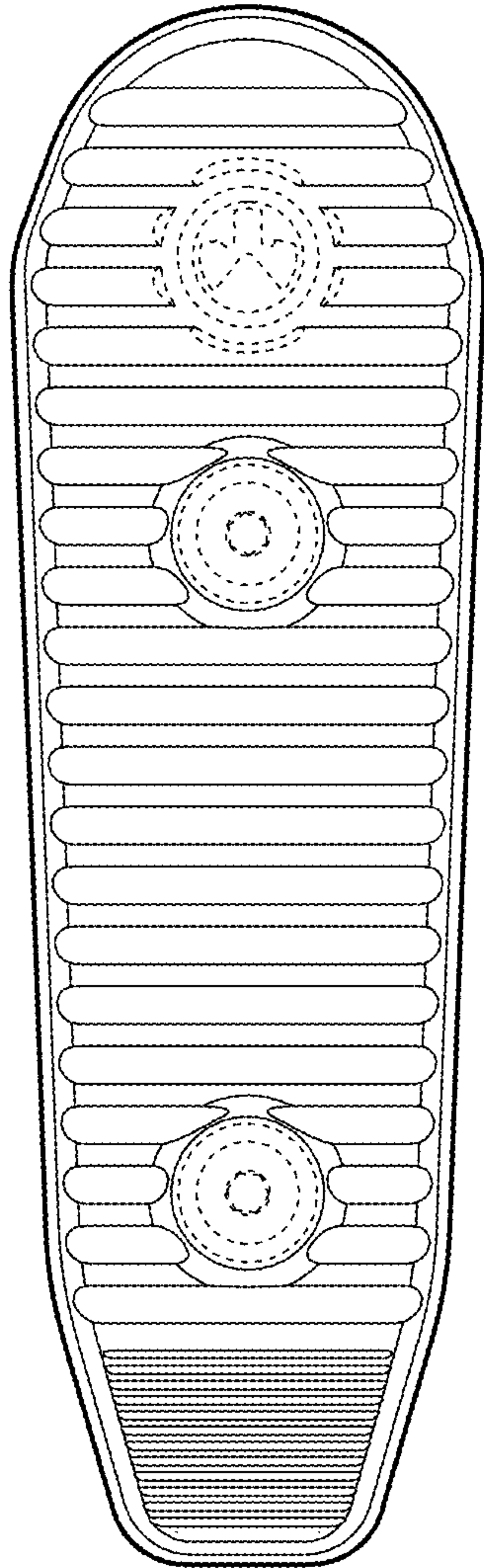


FIG. 6

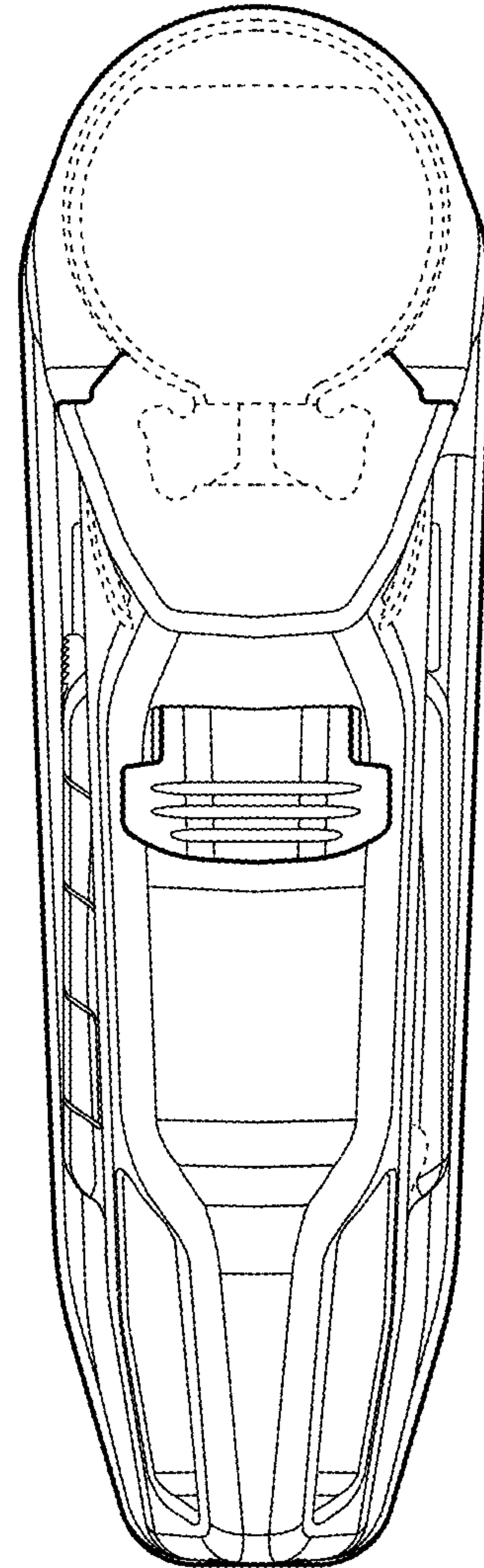


FIG. 7

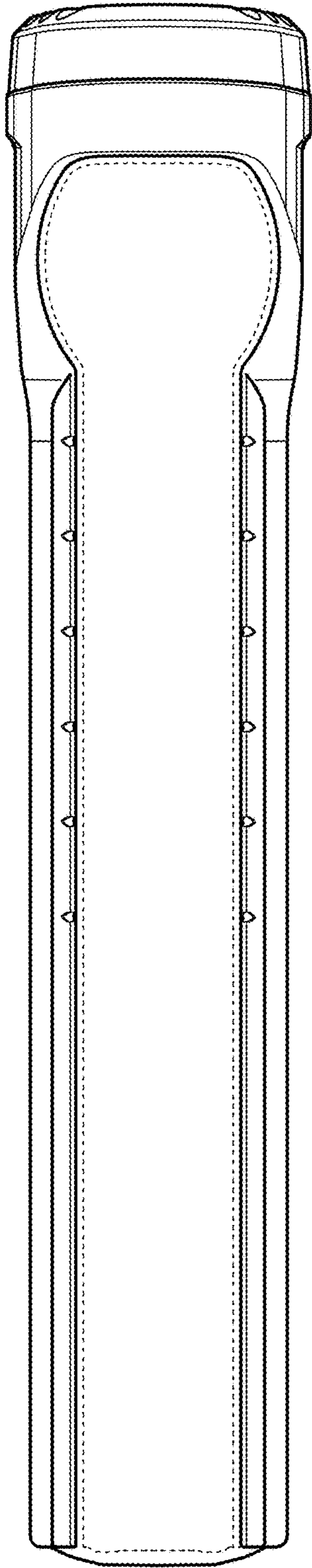


FIG. 8

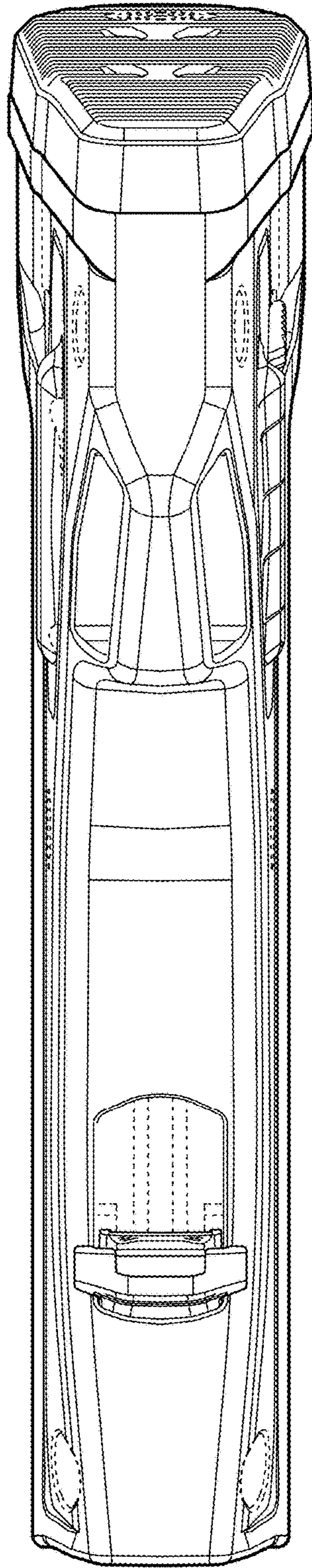


FIG. 9