



US00D792934S

(12) **United States Design Patent**  
**Gaut**

(10) **Patent No.:** **US D792,934 S**  
(45) **Date of Patent:** **\*\* \*Jul. 25, 2017**

- (54) **TRAMPOLINE EXERCISE APPARATUS** 7,468,020 B2 \* 12/2008 Lai ..... A63B 5/11  
16/324
- (71) Applicant: **DETUAG INC.**, Irvine, CA (US) 8,047,967 B1 \* 11/2011 Teng ..... A63B 5/11  
482/27
- (72) Inventor: **Eddie Emanuel Gaut**, Irvine, CA (US) D716,574 S \* 11/2014 Akkad ..... D6/368  
D720,550 S \* 1/2015 Akkad ..... D6/368  
D758,515 S \* 6/2016 Tsai ..... D21/797
- (73) Assignee: **Detuag Inc.**, Irvine, CA (US) 2007/0010374 A1 \* 1/2007 Widich ..... A63B 5/11  
482/27
- (\*) Notice: This patent is subject to a terminal disclaimer. 2015/0076888 A1 \* 3/2015 Xu ..... A63B 9/14  
297/452.18

- (\*\*) Term: **15 Years**
- (21) Appl. No.: **29/580,395**
- (22) Filed: **Oct. 7, 2016**

**Related U.S. Application Data**

- (63) Continuation-in-part of application No. 29/544,608, filed on Nov. 4, 2015.
- (51) **LOC (10) Cl.** ..... **21-02**
- (52) **U.S. Cl.**  
USPC ..... **D21/797**
- (58) **Field of Classification Search**  
USPC ..... D21/797, 668, 669, 834, 826, 671, 672;  
D6/716; 482/27, 35, 29, 112, 33, 110,  
482/148, 28, 77, 147, 51; 297/452.18;  
135/96, 117; D30/112; D25/1, 16, 22,  
D25/56; 446/220; 473/469; 182/139,  
182/224; 273/395, 402  
CPC . A63B 21/023; A63B 71/022; A63B 2208/12;  
A63B 2210/50  
See application file for complete search history.

(56) **References Cited**

**U.S. PATENT DOCUMENTS**

- D362,478 S \* 9/1995 Wilkinson ..... D21/797
- D363,325 S \* 10/1995 Wilkinson ..... D21/797
- D384,115 S \* 9/1997 Wilkinson ..... D21/668
- 6,237,169 B1 \* 5/2001 Ying ..... A63B 5/11  
482/27

**OTHER PUBLICATIONS**

Model 230f by JumpSport dated Jul. 13, 2015. Found online [Jan. 18, 2017] [http://www.jumpsport.com/Fitness-Trampoline-Model-230f-01.\\*](http://www.jumpsport.com/Fitness-Trampoline-Model-230f-01.*)

\* cited by examiner

*Primary Examiner* — Robert M Spear  
*Assistant Examiner* — Ryan Harvey  
(74) *Attorney, Agent, or Firm* — Hankin Patent Law,  
APC; Kevin Schraven; Anooj Patel

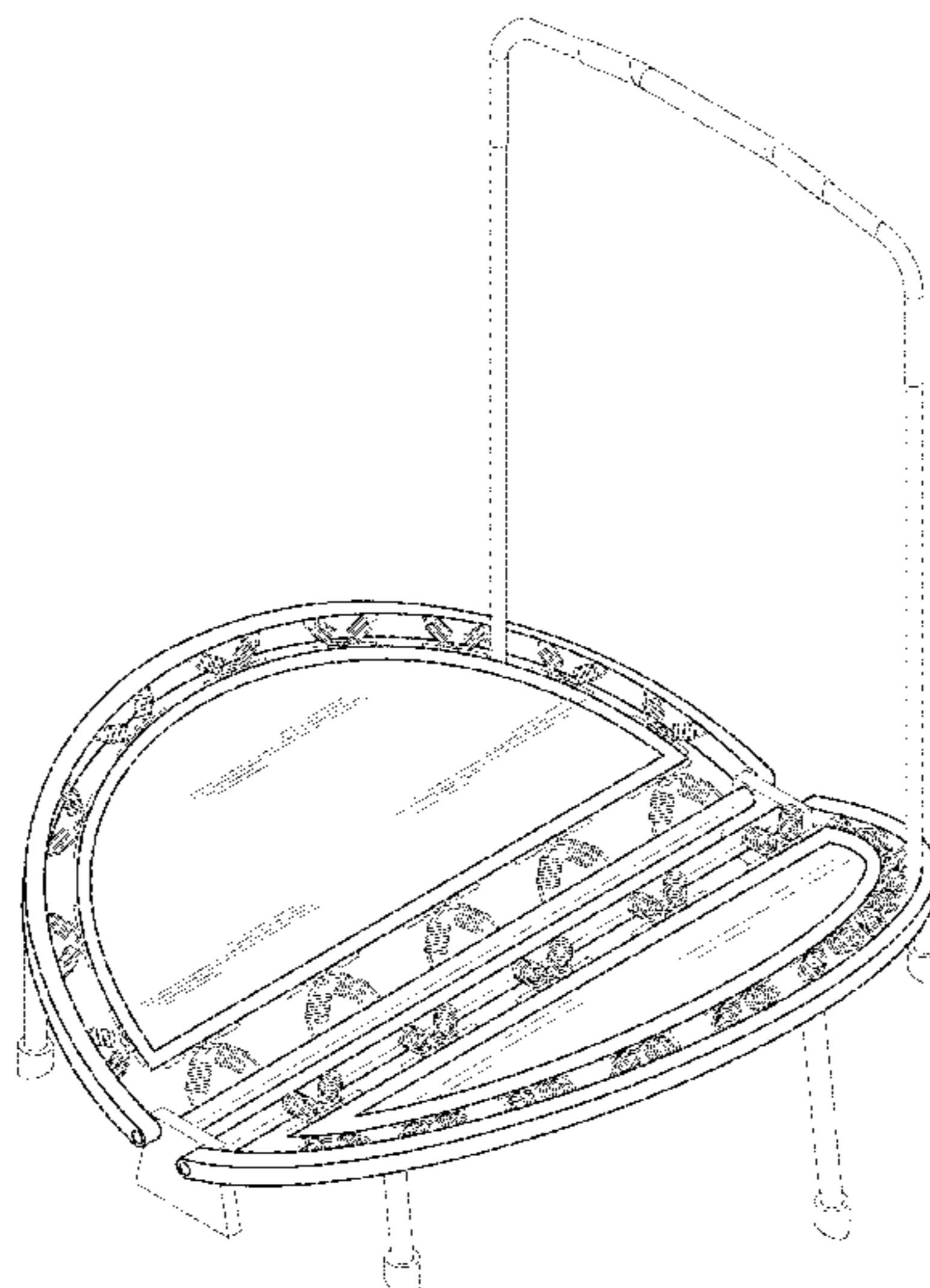
(57) **CLAIM**

The ornamental design for a trampoline exercise apparatus, as shown and described.

**DESCRIPTION**

FIG. 1 is a top perspective view of a trampoline exercise apparatus, showing my new design.  
FIG. 2 is a front elevational view thereof.  
FIG. 3 is a rear elevational view thereof.  
FIG. 4 is a right side elevational view thereof.  
FIG. 5 is a left side elevational view thereof.  
FIG. 6 is a top plan view thereof.  
FIG. 7 is a bottom plan view thereof; and,  
FIG. 8 is a bottom perspective view thereof.  
The broken lines are for the purpose of illustrating environmental structure and unclaimed subject matter and form no part of the claimed design.

**1 Claim, 8 Drawing Sheets**



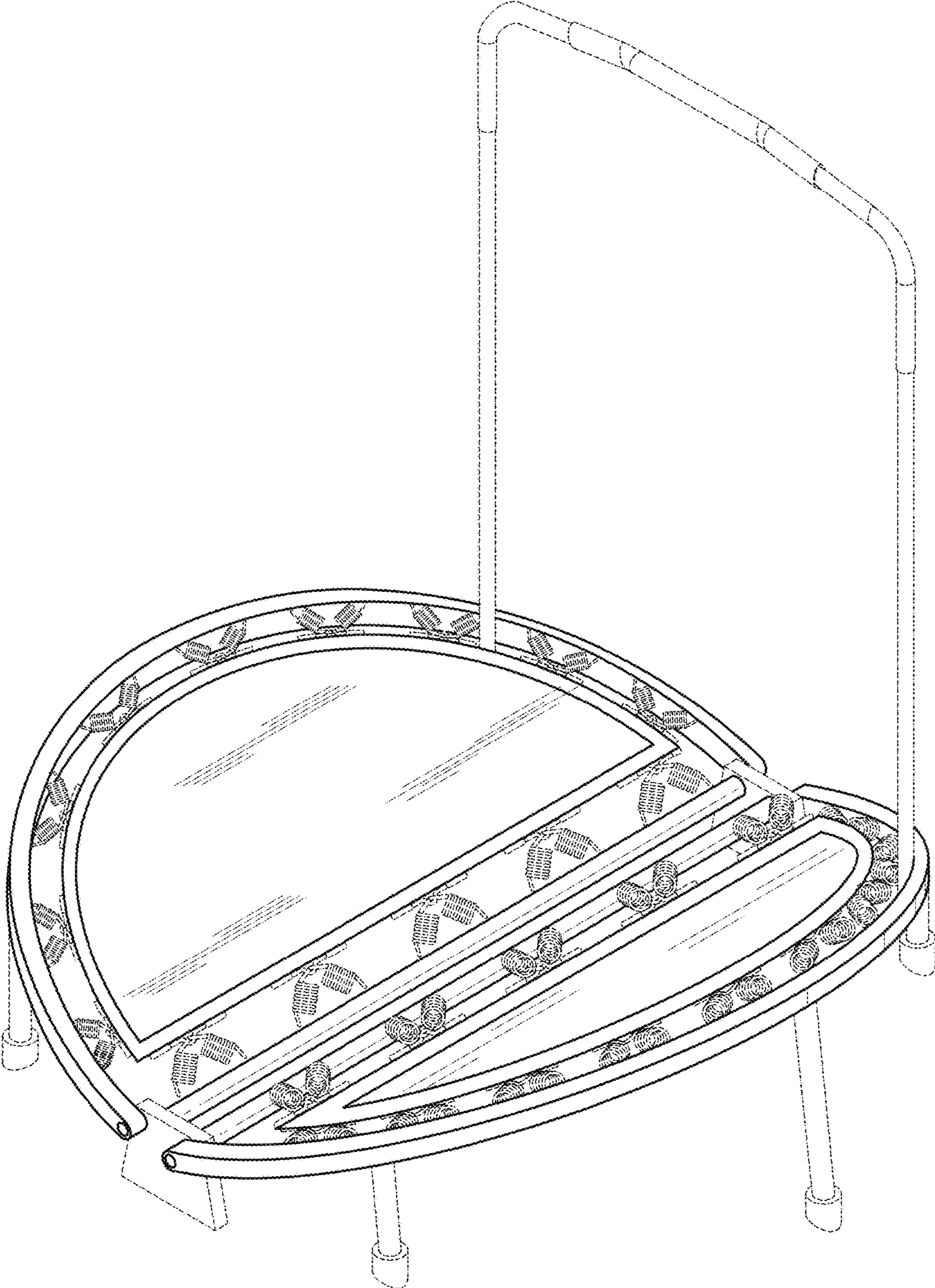


FIG. 1

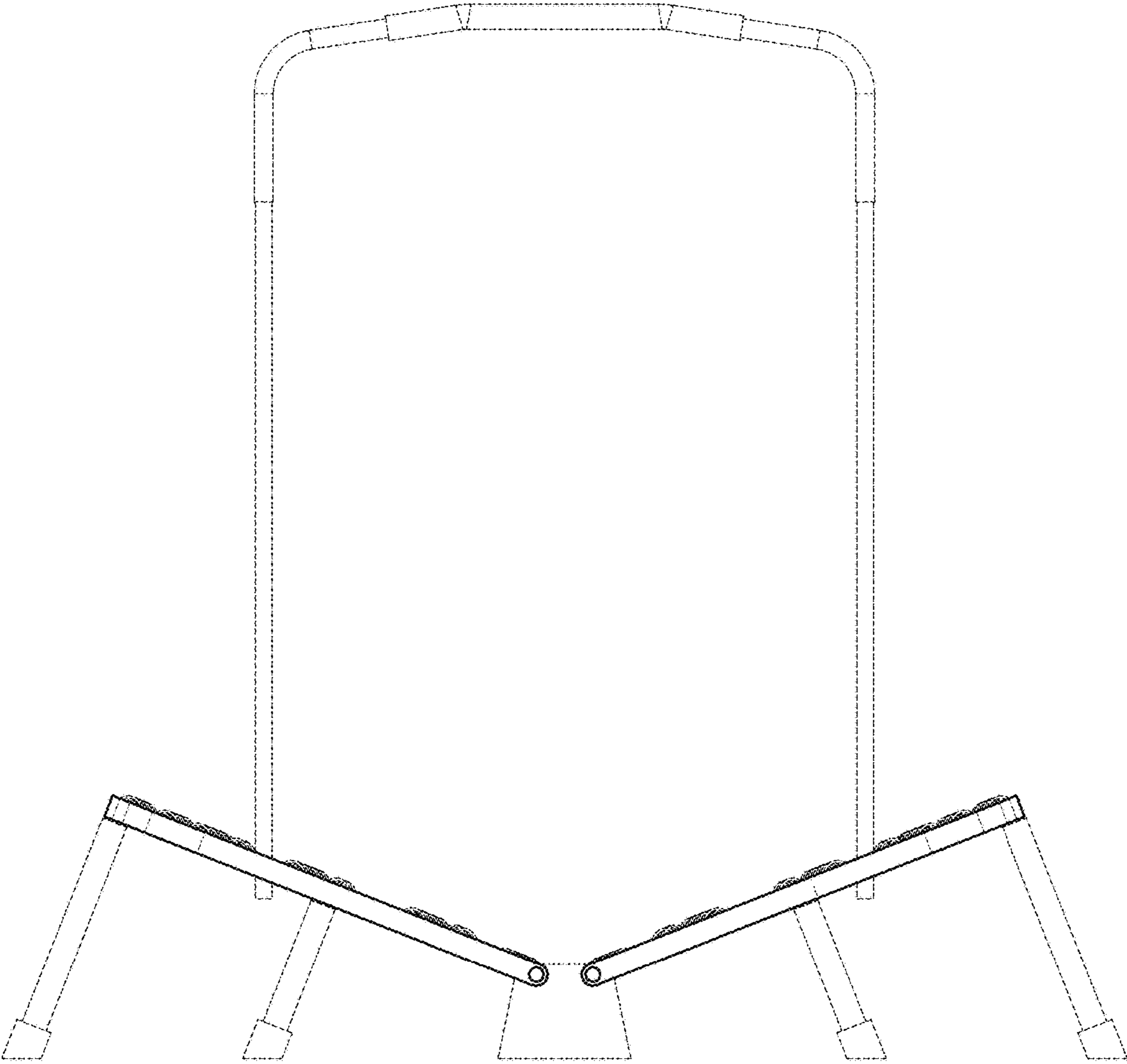


FIG. 2

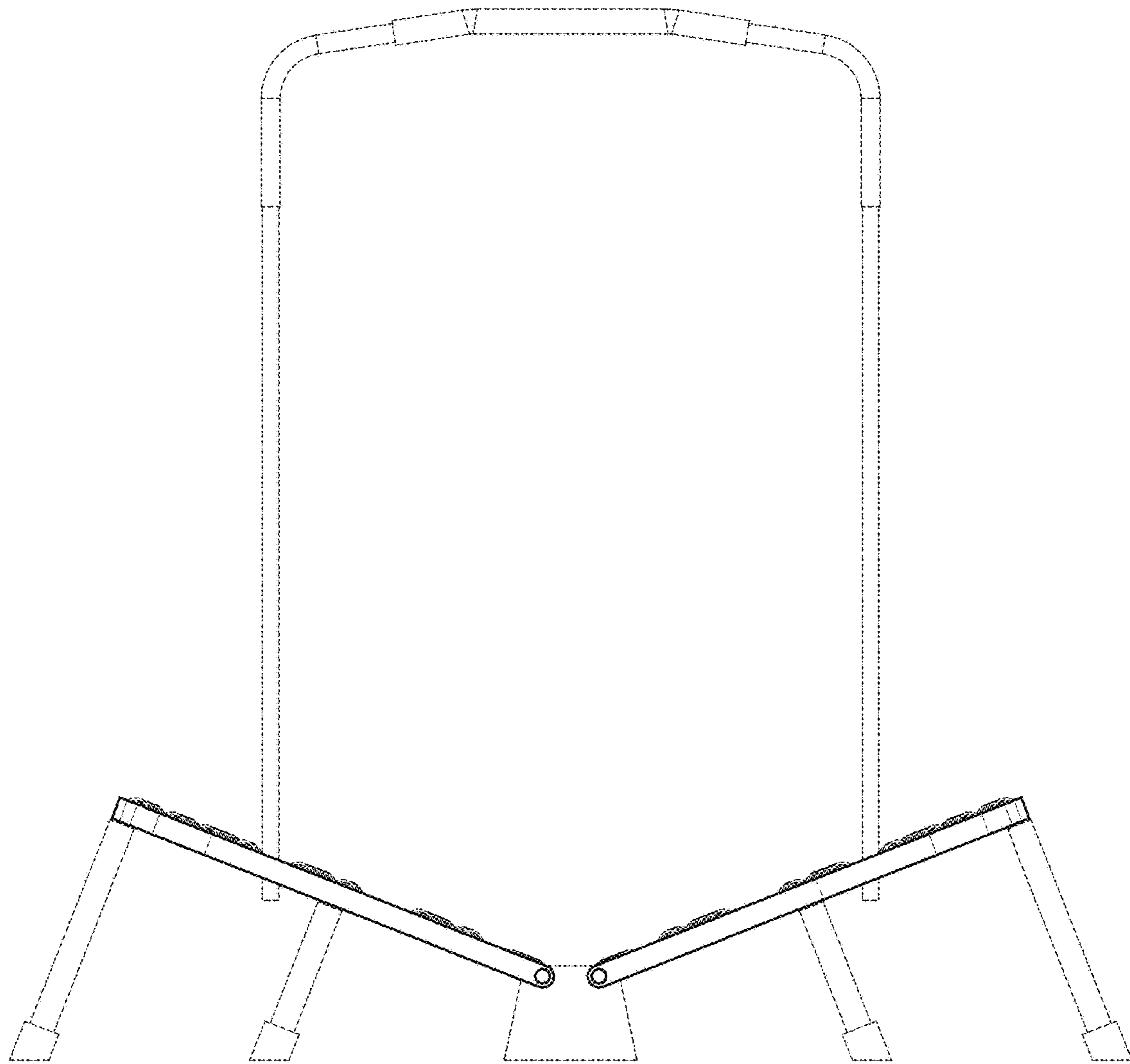
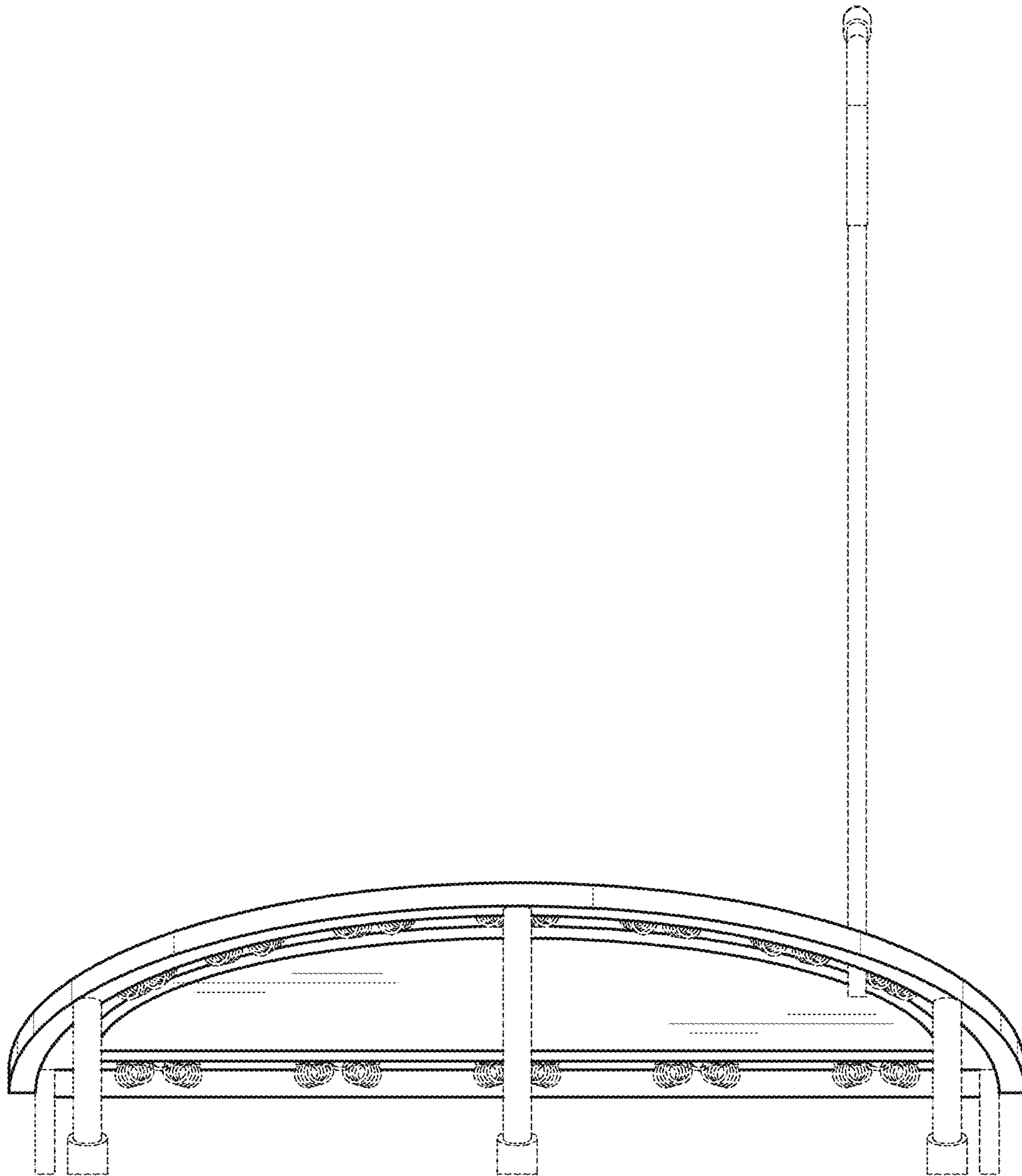


FIG. 3





*FIG. 4*

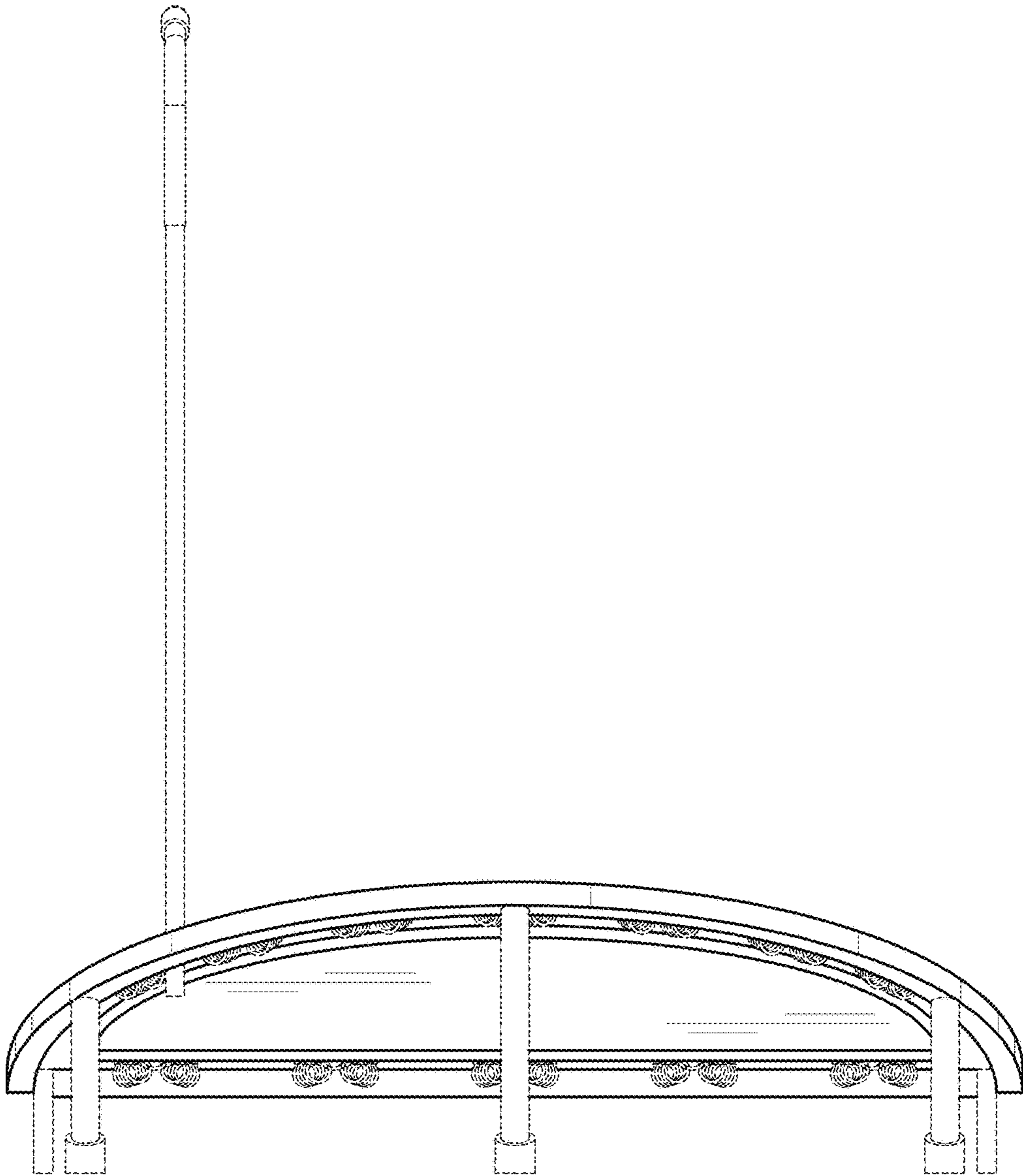


FIG. 5

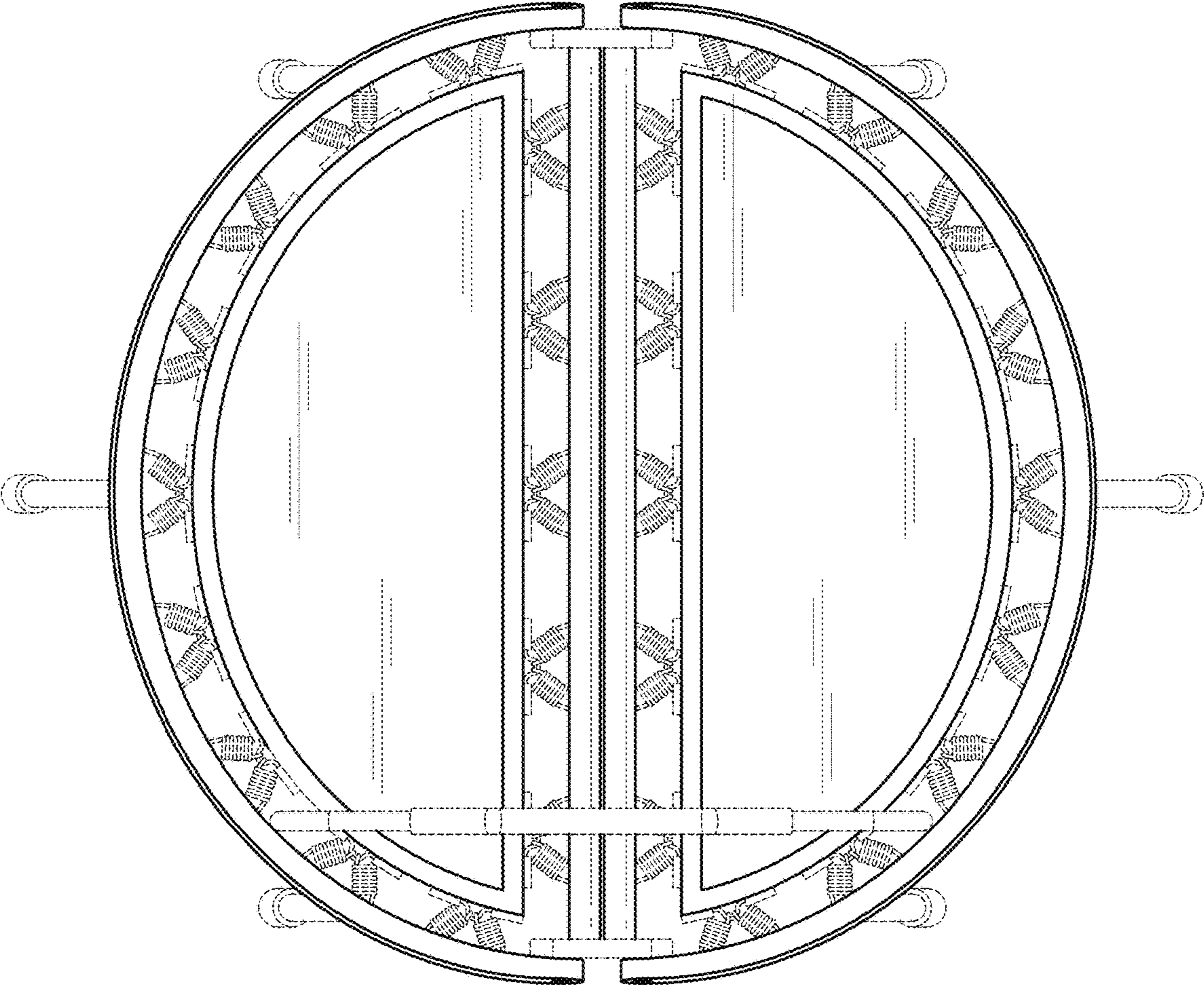


FIG. 6

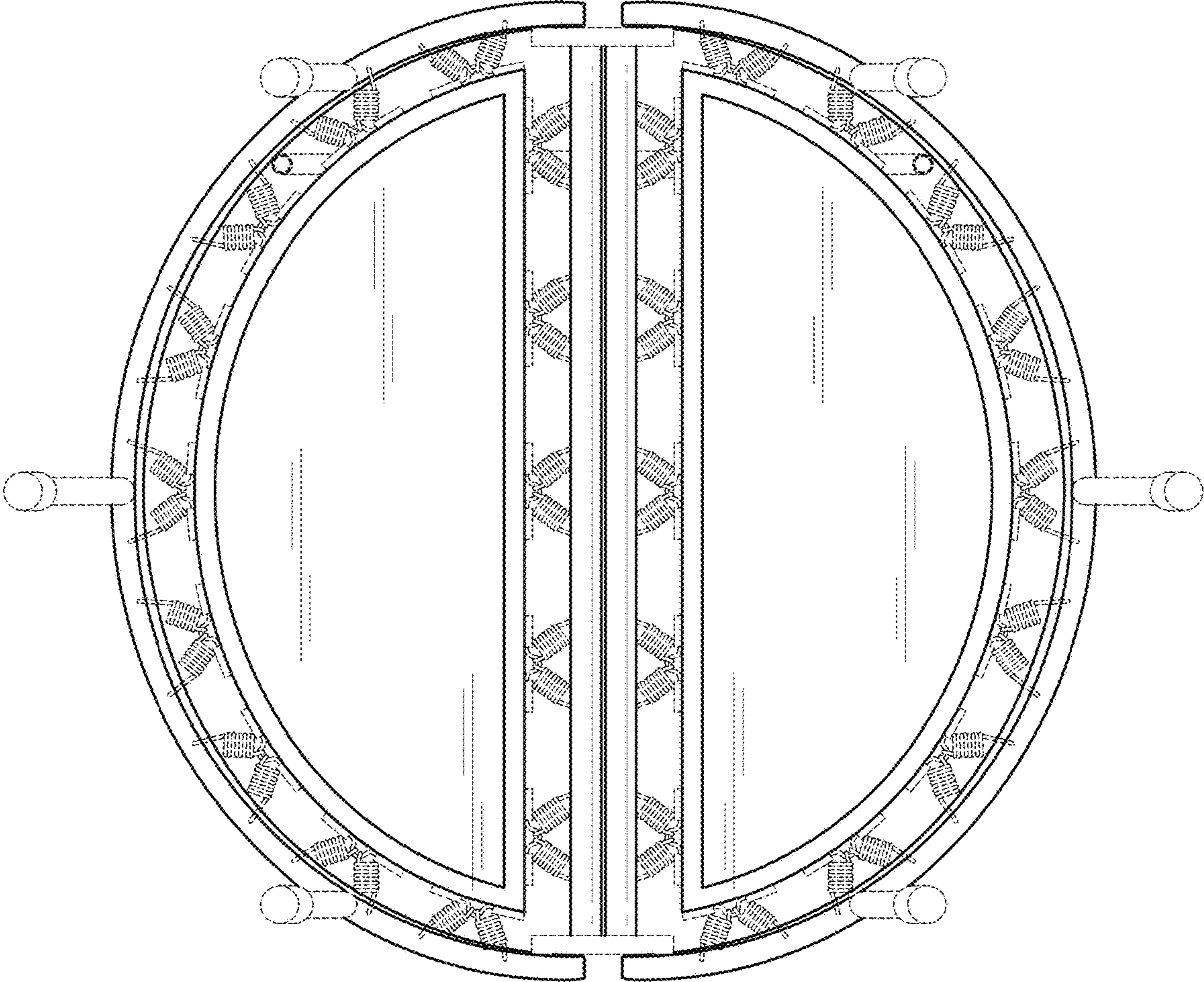


FIG. 7



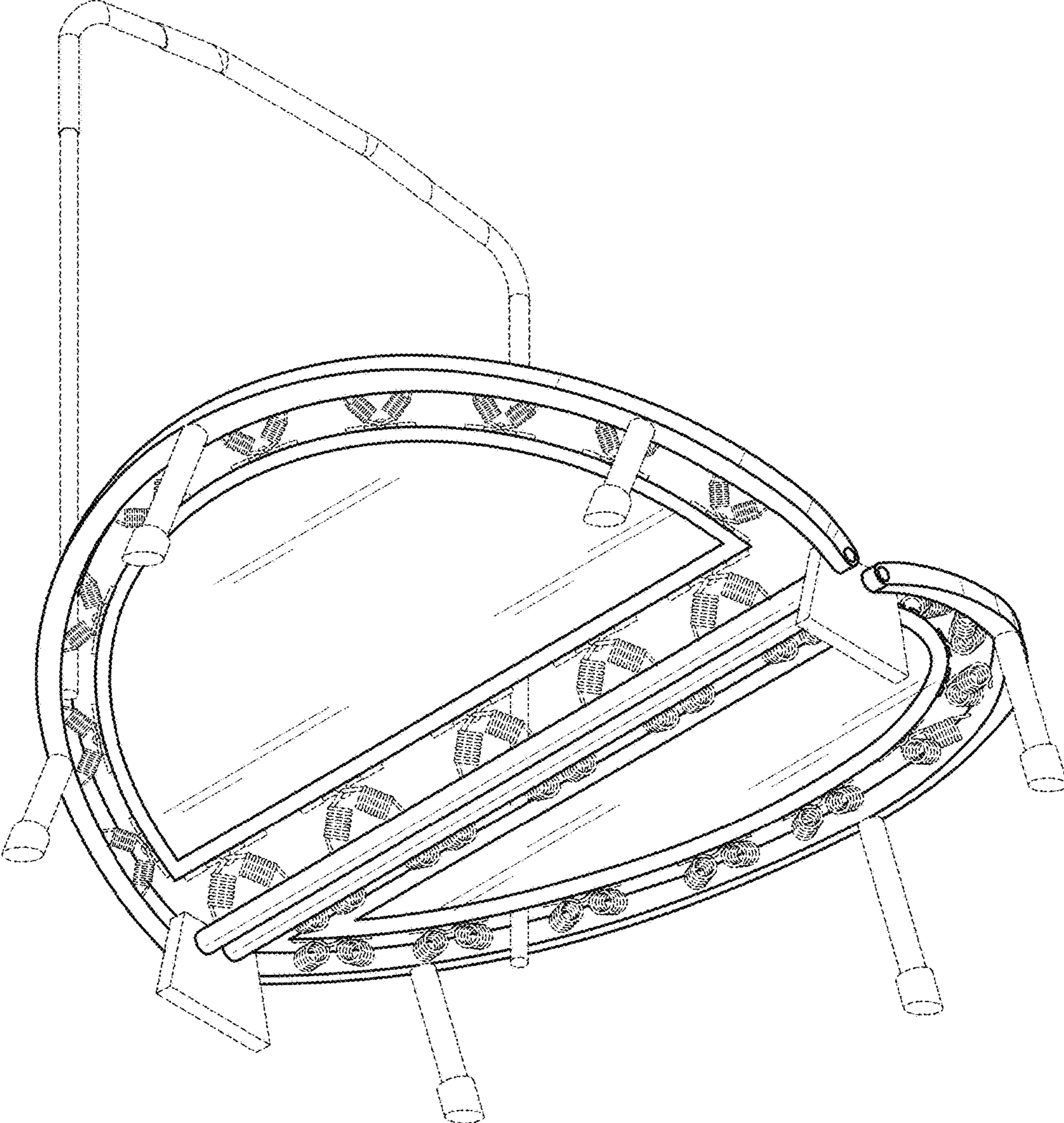


FIG. 8