



US00D792930S

(12) **United States Design Patent** (10) **Patent No.:** **US D792,930 S**
Lacey (45) **Date of Patent:** **** Jul. 25, 2017**

- (54) **ICE HOCKEY STICK END CAP**
- (71) Applicant: **Sam Lacey**, Baltimore, MD (US)
- (72) Inventor: **Sam Lacey**, Baltimore, MD (US)
- (**) Term: **15 Years**
- (21) Appl. No.: **29/558,970**
- (22) Filed: **Mar. 23, 2016**
- (51) **LOC (10) Cl.** **21-02**
- (52) **U.S. Cl.**
USPC **D21/753**
- (58) **Field of Classification Search**
USPC D21/722, 724, 727, 729, 753
CPC A63B 59/70; A63B 60/00; A63B 60/46;
A63B 2102/22; A63B 2102/24
See application file for complete search history.

(56) **References Cited**

U.S. PATENT DOCUMENTS

D182,359 S *	3/1958	Doughty	D21/753
D244,790 S *	6/1977	Carlson	D21/727
4,206,918 A *	6/1980	Lewis, Jr.	A63B 59/20
				473/513
D263,248 S *	3/1982	Brine, Jr.	D21/724
D264,863 S *	6/1982	Walmsley	D21/727
D319,278 S *	8/1991	Tosti	D21/756
D348,093 S *	6/1994	Marte	D21/729
5,458,330 A *	10/1995	Baum	A63B 59/50
				473/567
5,511,776 A *	4/1996	Huru	A63B 59/70
				473/563
5,636,836 A *	6/1997	Carroll	A63B 59/70
				473/561
D387,831 S *	12/1997	George	D21/753
D390,102 S *	2/1998	Drew	D21/727
D404,449 S *	1/1999	Burger	D21/727

(Continued)

Primary Examiner — Mitchell Siegel
(74) *Attorney, Agent, or Firm* — Baker Donelson
Bearman, Caldwell & Berkowitz, PC; Royal W. Craig

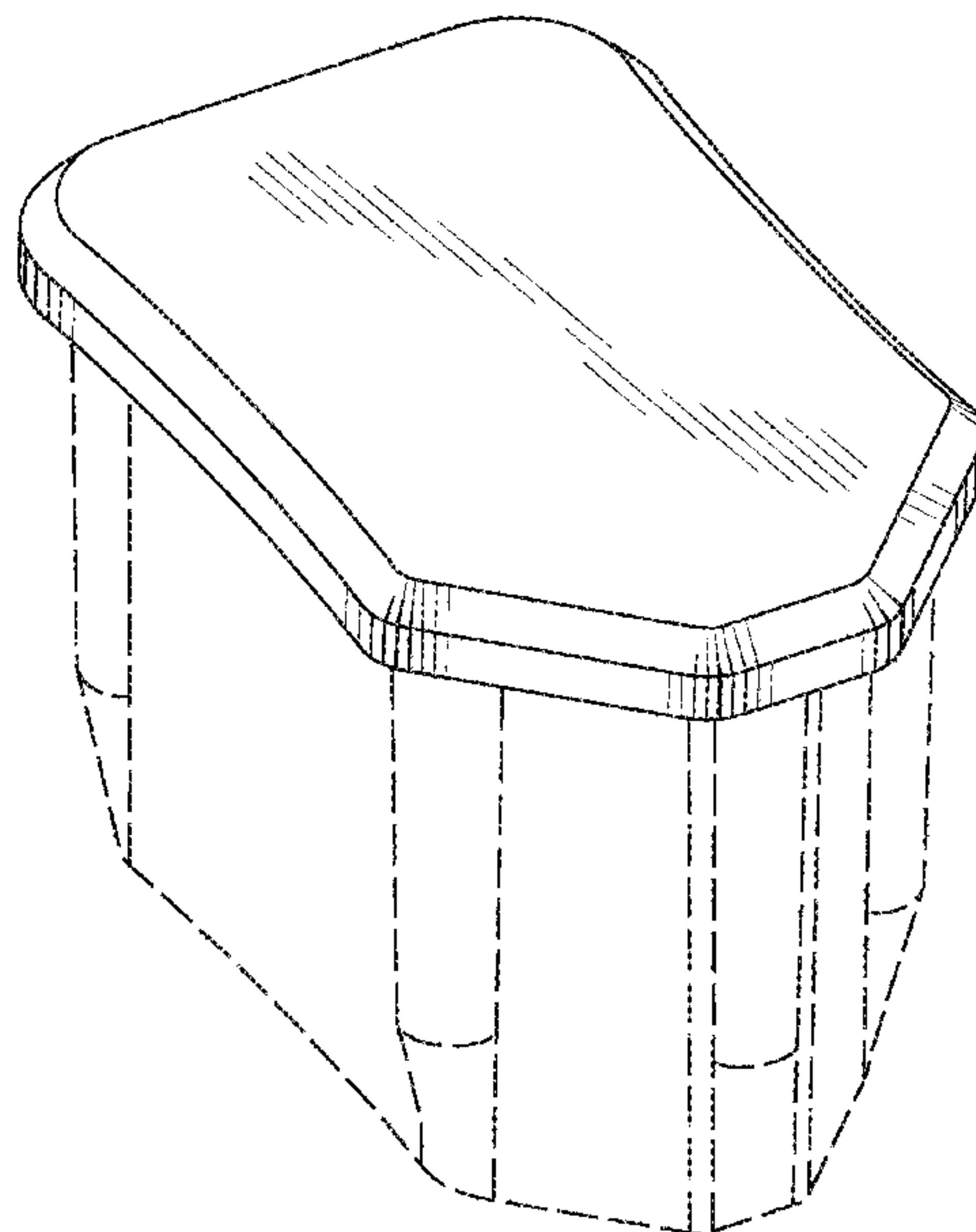
(57) **CLAIM**

The ornamental design for an ice hockey stick end cap, as shown and described in FIGS. 1-14.

DESCRIPTION

FIG. 1 is a perspective view of the ice hockey stick end cap according to an embodiment of the present design.
 FIG. 2 is a right-side view of the ice hockey stick end cap of FIG. 1.
 FIG. 3 is a left-side view of the ice hockey stick end cap of FIGS. 1-2.
 FIG. 4 is a bottom view of the ice hockey stick end cap of FIGS. 1-3.
 FIG. 5 is a top view of the ice hockey stick end cap of FIGS. 1-4.
 FIG. 6 is a front-side view of the ice hockey stick end cap of FIGS. 1-5.
 FIG. 7 is a rear side view of the ice hockey stick end cap of FIGS. 1-6.
 FIG. 8 is a perspective view of the ice hockey stick end cap according to another embodiment of the present design.
 FIG. 9 is a right-side view of the ice hockey stick end cap of FIG. 8.
 FIG. 10 is a left-side view of the ice hockey stick end cap of FIGS. 8-9.
 FIG. 11 is a bottom view of the ice hockey stick end cap of FIGS. 8-10.
 FIG. 12 is a top view of the ice hockey stick end cap of FIGS. 8-11.
 FIG. 13 is a front-side view of the ice hockey stick end cap of FIGS. 8-12; and,
 FIG. 14 is a rear-side view of the ice hockey stick end cap of FIGS. 8-13.
 The present design is a pentagonal end cap for an ice hockey stick.

1 Claim, 6 Drawing Sheets



(56)

References Cited

U.S. PATENT DOCUMENTS

5,865,696 A * 2/1999 Calapp A63B 59/70
473/561
6,004,234 A * 12/1999 Majchrowicz A63B 59/70
473/560
D444,834 S * 7/2001 Tucker, Sr. D21/753
D445,472 S * 7/2001 Tucker, Sr. D21/753
D492,375 S * 6/2004 Berghash D21/727
D546,898 S * 7/2007 Cooper D21/405
D565,140 S * 3/2008 Appleton D21/757
D567,890 S * 4/2008 Appleton D21/756
D629,478 S * 12/2010 Appleton D21/753
D631,117 S * 1/2011 Appleton D21/756
D752,167 S * 3/2016 Chorne D21/753

* cited by examiner

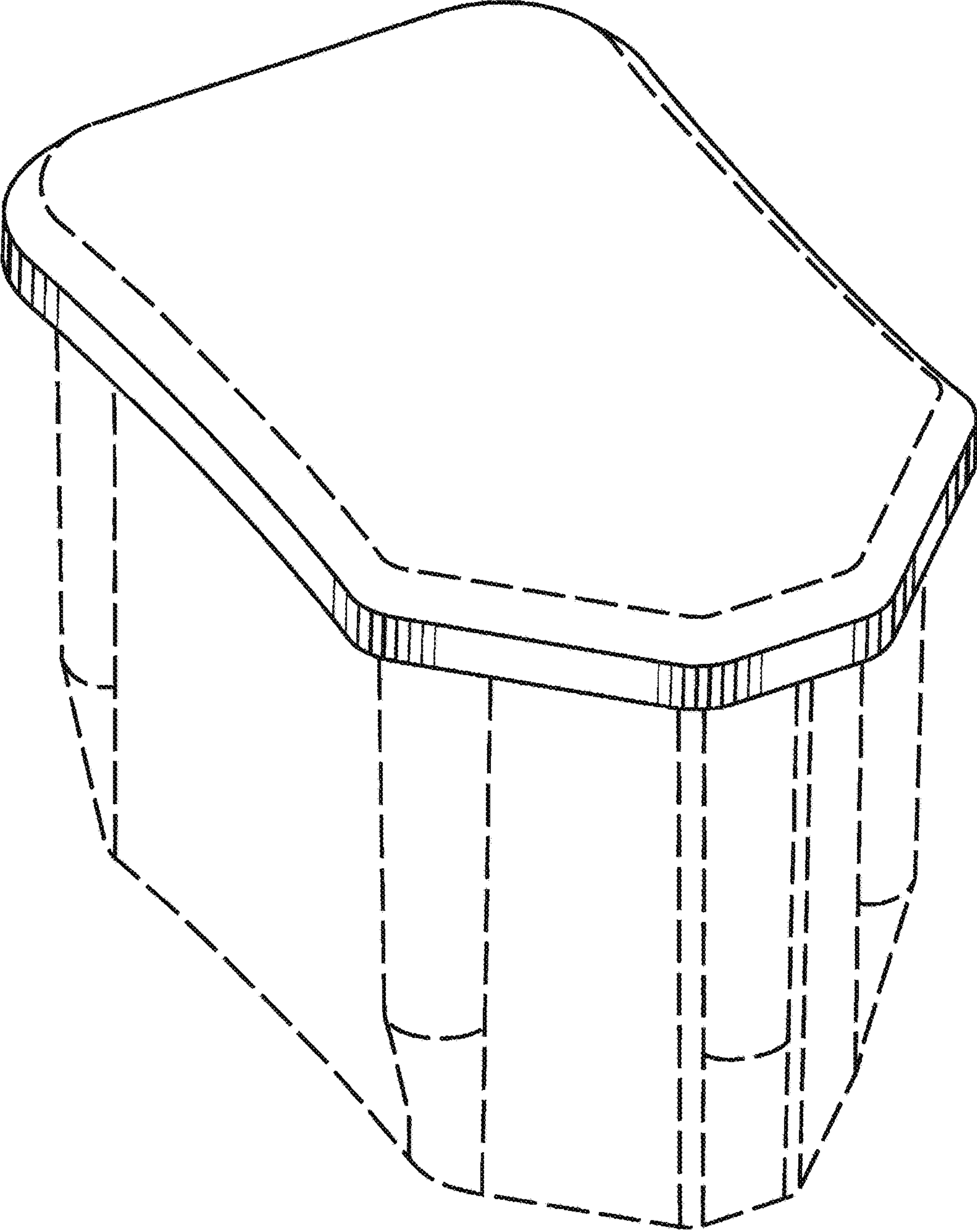


Fig. 1

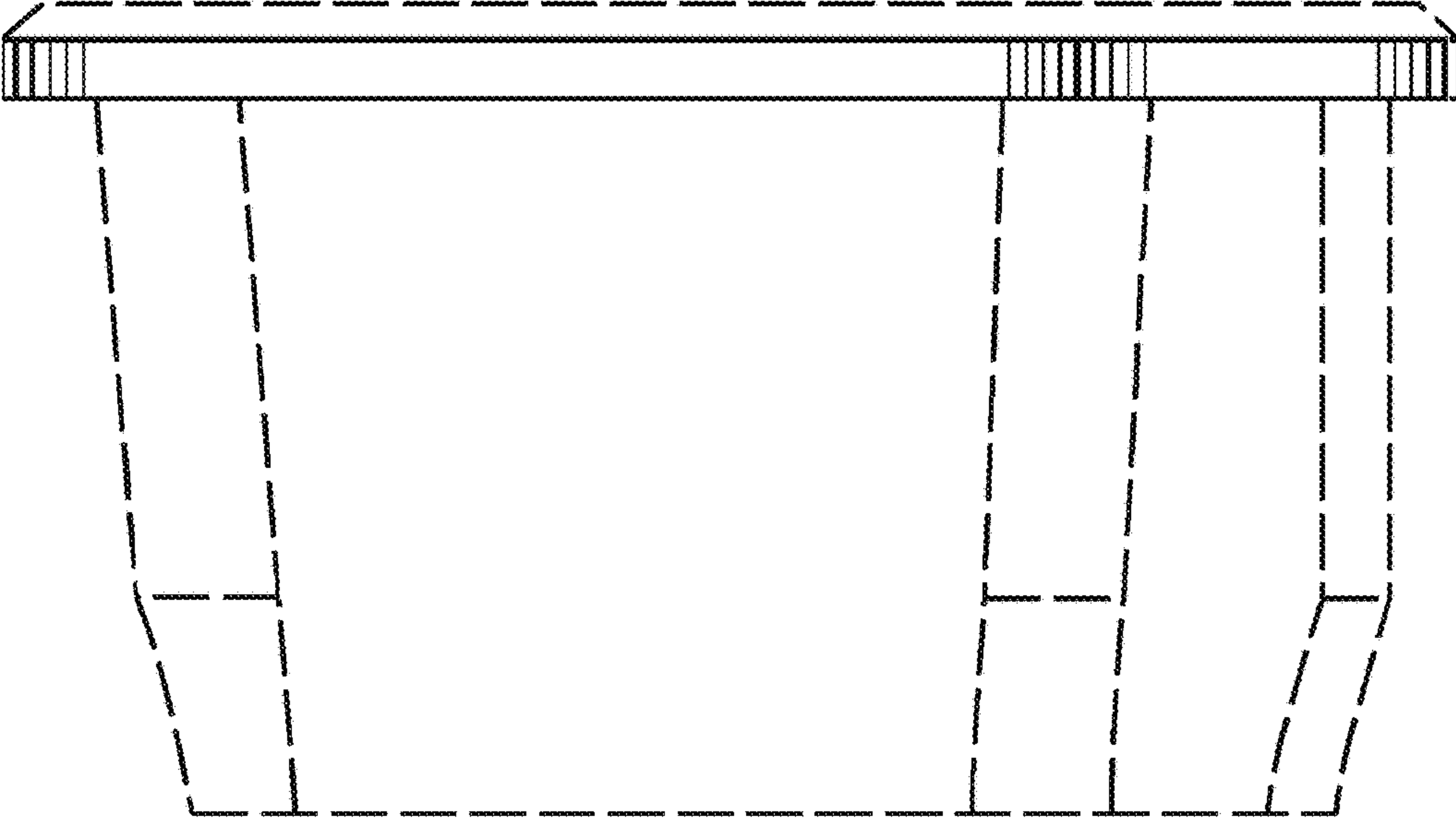


Fig. 2

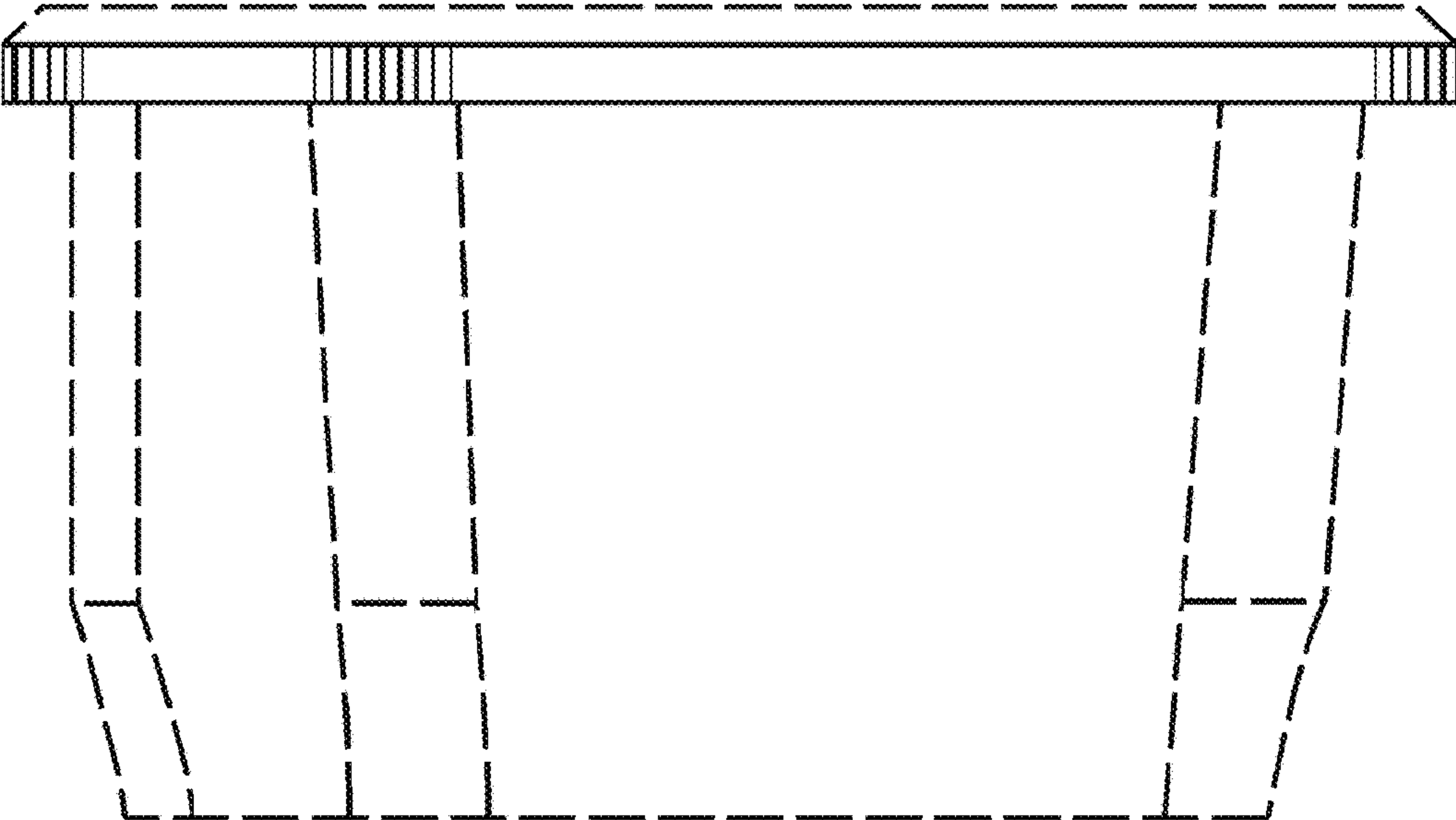


Fig. 3

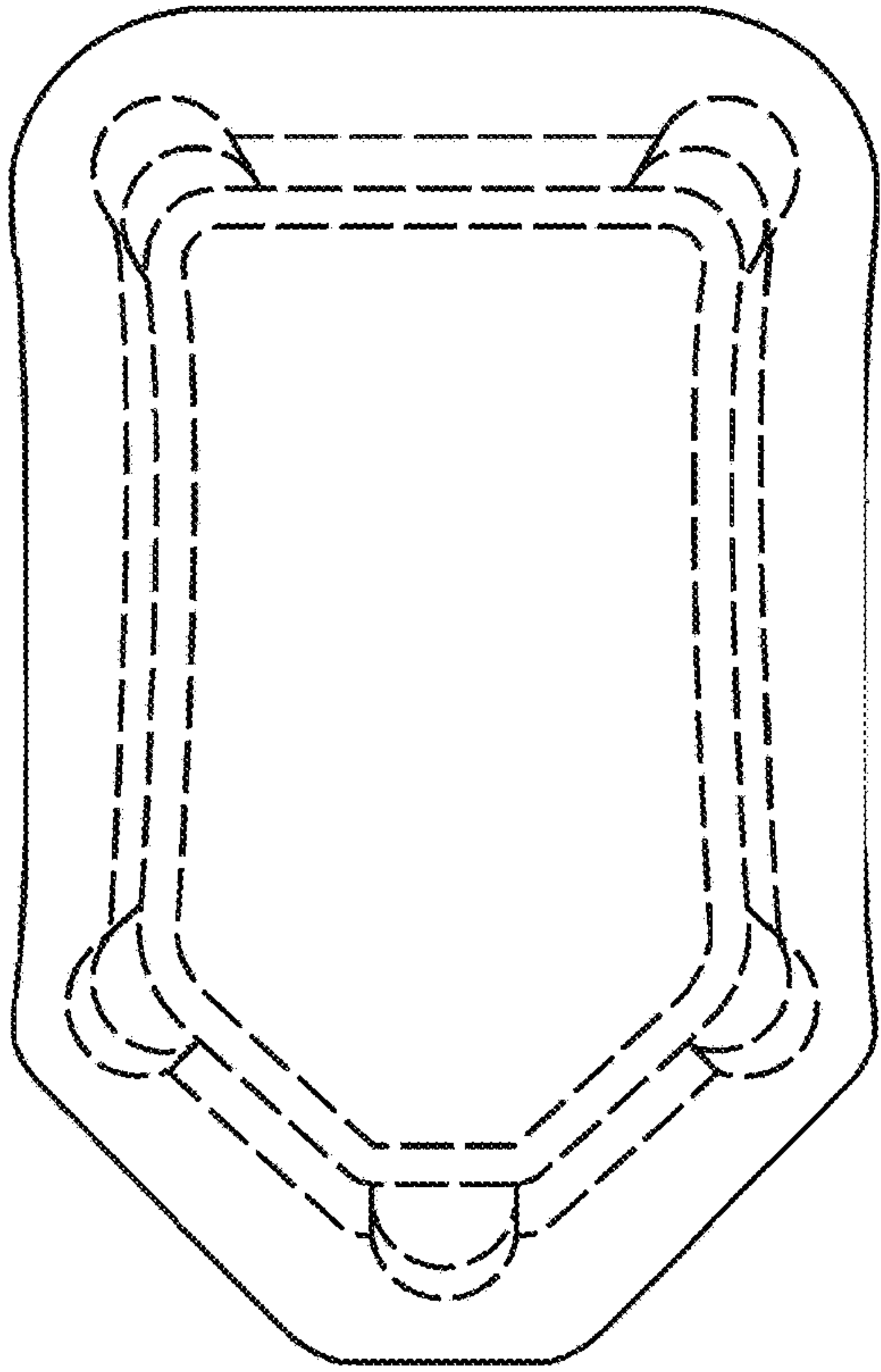


Fig. 4

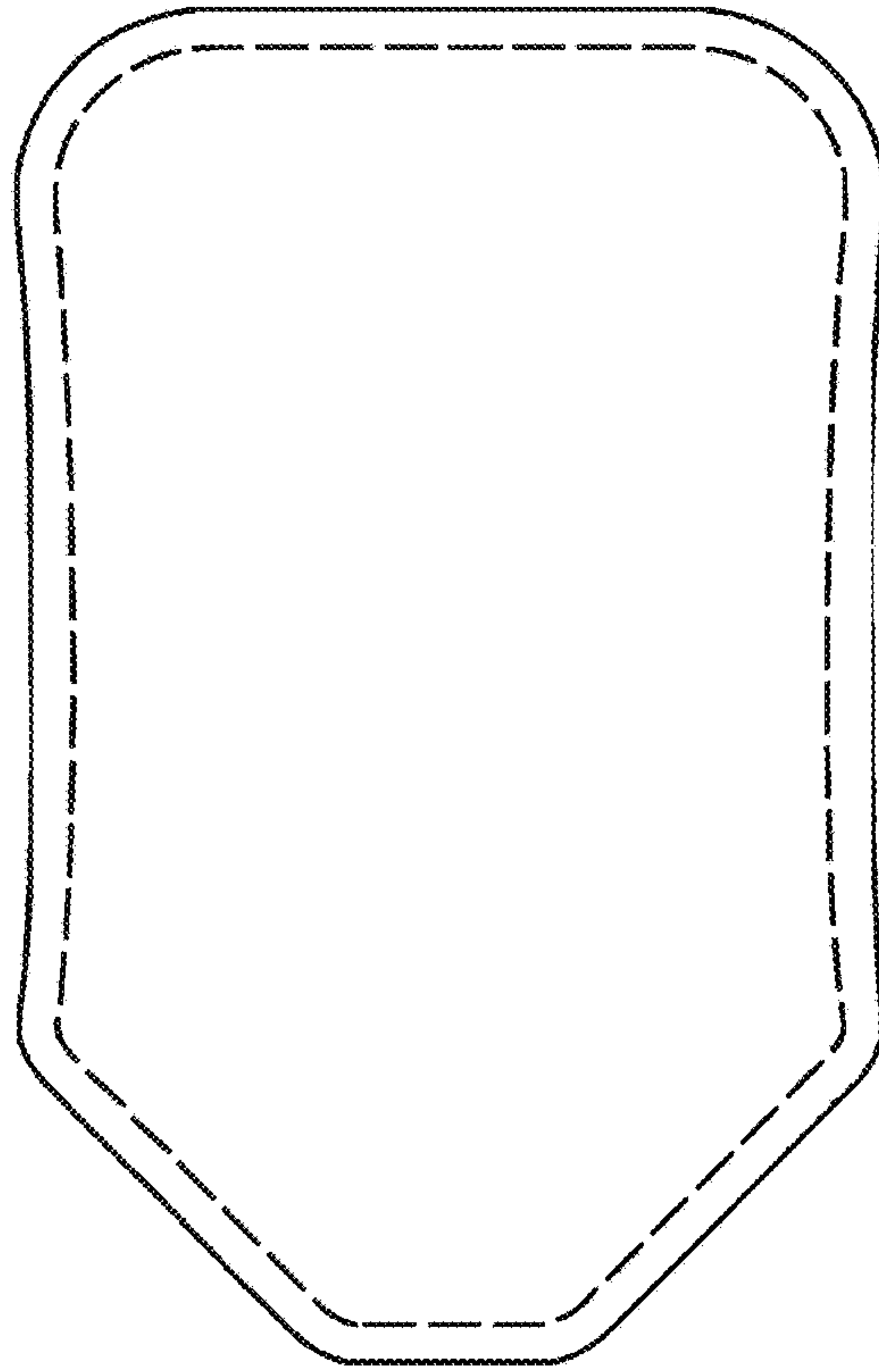


Fig. 5

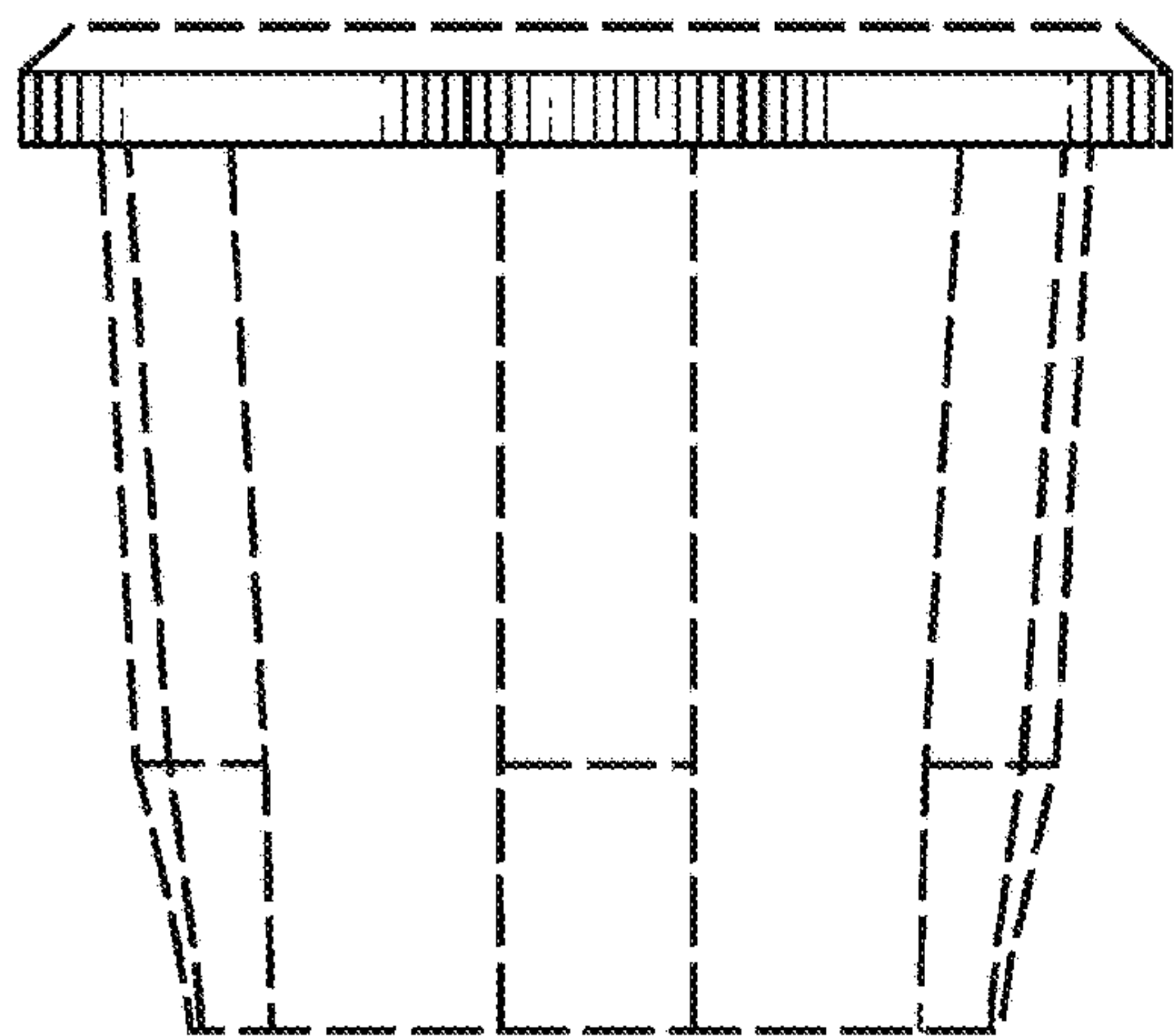


Fig. 6

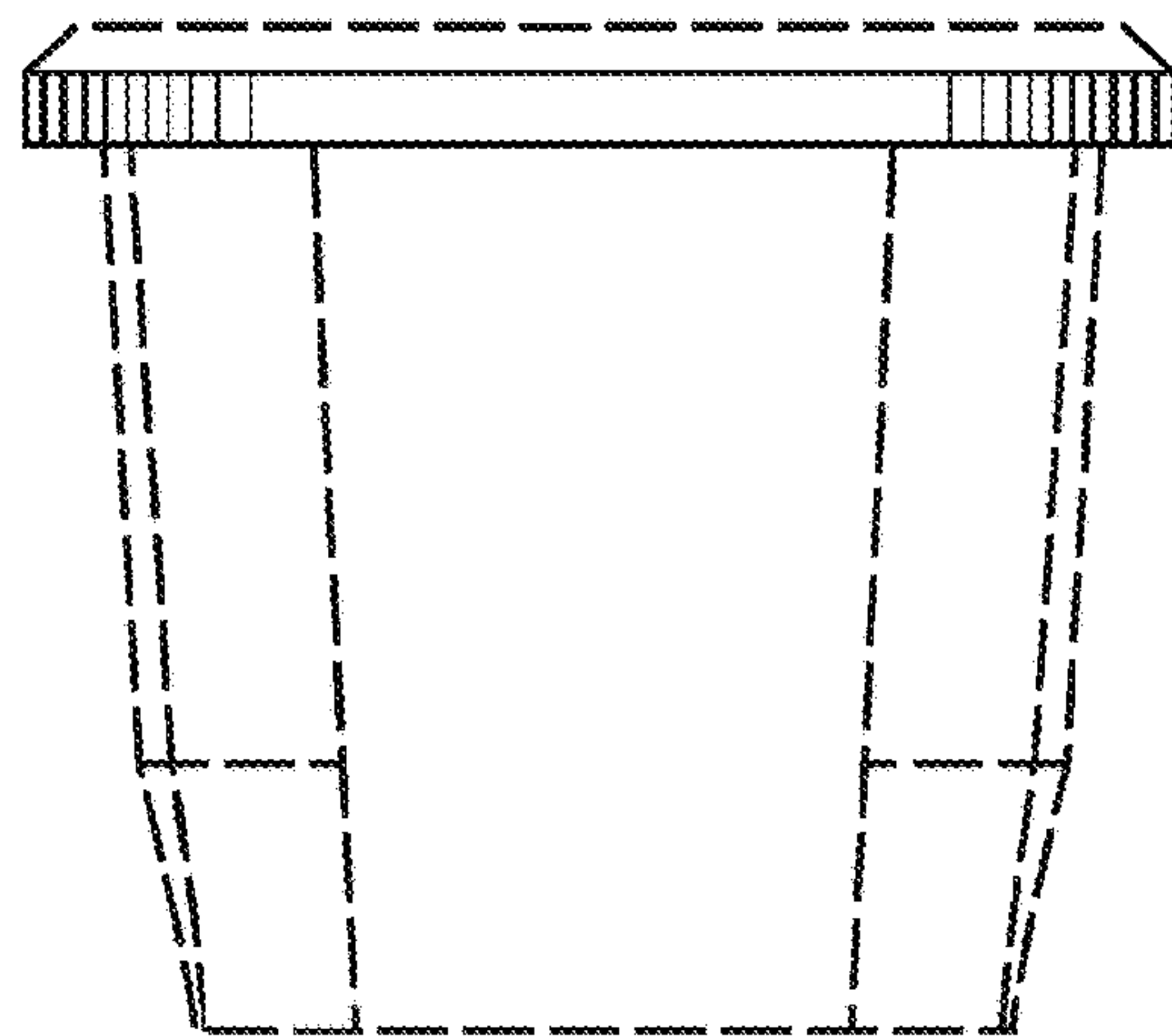


Fig. 7

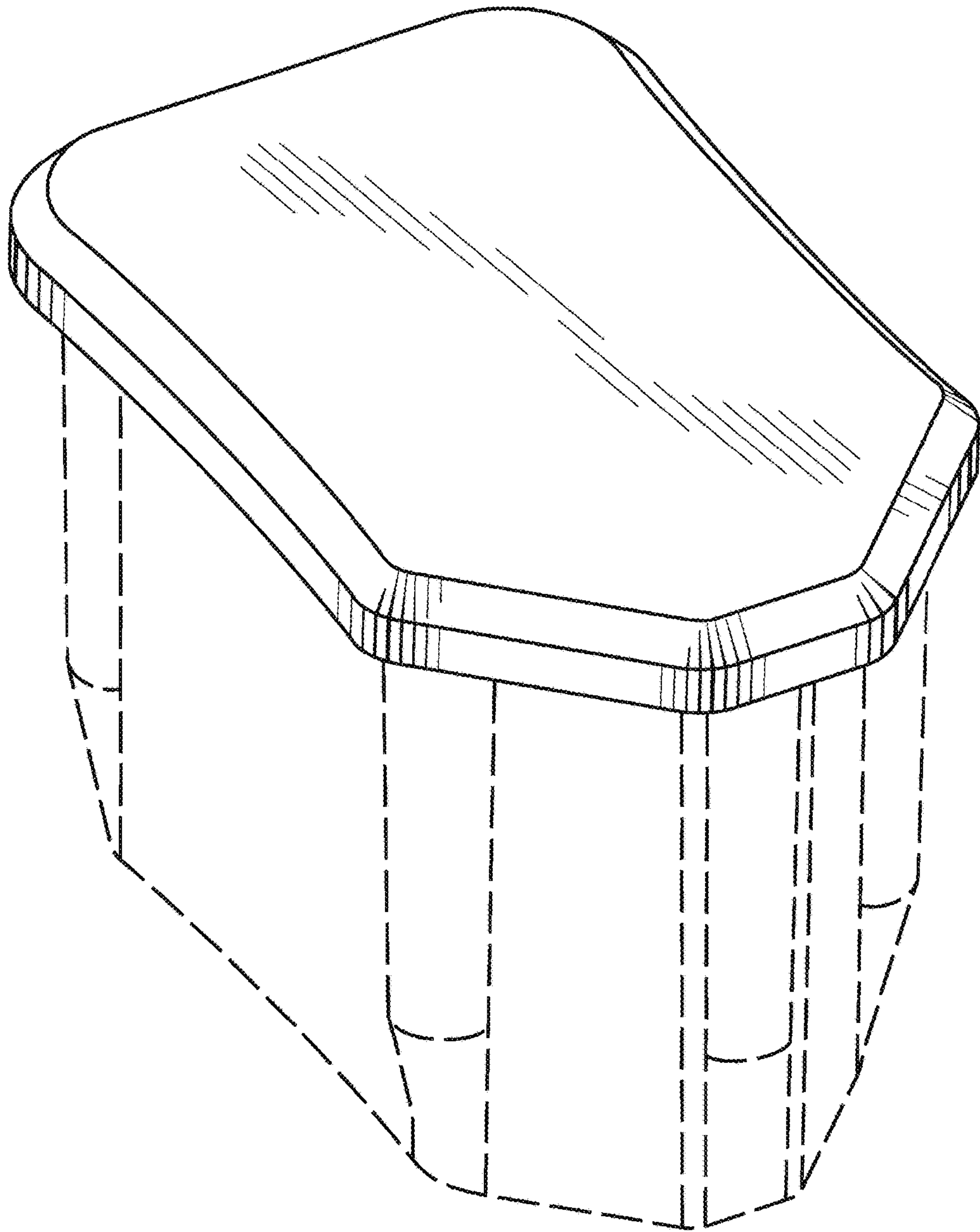


Fig. 8

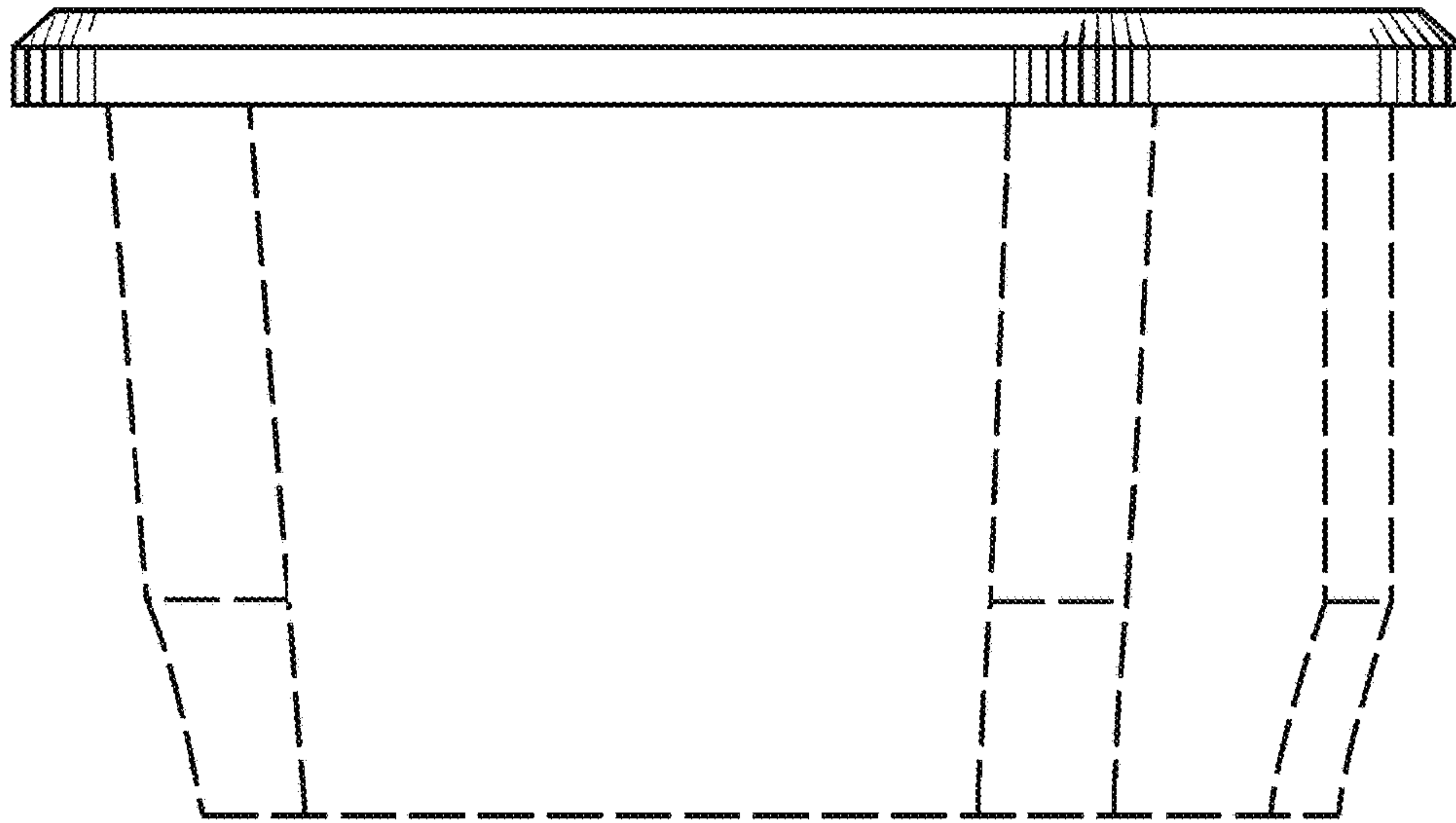


Fig. 9

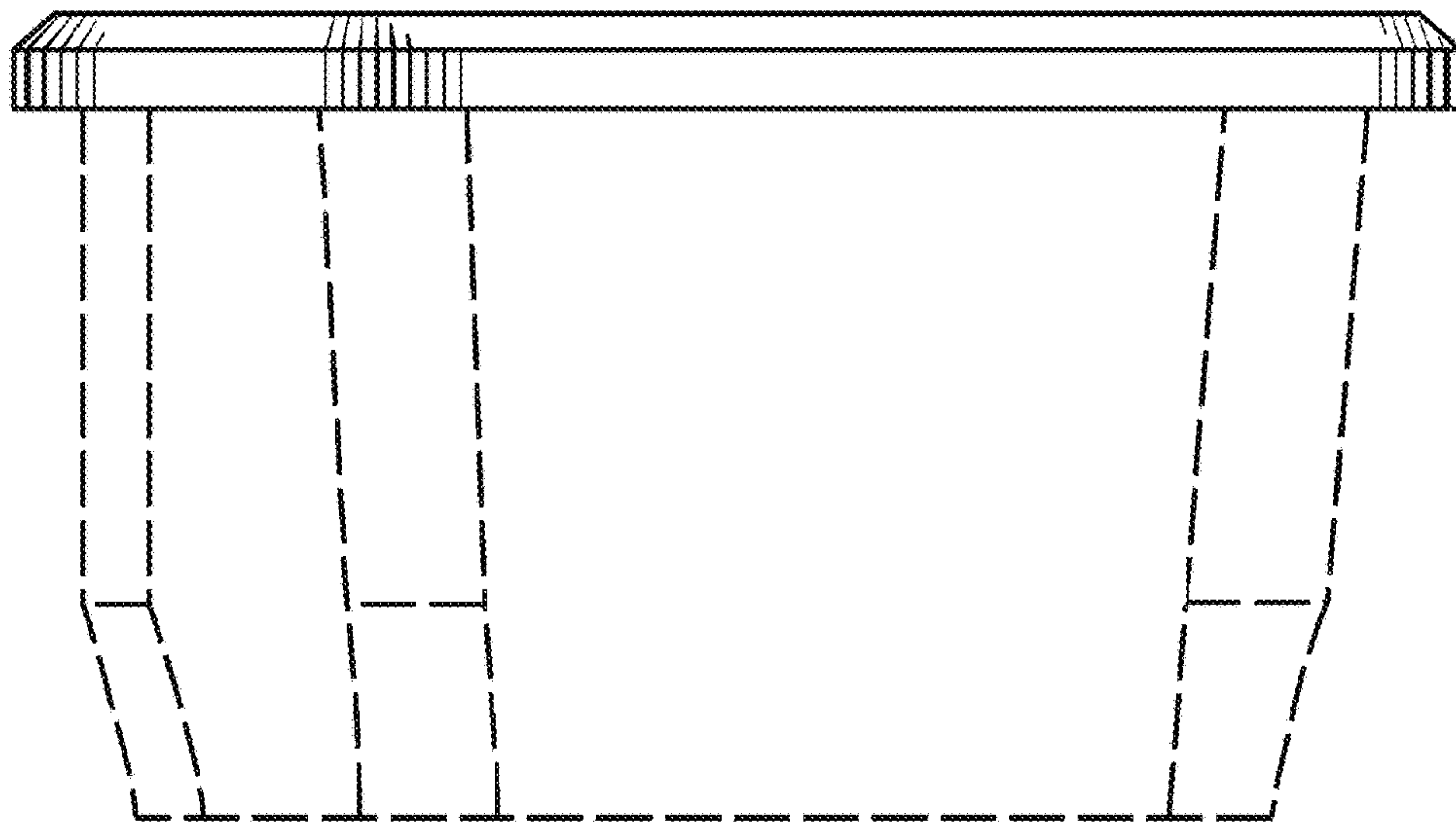


Fig. 10

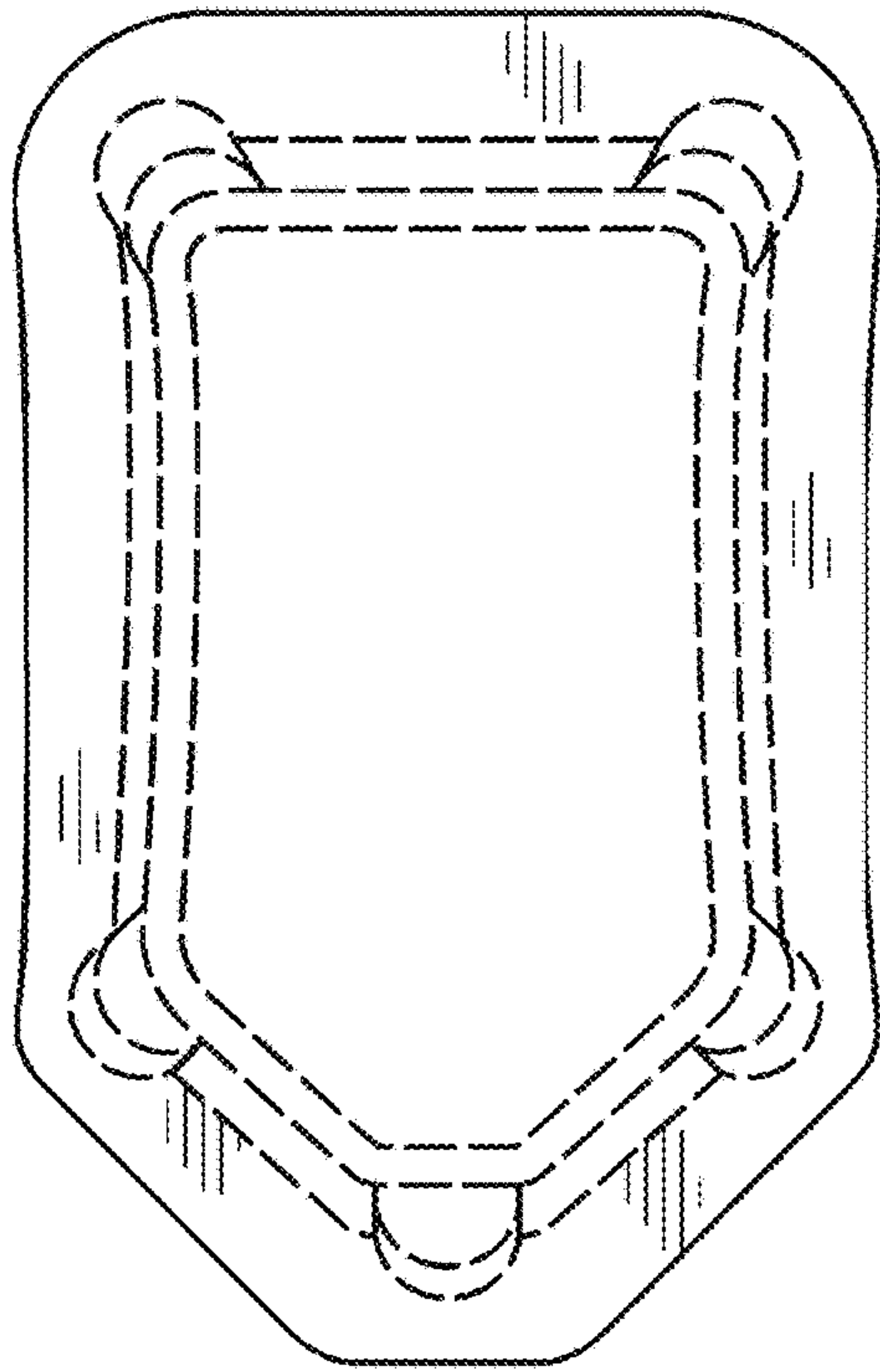


Fig. 11

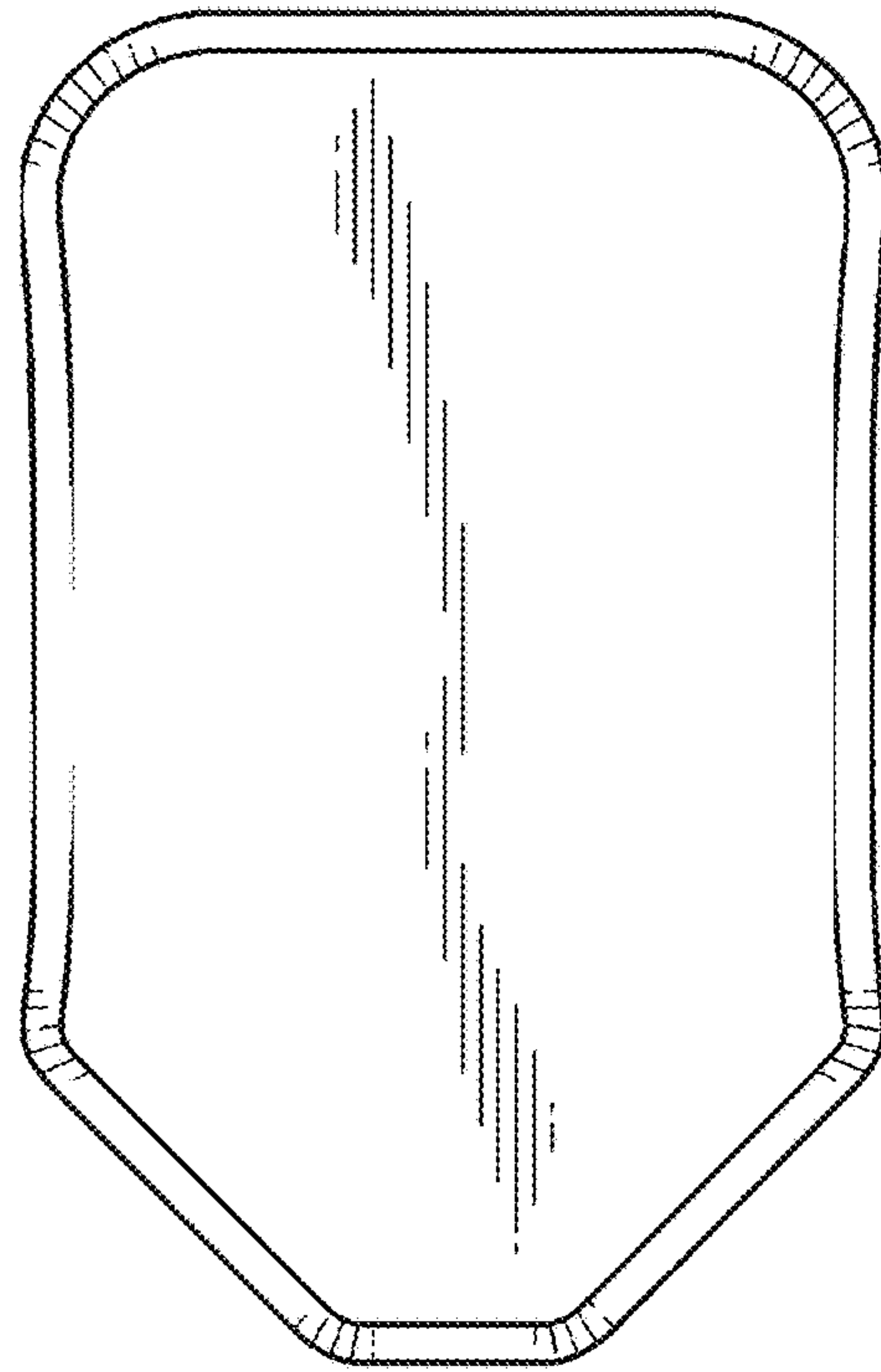


Fig. 12

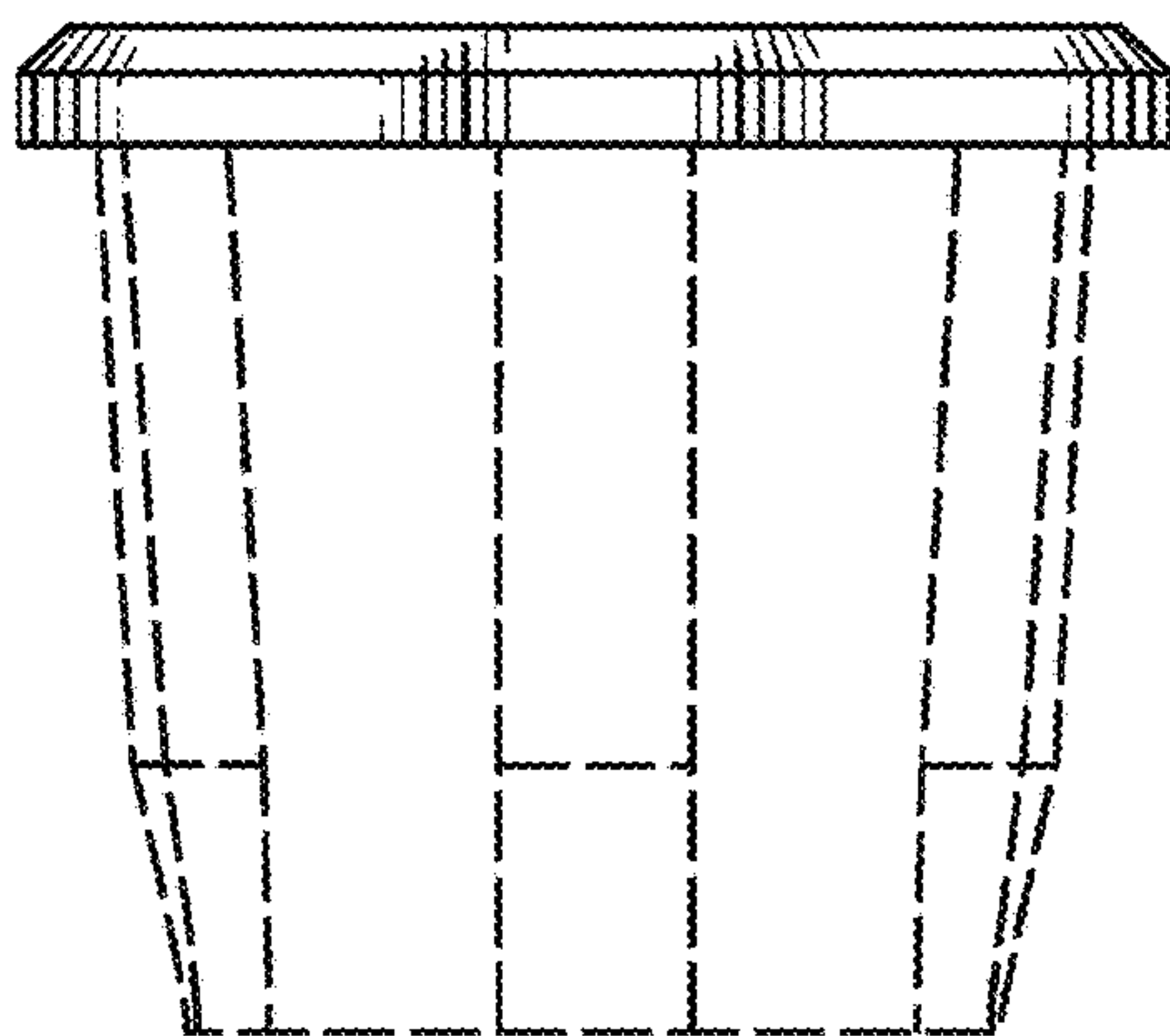


Fig. 13

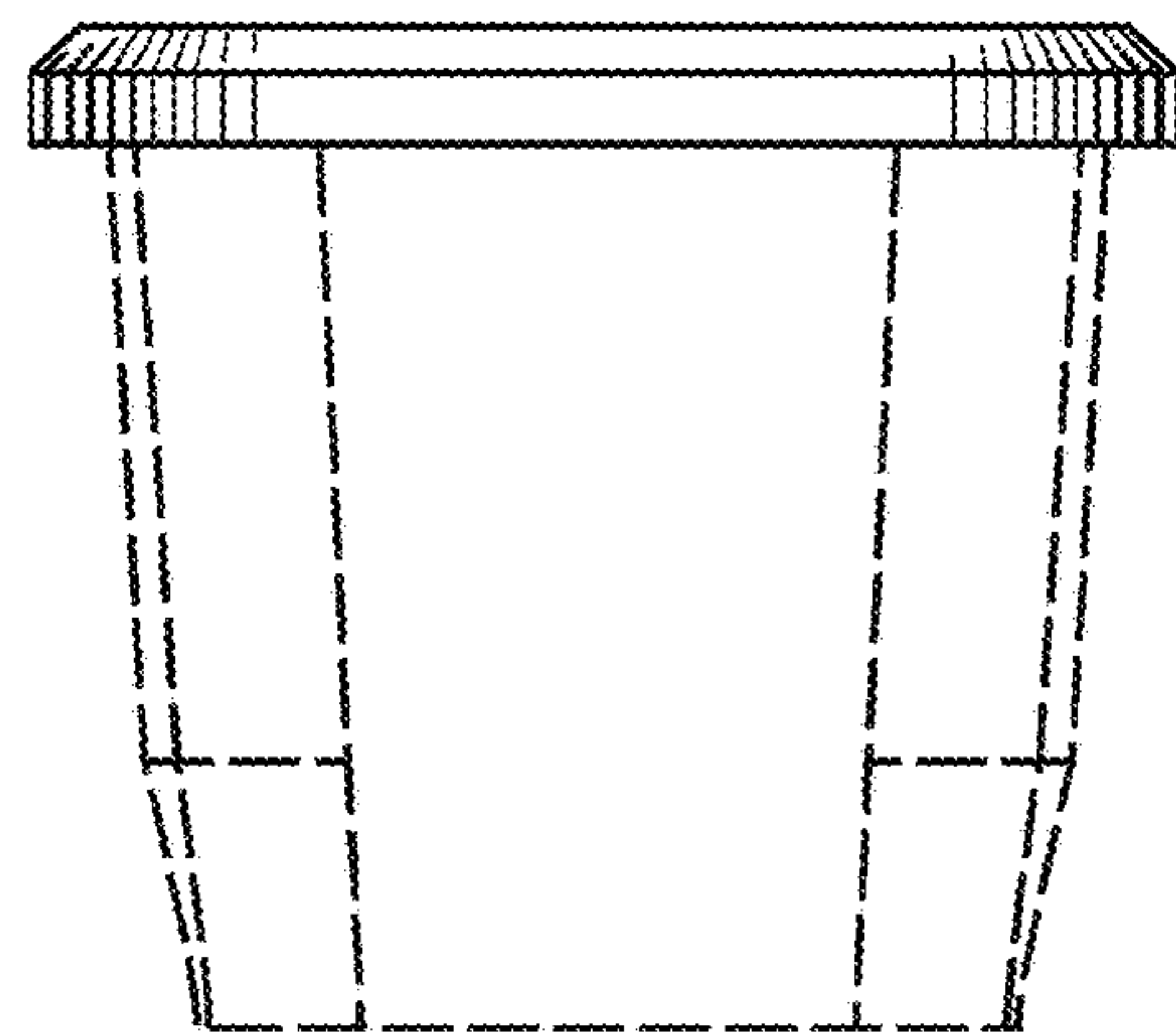


Fig. 14