



US00D792929S

(12) **United States Design Patent**  
**Serrano et al.**

(10) **Patent No.:** **US D792,929 S**

(45) **Date of Patent:** **\*\* Jul. 25, 2017**

(54) **GOLF CLUB HEAD**

(71) Applicant: **KARSTEN MANUFACTURING CORPORATION**, Phoenix, AZ (US)

(72) Inventors: **Anthony Serrano**, Anthem, AZ (US);  
**Xiaojian Chen**, Phoenix, AZ (US);  
**Calvin Wang**, Chandler, AZ (US);  
**David Higdon**, Phoenix, AZ (US)

(73) Assignee: **Karsten Manufacturing Corporation**, Phoenix, AZ (US)

(\*\*) Term: **15 Years**

(21) Appl. No.: **29/567,315**

(22) Filed: **Jun. 7, 2016**

(51) **LOC (10) Cl.** ..... **21-02**

(52) **U.S. Cl.**  
USPC ..... **D21/743**

(58) **Field of Classification Search**  
USPC ..... D21/736-746, 759  
CPC ... A63B 53/00; A63B 53/065; A63B 53/0487;  
A63B 53/007; A63B 53/04  
See application file for complete search history.

(56) **References Cited**

**U.S. PATENT DOCUMENTS**

D207,227 S *	3/1967	Solheim	.....	D21/739
3,884,477 A	5/1975	Bianco		
4,030,766 A	6/1977	Derr		
D316,129 S	4/1991	Bryson		
5,275,412 A	1/1994	Innes		
5,685,784 A	11/1997	Butler		
D389,207 S *	1/1998	Cameron	.....	D21/742
D410,267 S *	5/1999	Solheim	.....	D21/736
D420,079 S	2/2000	Frazetta		
D426,599 S *	6/2000	Morgan	.....	D21/736
D428,086 S *	7/2000	Solheim	.....	D21/743
6,159,108 A	12/2000	De La Pena		

D443,906 S *	6/2001	Hettinger	.....	D21/743
D449,085 S *	10/2001	Breier	.....	D21/744
6,379,259 B1	4/2002	Opie		
D485,320 S *	1/2004	Breier	.....	D21/736
D488,526 S	4/2004	Souza		
D498,276 S *	11/2004	Schweigert	.....	D21/743
D500,109 S	12/2004	Solheim		
D500,110 S	12/2004	Solheim		
6,837,801 B1	1/2005	Souza		

(Continued)

*Primary Examiner* — Mitchell Siegel

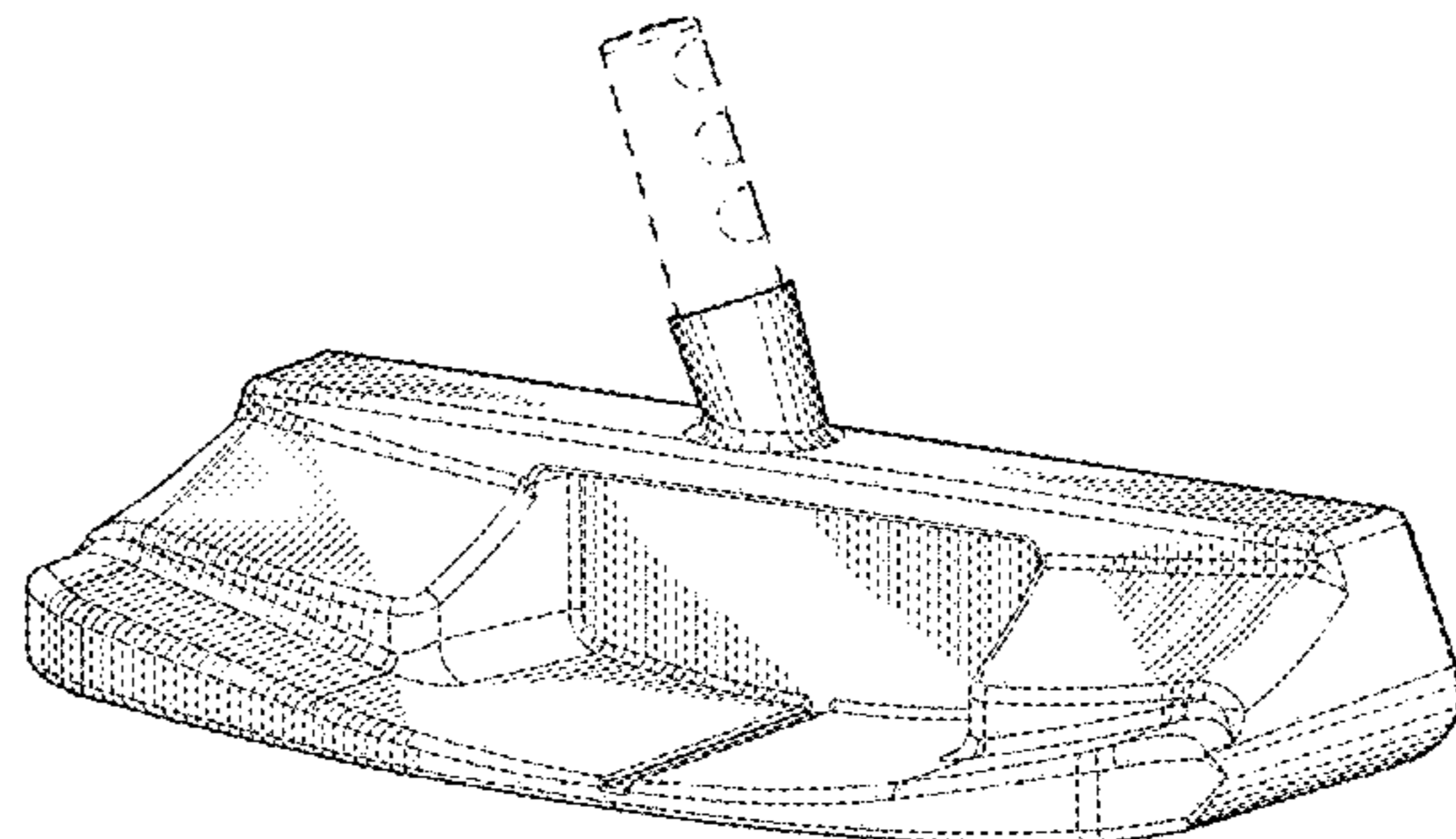
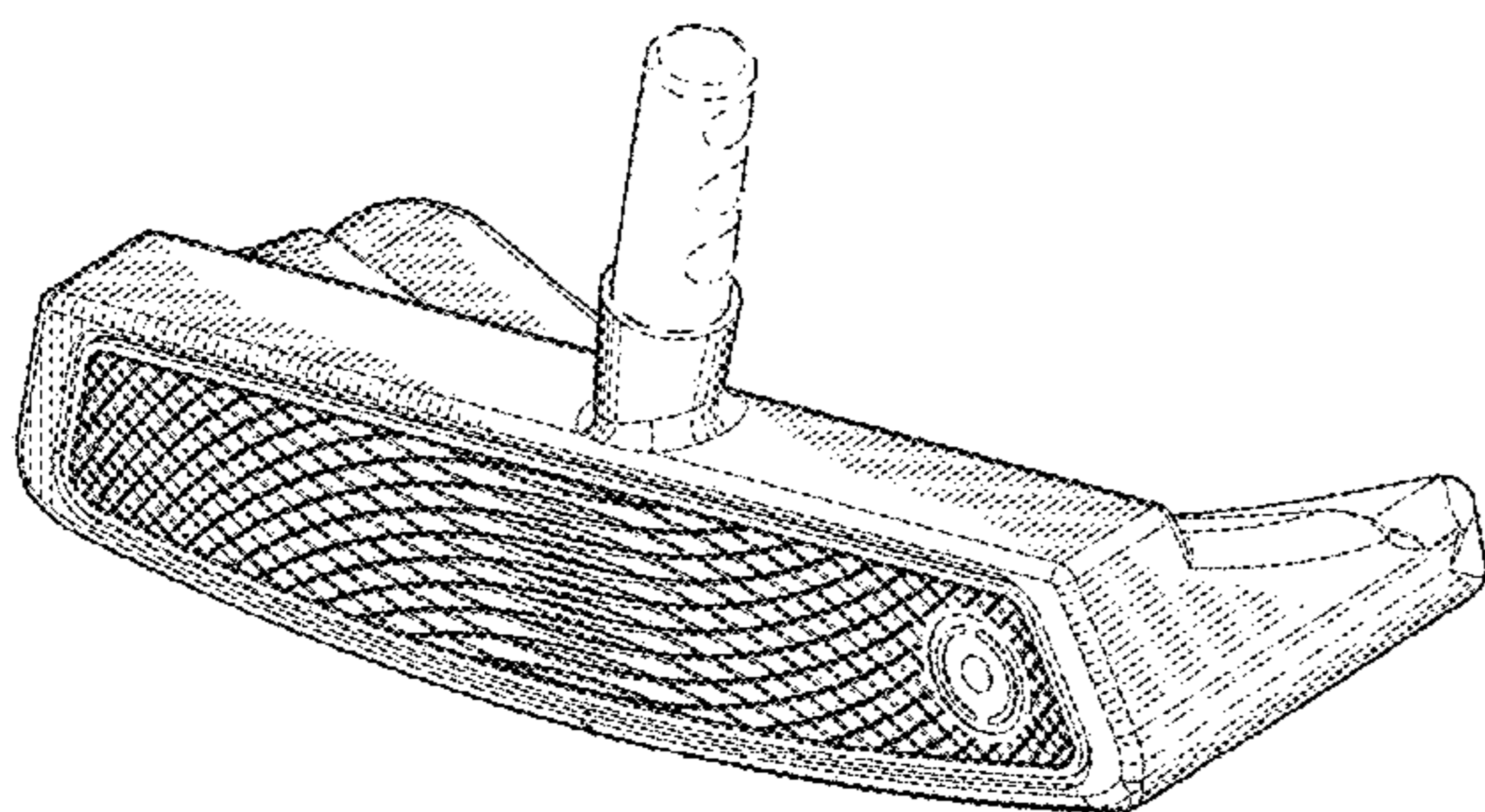
(57) **CLAIM**

The ornamental design for a golf club head, as shown and described.

**DESCRIPTION**

FIG. 1 is a top front perspective view of a golf club head; FIG. 2 is a top rear perspective view of the golf club head of FIG. 1; FIG. 3 is a front view of the golf club head of FIG. 1; FIG. 4 is a rear view of the golf club head of FIG. 1; FIG. 5 is a top view of the golf club head of FIG. 1; FIG. 6 is a bottom view of the golf club head of FIG. 1; FIG. 7 is a toe view of the golf club head of FIG. 1; FIG. 8 is a heel view of the golf club head of FIG. 1; FIG. 9 is a top front perspective view of a second embodiment of a golf club head; FIG. 10 is a top rear perspective view of the golf club head of FIG. 9; FIG. 11 is a front view of the golf club head of FIG. 9; FIG. 12 is a rear view of the golf club head of FIG. 9; FIG. 13 is a top view of the golf club head of FIG. 9; FIG. 14 is a bottom view of the golf club head of FIG. 9; FIG. 15 is a toe view of the golf club head of FIG. 9; and, FIG. 16 is a heel view of the golf club head of FIG. 9. The broken lines shown in one or more of the figures are for illustrative purposes only and form no part of the claimed design.

**1 Claim, 8 Drawing Sheets**



(56)

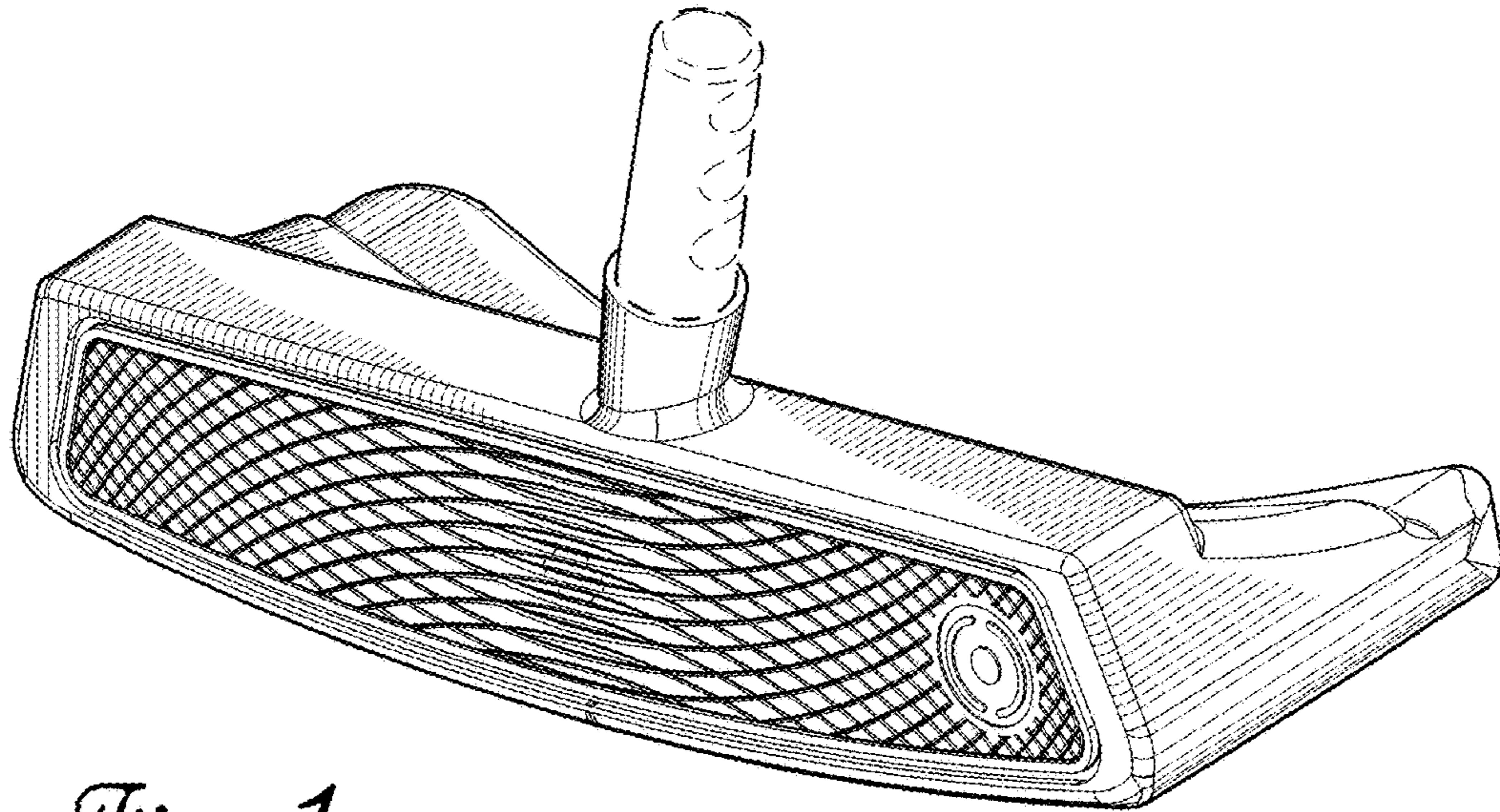
References Cited

U.S. PATENT DOCUMENTS

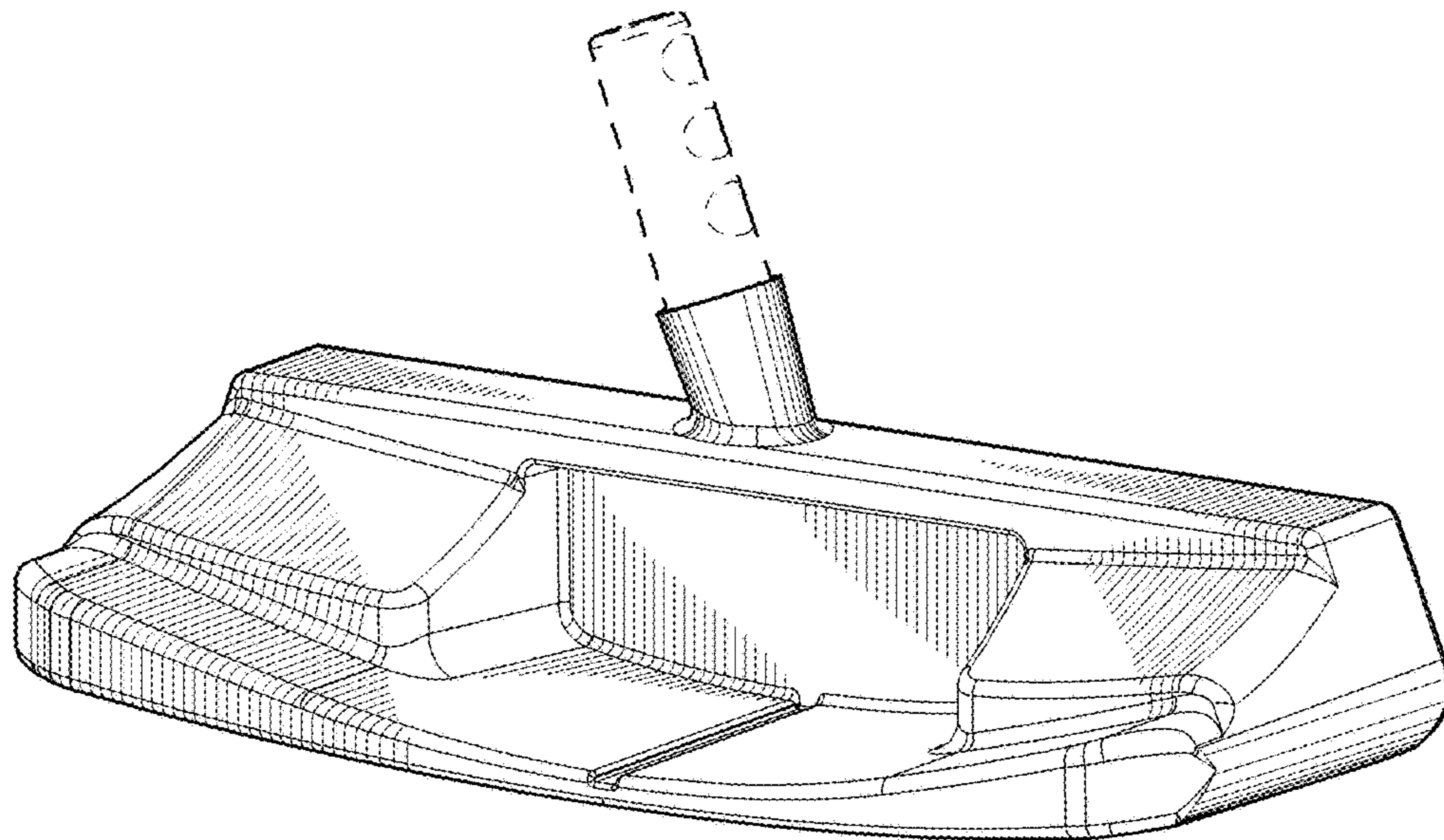
6,878,071 B1 4/2005 Schwieger  
 6,893,355 B2 5/2005 Souza  
 6,902,496 B2 6/2005 Solheim  
 D507,612 S 7/2005 Souza  
 6,926,615 B1 8/2005 Souza  
 6,960,140 B2 11/2005 Solheim  
 6,966,845 B2 11/2005 Solheim  
 D520,584 S 5/2006 Karlson  
 D521,580 S \* 5/2006 Burrows ..... D21/736  
 D521,582 S 5/2006 Souza  
 7,052,411 B2 5/2006 Solheim  
 D522,598 S 6/2006 Solheim  
 7,077,758 B2 7/2006 Rohrer  
 7,086,957 B2 8/2006 Solheim  
 D527,777 S 9/2006 Solheim  
 D529,108 S 9/2006 Stites  
 D532,847 S 11/2006 Rollinson  
 D533,243 S 12/2006 Fife, Jr.  
 D535,712 S \* 1/2007 Toroussian ..... D21/749  
 7,235,021 B2 6/2007 Solheim  
 D548,294 S \* 8/2007 Nguyen et al. .... D21/736  
 D548,295 S 8/2007 Jertson  
 7,255,650 B2 8/2007 Braynt  
 D552,196 S \* 10/2007 Hueber ..... D21/742  
 D552,197 S 10/2007 Wells  
 D562,921 S \* 2/2008 Nguyen ..... D21/742  
 D565,137 S 3/2008 Oldknow  
 D569,462 S 5/2008 Rollinson  
 7,371,185 B1 5/2008 Rohrer  
 D578,586 S \* 10/2008 Oldknow ..... D21/744  
 D581,473 S 11/2008 Thomas  
 D583,003 S 12/2008 Solheim  
 D583,886 S \* 12/2008 Cameron ..... D21/743  
 D583,887 S \* 12/2008 Cameron ..... D21/743  
 D587,325 S 2/2009 Solheim  
 D588,657 S \* 3/2009 Hettinger ..... D21/744  
 D590,462 S \* 4/2009 Hettinger ..... D21/743  
 D595,372 S 6/2009 Rollinson  
 D600,760 S 9/2009 Serrano  
 D600,761 S 9/2009 Solheim

D600,762 S 9/2009 Serrano  
 7,601,076 B2 10/2009 Rollinson  
 D607,950 S 1/2010 Souza  
 D621,458 S 8/2010 Serrano  
 D621,460 S 8/2010 Serrano  
 D621,461 S 8/2010 Serrano  
 D621,462 S 8/2010 Serrano  
 D621,891 S 8/2010 Serrano  
 7,803,066 B2 9/2010 Solheim  
 7,815,515 B1 10/2010 Hunt  
 D638,891 S 5/2011 Nicolette  
 D638,892 S \* 5/2011 Hettinger ..... D21/743  
 D640,341 S 6/2011 Foster et al.  
 D643,080 S 8/2011 Serrano  
 D643,485 S 8/2011 Nicolette  
 D643,486 S 8/2011 Serrano  
 D643,487 S 8/2011 Serrano  
 D643,893 S \* 8/2011 Rollinson ..... D21/742  
 D648,407 S \* 11/2011 Teramoto ..... D21/743  
 D650,456 S \* 12/2011 Tang ..... D21/743  
 8,100,779 B2 1/2012 Solheim  
 D653,718 S 2/2012 Stokke  
 8,109,838 B2 2/2012 Solheim  
 8,128,505 B2 3/2012 Tryner et al.  
 D664,617 S 7/2012 Serrano  
 D684,643 S \* 6/2013 Kim ..... D21/744  
 D689,574 S \* 9/2013 Rollinson ..... D21/743  
 D702,782 S \* 4/2014 Wempe ..... D21/743  
 D763,373 S \* 8/2016 Cardani ..... D21/736  
 D769,383 S \* 10/2016 Abbott ..... D21/743  
 D774,151 S \* 12/2016 Serrano ..... D21/743  
 D784,468 S \* 4/2017 Rollinson ..... D21/743  
 2005/0170904 A1 8/2005 Smeeth  
 2006/0094533 A1 5/2006 Warren  
 2006/0166755 A1 7/2006 Brown  
 2007/0191135 A1 8/2007 Nilsson  
 2008/0096686 A1 4/2008 Bilkhu  
 2009/0270198 A1 10/2009 Solheim et al.  
 2009/0305806 A1 12/2009 Campadore et al.  
 2009/0305807 A1 12/2009 Solheim et al.  
 2010/0227704 A1 9/2010 Souza  
 2012/0115628 A1 5/2012 Woods

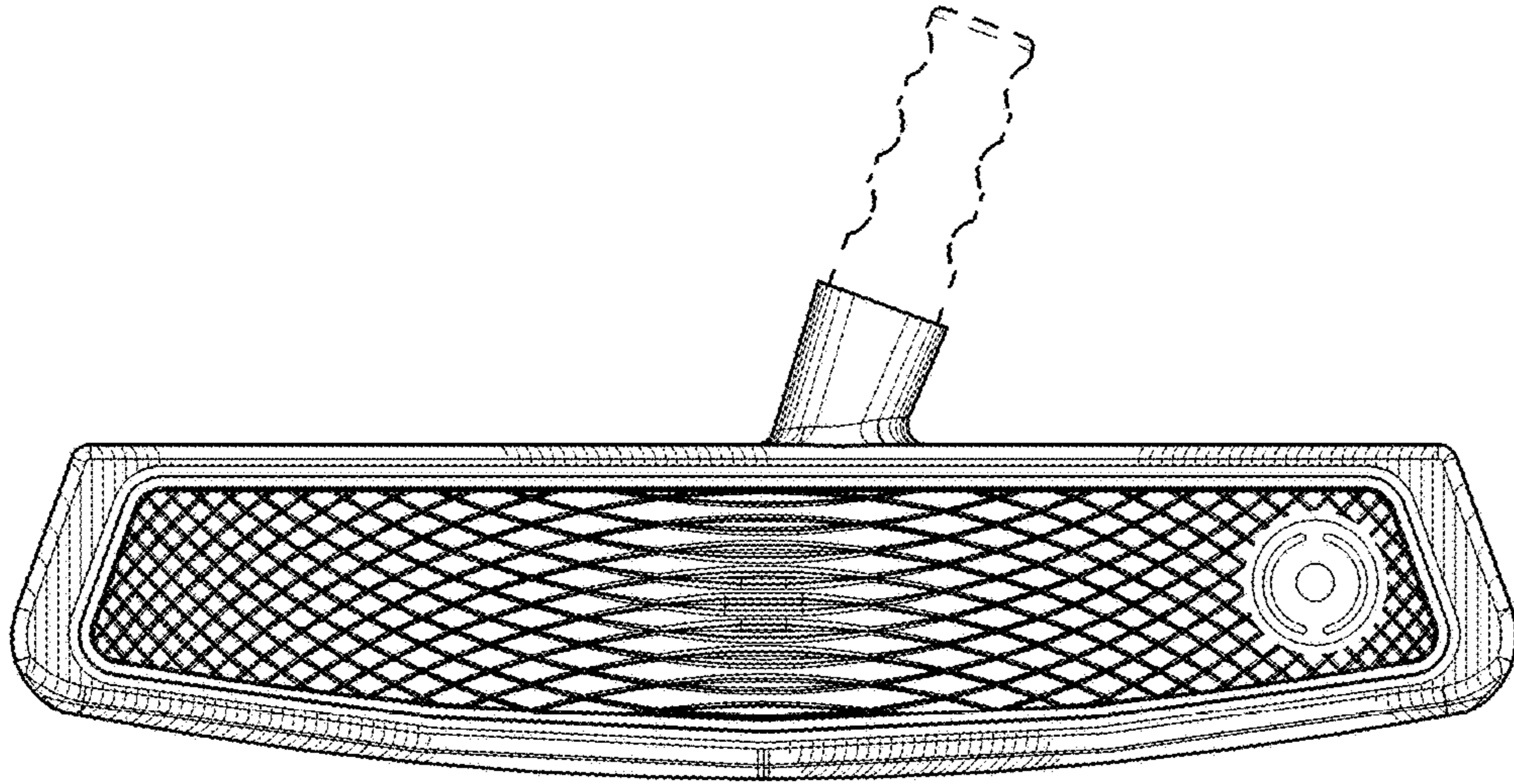
\* cited by examiner



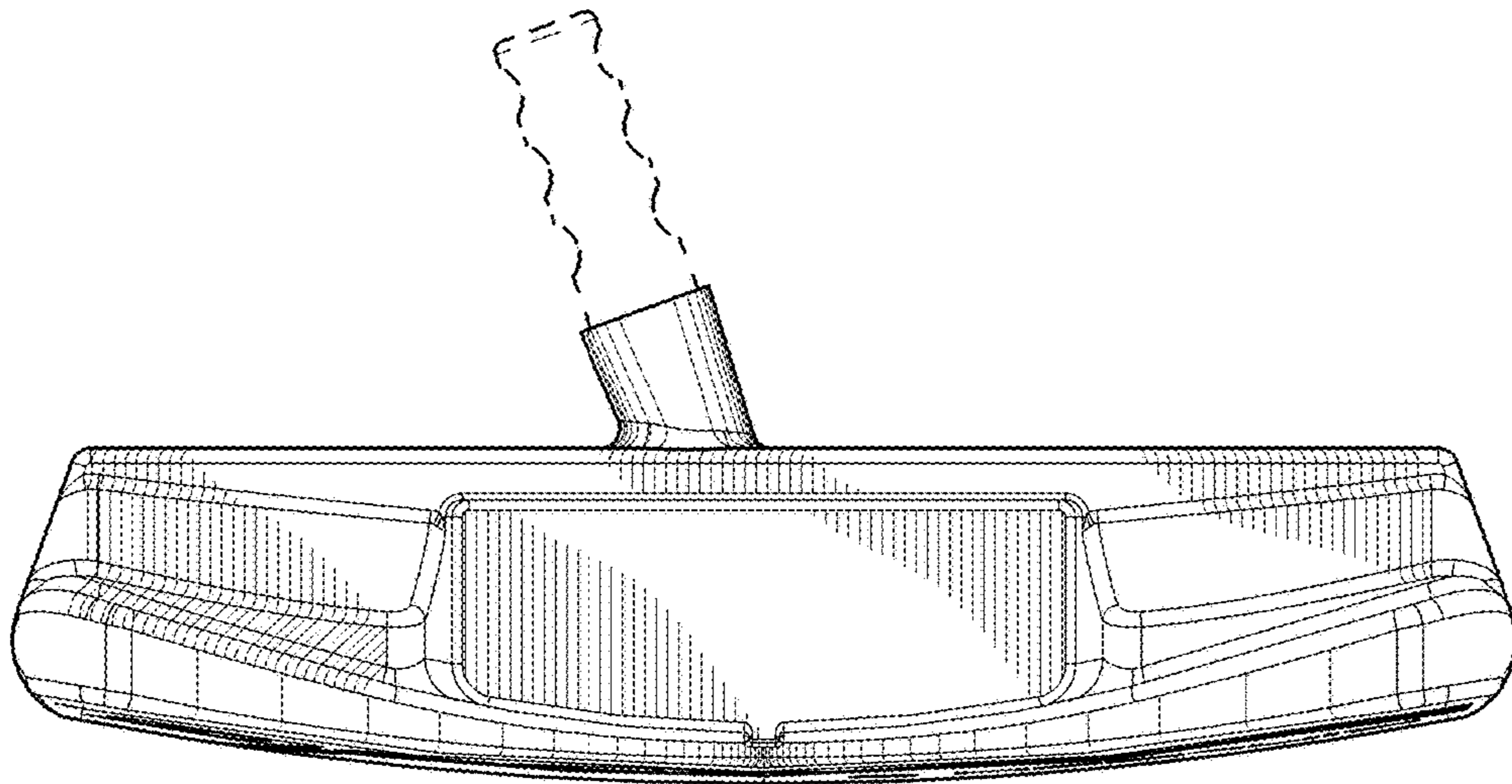
*Fig. 1*



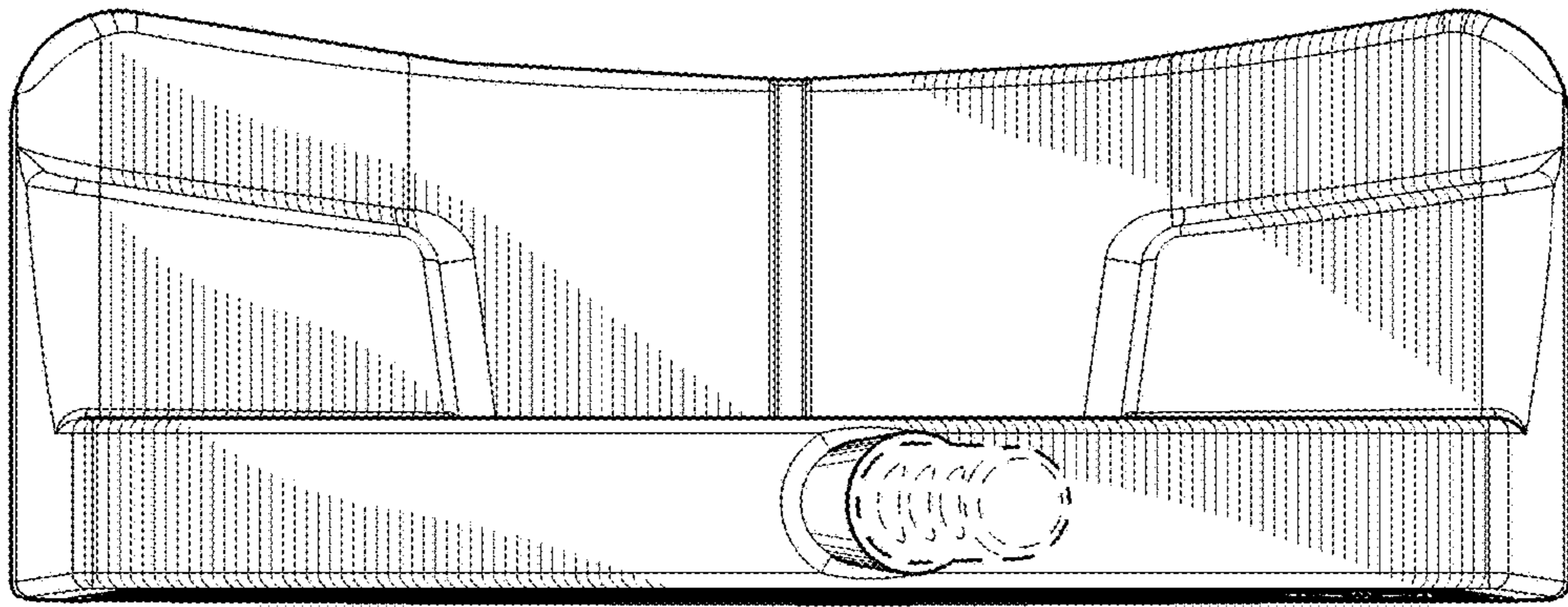
*Fig. 2*



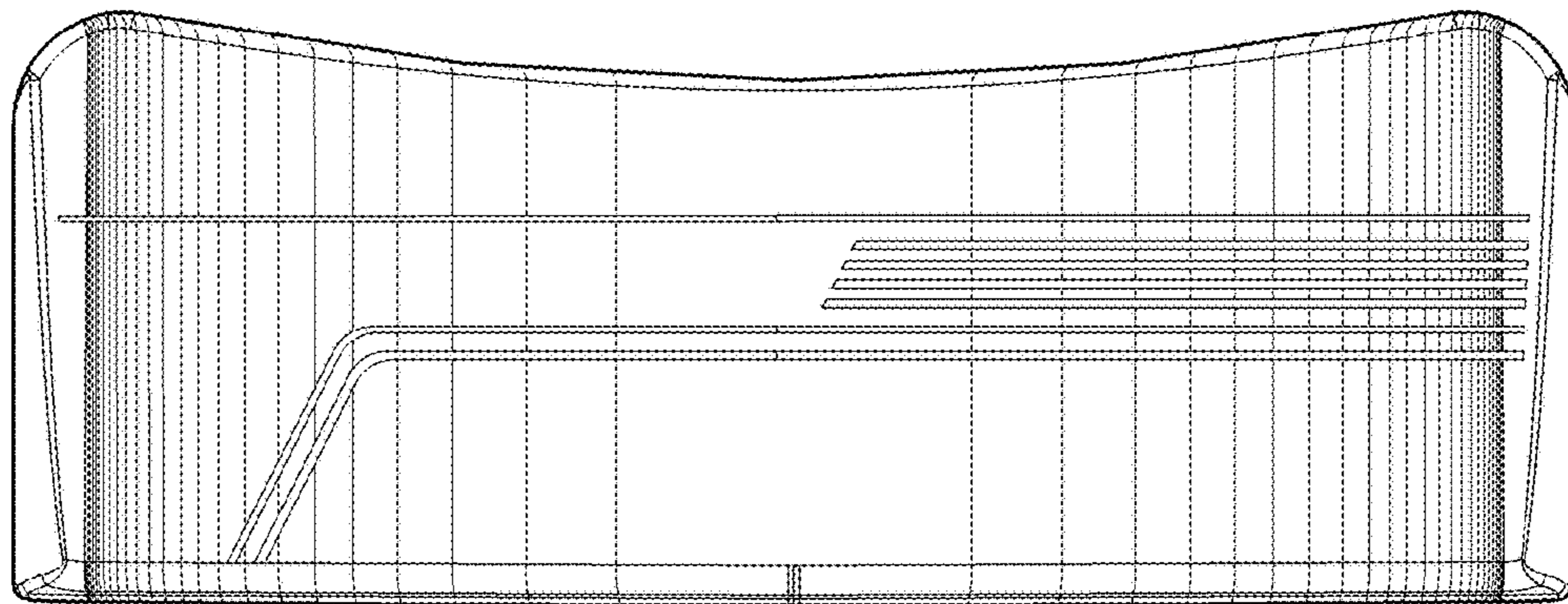
*Fig. 3*



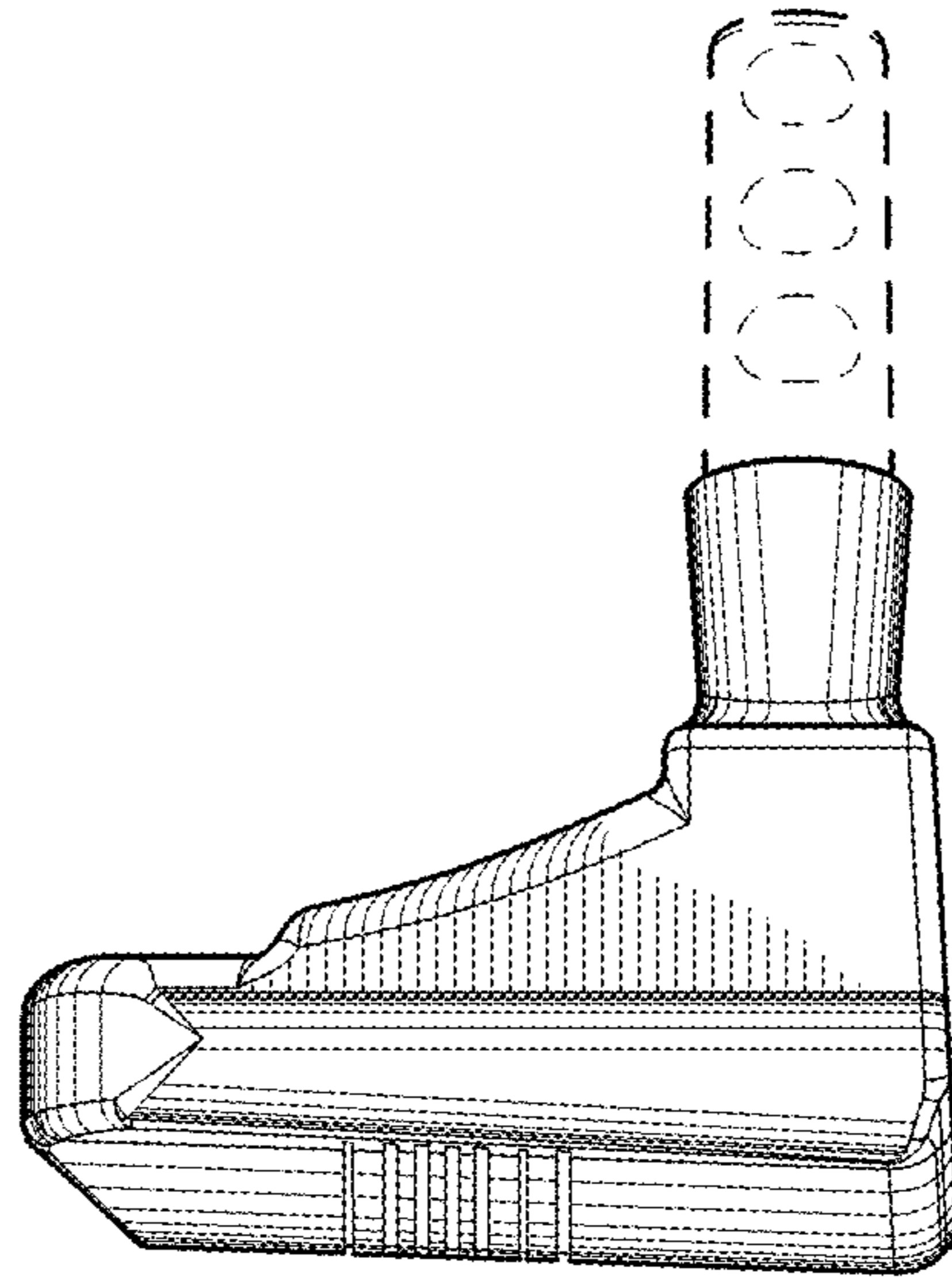
*Fig. 4*



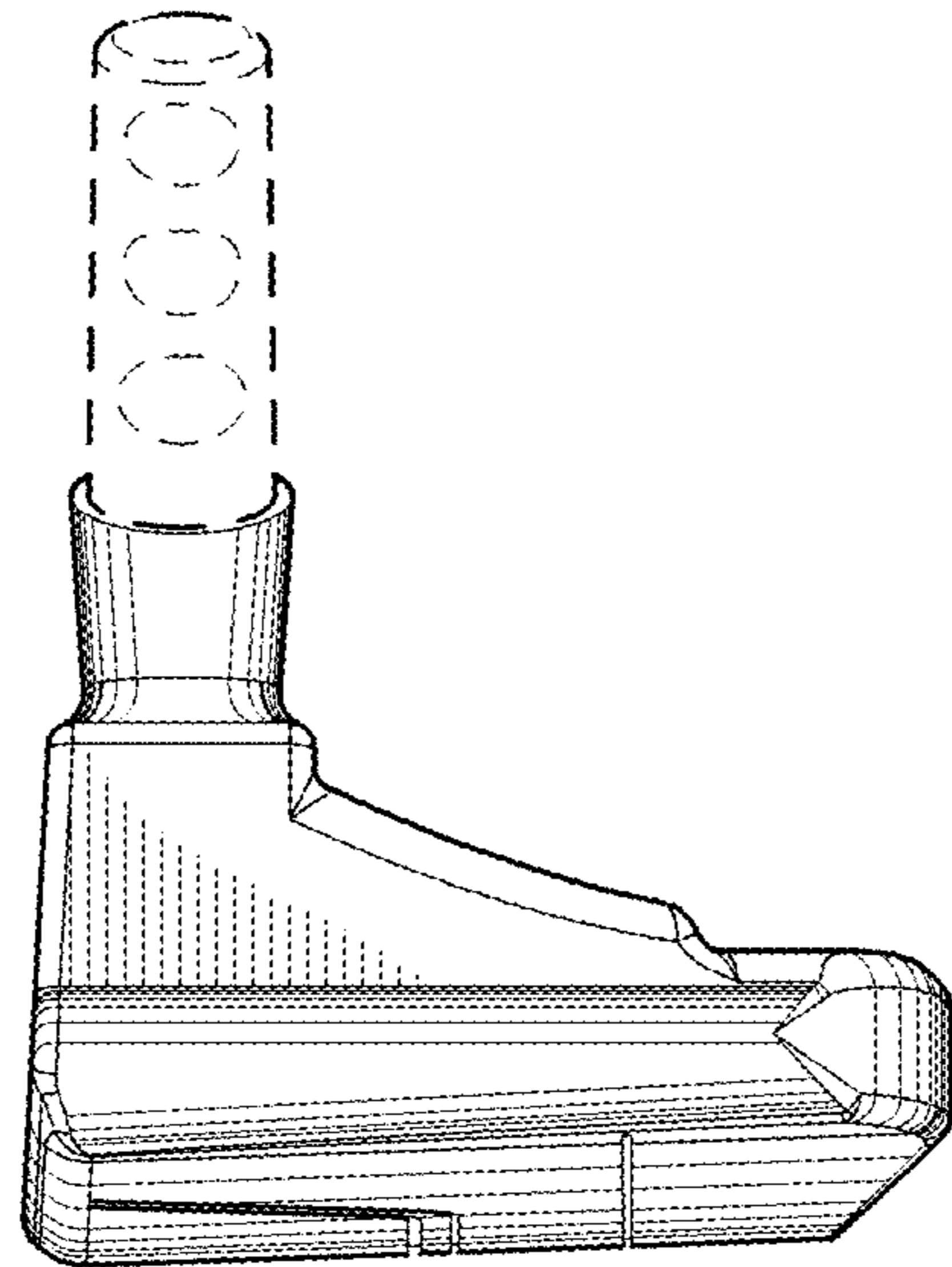
*Fig. 5*



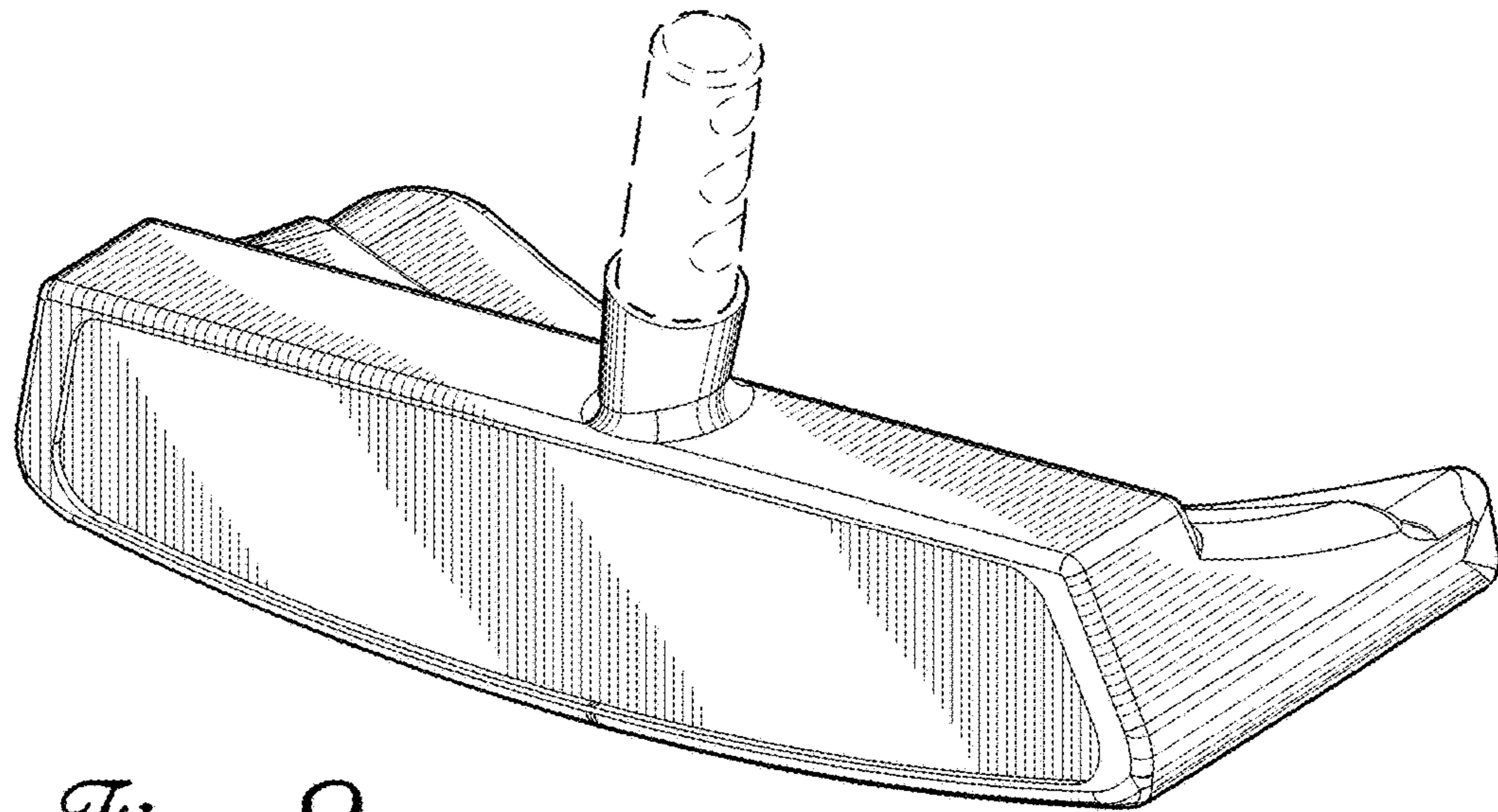
*Fig. 6*



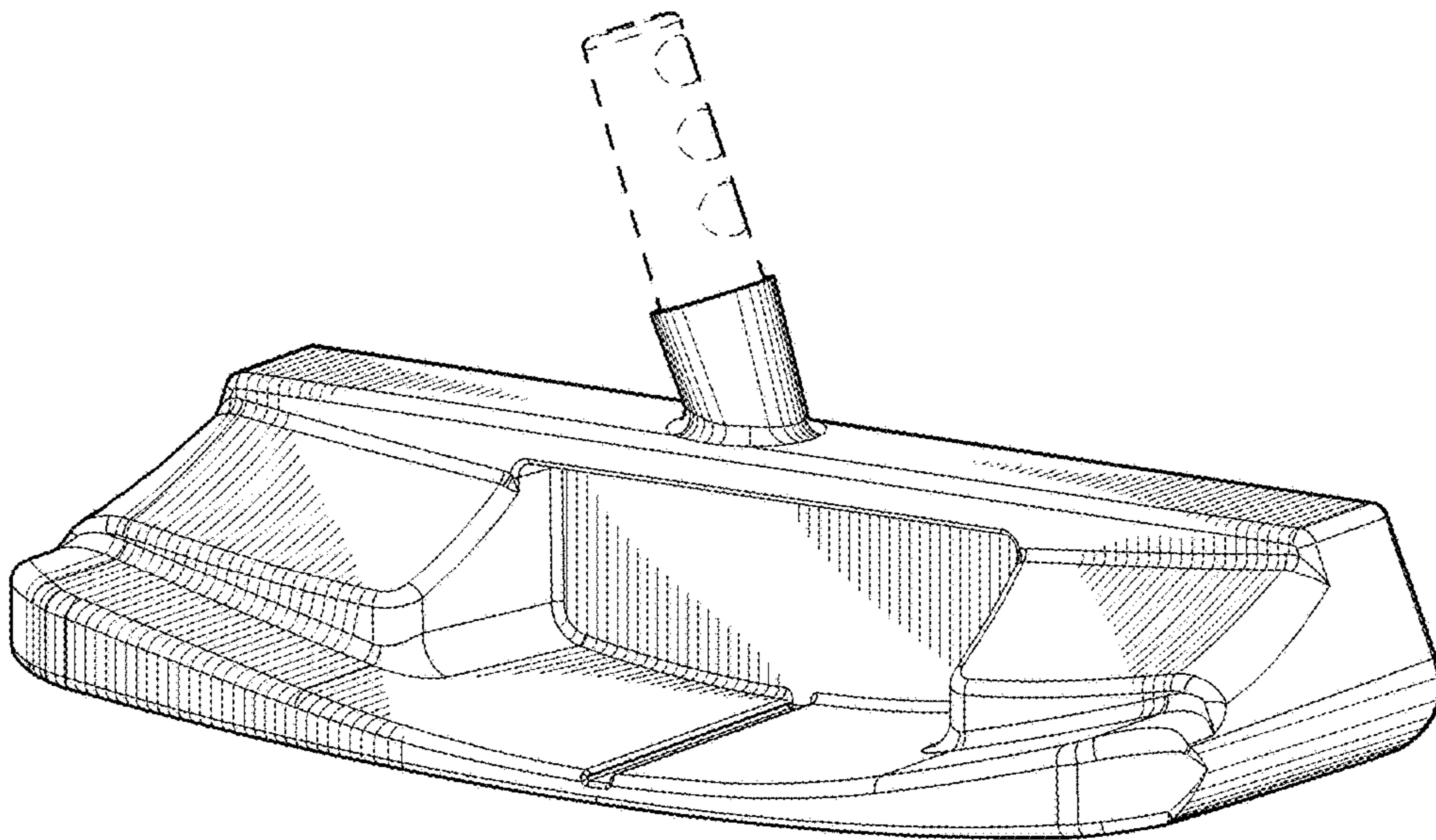
*Fig. 7*



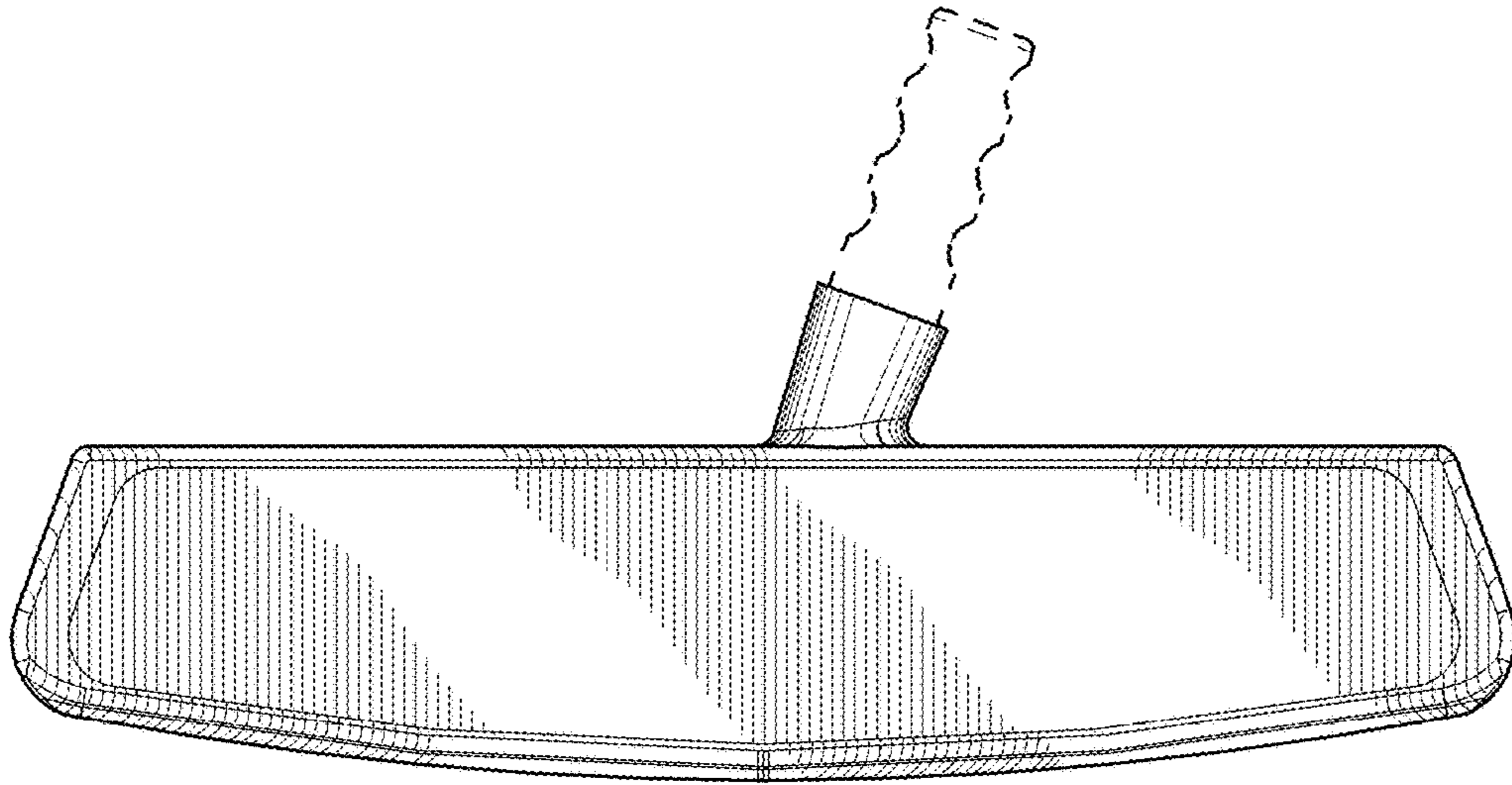
*Fig. 8*



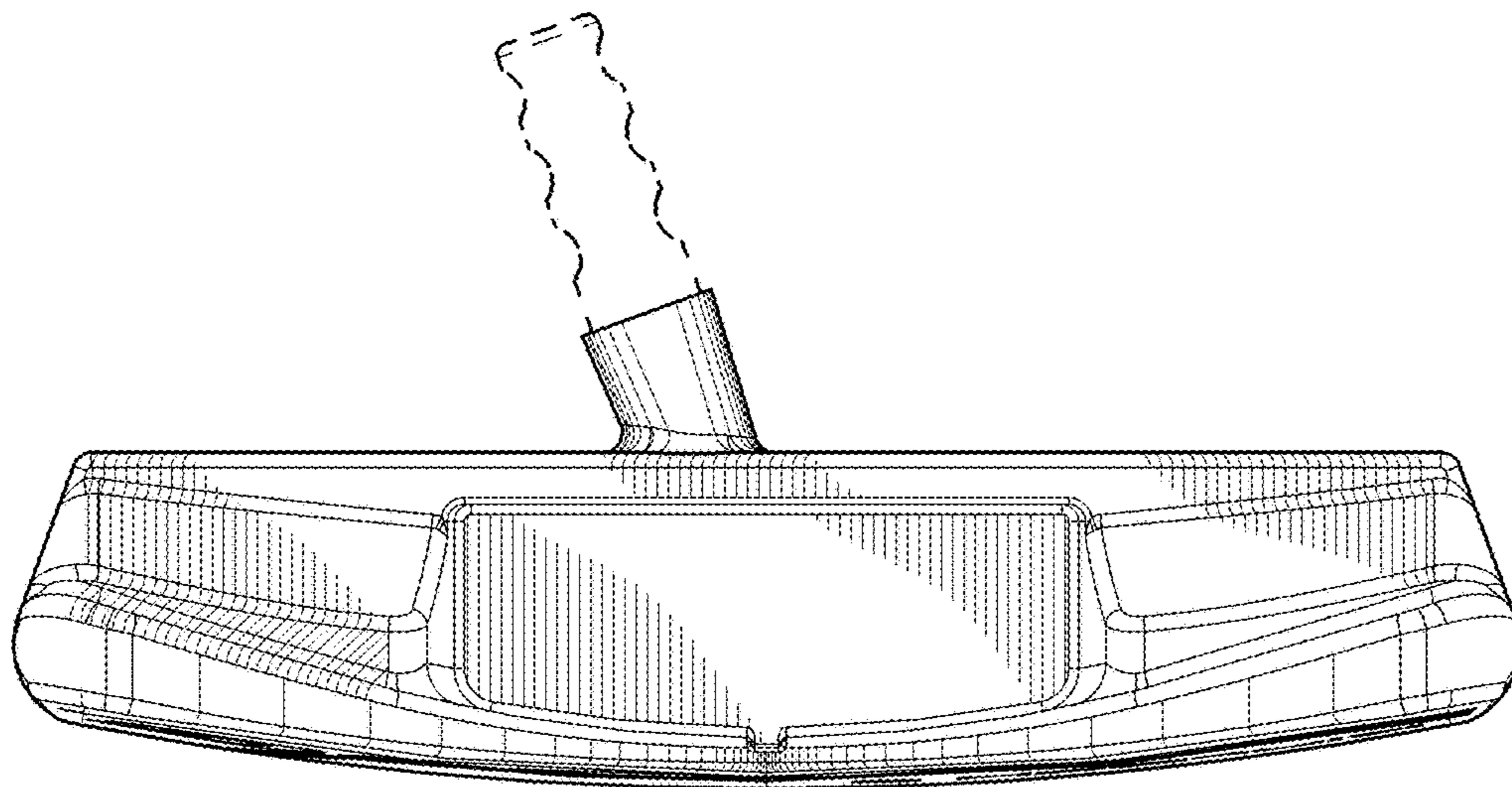
*Fig. 9*



*Fig. 10*

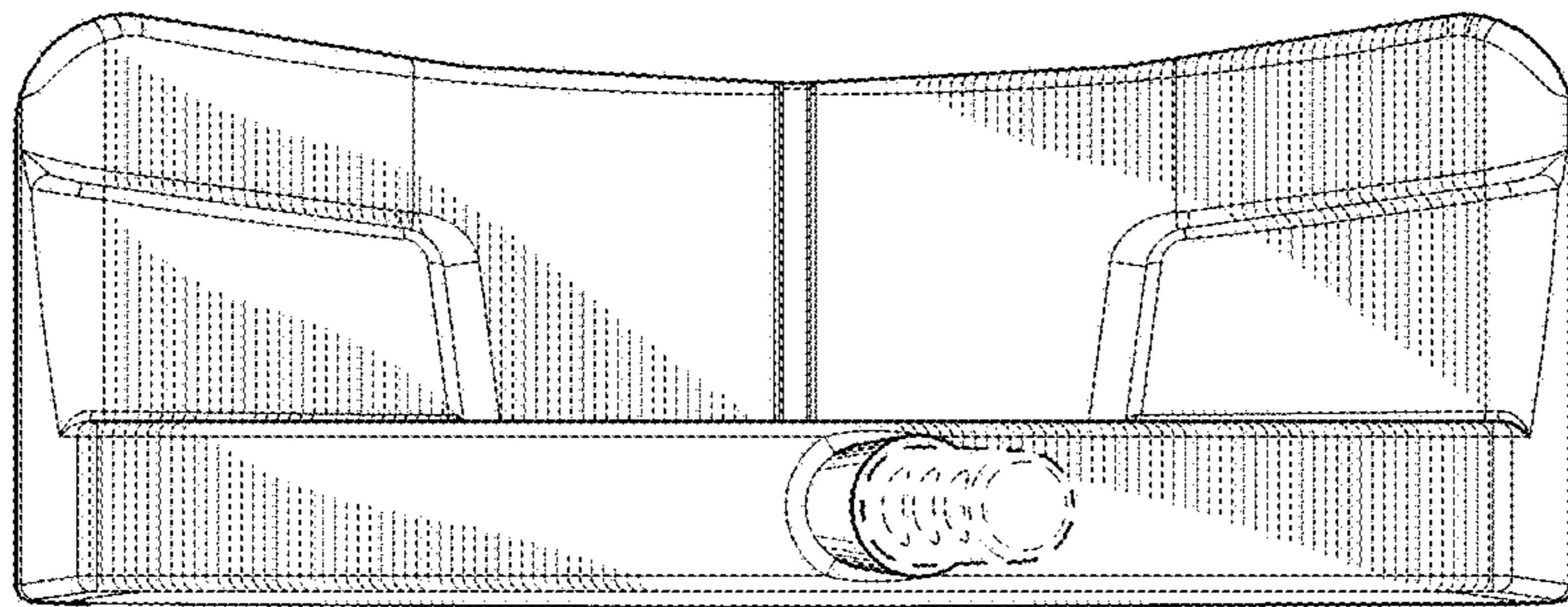


*Fig. 11*

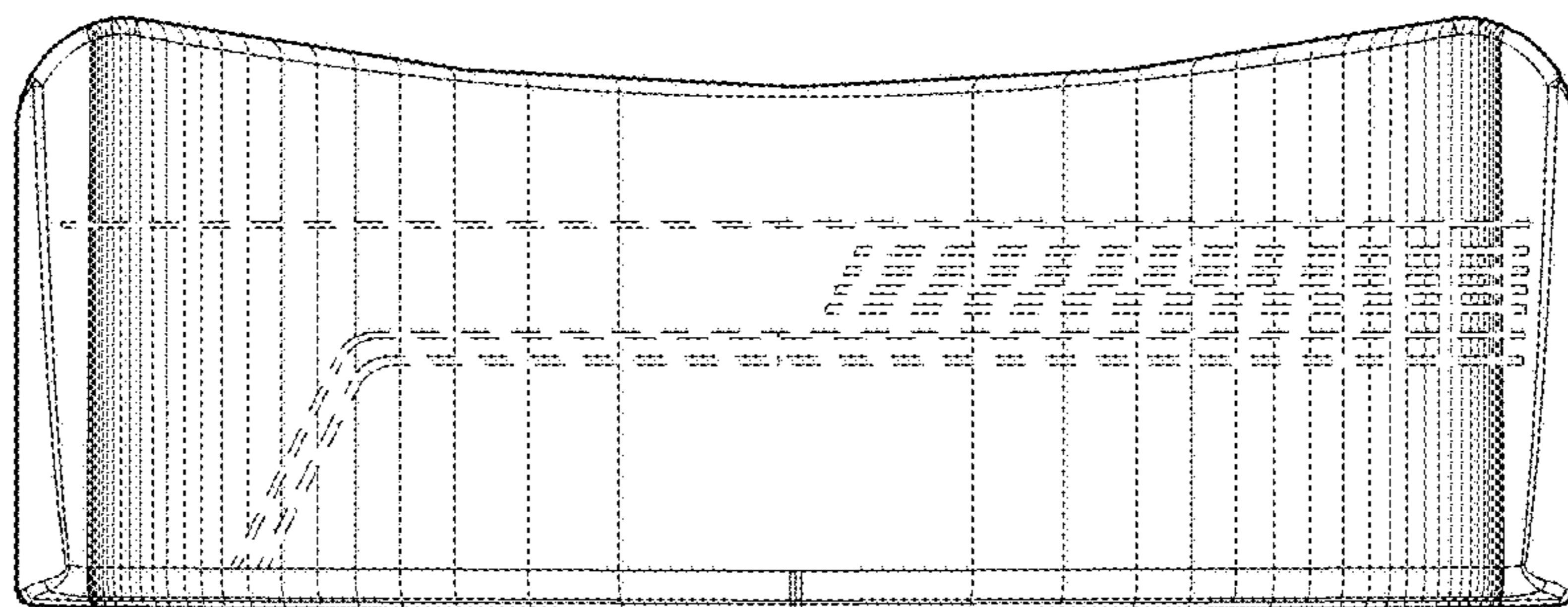


*Fig. 12*

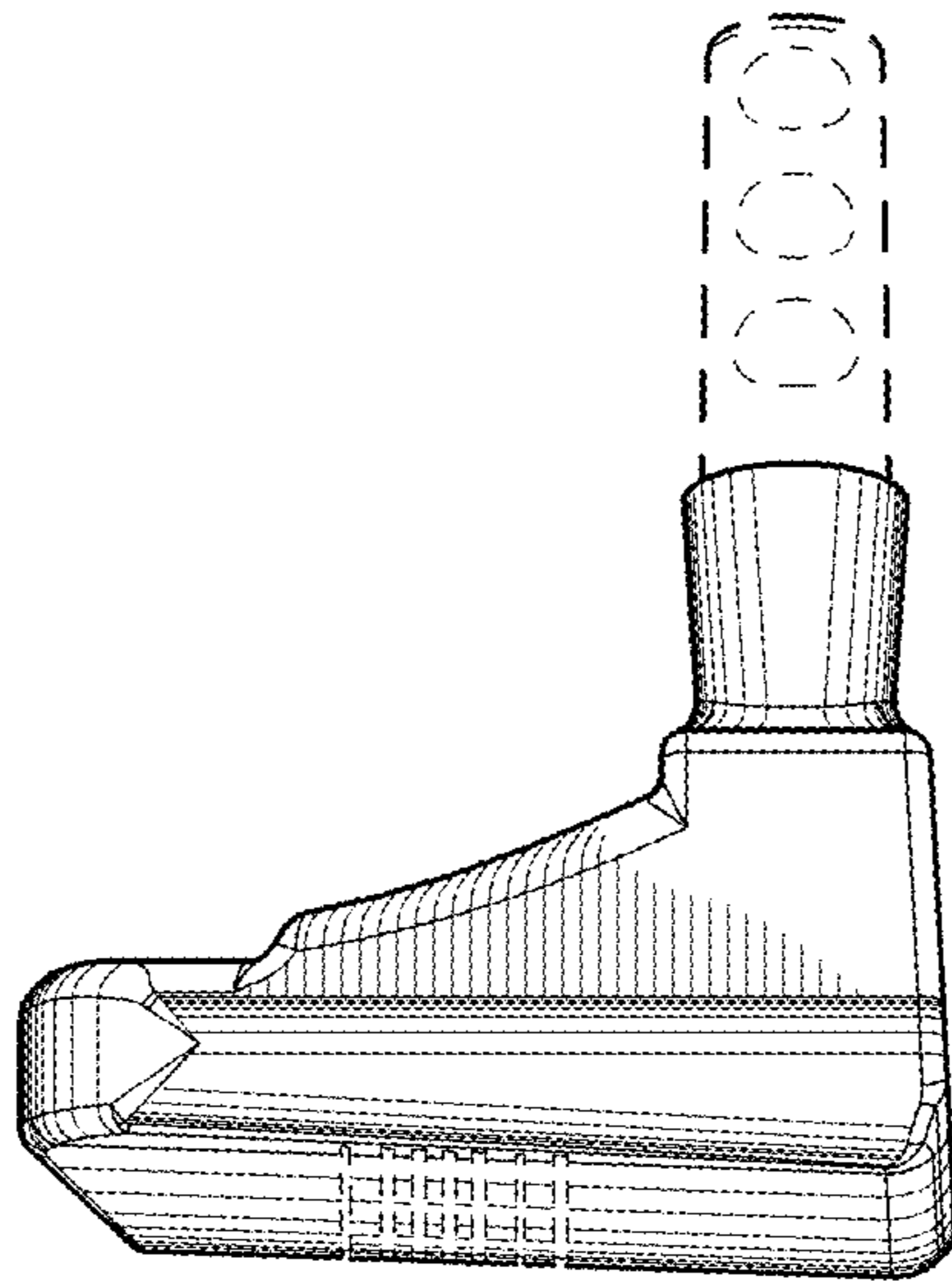




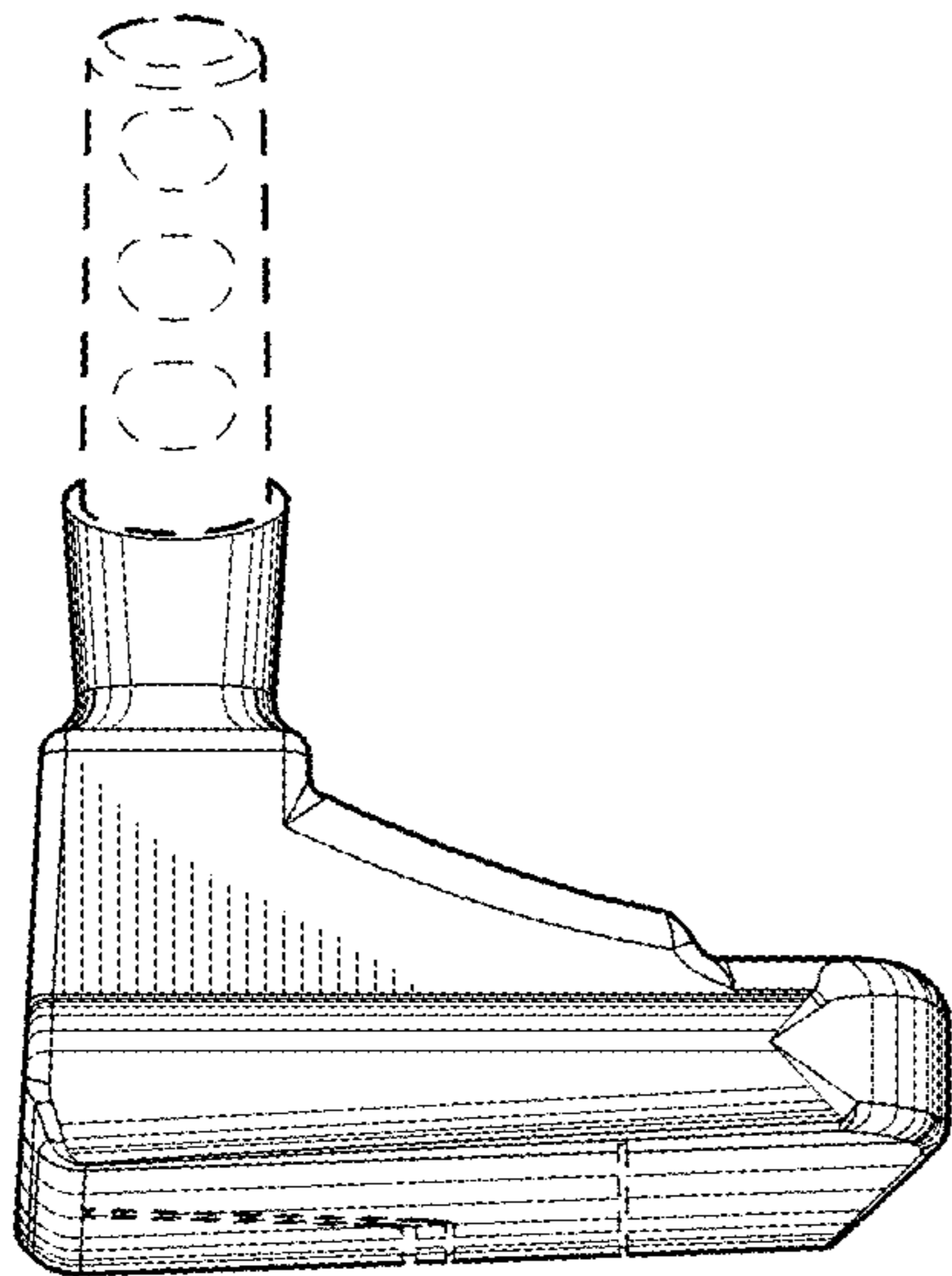
*Fig. 13*



*Fig. 14*



*Fig. 15*



*Fig. 16*