



US00D792928S

(12) **United States Design Patent**
Baltazar

(10) **Patent No.:** **US D792,928 S**

(45) **Date of Patent:** **** Jul. 25, 2017**

- (54) **PITCHING BACKSTOP**
- (71) Applicant: **David Baltazar**, Long Beach, CA (US)
- (72) Inventor: **David Baltazar**, Long Beach, CA (US)
- (**) Term: **15 Years**
- (21) Appl. No.: **29/550,683**
- (22) Filed: **Jan. 6, 2016**
- (51) **LOC (10) Cl.** **21-02**
- (52) **U.S. Cl.**
USPC **D21/705**
- (58) **Field of Classification Search**
USPC D21/301, 302, 303, 304, 305, 698, 699,
D21/704, 705, 706, 780, 788, 781, 790;
273/398-410
CPC A63B 63/00; A63B 63/004; A63B 63/007;
A63B 63/008; A63B 2063/001; A63B
2063/002; A63B 2063/005; A63B
2063/006; A63B 69/00; A63B 69/0002;
A63B 69/002; A63B 69/0024; A63B
69/0026; A63B 69/0097; A63B
2069/0004; A63B 2069/0006; A63B
2069/0008; A63B 2069/0011; A63B
71/022

See application file for complete search history.

(56) **References Cited**

U.S. PATENT DOCUMENTS

- 2,201,865 A * 5/1940 Kriekard A63B 69/0002
273/401
- 2,895,737 A * 7/1959 Bles A63B 63/00
473/197
- 4,210,326 A * 7/1980 Booth A63B 63/00
273/127 R
- 4,254,952 A * 3/1981 Playter, Jr. A63B 63/00
273/401
- 4,497,485 A * 2/1985 Macosko A63B 63/00
273/401

- 4,750,744 A * 6/1988 Michalec A63B 63/00
473/195
- D322,288 S * 12/1991 Coleman D21/780
- 5,333,856 A * 8/1994 Gery A63B 63/00
473/454
- D350,569 S * 9/1994 Boteler D21/698
- 7,393,291 B2 7/2008 Huang
- 7,931,547 B2 4/2011 Bishop
- D643,888 S 8/2011 Essex
- 8,540,593 B1 * 9/2013 Marnane A63B 63/004
473/454
- 2002/0073620 A1 * 6/2002 Lank A63B 63/00
49/70
- 2003/0228943 A1 * 12/2003 Powell A63B 69/0002
473/454
- 2004/0023735 A1 * 2/2004 Janton A63B 69/0097
473/434
- 2004/0063521 A1 * 4/2004 Oister A63B 24/0021
473/476
- 2007/0123369 A1 * 5/2007 Cherry A63B 69/40
473/451

(Continued)

Primary Examiner — Catherine Tuttle
(74) *Attorney, Agent, or Firm* — Stevenson IP, LLC

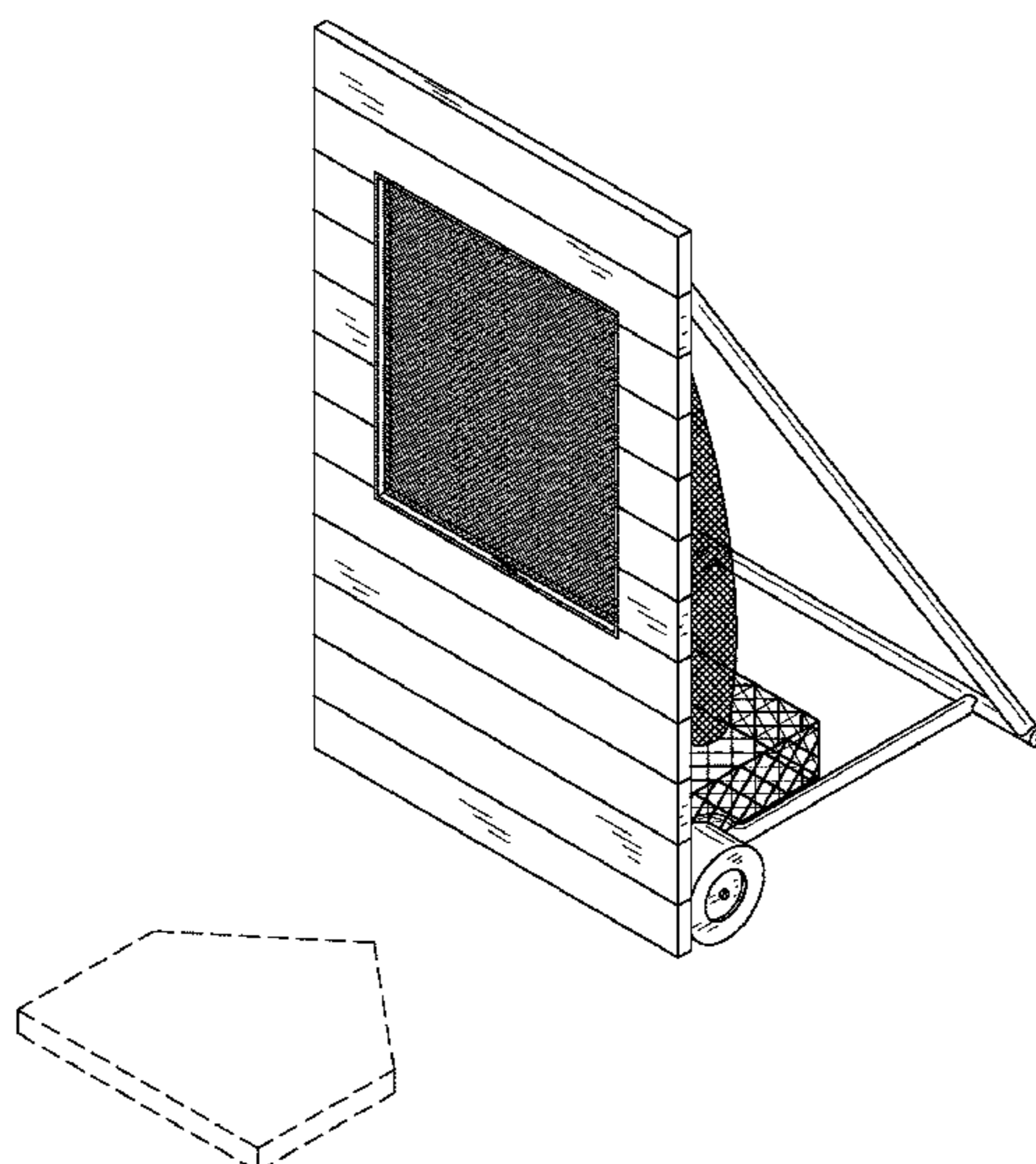
(57) **CLAIM**

The ornamental design for a pitching backstop, as shown and described.

DESCRIPTION

FIG. 1 is a front elevation view of a pitching backstop showing my new design;
 FIG. 2 is a rear elevation view thereof;
 FIG. 3 is a left side elevation view thereof, the opposite side being a mirror image of the shown;
 FIG. 4 is a top plan view thereof;
 FIG. 5 is a bottom plan view thereof; and,
 FIG. 6 is an isometric view thereof.
 The broken lines in FIG. 6 of the drawings depict environmental subject matter only and form no part of the claimed design.

1 Claim, 5 Drawing Sheets



(56)

References Cited

U.S. PATENT DOCUMENTS

2007/0235942 A1* 10/2007 Cho A63B 63/004
273/395
2009/0075764 A1* 3/2009 Zedick, Sr. A63B 63/00
473/456

* cited by examiner

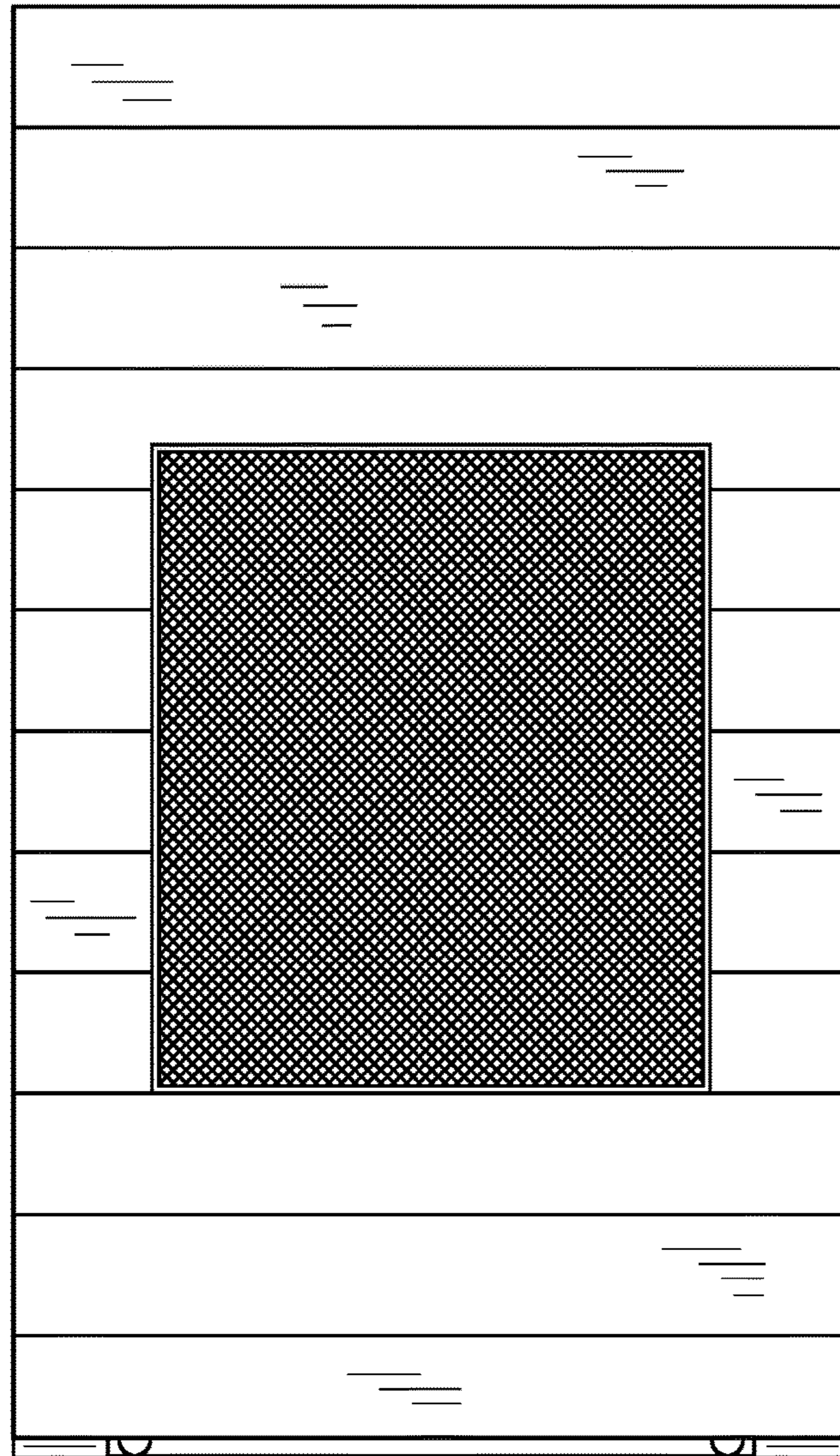


FIG. 1

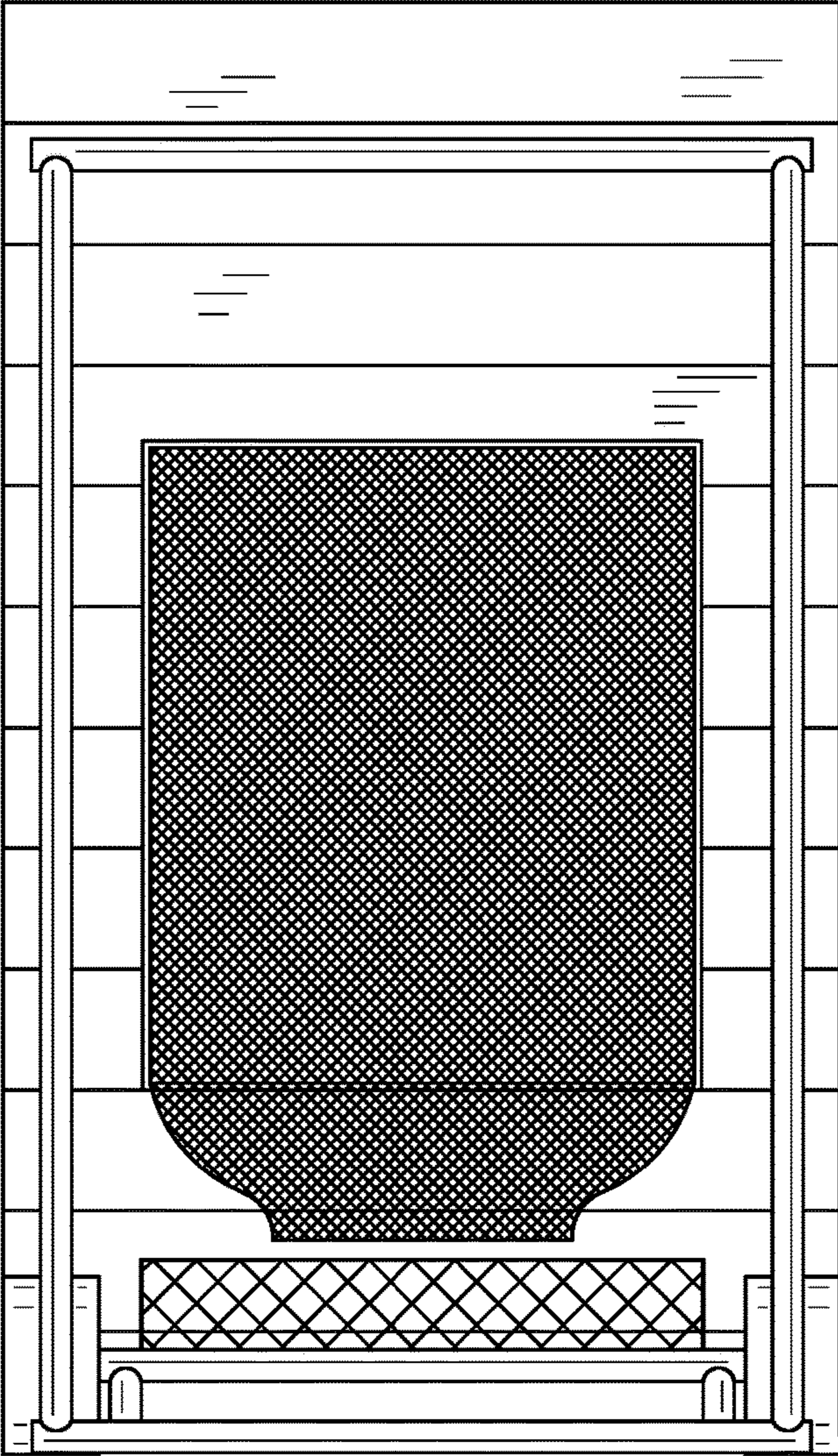


FIG. 2

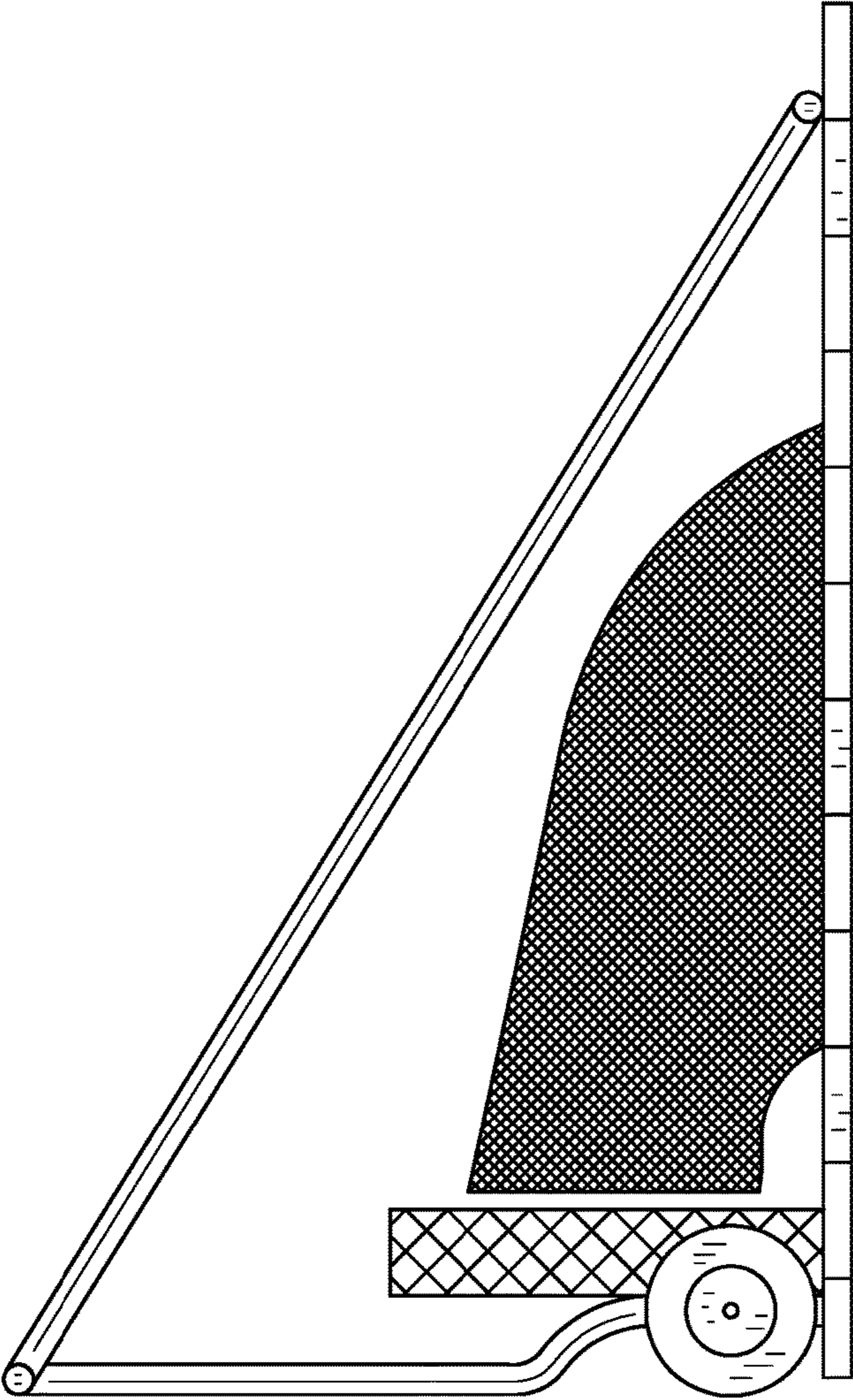


FIG. 3

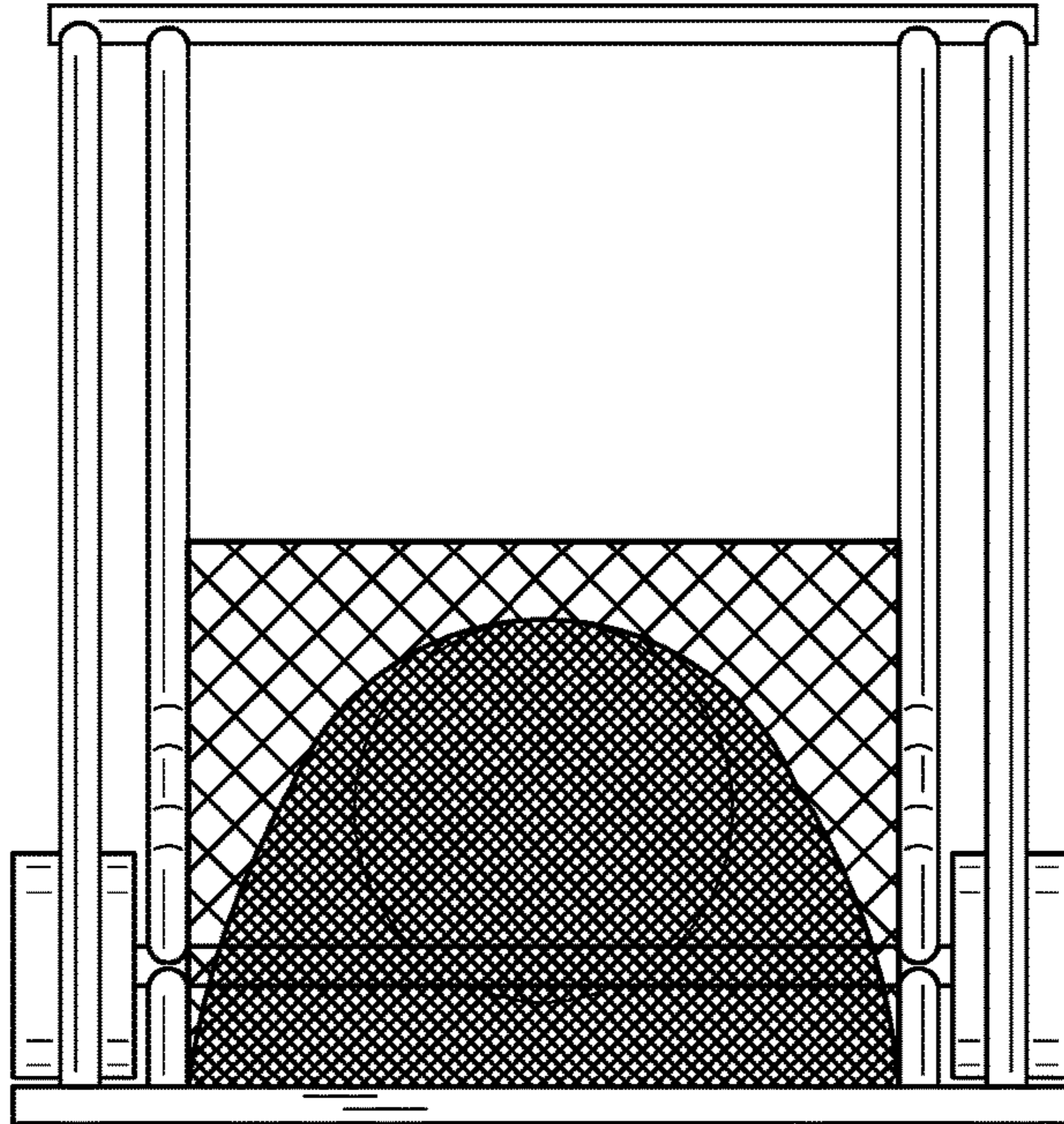


FIG. 4

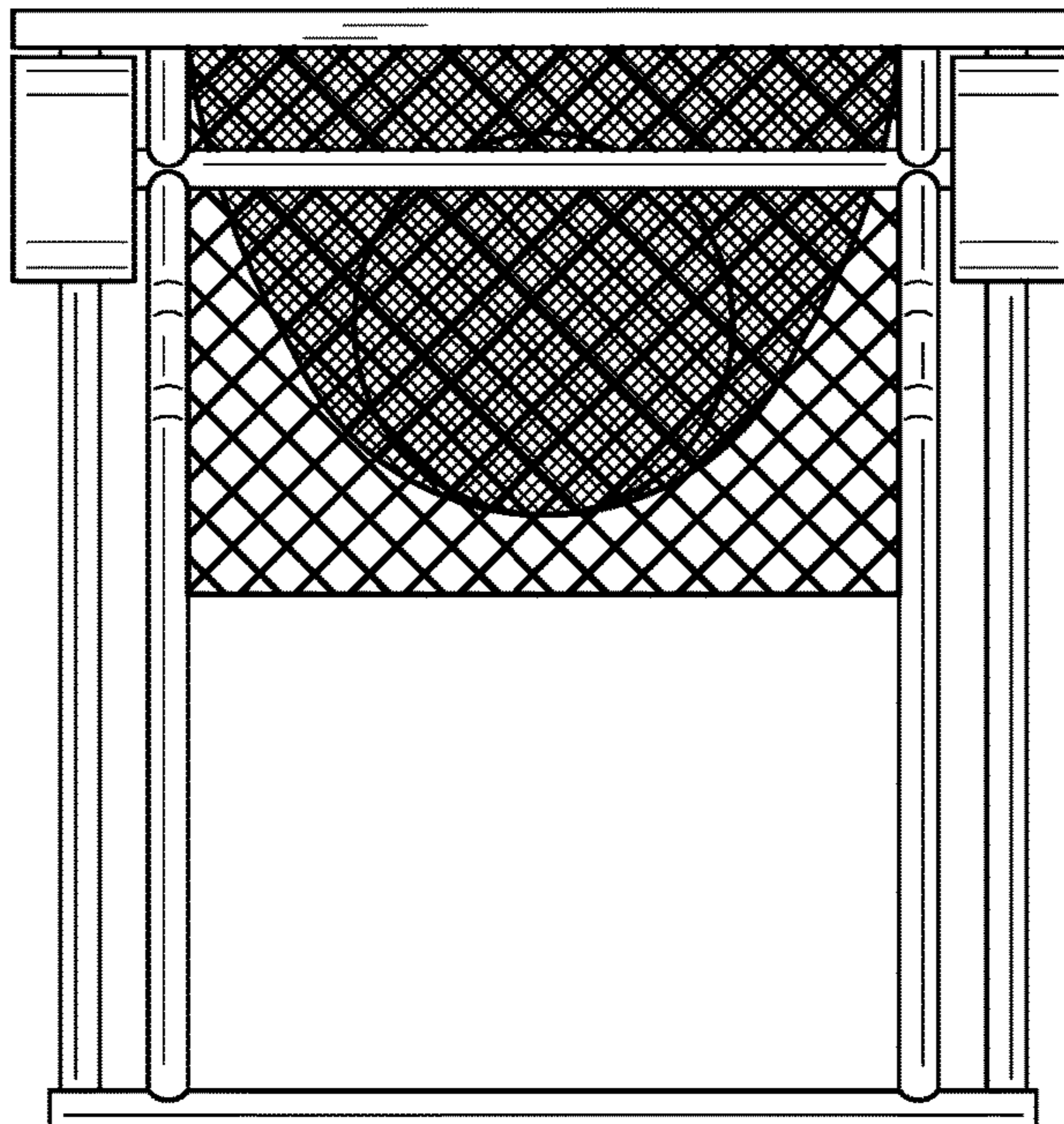


FIG. 5

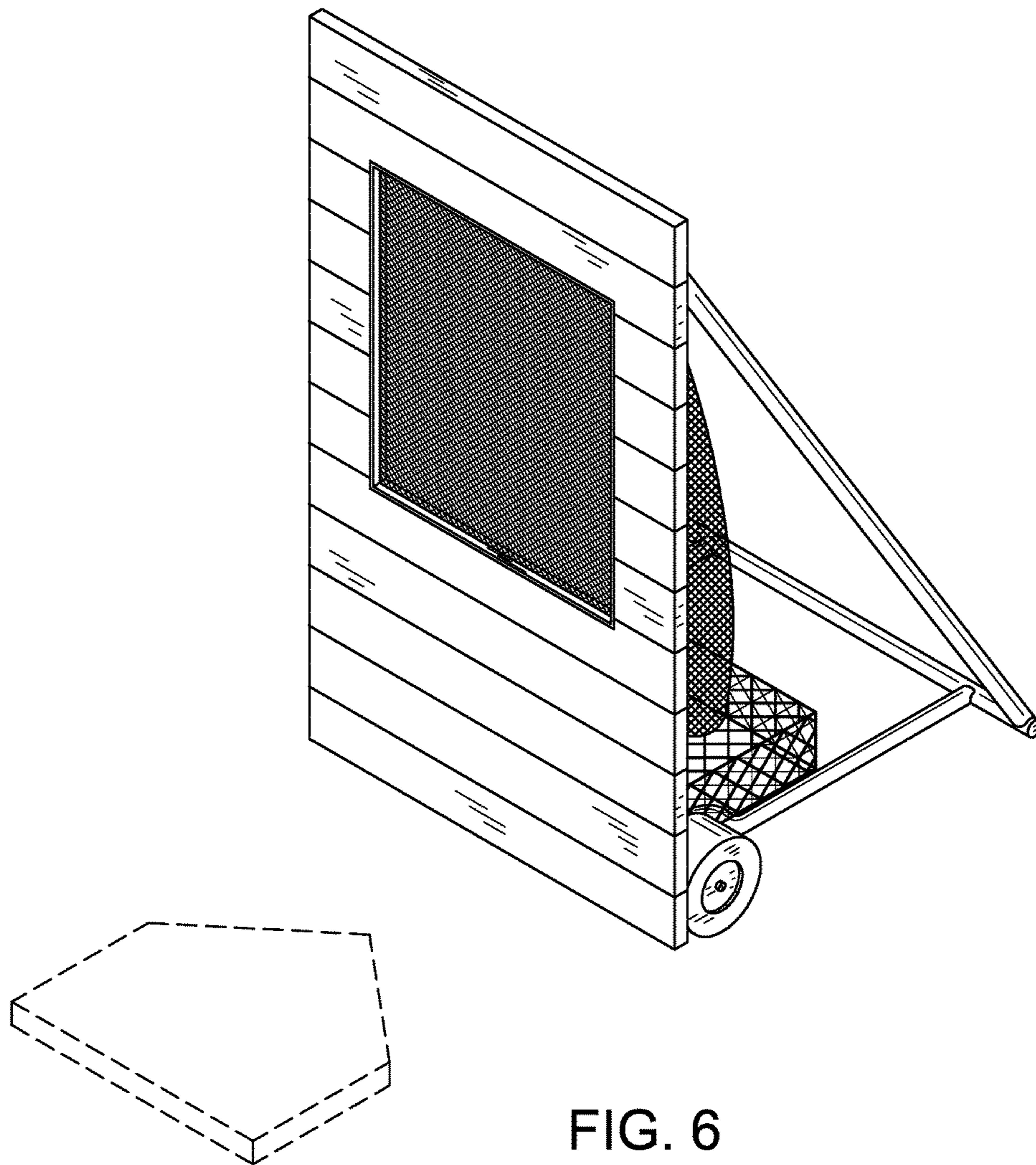


FIG. 6