



US00D792926S

(12) **United States Design Patent**
Hyma

(10) **Patent No.:** **US D792,926 S**
(45) **Date of Patent:** **** Jul. 25, 2017**

- (54) **CAP FOR A WRITING UTENSIL**
- (71) Applicant: **Milwaukee Electric Tool Corporation**,
Brookfield, WI (US)
- (72) Inventor: **Steven W. Hyma**, Milwaukee, WI (US)
- (73) Assignee: **MILWAUKEE ELECTRIC TOOL CORPORATION**, Brookfield, WI (US)
- (**) Term: **15 Years**
- (21) Appl. No.: **29/548,174**
- (22) Filed: **Dec. 10, 2015**
- (51) **LOC (10) Cl.** **19-06**
- (52) **U.S. Cl.**
USPC **D19/195**; D19/916
- (58) **Field of Classification Search**
USPC D14/411; D19/115–204
CPC ... B43K 5/00; B43K 7/00; B43K 7/12; B43K
8/04; B43K 8/06; B43K 19/00; B43K
19/02; B43K 19/14; B43K 24/08
See application file for complete search history.

(56) **References Cited**

U.S. PATENT DOCUMENTS

385,448 A	7/1888	Disney	
863,915 A	8/1907	Graves	
948,802 A	9/1910	Van Valkenburg	
986,890 A	3/1911	Archibald	
RE13,596 E	7/1913	Van Valkenburg	
1,223,360 A	4/1917	Bemers	
1,344,897 A	6/1920	Johnson	
1,834,151 A	12/1931	Gordon	
2,102,044 A	12/1937	Sypher	
D151,665 S *	11/1948	Teague et al.	D19/195
2,513,516 A	7/1950	Randle	
D223,688 S *	5/1972	Schnur	D19/167
4,285,101 A	8/1981	Hanna	
4,765,767 A	8/1988	Marynissen et al.	

D325,221 S *	4/1992	Ito	D19/195
D330,565 S *	10/1992	Dallaire	D19/166
D357,699 S *	4/1995	Takanashi	D19/168
5,440,080 A	8/1995	Nagaoka et al.	
5,747,748 A	5/1998	Zigler	
5,877,459 A	3/1999	Prater	
5,897,264 A	4/1999	Baudino	
5,913,629 A	6/1999	Hazzard	
5,914,708 A	6/1999	LaGrange et al.	
6,050,735 A	4/2000	Hazzard	
D442,226 S *	5/2001	Briggl	D19/175
D442,992 S *	5/2001	Chevalier	D19/168
6,227,743 B1	5/2001	Robb	
6,275,193 B1	8/2001	Nilsen et al.	
D450,347 S *	11/2001	Keda	D19/175
6,361,232 B1	3/2002	Nagaoka et al.	
6,384,814 B1	5/2002	Kobayashi et al.	
6,406,205 B1	6/2002	Hu	

(Continued)

Primary Examiner — Elizabeth Albert

(74) *Attorney, Agent, or Firm* — Michael Best & Friedrich LLP

(57) **CLAIM**

I claim the ornamental design for a cap for a writing utensil, as shown and described.

DESCRIPTION

FIG. 1 is a front perspective view of a cap for a writing utensil.

FIG. 2 is a front view of the cap shown in FIG. 1.

FIG. 3 is a rear view of the cap shown in FIG. 1.

FIG. 4 is a right side of the cap shown in FIG. 1.

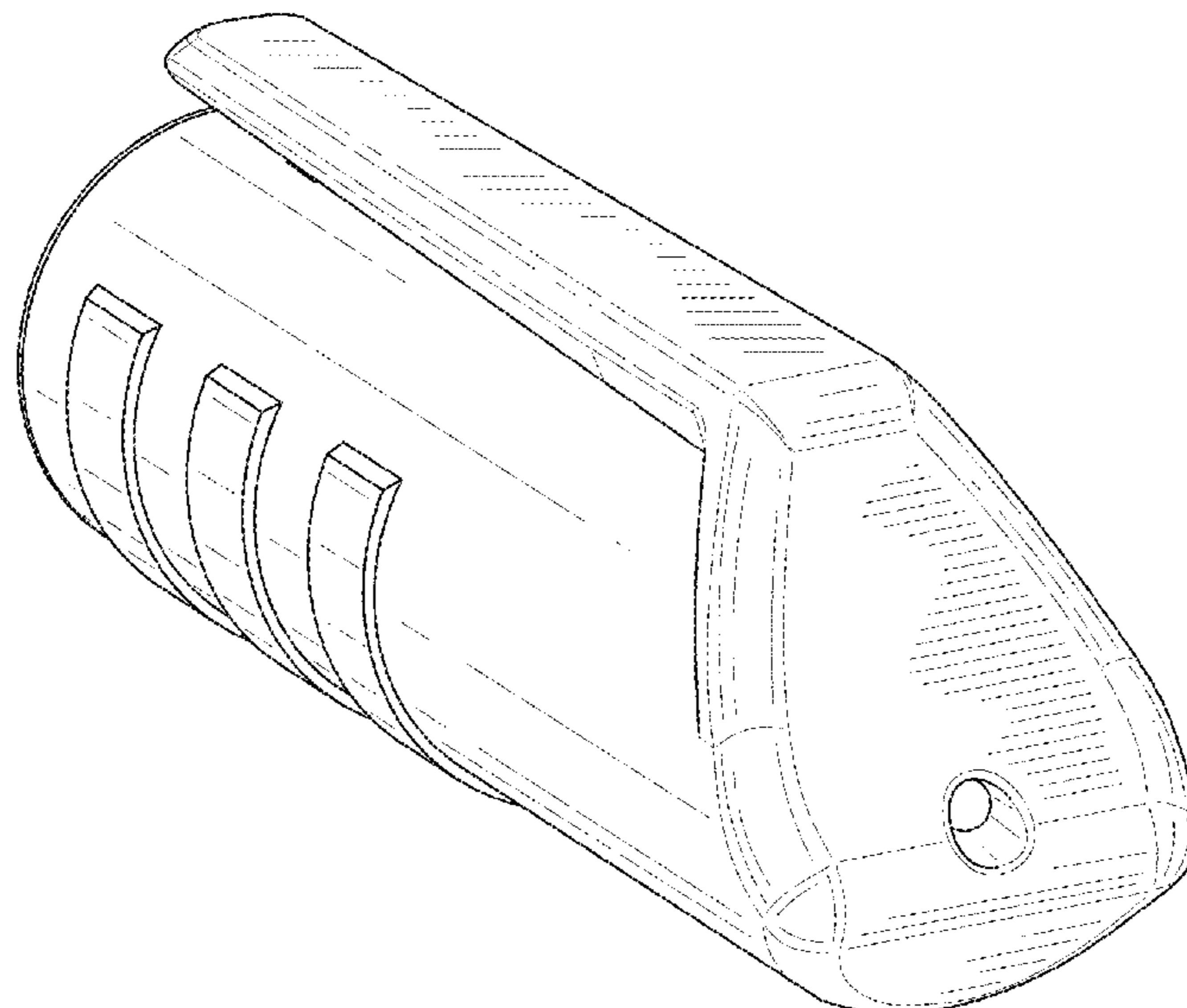
FIG. 5 is a left side view of the cap shown in FIG. 1.

FIG. 6 is a top view of the cap shown in FIG. 1; and,

FIG. 7 is a bottom view of the cap shown in FIG. 1.

The broken lines having unequal length segments in FIG. 3 illustrate the boundary between claimed and unclaimed portions of the design and form no part of the claimed design.

1 Claim, 6 Drawing Sheets



(56)

References Cited

U.S. PATENT DOCUMENTS

6,412,998 B1 7/2002 Ham
 6,450,721 B1 9/2002 D'Amico et al.
 6,633,282 B1 10/2003 Monroe
 6,659,673 B1 12/2003 Haffner et al.
 D487,776 S * 3/2004 Keda D19/195
 6,702,500 B1 3/2004 Haffner et al.
 6,707,451 B1 3/2004 Nagaoka
 6,738,050 B2 5/2004 Comiskey et al.
 6,749,354 B2 6/2004 Kageyama et al.
 D500,519 S * 1/2005 Keda D19/175
 6,999,067 B2 2/2006 Chao et al.
 7,008,131 B2 3/2006 Kagevarna et al.
 7,018,124 B1 3/2006 Kageyama et al.
 D523,083 S 6/2006 Furlong et al.
 7,172,359 B2 2/2007 Möck
 D540,381 S * 4/2007 Qiu D19/166
 D567,855 S * 4/2008 Rolion D19/175
 7,377,708 B2 5/2008 Hageman et al.
 D572,306 S * 7/2008 Qiu D19/117
 7,416,359 B2 8/2008 Fred
 7,448,817 B2 11/2008 Lin
 7,607,849 B2 10/2009 Barker
 D604,363 S 11/2009 Sunich et al.
 D607,512 S * 1/2010 Qiu D19/117
 7,683,895 B2 3/2010 Mika

D641,782 S * 7/2011 Lira-Nunez D19/164
 D641,785 S * 7/2011 Lira-Nunez D19/168
 D650,857 S * 12/2011 Lira-Nunez D19/168
 D650,859 S * 12/2011 Lira-Nunez D19/194
 8,125,469 B2 2/2012 Badaye et al.
 D659,191 S * 5/2012 Lira-Nunez D19/194
 D673,216 S * 12/2012 Yuan D19/167
 D679,325 S * 4/2013 Liang D19/167
 2003/0132923 A1 7/2003 Hu
 2006/0165470 A1 7/2006 Gerules
 2006/0222449 A1 10/2006 Cetera
 2006/0239761 A1 10/2006 Cetera
 2008/0030486 A1 2/2008 Cook
 2008/0106521 A1 5/2008 Nave
 2008/0252621 A1 10/2008 Shipton
 2008/0266267 A1 10/2008 Chang
 2009/0078478 A1 3/2009 Newman
 2009/0273588 A1 11/2009 King et al.
 2010/0214251 A1 8/2010 Wu
 2010/0225614 A1 9/2010 Sung
 2012/0039662 A1 2/2012 Zhang et al.
 2012/0044214 A1 2/2012 Mori
 2012/0086664 A1 4/2012 Leto
 2012/0139879 A1 6/2012 Kim et al.
 2012/0146957 A1 6/2012 Dunagan
 2012/0146960 A1 6/2012 Shih et al.
 2012/0194484 A1 8/2012 Lehman
 2013/0330115 A1 12/2013 Steele et al.

* cited by examiner

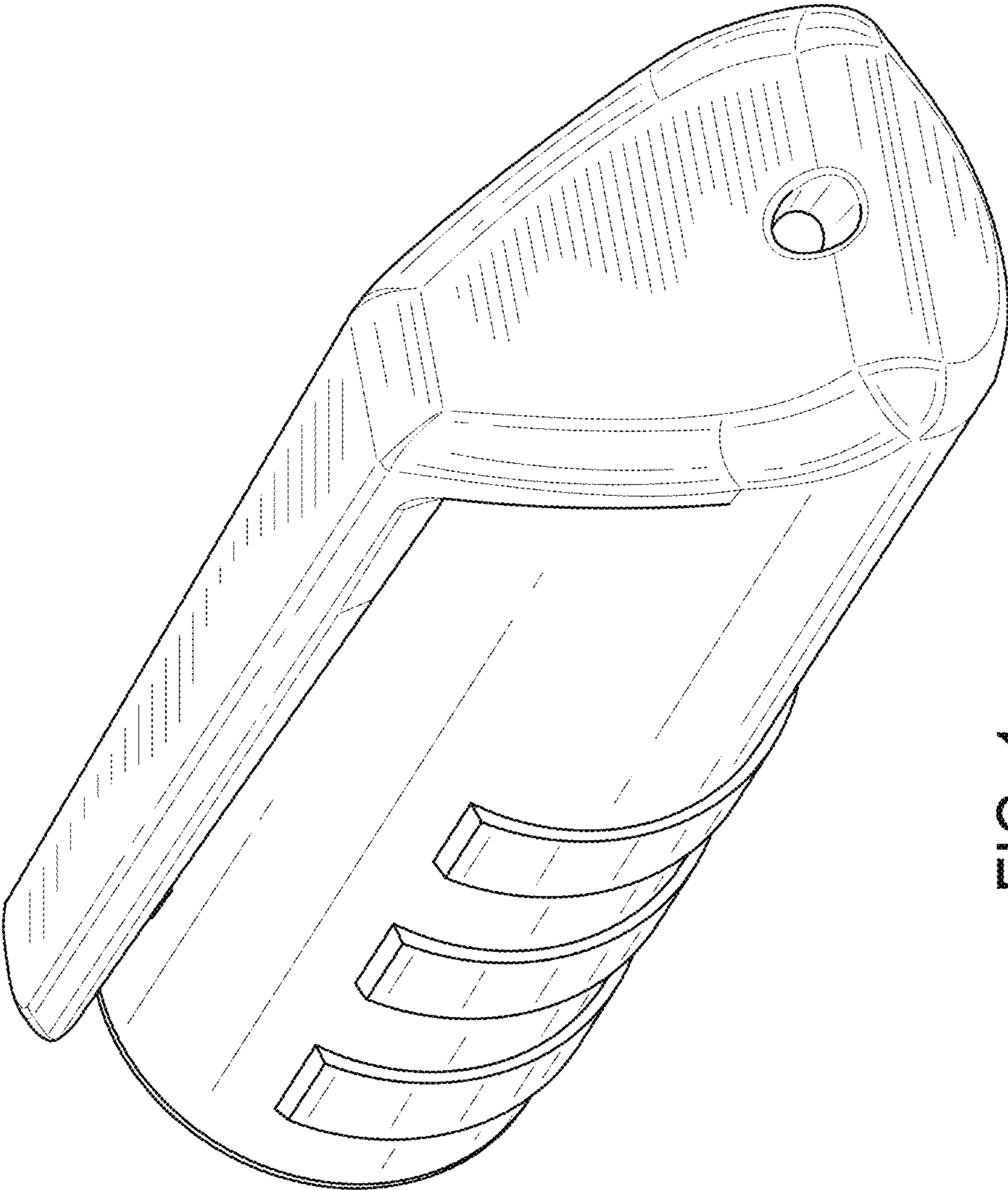


FIG. 1

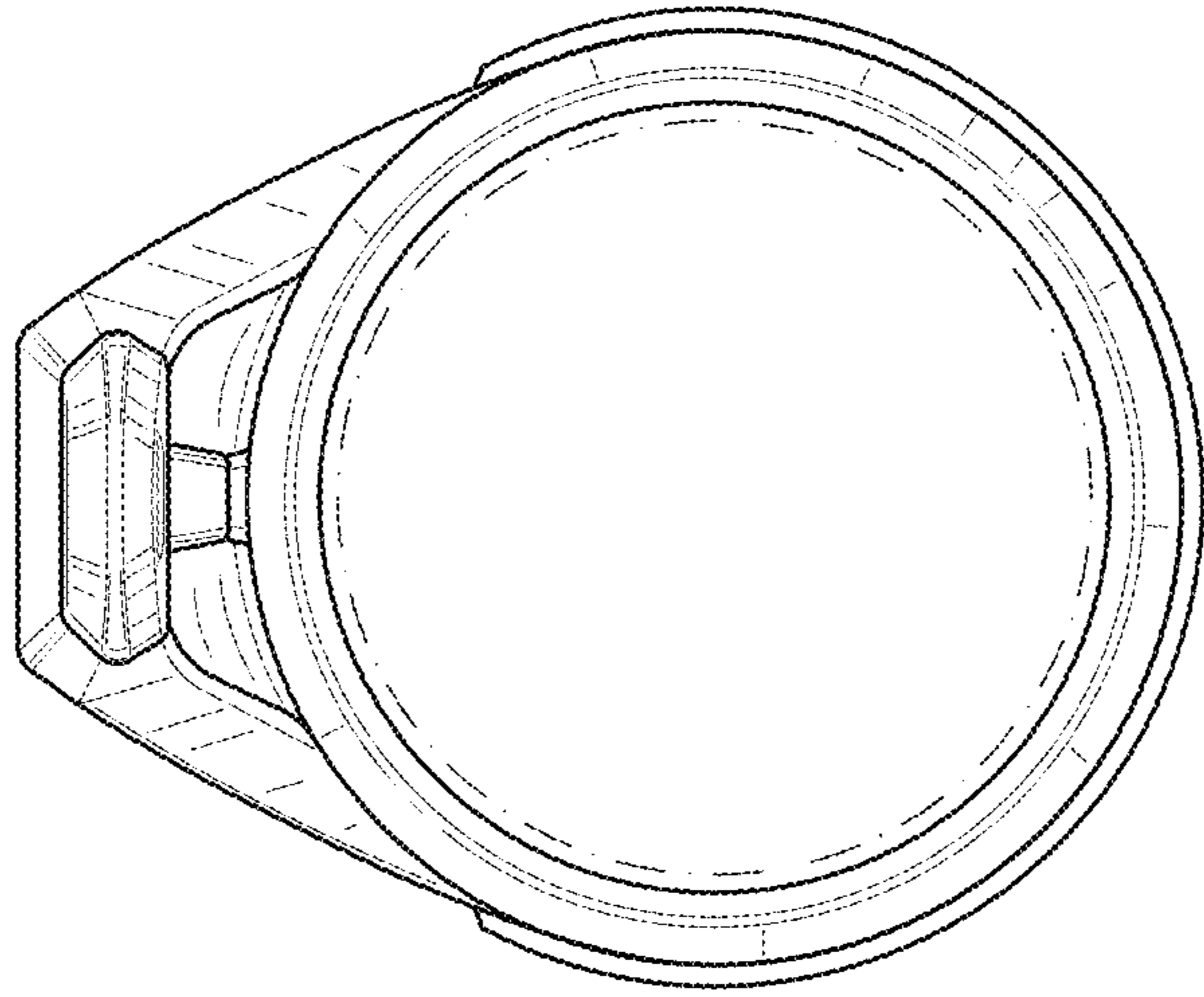


FIG. 3

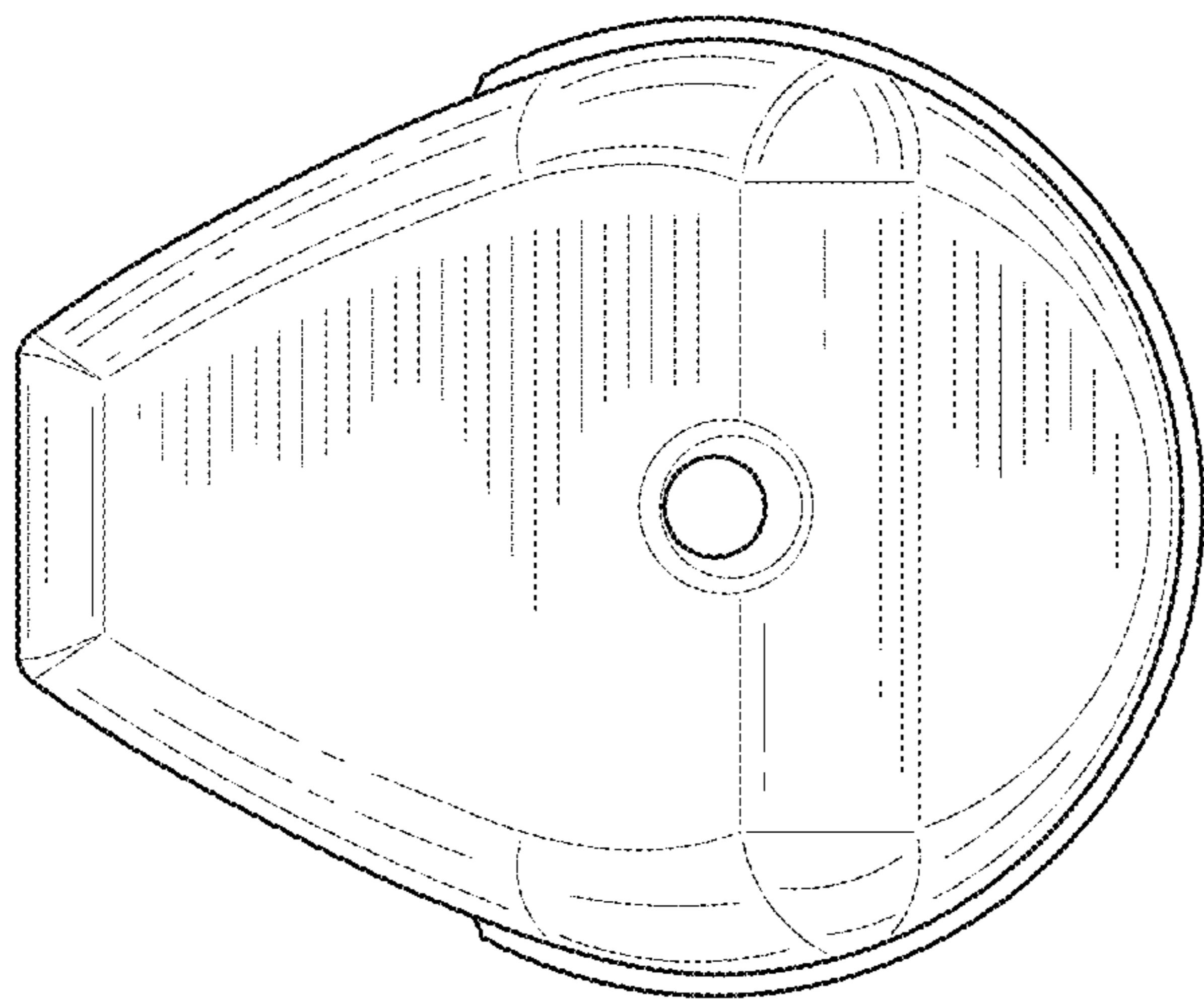


FIG. 2

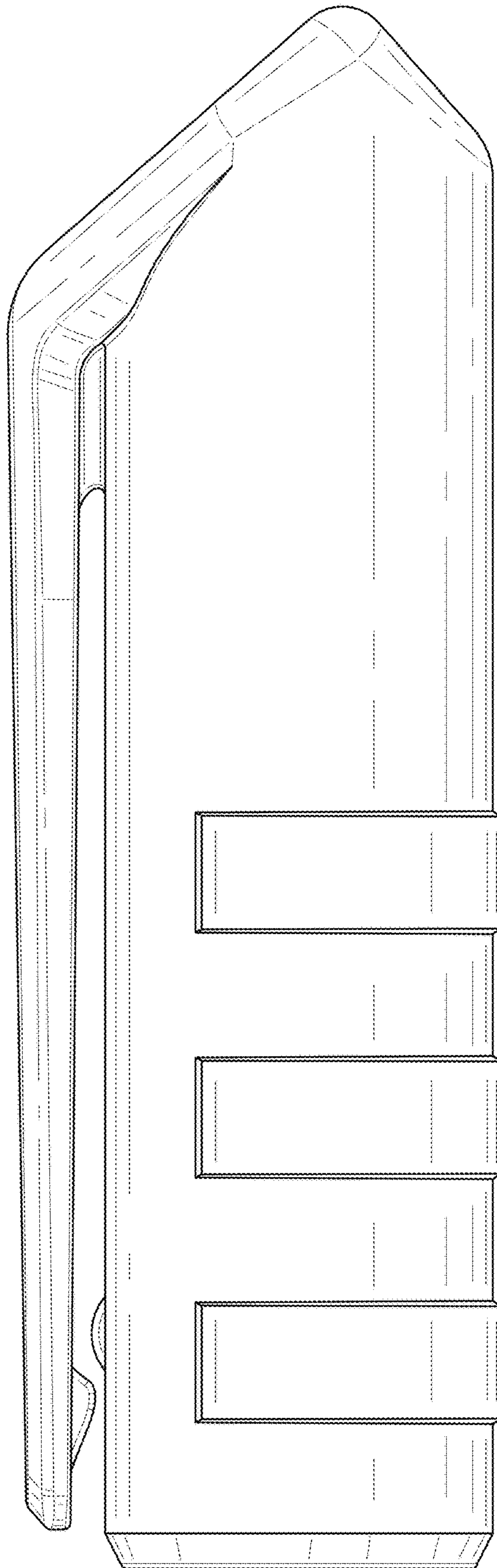


FIG. 4

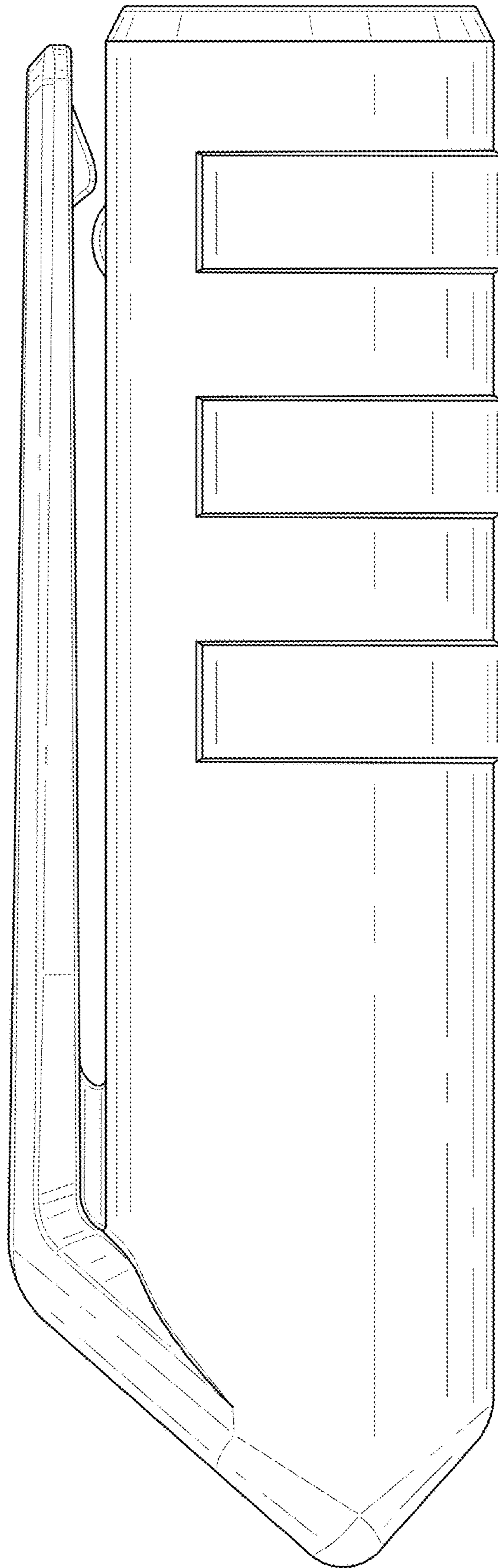


FIG. 5

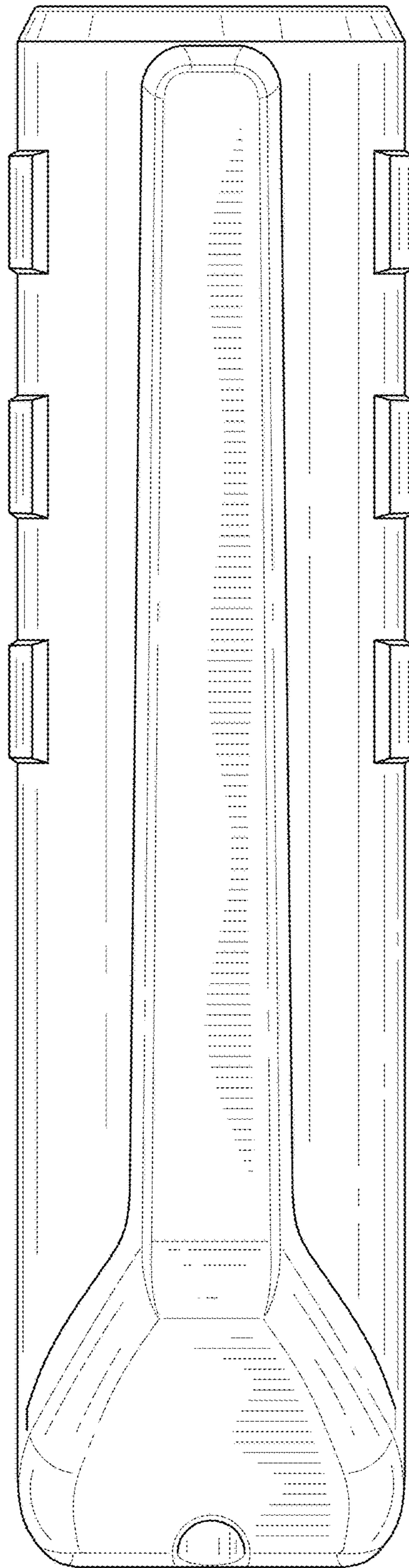


FIG. 6

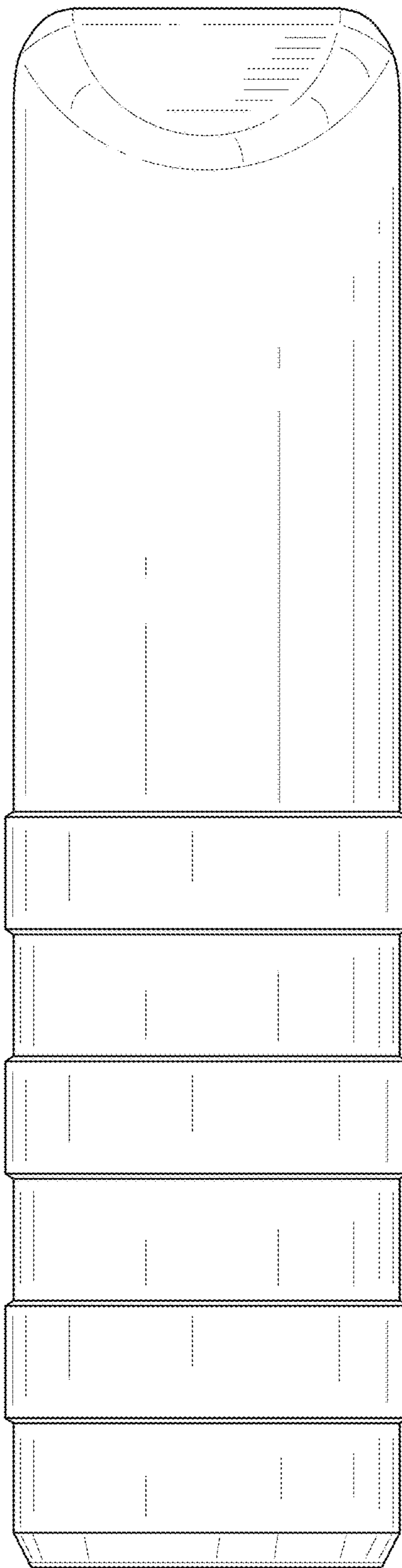


FIG. 7