



US00D792924S

(12) **United States Design Patent**  
**Dwyer et al.**

(10) **Patent No.:** **US D792,924 S**  
(45) **Date of Patent:** **\*\* Jul. 25, 2017**

- (54) **IMAGING DEVICE**
- (71) Applicant: **HEWLETT-PACKARD DEVELOPMENT COMPANY, L.P.**, Houston, TX (US)
- (72) Inventors: **Dan R. Dwyer**, Vancouver, WA (US); **Mark M. Proia**, Vancouver, WA (US); **Matthew Douglas Reier**, Vancouver, WA (US); **Peter G. Hwang**, Vancouver, WA (US); **Stephen G. Brown**, Houston, TX (US); **Carl Nicklos**, Vancouver, WA (US)
- (73) Assignee: **Hewlett-Packard Development Company, L.P.**, Houston, TX (US)
- (\*\*) Term: **15 Years**
- (21) Appl. No.: **29/544,109**
- (22) Filed: **Oct. 30, 2015**
- (51) **LOC (10) Cl.** ..... **18-02**
- (52) **U.S. Cl.**  
USPC ..... **D18/56**
- (58) **Field of Classification Search**  
USPC ..... D18/36, 38, 40, 46, 49, 53, 55, 56  
CPC .... B41J 15/044; B41J 2/1752; B41J 2/17553; B41J 23/00  
See application file for complete search history.

(56) **References Cited**

**U.S. PATENT DOCUMENTS**

- D460,477 S \* 7/2002 Leong ..... D18/49
- D536,372 S \* 2/2007 Lim ..... D14/463
- D555,195 S \* 11/2007 Park ..... D18/55
- D558,824 S \* 1/2008 Alfonso ..... D18/55
- D607,505 S \* 1/2010 Sasaki ..... D14/421
- D611,091 S \* 3/2010 Ishikawa ..... D18/55
- D641,778 S \* 7/2011 Lee ..... D14/421
- D674,435 S \* 1/2013 Inoue ..... D18/55

- D718,383 S \* 11/2014 Lo ..... D18/55
- D726,249 S \* 4/2015 Kim ..... D18/53
- D727,417 S \* 4/2015 Huang ..... D18/55
- D738,956 S \* 9/2015 Larson ..... D18/49
- D752,134 S \* 3/2016 Uchikawa ..... D18/36
- D765,080 S \* 8/2016 Su ..... D14/421
- D766,245 S \* 9/2016 Kim ..... D14/421
- D767,676 S \* 9/2016 So ..... D18/56
- D767,677 S \* 9/2016 Kim ..... D18/56
- 2013/0169720 A1 \* 7/2013 Nakamura ..... B41J 2/175 347/86

(Continued)

*Primary Examiner* — Manpreet Matharu  
*Assistant Examiner* — Suzanne Tisdell

(74) *Attorney, Agent, or Firm* — Morgan, Lewis & Bockius LLP

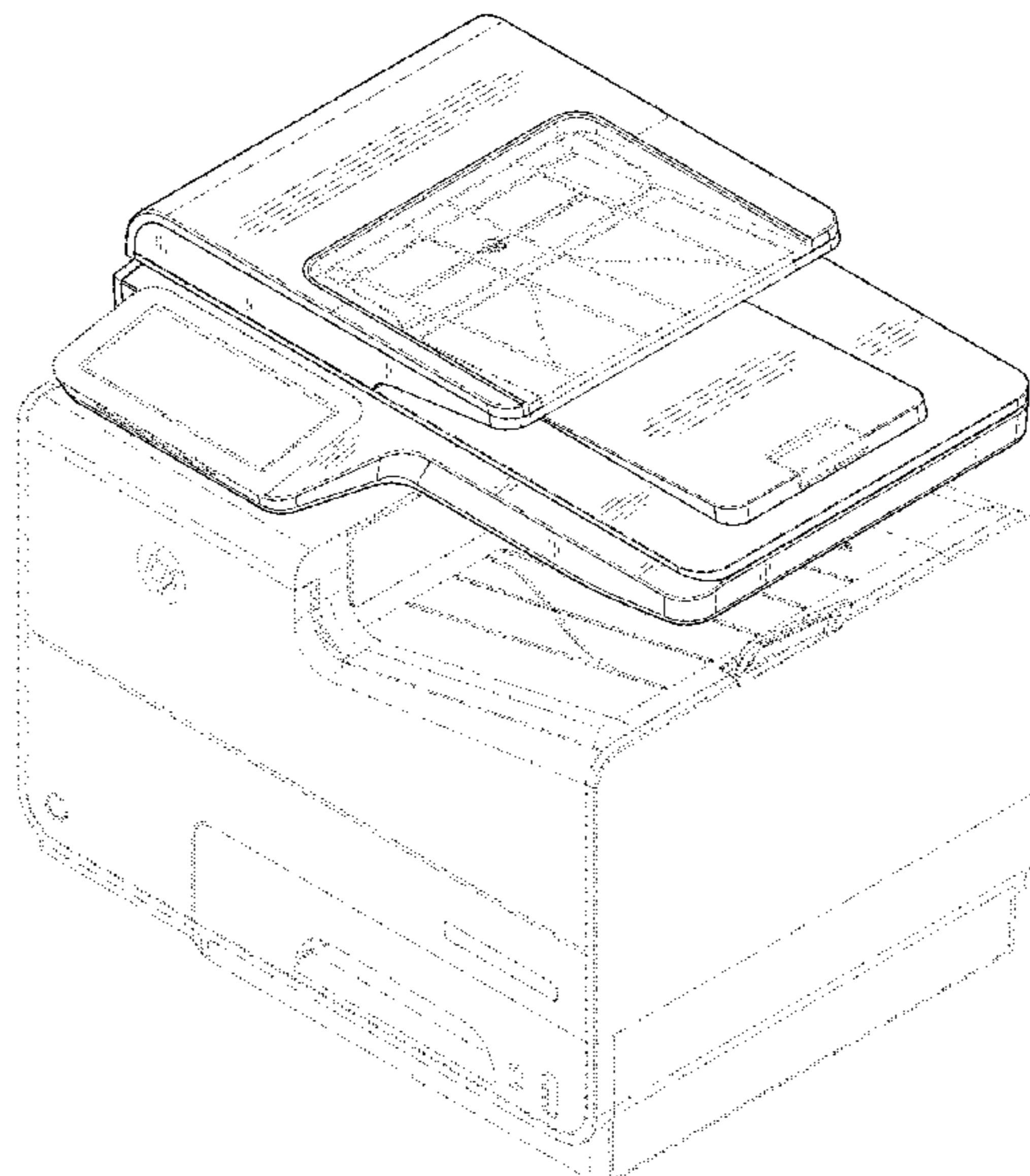
(57) **CLAIM**

The ornamental design for an imaging device, as shown and described.

**DESCRIPTION**

FIG. 1 is a top, front, left perspective view of an imaging device in accordance with our new design;  
 FIG. 2 is a front elevational view of the imaging device shown in FIG. 1;  
 FIG. 3 is a rear elevational view of the imaging device shown in FIG. 1;  
 FIG. 4 is a left-side elevational view of the imaging device shown in FIG. 1;  
 FIG. 5 is a right-side elevational view of the imaging device shown in FIG. 1;  
 FIG. 6 is a top plan view of the imaging device in FIG. 1; and,  
 FIG. 7 is a bottom plan view of the imaging device shown in FIG. 1.  
 The broken lines shown in the drawings represent portions of the imaging device that form no part of the claimed design.

**1 Claim, 7 Drawing Sheets**



(56)

**References Cited**

U.S. PATENT DOCUMENTS

2013/0208051 A1\* 8/2013 Koizumi ..... B41J 2/17526  
347/50  
2014/0043408 A1\* 2/2014 Kudo ..... B41J 2/175  
347/86  
2015/0258798 A1\* 9/2015 Miyamoto ..... B41J 2/175  
347/85  
2015/0360475 A1\* 12/2015 Tsukahara ..... B41J 2/17523  
347/86  
2016/0031223 A1\* 2/2016 Saka ..... B41J 2/17513  
347/85  
2016/0067979 A1\* 3/2016 Okuno ..... B41J 2/17526  
347/86  
2016/0142574 A1\* 5/2016 Ohhashi ..... H04N 1/00901  
347/5  
2016/0255211 A1\* 9/2016 Kawabata ..... H04N 1/0032

\* cited by examiner

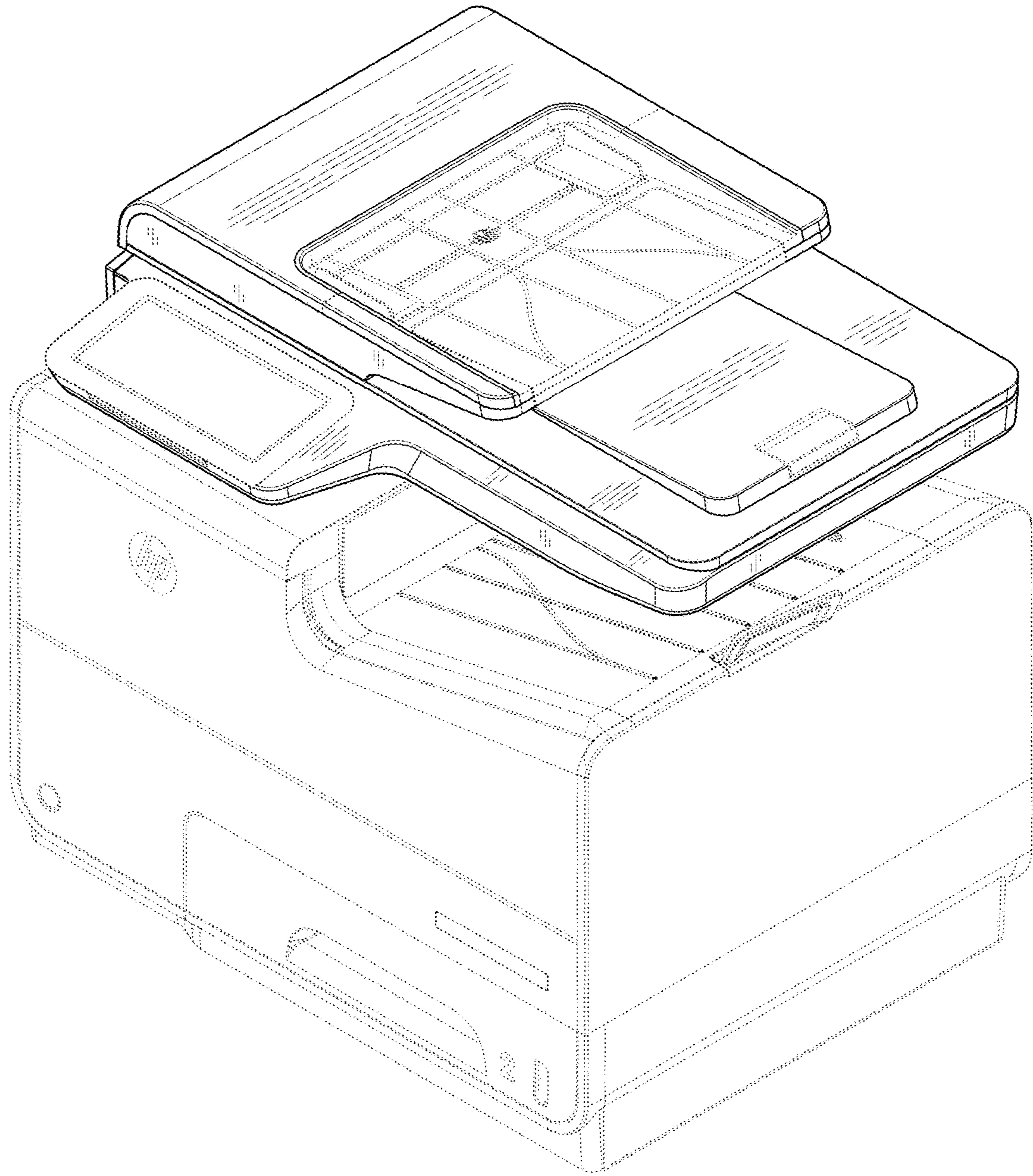


FIG. 1

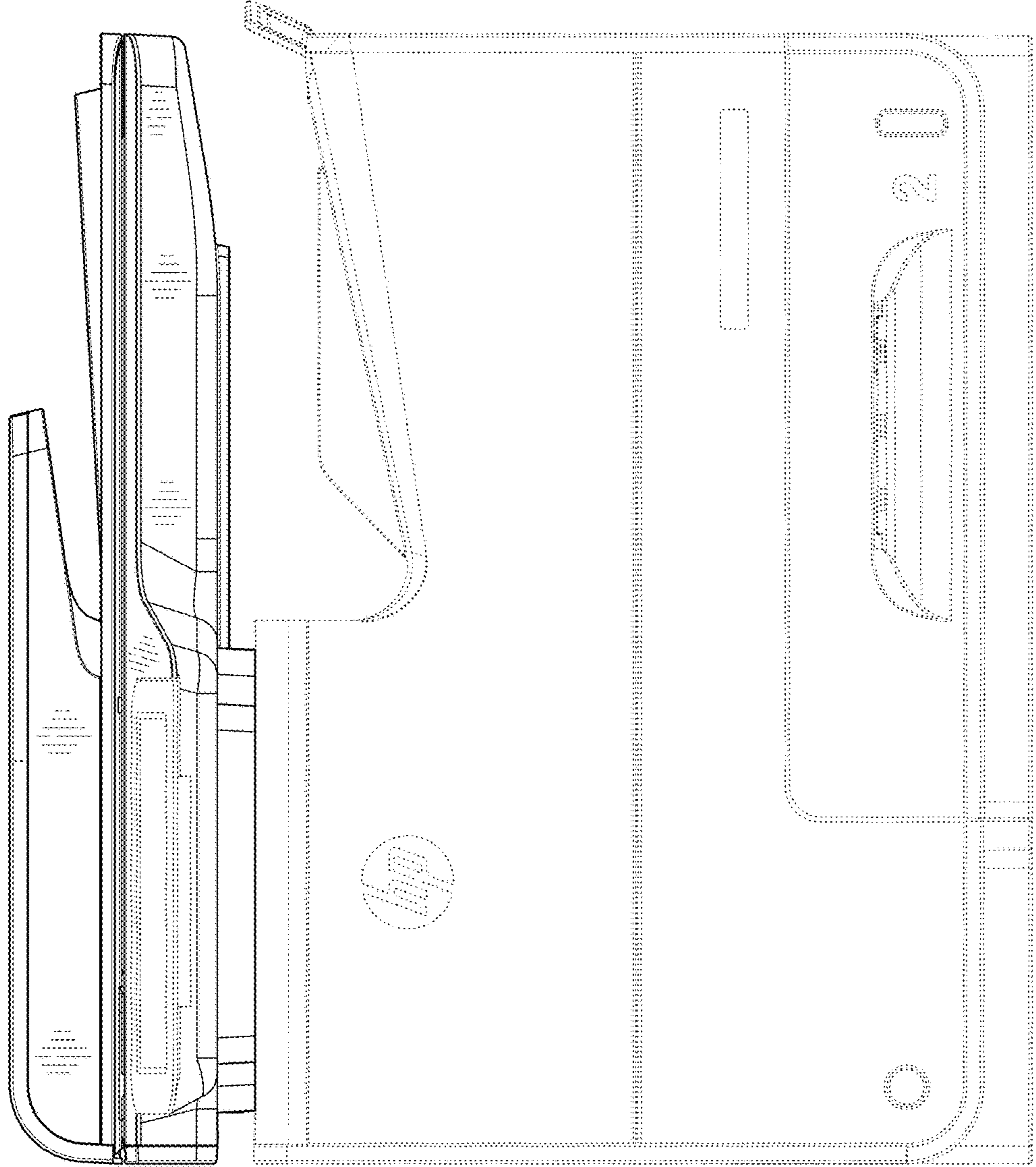


FIG. 2

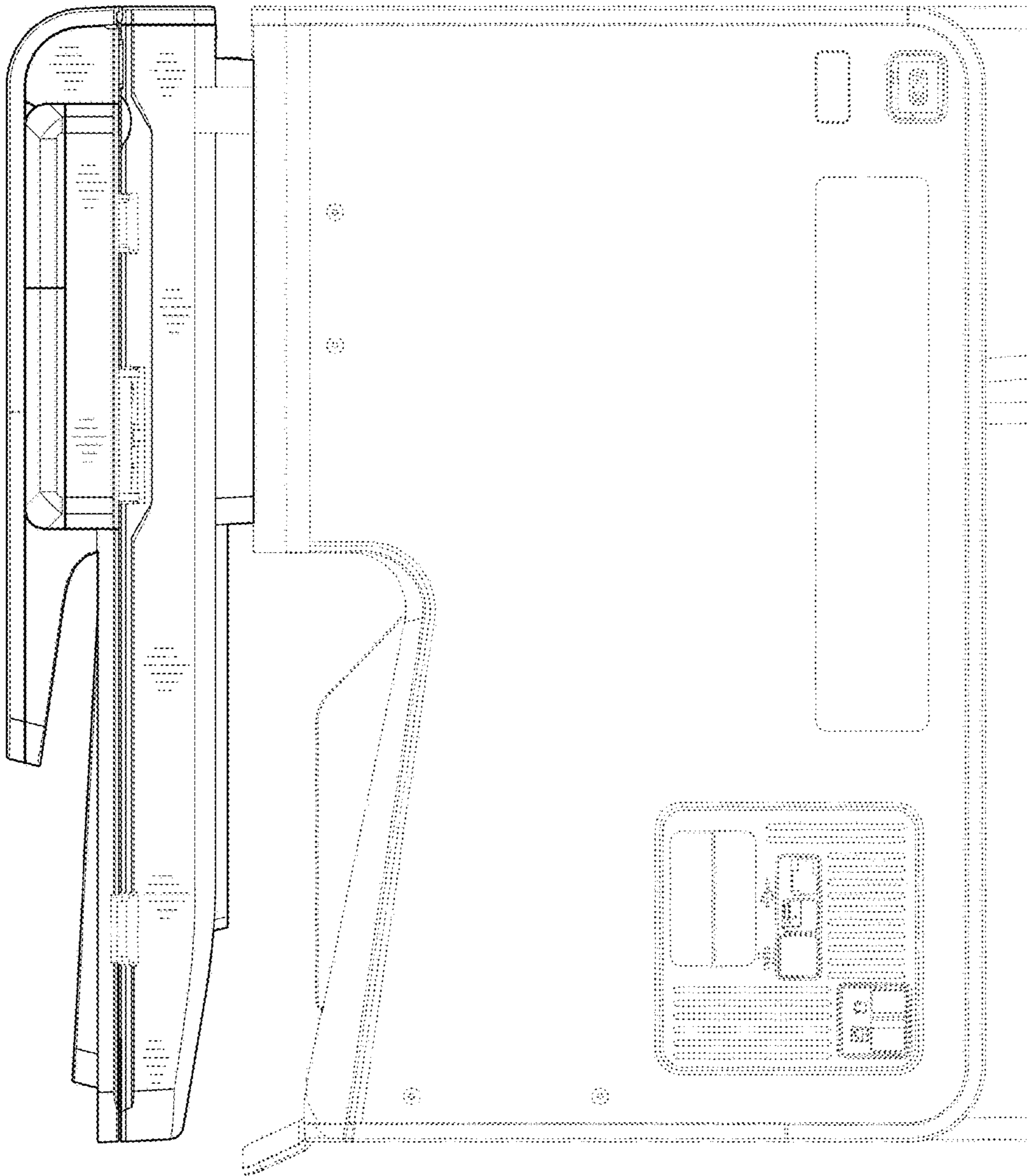


FIG. 3

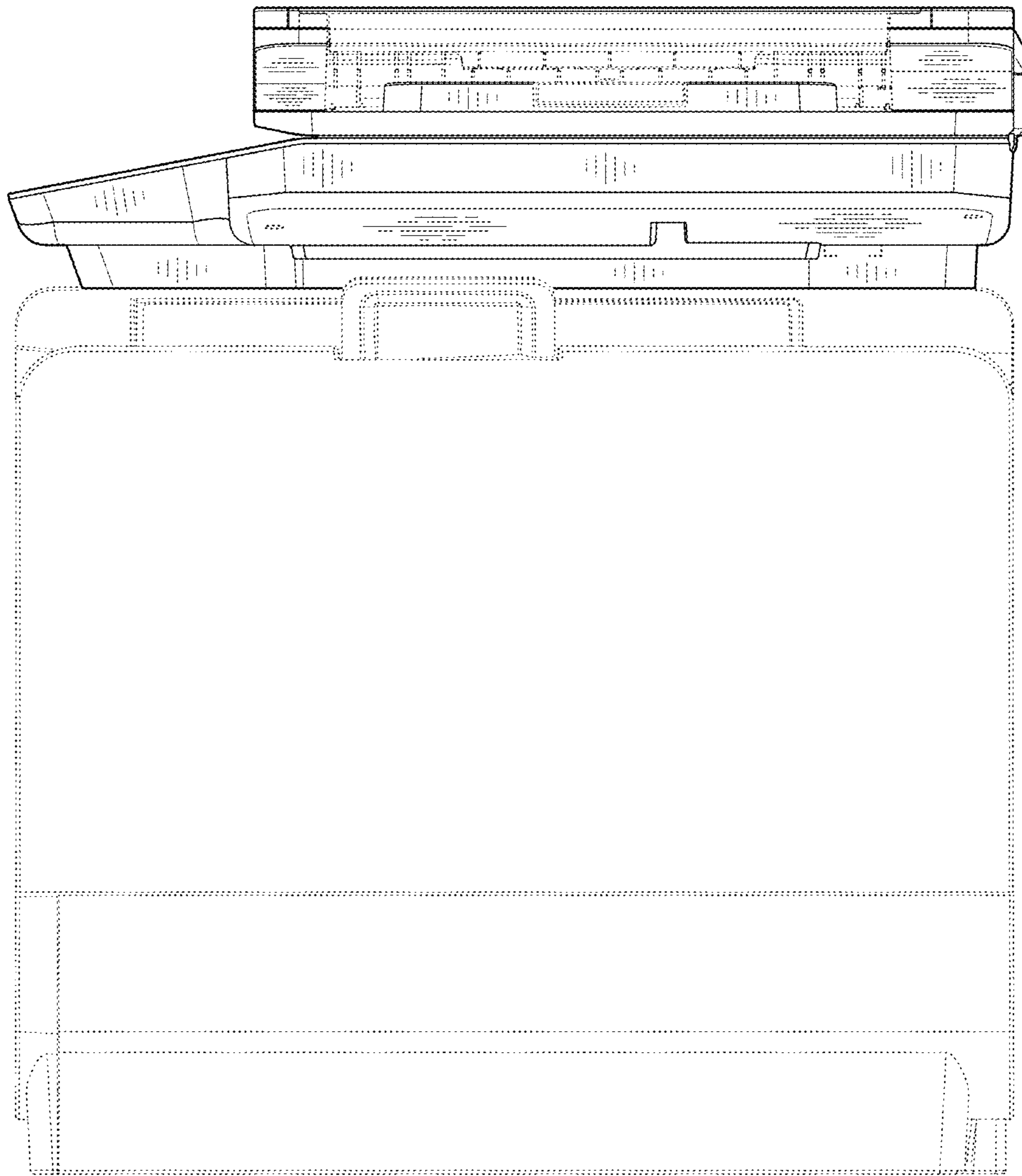


FIG. 4

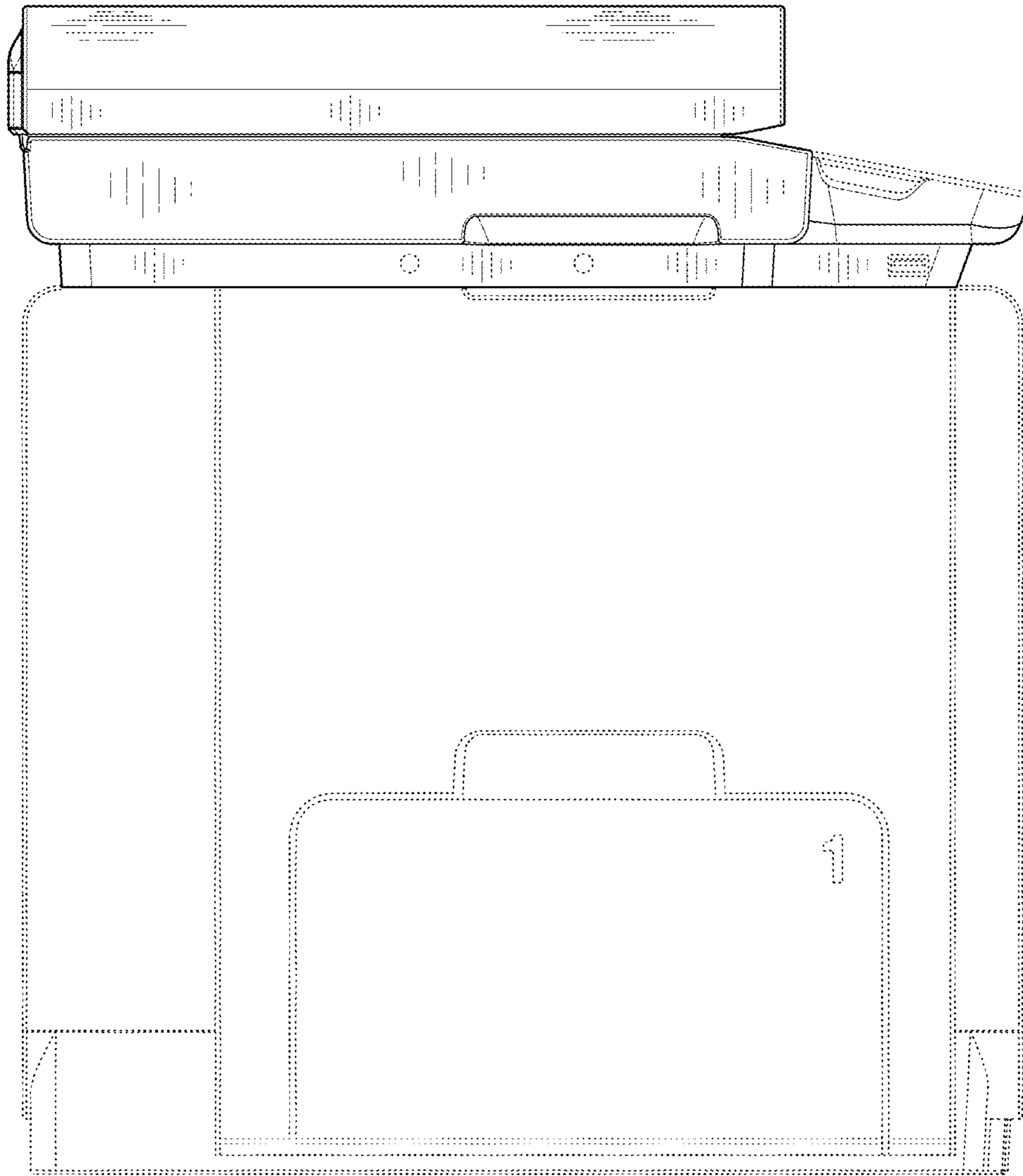


FIG. 5

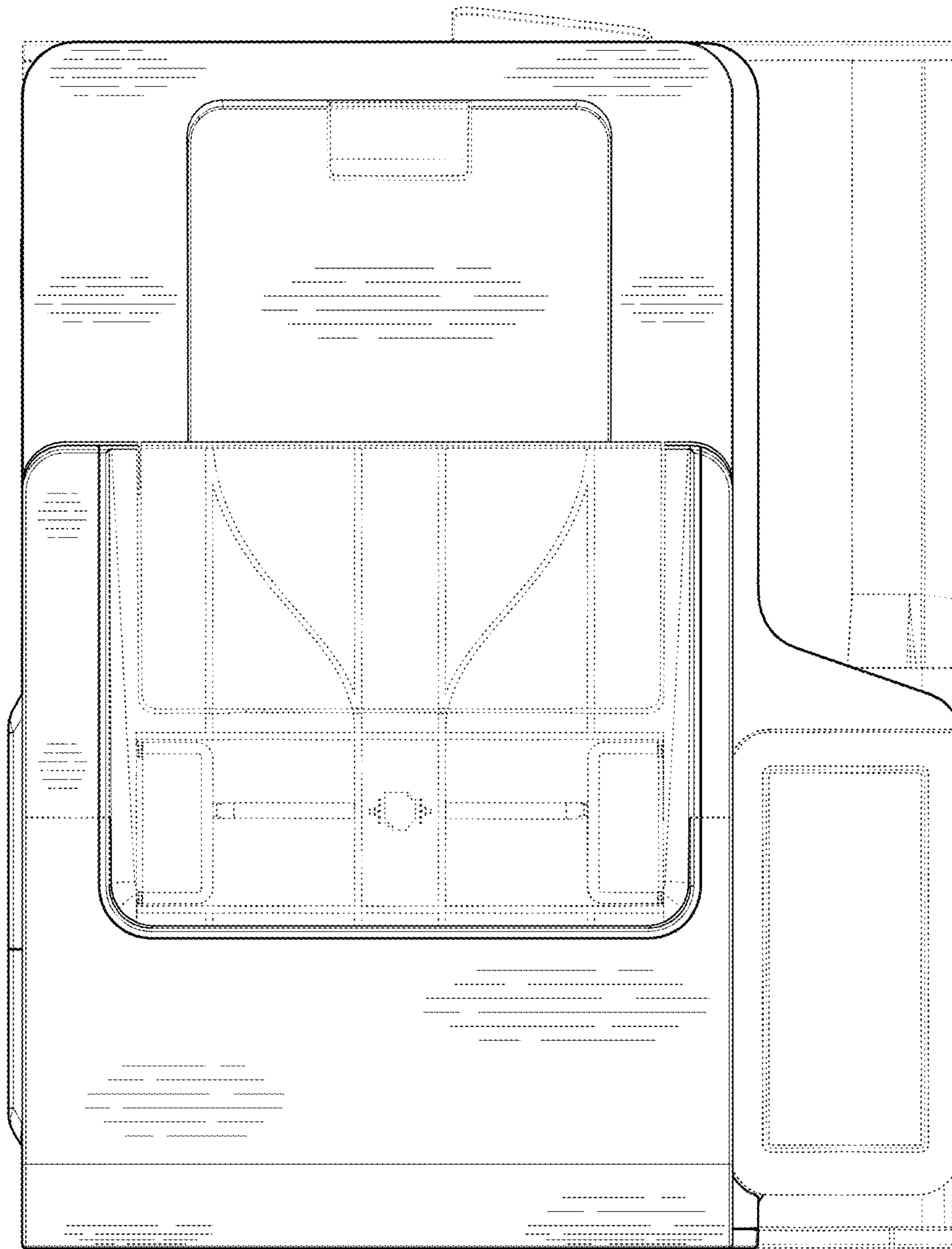


FIG. 6



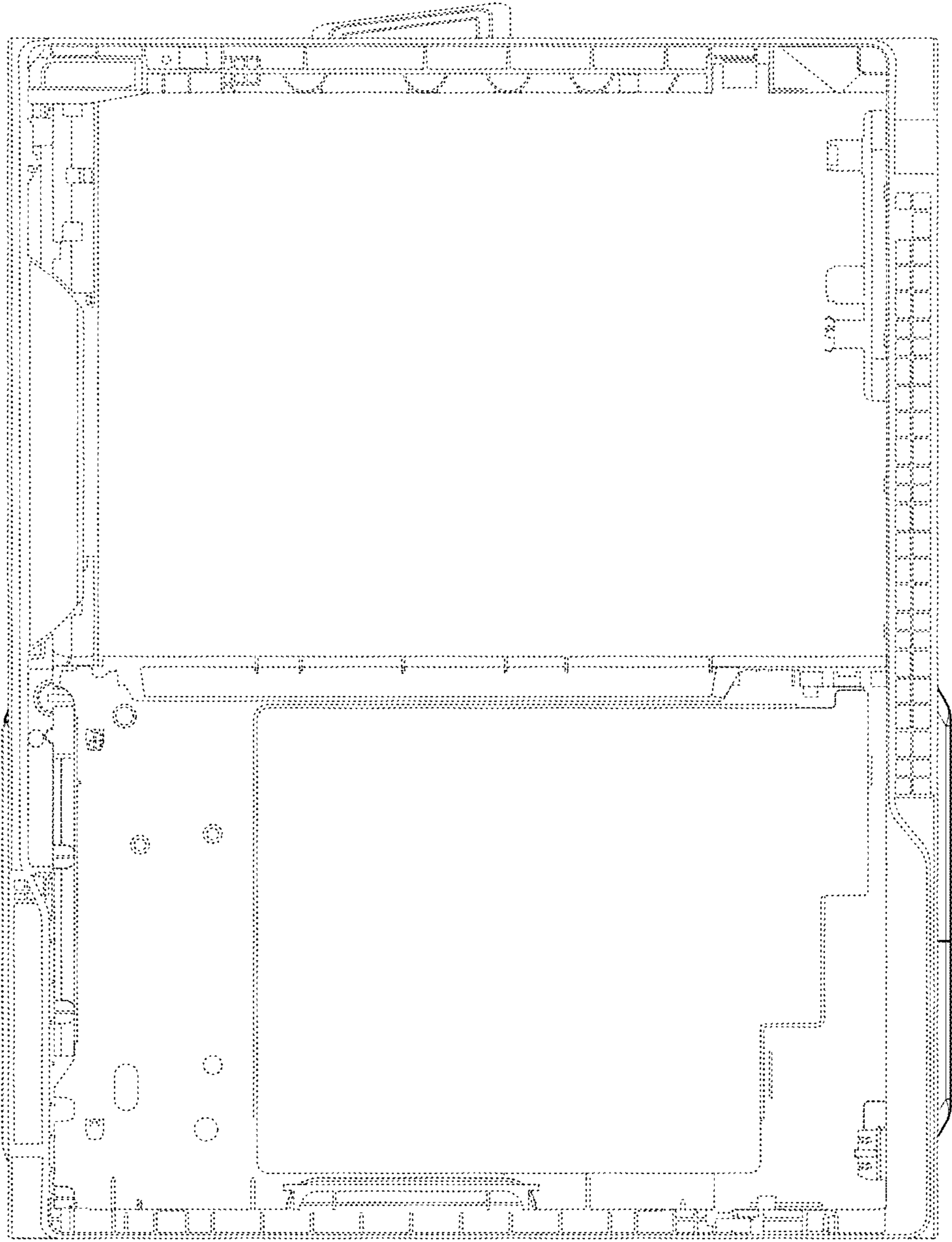


FIG. 7