



US00D792919S

(12) **United States Design Patent**  
**Ryu et al.**

(10) **Patent No.:** **US D792,919 S**  
(45) **Date of Patent:** **\*\* Jul. 25, 2017**

(54) **CAMERA**  
(71) Applicant: **LG ELECTRONICS INC.**, Seoul (KR)  
(72) Inventors: **Seunghoon Ryu**, Seoul (KR); **Joe Hyun**, Seoul (KR)  
(73) Assignee: **LG Electronics Inc.**, Seoul (KR)  
(\*\*) Term: **15 Years**

6,683,654 B1 \* 1/2004 Haijima ..... H04N 5/2252  
348/335  
D524,347 S \* 7/2006 Takahashi ..... D16/202  
D529,063 S \* 9/2006 Cheng ..... D16/203  
7,221,402 B2 \* 5/2007 Cheng ..... H04N 5/2254  
348/375  
D563,450 S \* 3/2008 Cheng ..... D16/200  
D612,408 S \* 3/2010 Yamakawa ..... D16/203  
D613,784 S \* 4/2010 Wang ..... D16/203  
D614,222 S \* 4/2010 Yamakawa ..... D16/203  
D633,543 S \* 3/2011 Park ..... D16/203  
D732,100 S \* 6/2015 Jeong ..... D16/203  
D739,888 S \* 9/2015 Liang ..... D16/203

(21) Appl. No.: **29/573,091**

\* cited by examiner

(22) Filed: **Aug. 2, 2016**

*Primary Examiner* — Philip S Hyder  
*Assistant Examiner* — Ramzi Almatrahi

(30) **Foreign Application Priority Data**

(74) *Attorney, Agent, or Firm* — Birch, Stewart, Kolasch & Birch, LLP

Feb. 2, 2016 (KR) ..... 30-2016-0005064

(51) **LOC (10) Cl.** ..... **16-01**

(52) **U.S. Cl.**  
USPC ..... **D16/218**

(58) **Field of Classification Search**

USPC ..... D16/200, 202–206, 218, 219, 242;  
348/143, 148, 151, 373–376; 396/419,  
396/427, 535, 539–541  
CPC ..... G03B 17/02; G03B 19/04; G03B 17/56;  
G03B 17/04; G03B 15/03; H04N 5/2251;  
H04N 5/2252; H04N 5/2253; H04N  
5/2254; H04N 7/181; H04N 7/183; H04N  
7/18; G08B 13/1963; G08B 13/19619;  
G08B 13/19632; F16M 11/04; F16M  
13/00

See application file for complete search history.

(56) **References Cited**

**U.S. PATENT DOCUMENTS**

D366,271 S \* 1/1996 Hasegawa ..... D16/203  
D446,801 S \* 8/2001 Adachi ..... D16/203

(57) **CLAIM**

The ornamental design for a camera, as shown and described.

**DESCRIPTION**

FIG. 1 is a front and right side perspective view of a camera showing our new design;  
FIG. 2 is a front view thereof;  
FIG. 3 is a rear view thereof;  
FIG. 4 is a left side view thereof;  
FIG. 5 is a right side view thereof;  
FIG. 6 is a top view thereof; and,  
FIG. 7 is a bottom view.

The broken lines shown are included for the purpose of illustrating unclaimed portions of the camera and form no part of the claimed design.

**1 Claim, 5 Drawing Sheets**

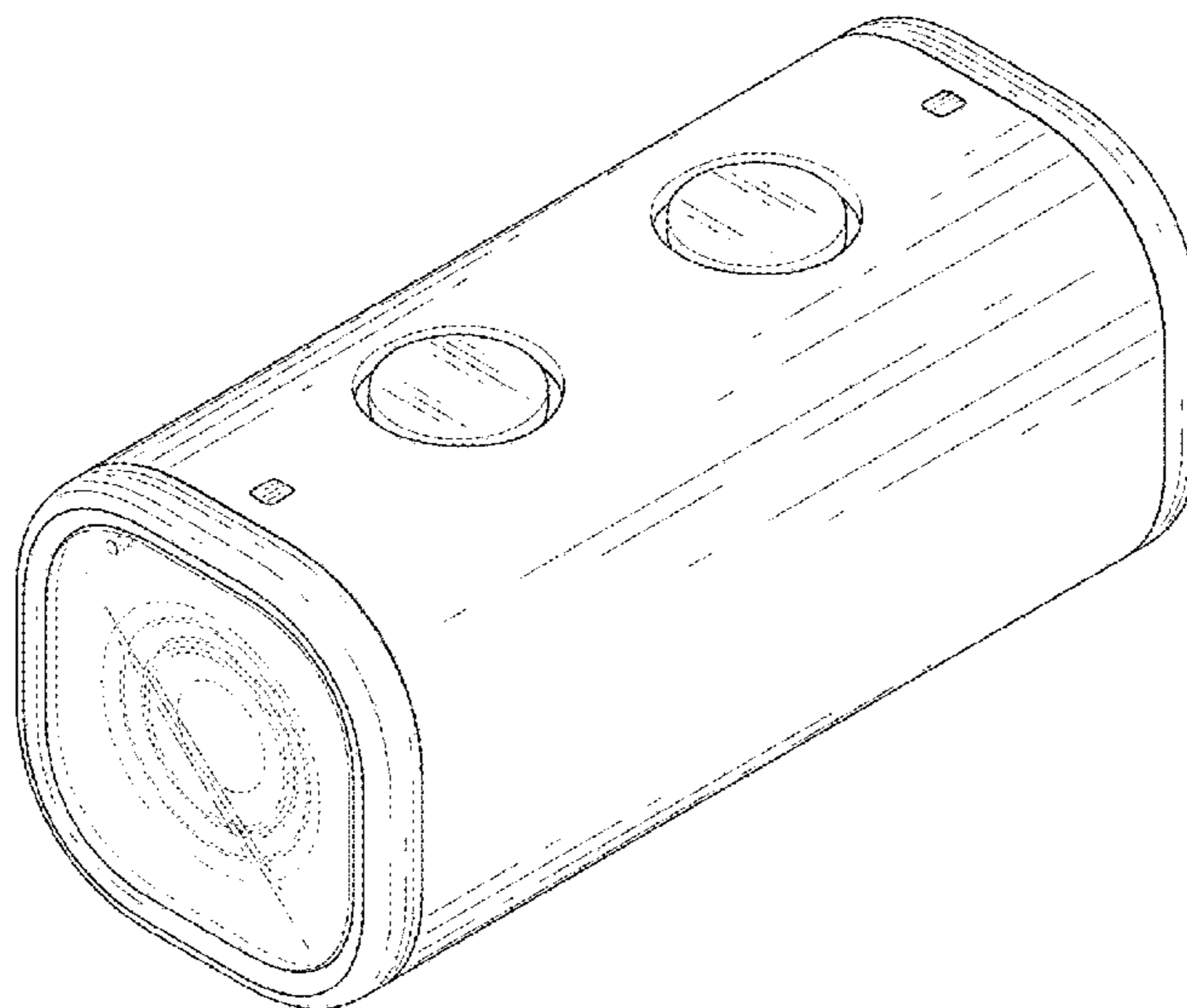


FIG.1

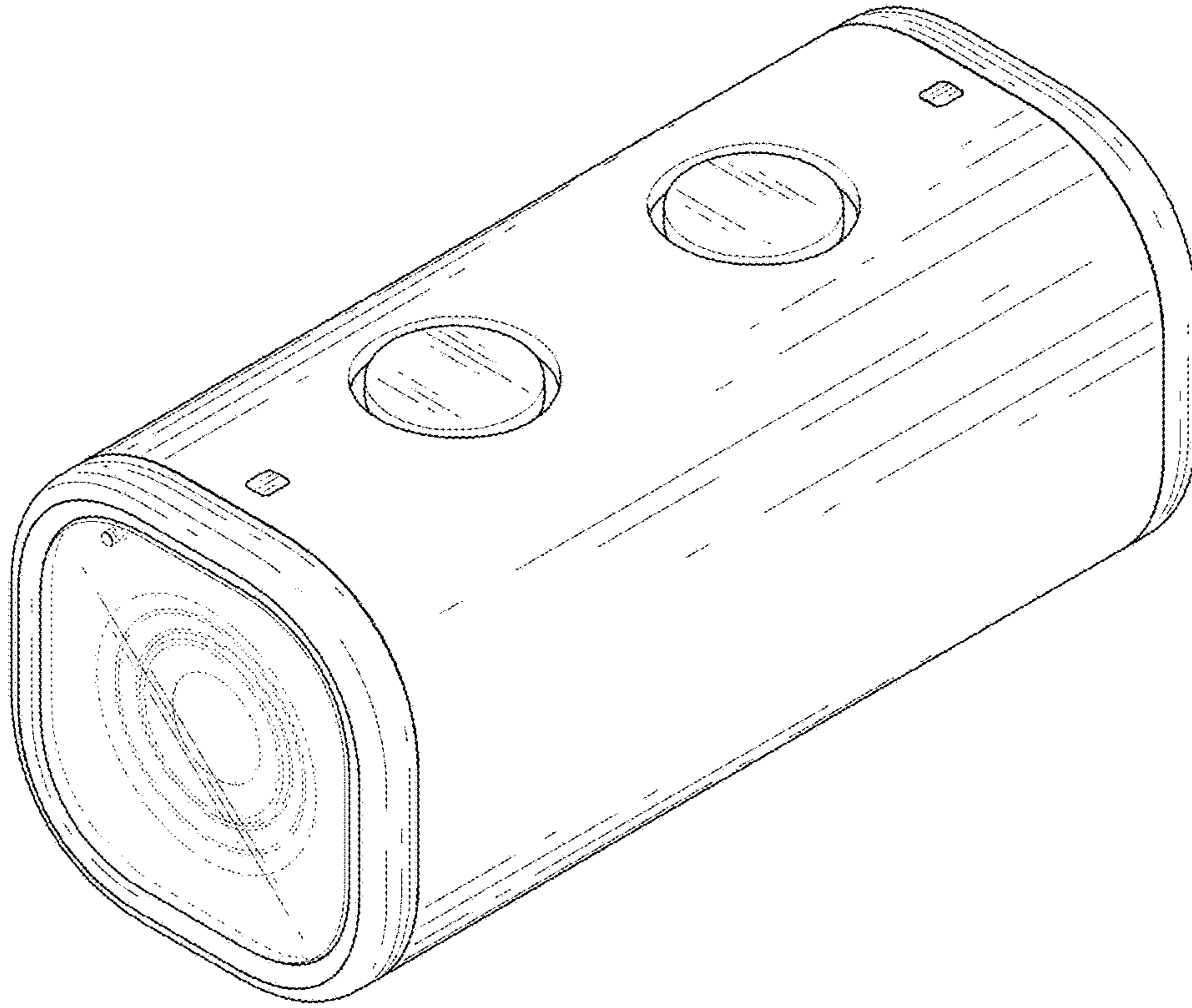


FIG.2

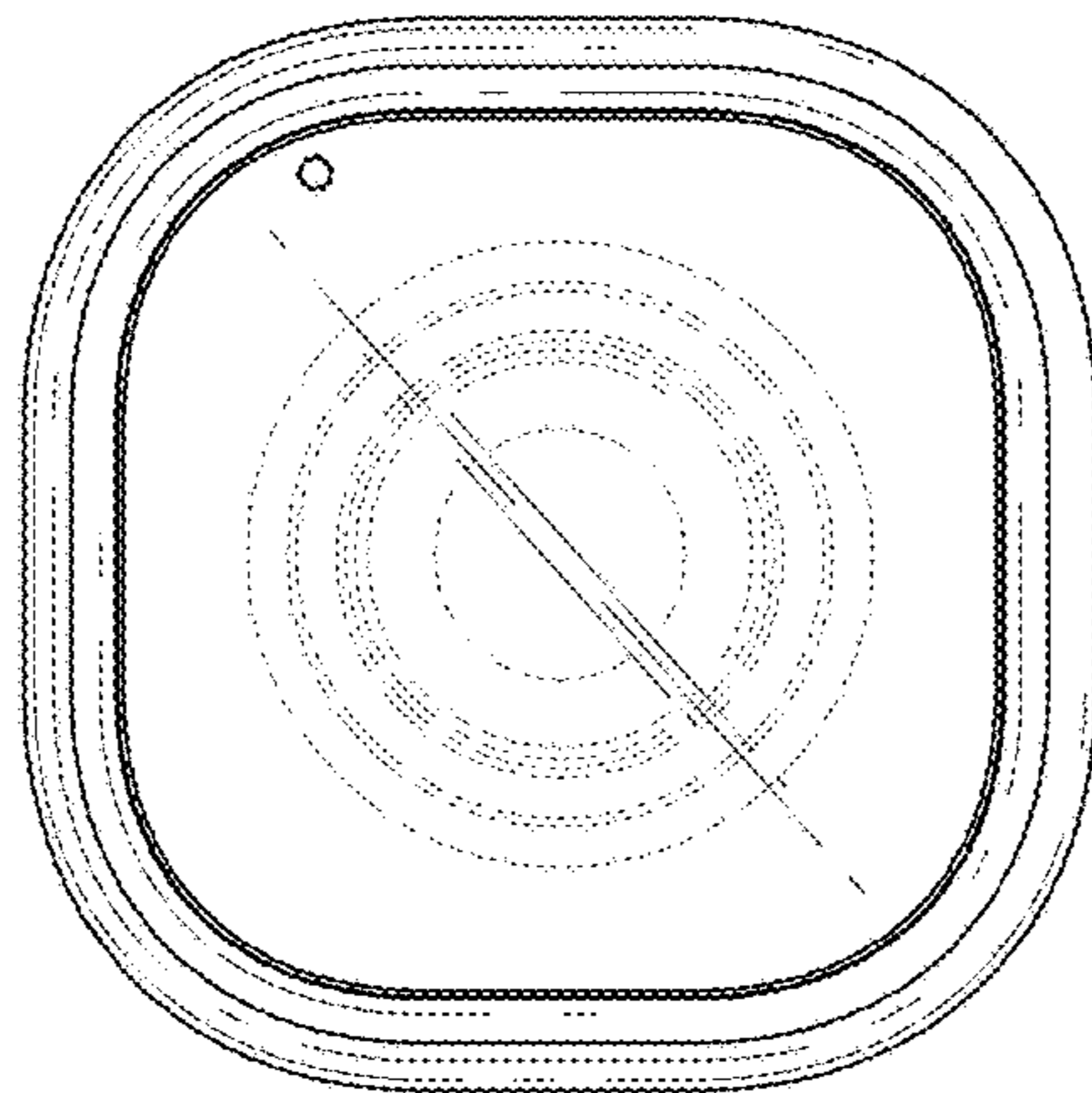


FIG.3

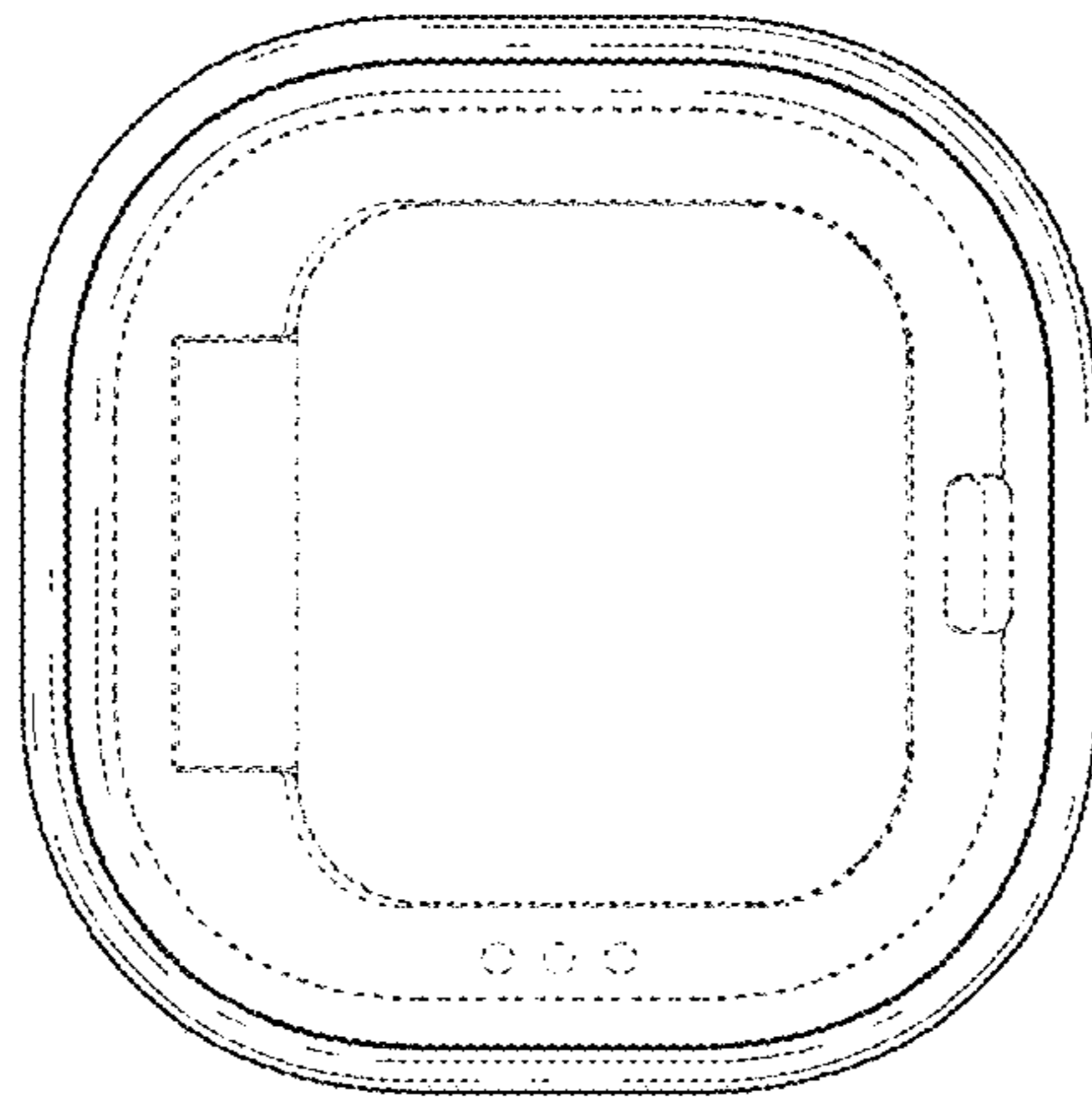


FIG.4

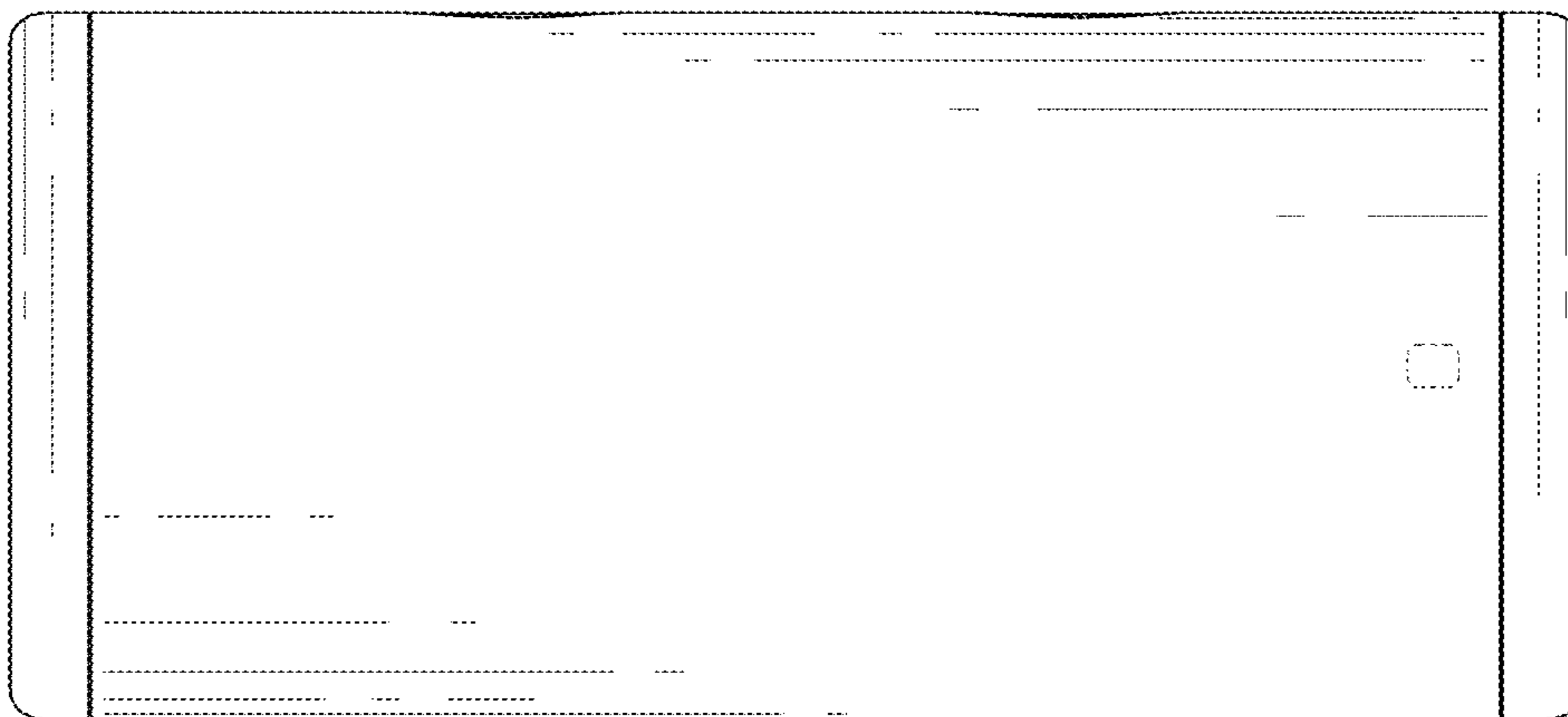


FIG.5

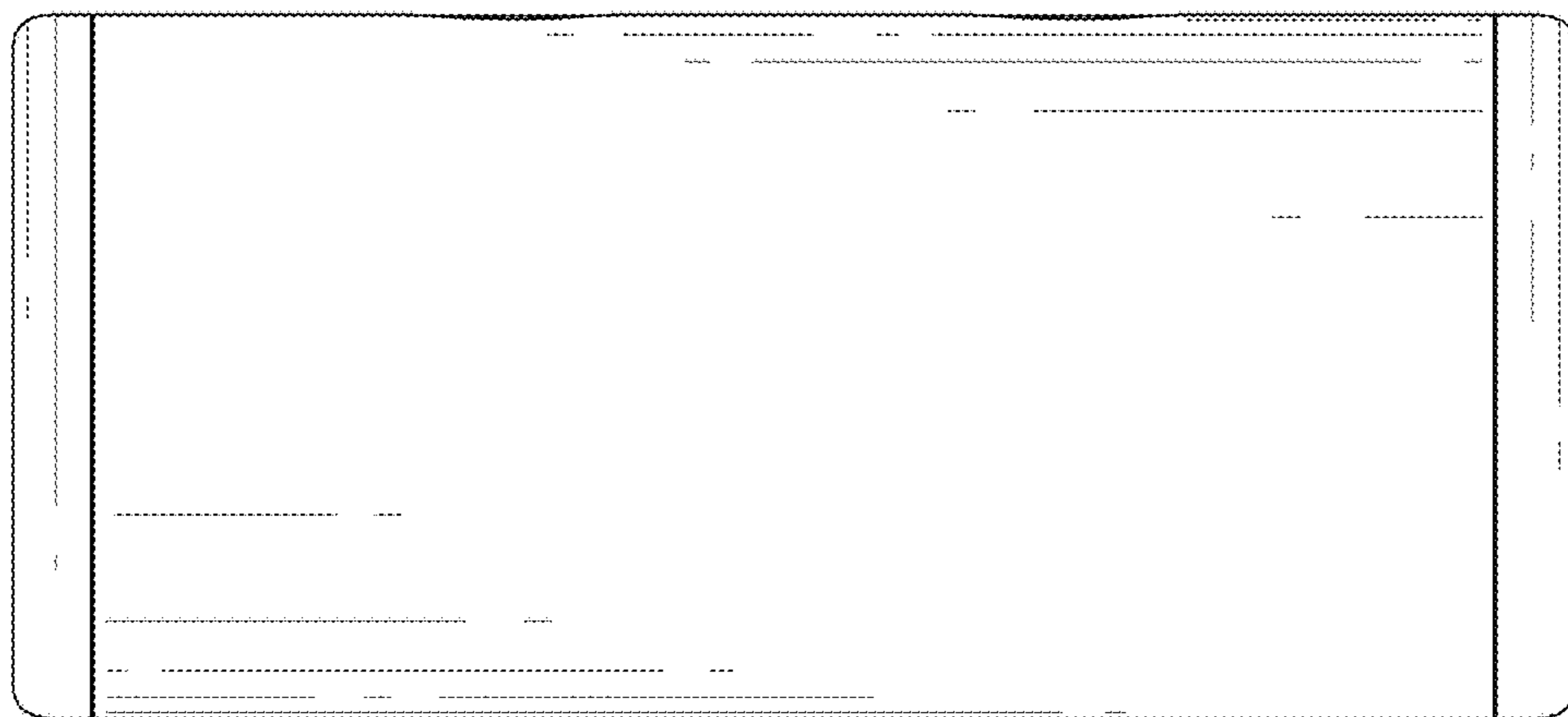


FIG.6

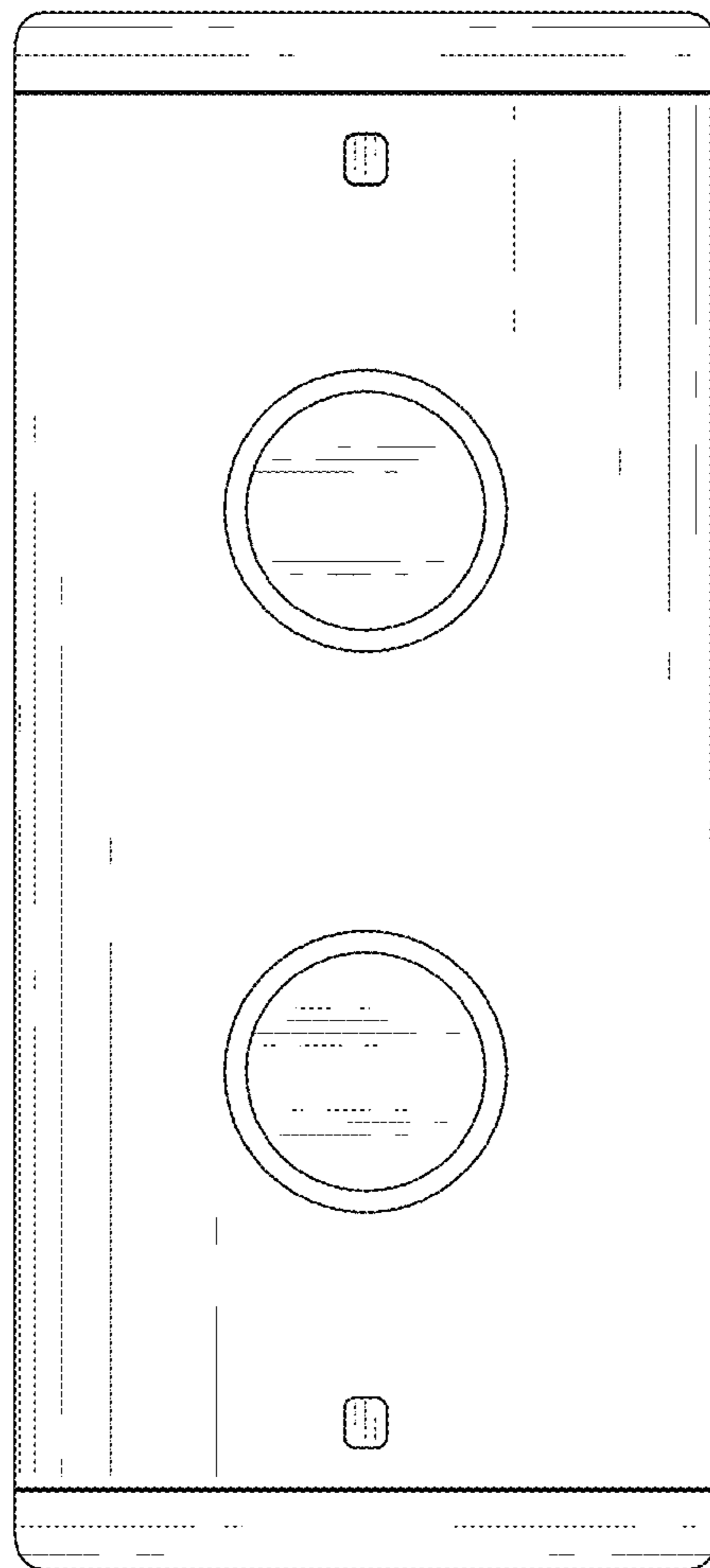


FIG.7

