



US00D792917S

(12) **United States Design Patent**
Fischer

(10) **Patent No.:** **US D792,917 S**

(45) **Date of Patent:** **** Jul. 25, 2017**

(54) **ROBOT**

(71) Applicant: **SCHULER AG**, Göppingen (DE)

(72) Inventor: **Lothar Fischer**, Pforzheim (DE)

(73) Assignee: **Schuler AG**, Goeppingen (DE)

(**) Term: **15 Years**

(21) Appl. No.: **29/553,887**

(22) Filed: **Feb. 5, 2016**

(30) **Foreign Application Priority Data**

Aug. 21, 2015 (EM) 002758524-0001

(51) **LOC (10) Cl.** **15-99**

(52) **U.S. Cl.**
USPC **D15/199**

(58) **Field of Classification Search**
USPC D15/199; D21/578-583, 621, 622
CPC B25J 9/044; B25J 9/102; Y10T 74/20305
See application file for complete search history.

(56) **References Cited**

U.S. PATENT DOCUMENTS

D279,572 S *	7/1985	Yasuoka	D15/122
D287,368 S *	12/1986	Shibayama	D15/122
D344,279 S *	2/1994	Koyama	D15/199
D440,241 S *	4/2001	Kawahara	D15/199
D443,287 S *	6/2001	Kawahara	D15/199
D613,781 S *	4/2010	Liu	D15/199
D616,477 S *	5/2010	Long	D15/199
D624,104 S *	9/2010	Miyake	15/99
D625,347 S *	10/2010	Feng	D15/199
D638,043 S *	5/2011	Tsuchiya	D15/199
D638,044 S *	5/2011	Ikoma	D15/199
D638,455 S *	5/2011	Long	D15/199
D650,820 S *	12/2011	Long	D15/199
D651,627 S *	1/2012	Long	D15/199

D670,319 S *	11/2012	Liu	D15/199
D677,294 S *	3/2013	Long	D15/199
D678,378 S *	3/2013	Selic	D15/199
D681,708 S *	5/2013	Miyake	D15/199
D690,753 S *	10/2013	Liu	D15/199
D692,041 S *	10/2013	Selic	D15/199
D711,061 S *	8/2014	Chen	D34/29
D713,436 S *	9/2014	Liu	D15/199
D716,357 S *	10/2014	Gombert	D15/199
D757,144 S *	5/2016	Parrot	D15/199
D761,339 S *	7/2016	White, Jr.	D15/199
D766,348 S *	9/2016	Long	D15/199
D768,220 S *	10/2016	Kinoshita	D15/199
D769,343 S *	10/2016	Bordegnoni	D15/199
2005/0204850 A1 *	9/2005	Nihei	B25J 9/102 74/490.01
2008/0271561 A1 *	11/2008	Ohara	B23K 9/133 74/490.01
2009/0050411 A1 *	2/2009	Ellqvist	B25J 9/102 184/6.12
2010/0043587 A1 *	2/2010	Broberg	B25J 19/0016 74/490.01

(Continued)

Primary Examiner — Patricia Palasik

(74) *Attorney, Agent, or Firm* — Burr & Brown, PLLC

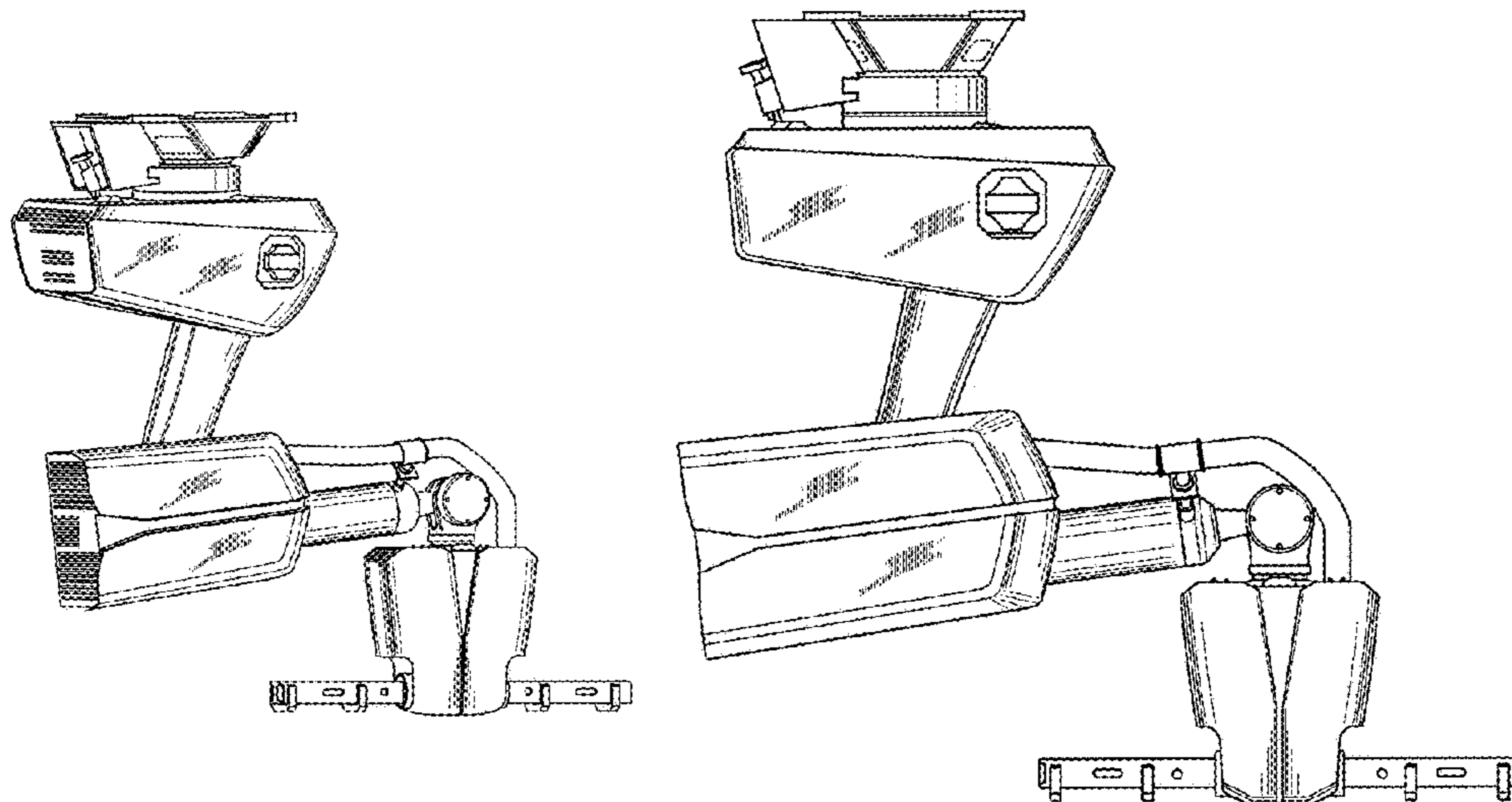
(57) **CLAIM**

The ornamental design for a robot, as shown and described.

DESCRIPTION

FIG. 1 is a front perspective view of a robot;
FIG. 2 is a front view thereof;
FIG. 3 is a rear view thereof;
FIG. 4 is a right side elevational view thereof;
FIG. 5 is a left side elevational view thereof;
FIG. 6 is a top plan view thereof; and,
FIG. 7 is a bottom plan view thereof.
The broken lines in the drawings depict unclaimed subject matter only and form no part of the claimed design.

1 Claim, 7 Drawing Sheets



(56)

References Cited

U.S. PATENT DOCUMENTS

2011/0303042	A1 *	12/2011	Pan	B25J 9/0009 74/490.05
2013/0060383	A1 *	3/2013	Jeong	B25J 9/045 700/261
2013/0125691	A1 *	5/2013	Wappling	B25J 19/0062 74/467
2013/0305866	A1 *	11/2013	Krumbacher	B25J 18/06 74/490.03
2014/0102240	A1 *	4/2014	Inada	B25J 17/0283 74/490.02
2015/0081098	A1 *	3/2015	Kogan	B25J 9/1656 700/258
2015/0246449	A1 *	9/2015	Sakai	B25J 19/0025 74/490.02
2016/0052128	A1 *	2/2016	Zimmermann	B25J 9/0081 700/261
2016/0114480	A1 *	4/2016	Krumbacher	B25J 9/046 74/490.03

* cited by examiner

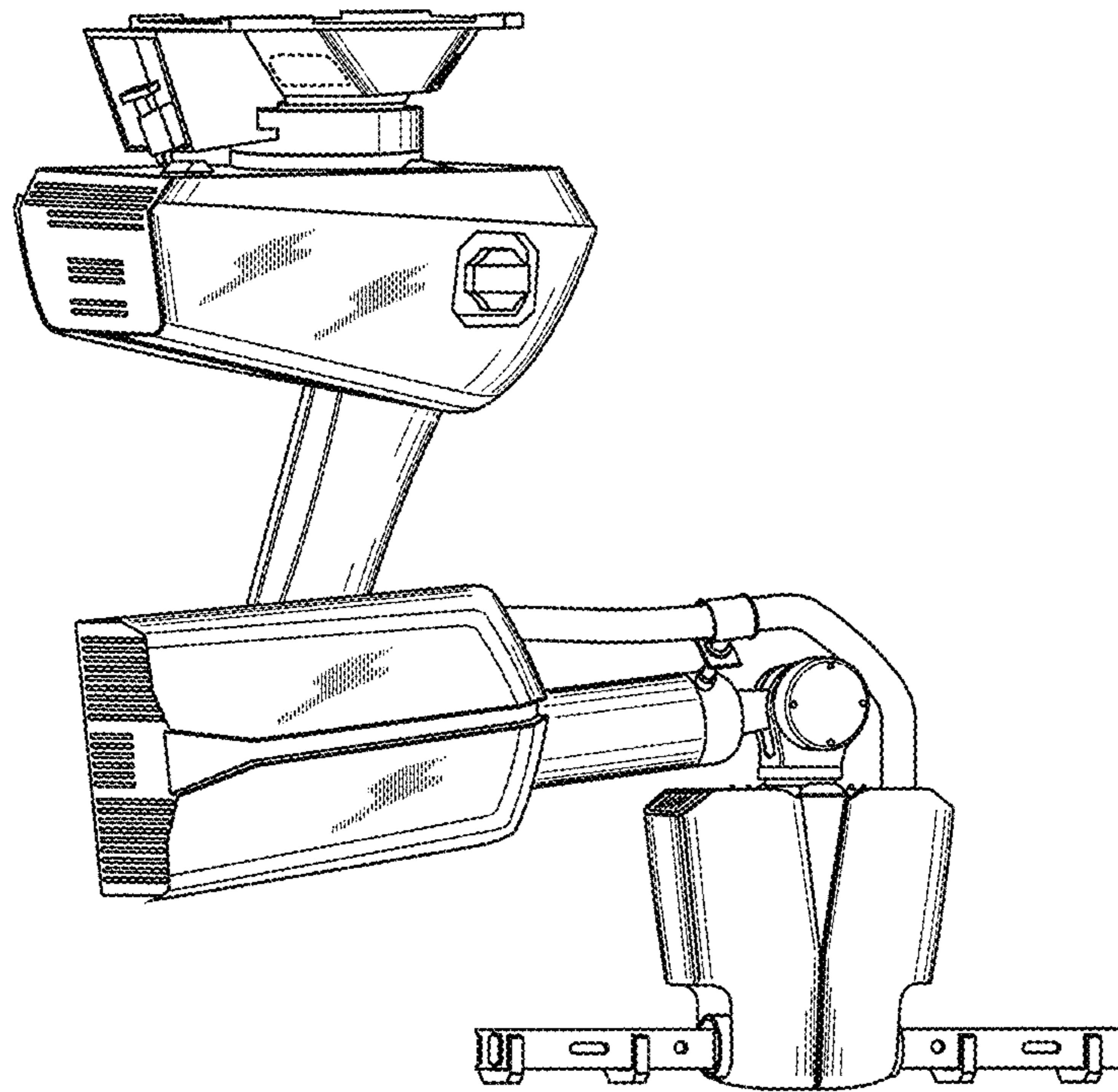


Fig. 1

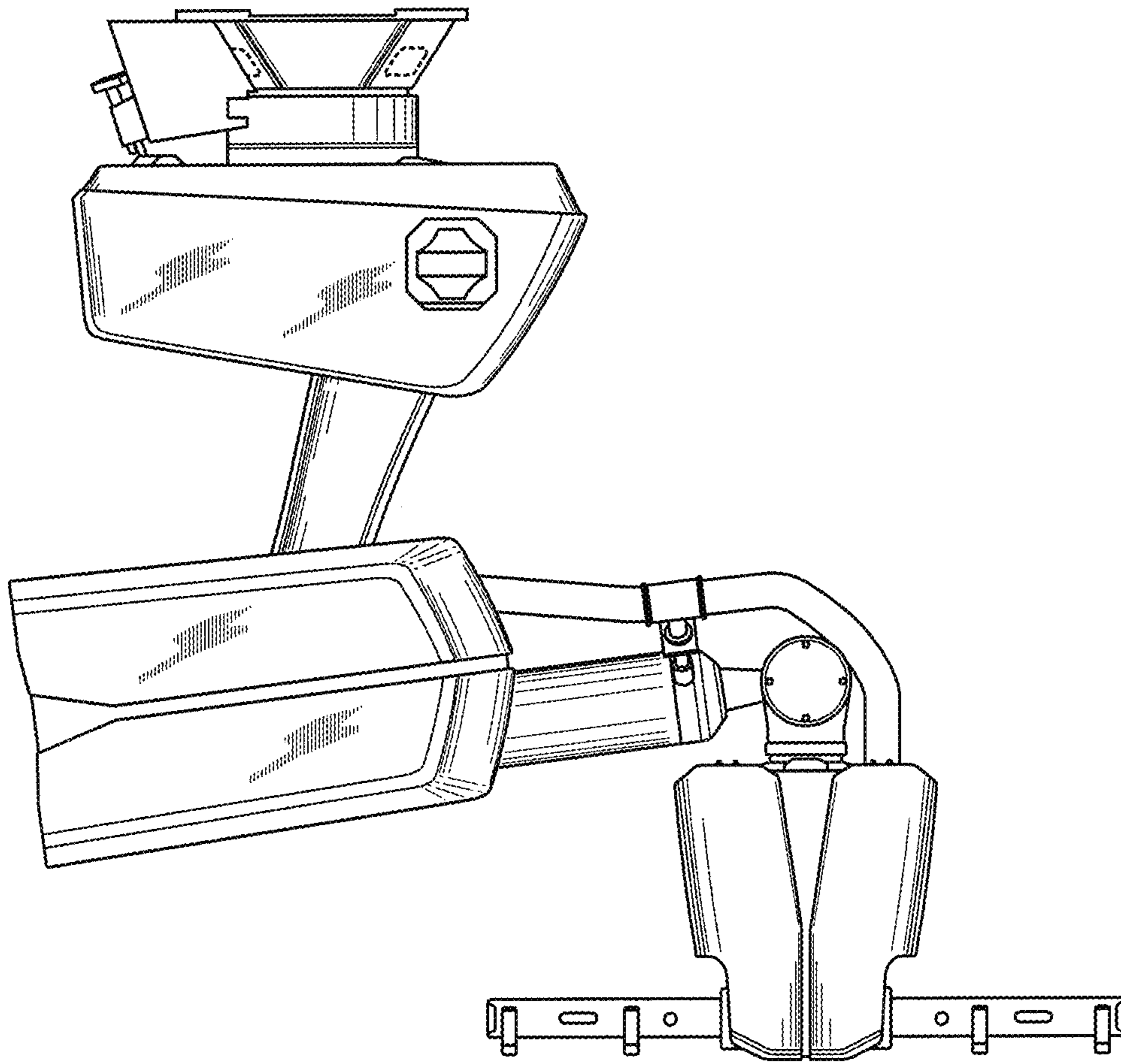


Fig. 2

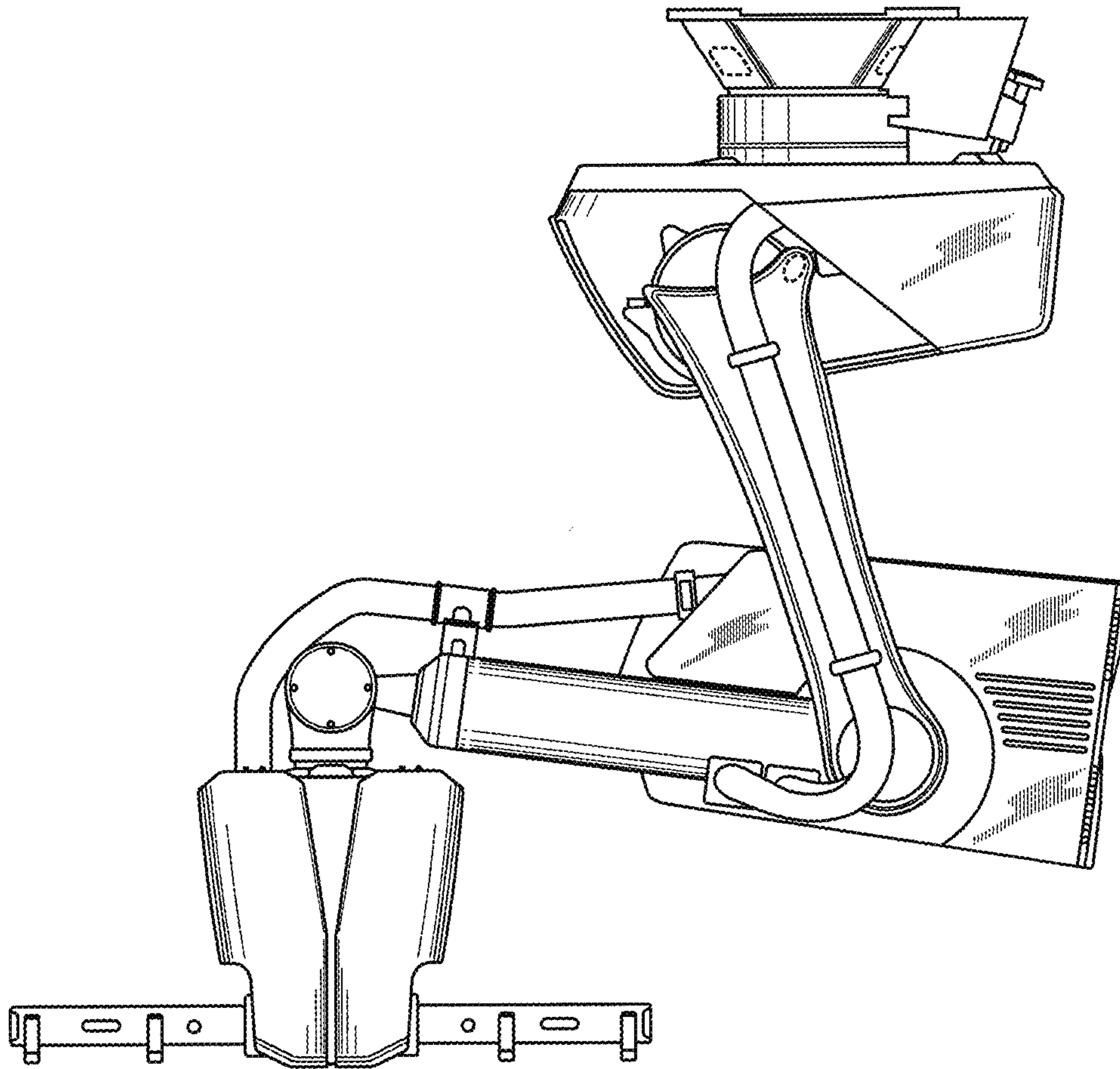


Fig. 3

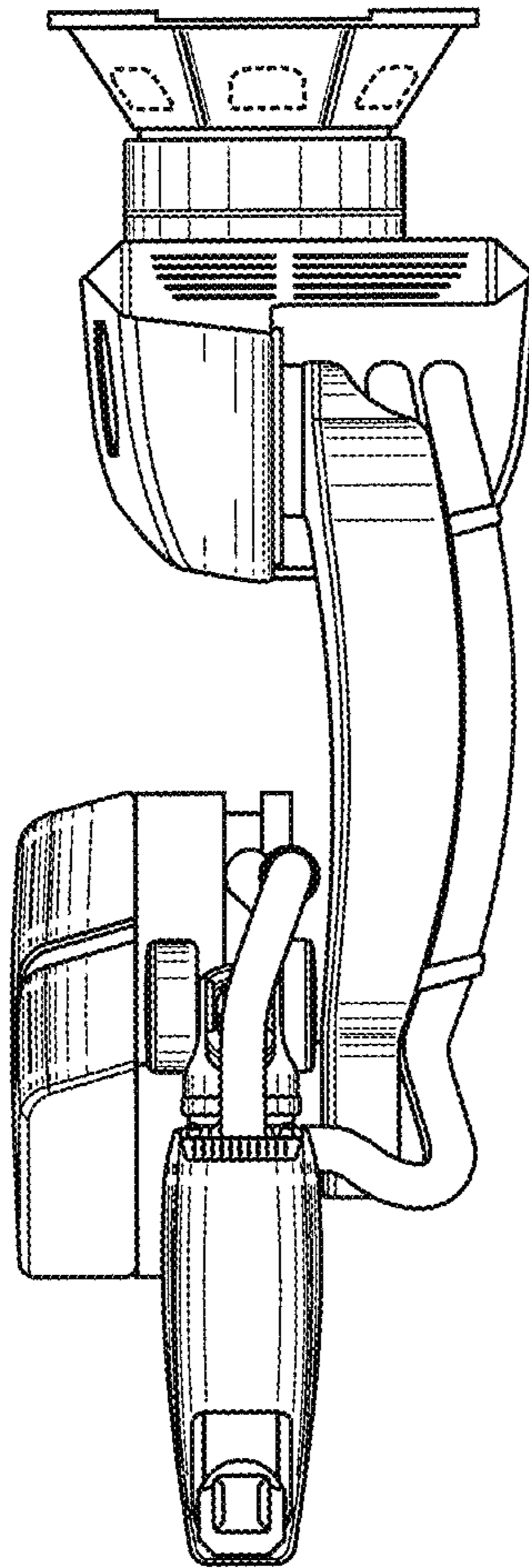


Fig. 4

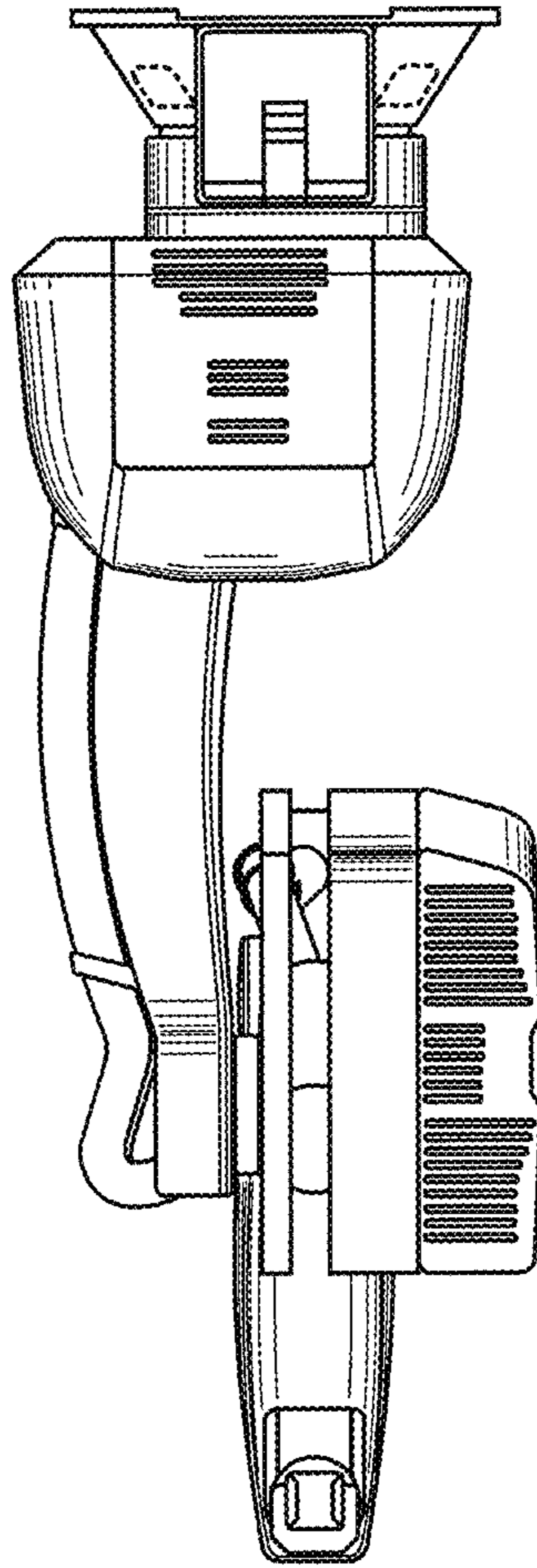


Fig. 5

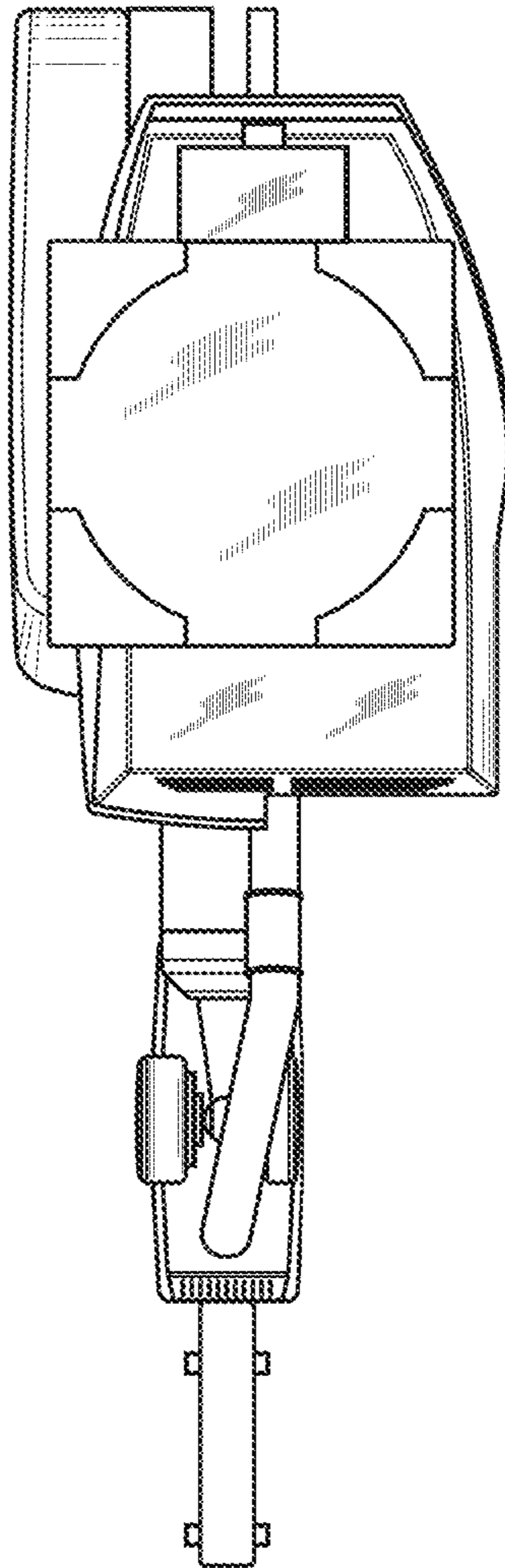


Fig. 6

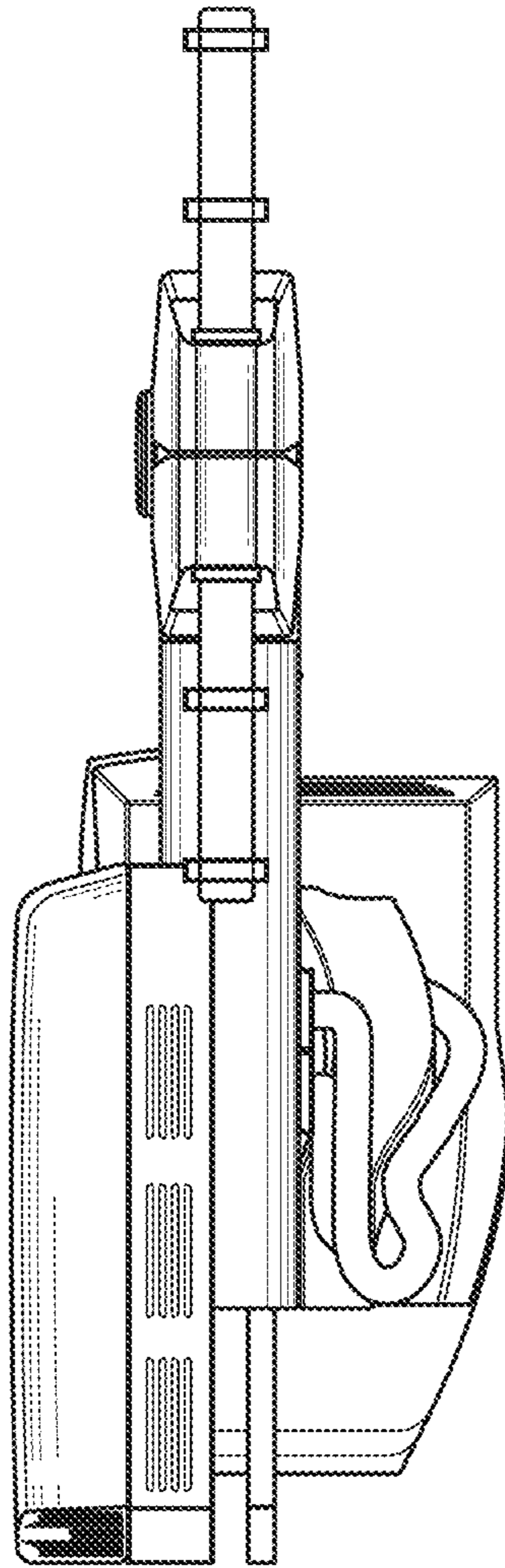


Fig. 7