



US00D792916S

(12) **United States Design Patent**
Kobayashi

(10) **Patent No.:** **US D792,916 S**

(45) **Date of Patent:** **** Jul. 25, 2017**

(54) **ROTARY ACTUATOR**

(71) Applicant: **SMC CORPORATION**, Chiyoda-ku
(JP)

(72) Inventor: **Takaaki Kobayashi**, Higashiyamato
(JP)

(73) Assignee: **SMC CORPORATION**, Chiyoda-ku
(JP)

(**) Term: **15 Years**

(21) Appl. No.: **29/559,806**

(22) Filed: **Mar. 31, 2016**

(30) **Foreign Application Priority Data**

Oct. 9, 2015 (JP) 2015-022315

(51) **LOC (10) Cl.** **15-08**

(52) **U.S. Cl.**
USPC **D15/148**

(58) **Field of Classification Search**
USPC D13/148, 158; D15/143, 148, 199;
D23/233
CPC F15B 11/076; F15B 11/0413; F15B 15/24;
F15B 15/065; F15B 15/149; F15B
15/1433; F16H 19/04
See application file for complete search history.

(56) **References Cited**

U.S. PATENT DOCUMENTS

D597,111 S * 7/2009 Takeuchi D15/143
D597,112 S * 7/2009 Takeuchi D15/143

D628,219 S * 11/2010 Fukano D15/143
D660,333 S * 5/2012 Takeuchi D15/143
D660,334 S * 5/2012 Takeuchi D15/143
D674,423 S * 1/2013 Mangold D15/143
2003/0041598 A1 * 3/2003 Takeuchi F15B 11/0413
60/591
2010/0064834 A1 * 3/2010 Takeuchi F15B 15/065
74/422
2016/0061231 A1 * 3/2016 Tabuchi F15B 15/065
92/136

* cited by examiner

Primary Examiner — Patricia Palasik

(74) *Attorney, Agent, or Firm* — Oblon, McClelland,
Maier & Neustadt, L.L.P.

(57) **CLAIM**

The ornamental design for a rotary actuator, as shown and described.

DESCRIPTION

FIG. 1 is a front elevational view of a rotary actuator;
FIG. 2 is a rear elevational view thereof;
FIG. 3 is a top plan view thereof;
FIG. 4 is a bottom plan view thereof;
FIG. 5 is a left side elevational view thereof;
FIG. 6 is a right side elevational view thereof;
FIG. 7 is a front, top, and left side perspective view thereof;
FIG. 8 is a rear, bottom, and right side perspective view thereof; and,
FIG. 9 is an enlarged front, top, and left side perspective view of section 9-9 from FIG. 7.
The broken lines in the drawings depict unclaimed environmental subject matter.

1 Claim, 4 Drawing Sheets

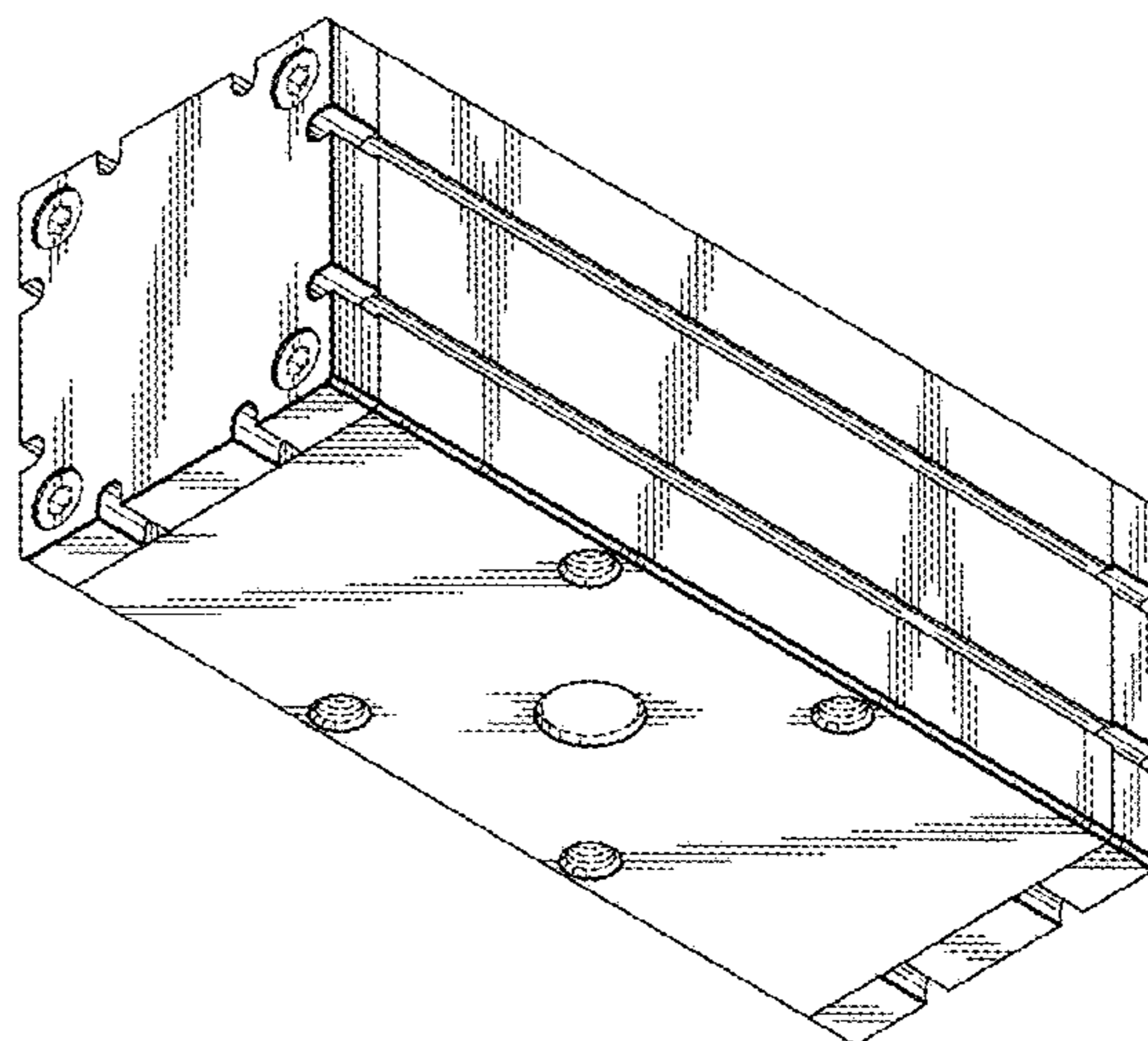
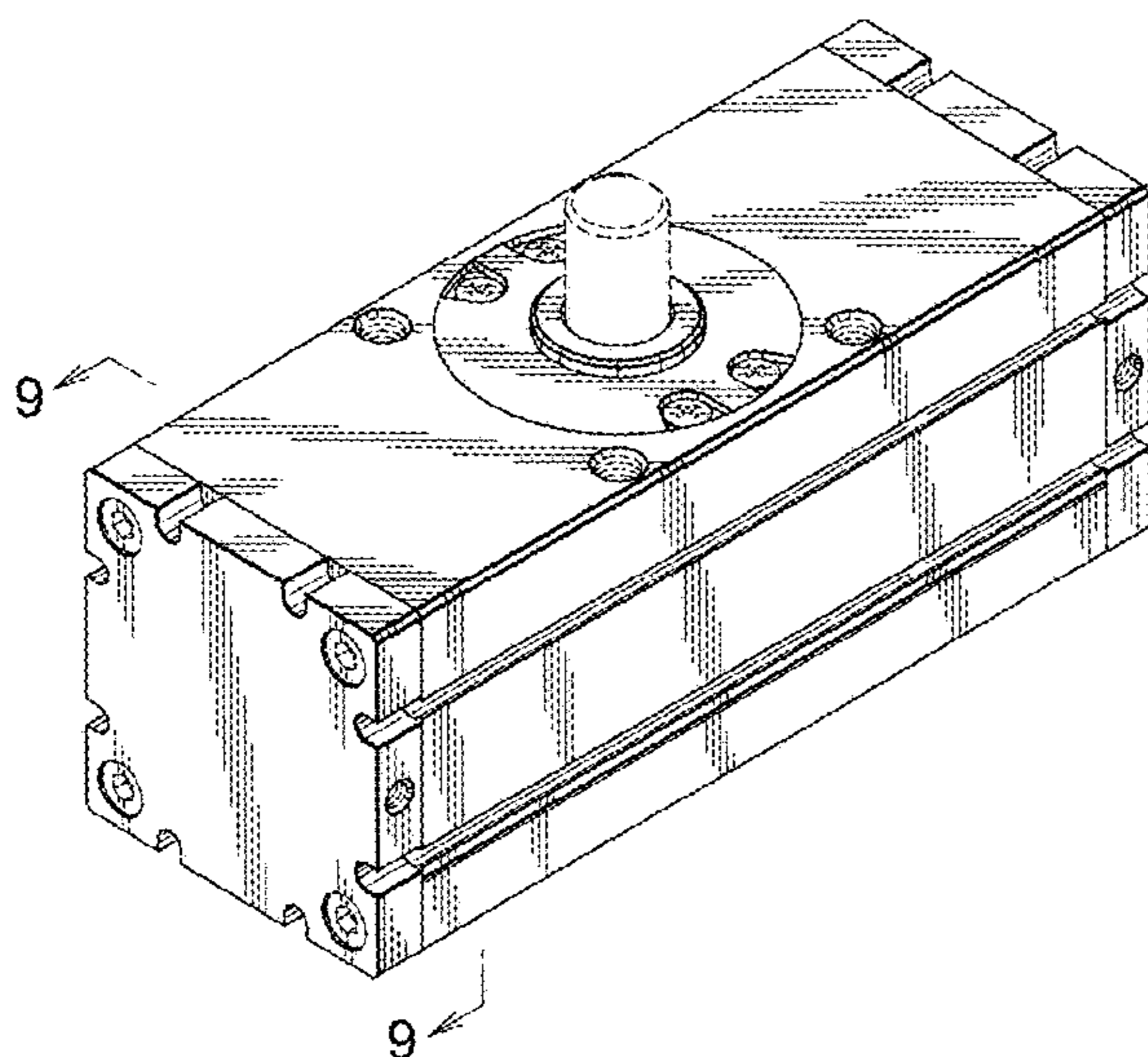


FIG. 1

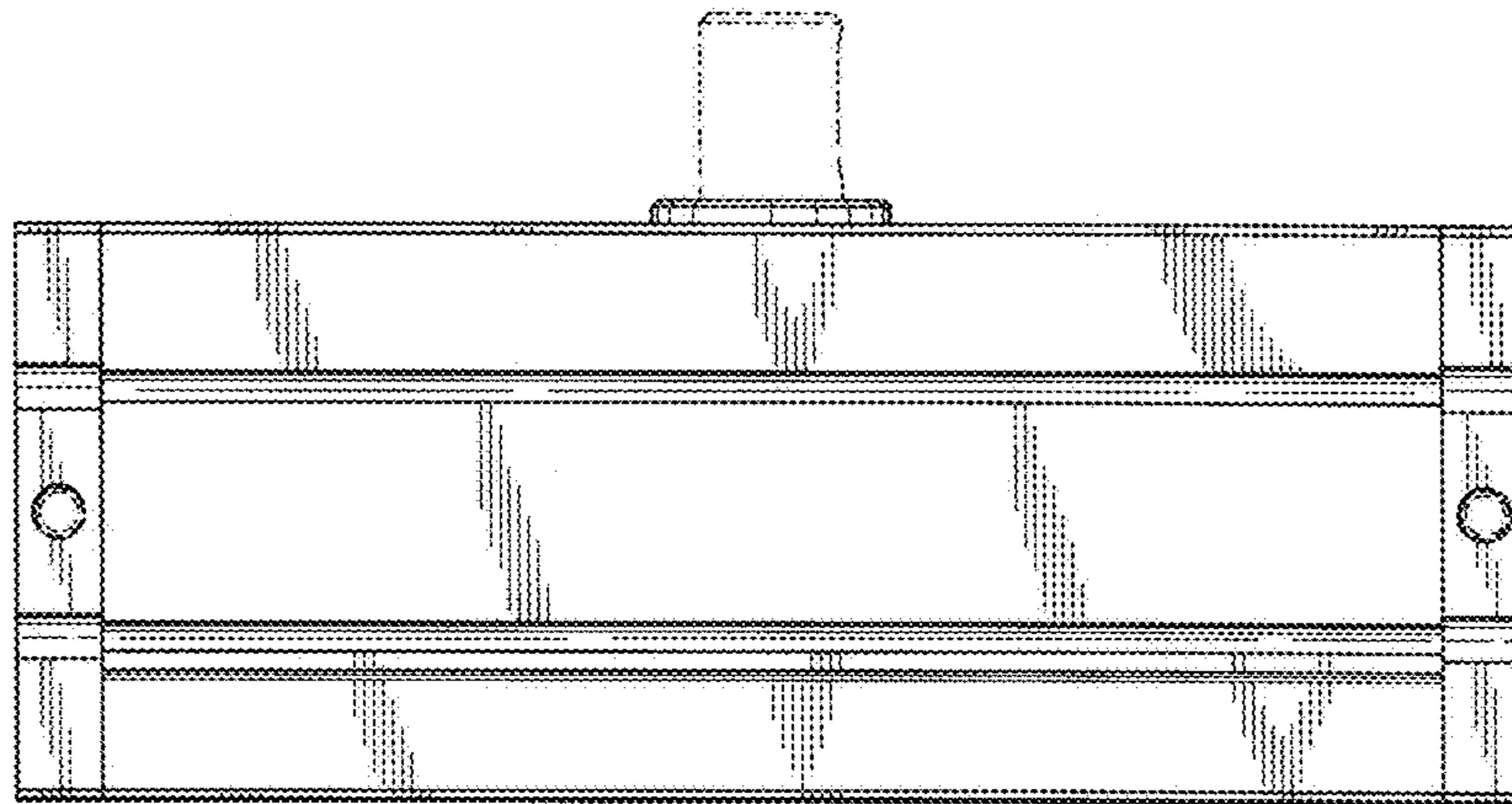


FIG. 2

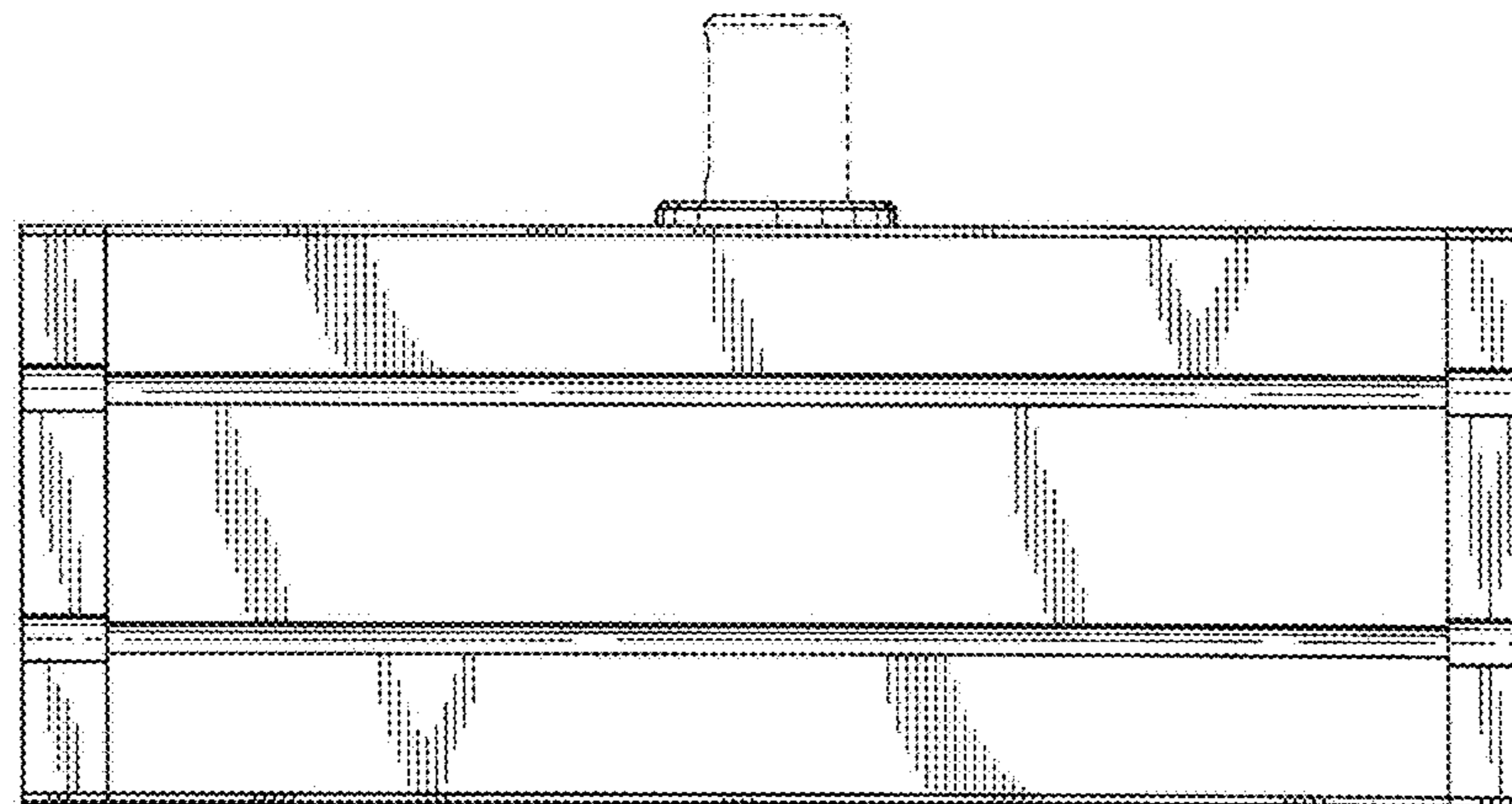


FIG. 3

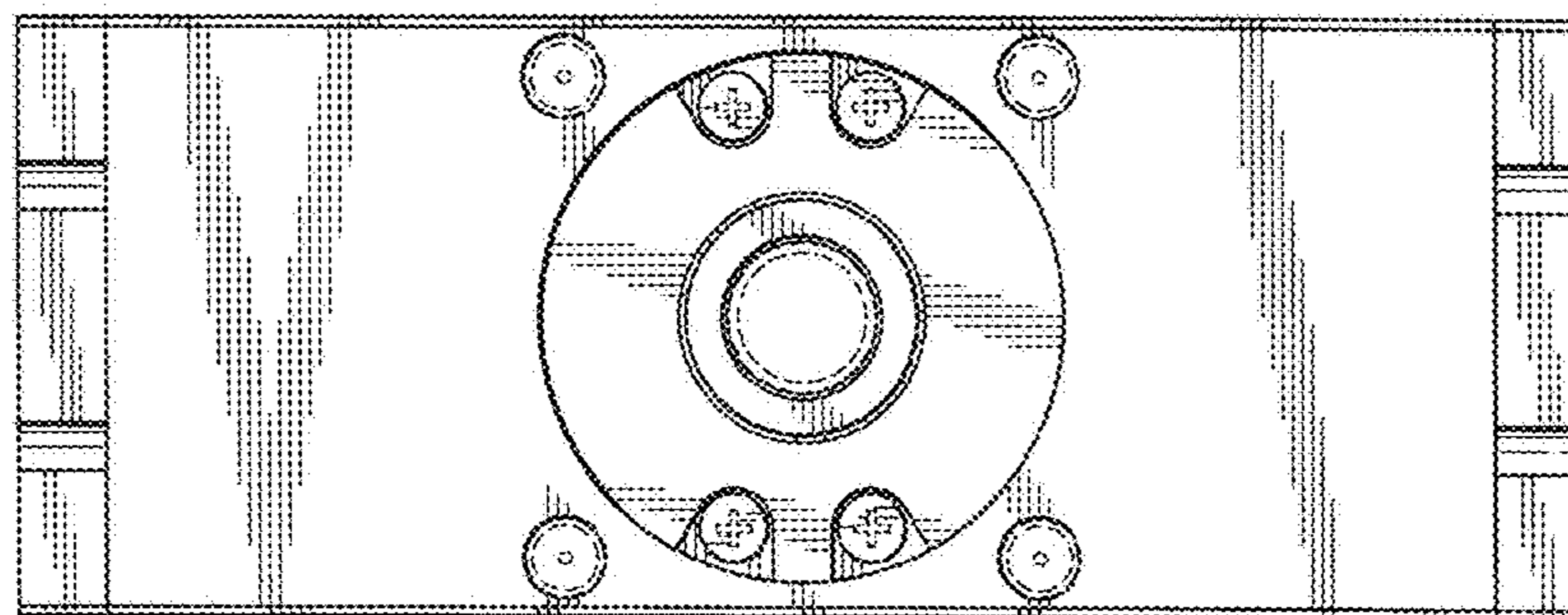


FIG. 4

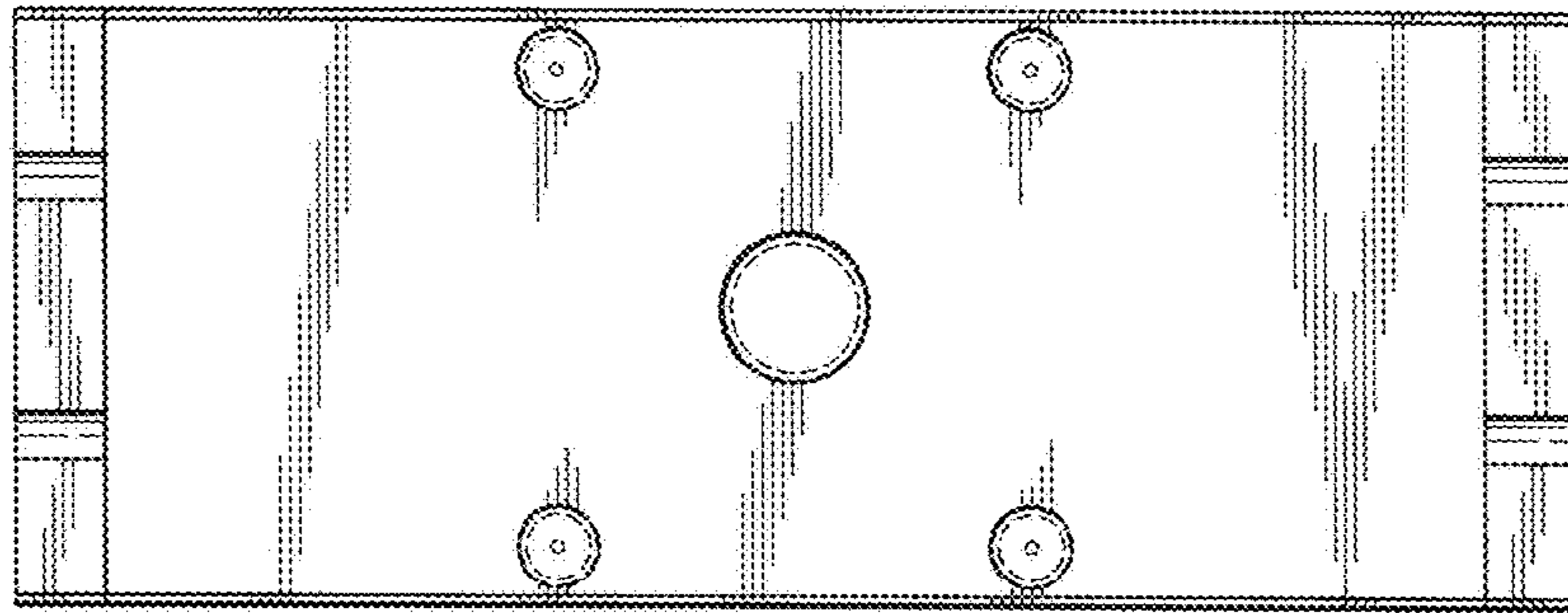


FIG. 5

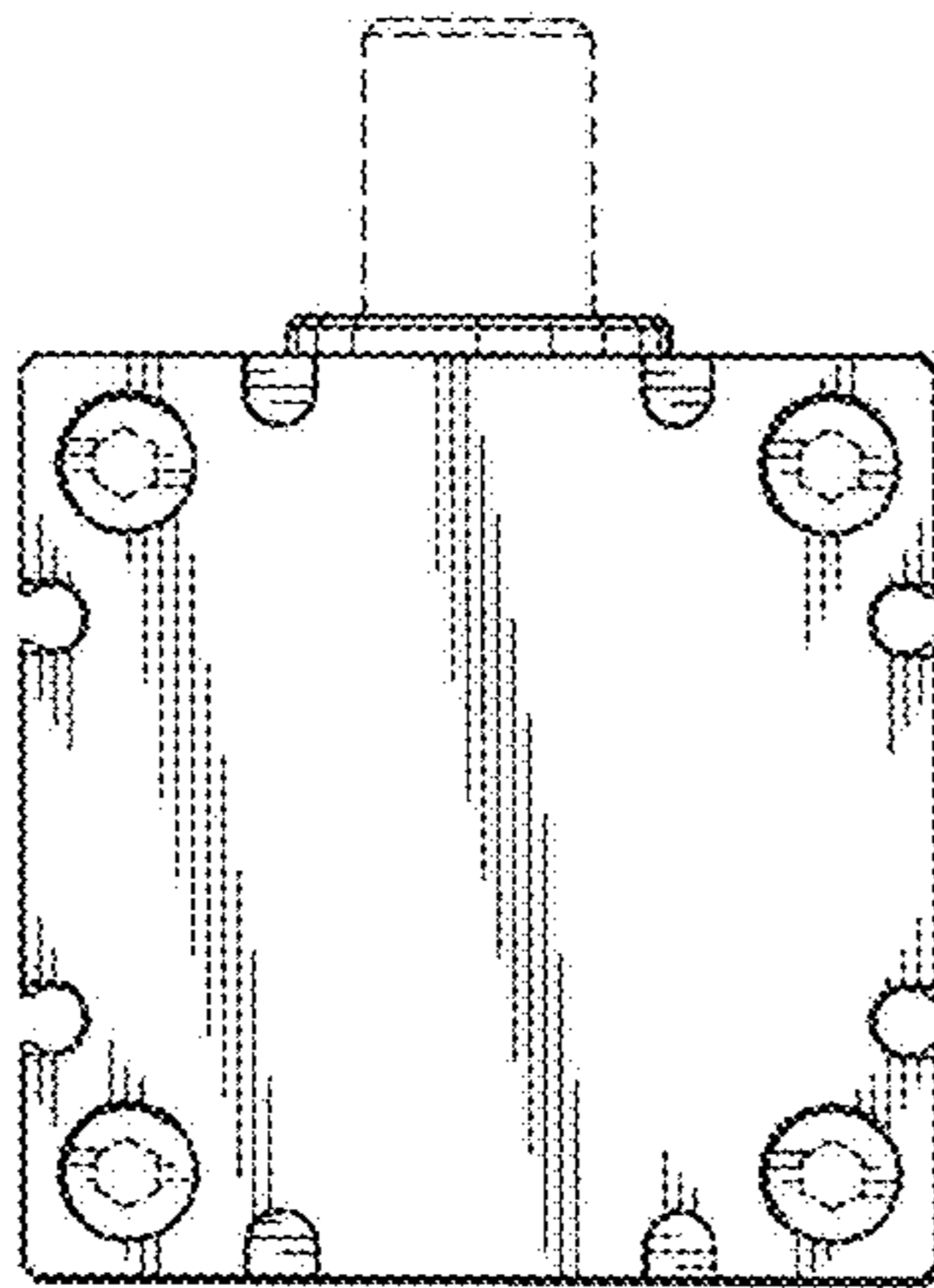


FIG. 6

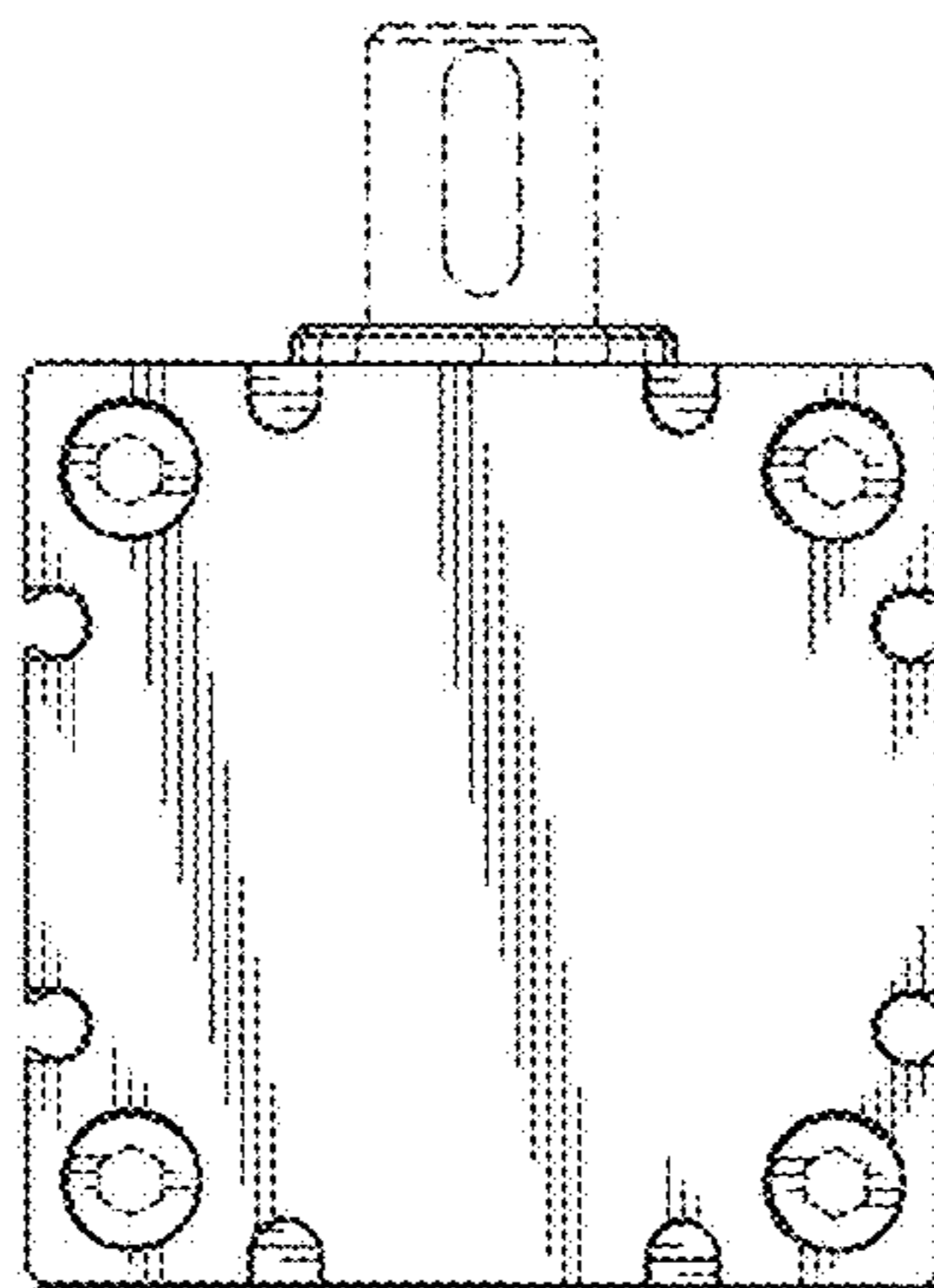


FIG. 7

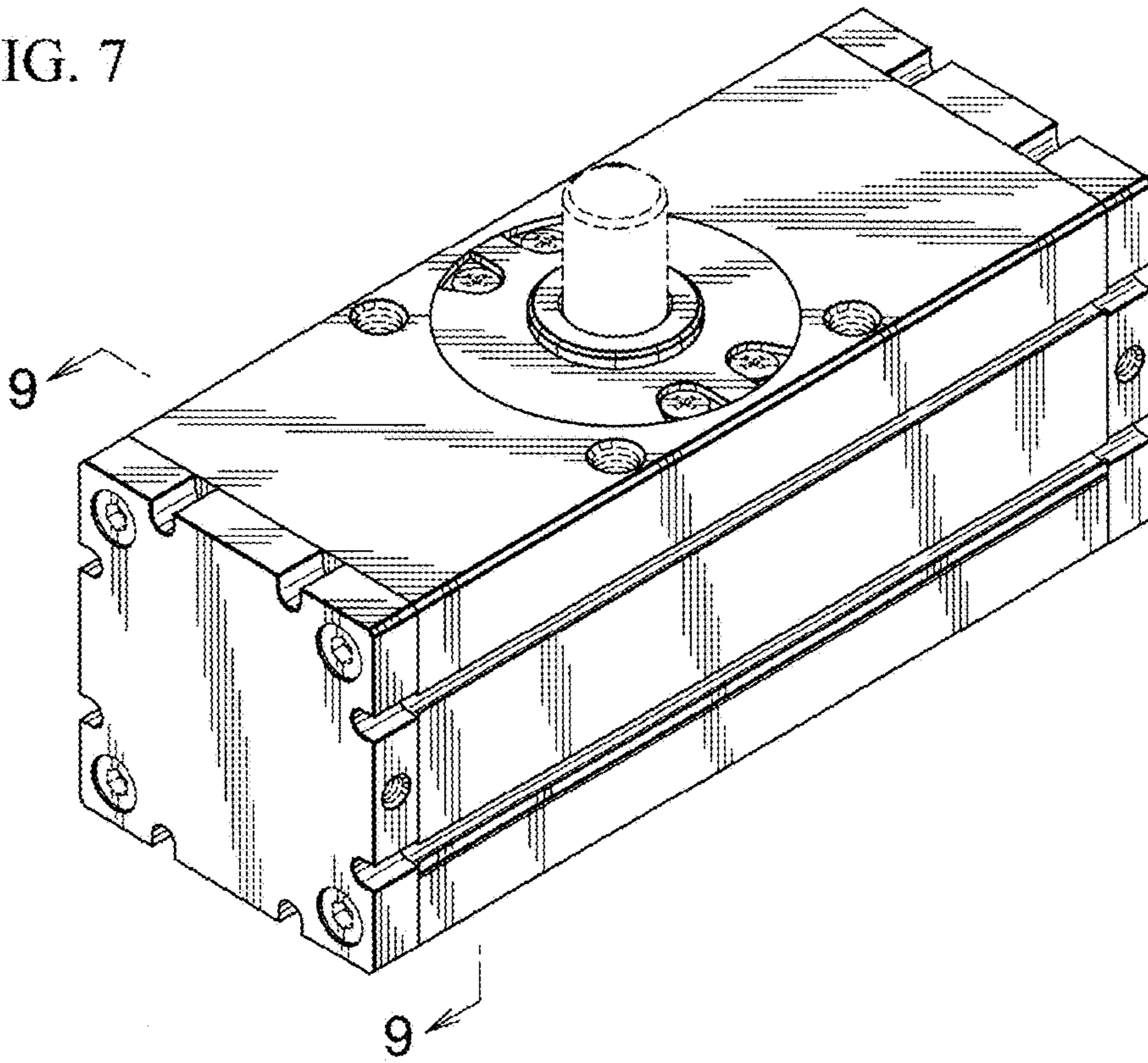


FIG. 8

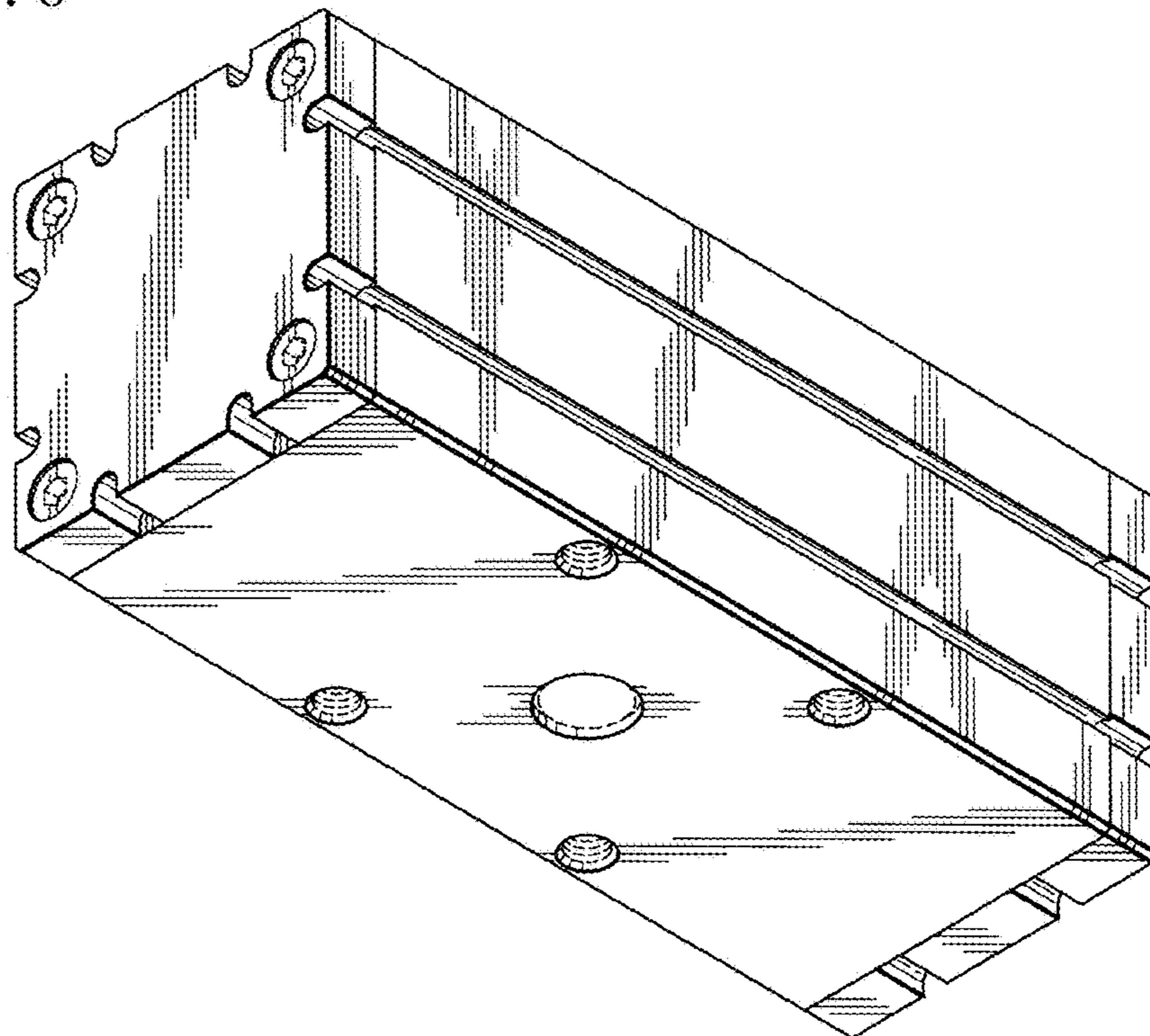


FIG. 9

