



US00D792914S

(12) **United States Design Patent**  
**Lee et al.**

(10) **Patent No.:** **US D792,914 S**  
(45) **Date of Patent:** **\*\* Jul. 25, 2017**

(54) **DOOR FOR REFRIGERATOR**

2317/0664; F25D 2321/147; F25D  
2323/02; F25D 2323/023

See application file for complete search history.

(71) Applicant: **Samsung Electronics Co., Ltd.**,  
Suwon-si (KR)

(72) Inventors: **Jeonghyun Lee**, Suwon-si (KR);  
**Yongbum Seo**, Hwaseong-si (KR);  
**Wooyeol Yoo**, Suwon-si (KR)

(73) Assignee: **SAMSUNG ELECTRONICS CO.,  
LTD.**, Gyeonggi-Do (KR)

(\*\*) Term: **15 Years**

(21) Appl. No.: **29/568,384**

(22) Filed: **Jun. 17, 2016**

(30) **Foreign Application Priority Data**

Dec. 24, 2015 (KR) ..... 30-2015-0066233

(51) **LOC (10) Cl.** ..... **15-07**

(52) **U.S. Cl.**  
USPC ..... **D15/89**

(58) **Field of Classification Search**

USPC ..... D15/79-91

CPC ..... F25D 25/025; F25D 23/028; F25D  
2323/024; F25D 23/00; F25D 23/02;  
F25D 2323/021; F25D 23/065; F25D  
11/00; F25D 2201/14; F25D 23/021;  
F25D 23/025; F25D 23/04; F25D 27/00;  
F25D 23/062; F25D 23/067; F25D  
2400/18; F25D 23/08; F25D 23/085;  
F25D 2500/02; F25D 25/00; F25D  
25/005; F25D 25/022; F25D 25/024;  
F25D 17/047; F25D 2317/041; F25D  
2317/04131; F25D 2317/043; F25D

(56) **References Cited**

U.S. PATENT DOCUMENTS

D335,089	S	*	4/1993	Grubelnik	.....	D10/64
D408,716	S	*	4/1999	Vesledahl	.....	D8/354
D750,984	S	*	3/2016	Ben Josef	.....	D10/69
D756,427	S	*	5/2016	Ogg	.....	D15/89
D756,428	S	*	5/2016	Ogg	.....	D15/89
D757,129	S	*	5/2016	Ogg	.....	D15/89
D764,890	S	*	8/2016	Shoemaker	.....	D15/89
D771,162	S	*	11/2016	Lee	.....	D15/91
D776,173	S	*	1/2017	Kim	.....	D15/91

\* cited by examiner

*Primary Examiner* — Ian Simmons

*Assistant Examiner* — Khawaja Anwar

(74) *Attorney, Agent, or Firm* — Cantor Colburn LLP

(57) **CLAIM**

The ornamental design for a door for refrigerator, as shown and described.

**DESCRIPTION**

FIG. 1 is a perspective view of a door for refrigerator, showing our new design;  
FIG. 2 is a front view thereof;  
FIG. 3 is a rear view thereof;  
FIG. 4 is a side view thereof;  
FIG. 5 is another side view thereof;  
FIG. 6 is a top view thereof;  
FIG. 7 is a bottom view thereof;  
FIG. 8 is an enlarged partial perspective view thereof;  
FIG. 9 is an enlarged partial front view thereof;  
FIG. 10 is an enlarged partial rear view thereof;  
FIG. 11 is an enlarged partial side view thereof;  
FIG. 12 is another enlarged partial side view thereof;  
FIG. 13 is an enlarged partial top view thereof;  
FIG. 14 is an enlarged partial bottom view thereof; and,

(Continued)

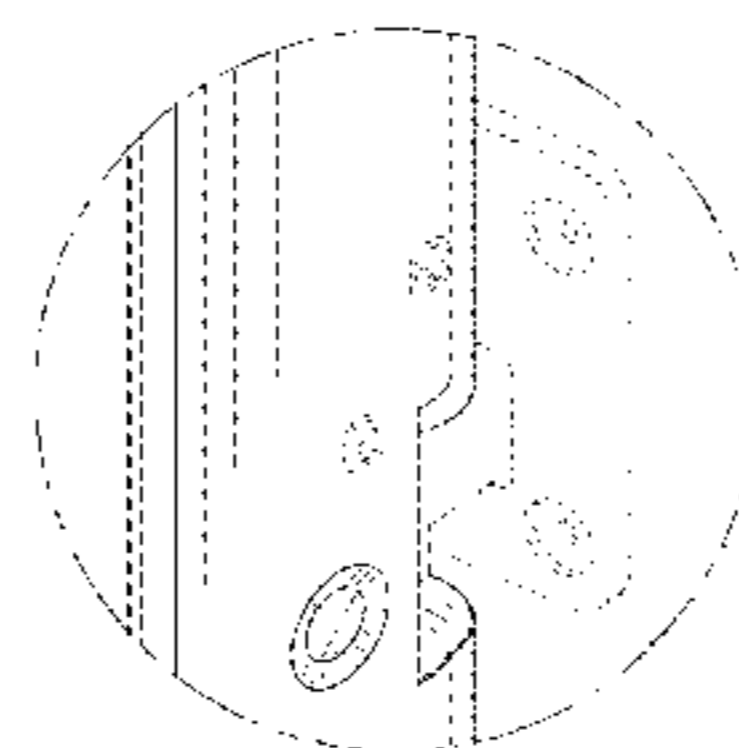
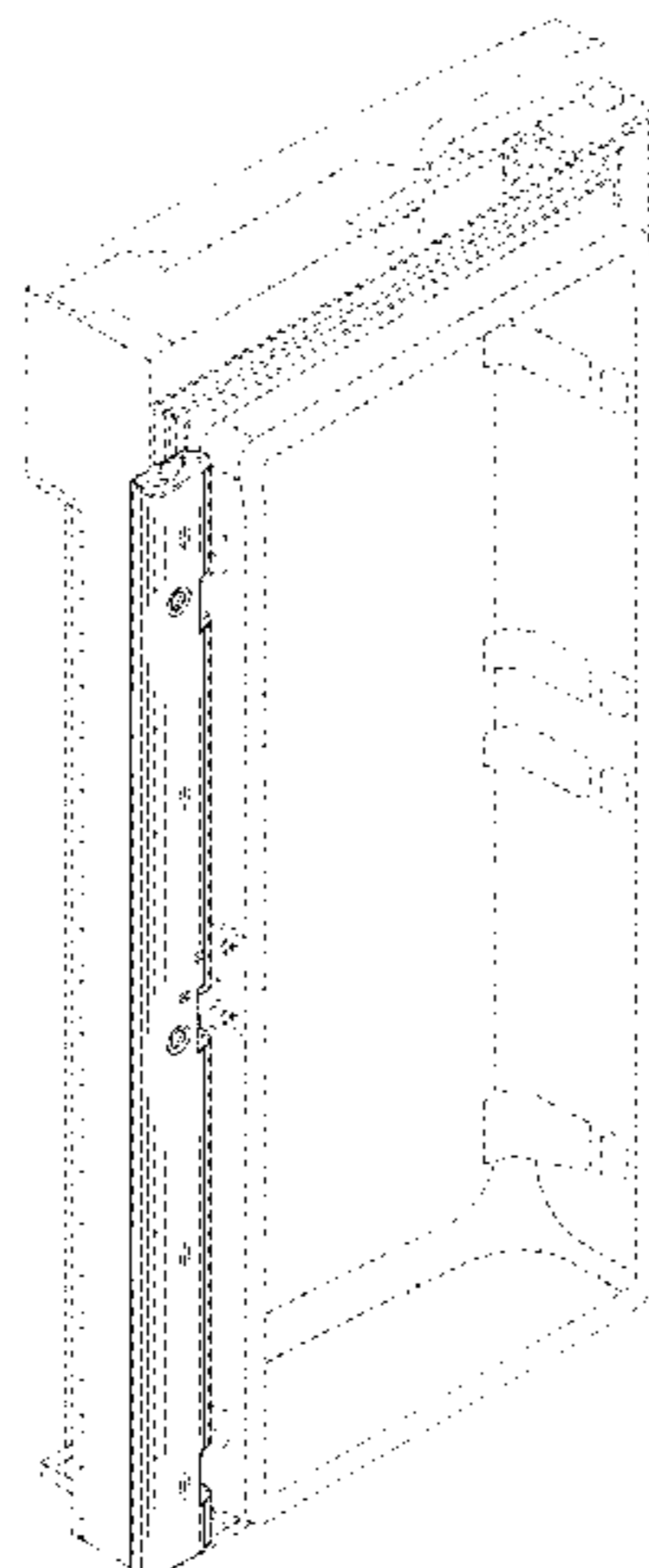


FIG. **15** is an enlarged view of the encircled portion **15**, as shown in **8**.

The broken lines illustrating portions of the door for refrigerator form no part of the claimed design.

The dot-dash broken lines encircling enlargement portions of the design form no part of the claimed design.

**1 Claim, 15 Drawing Sheets**

FIG. 1

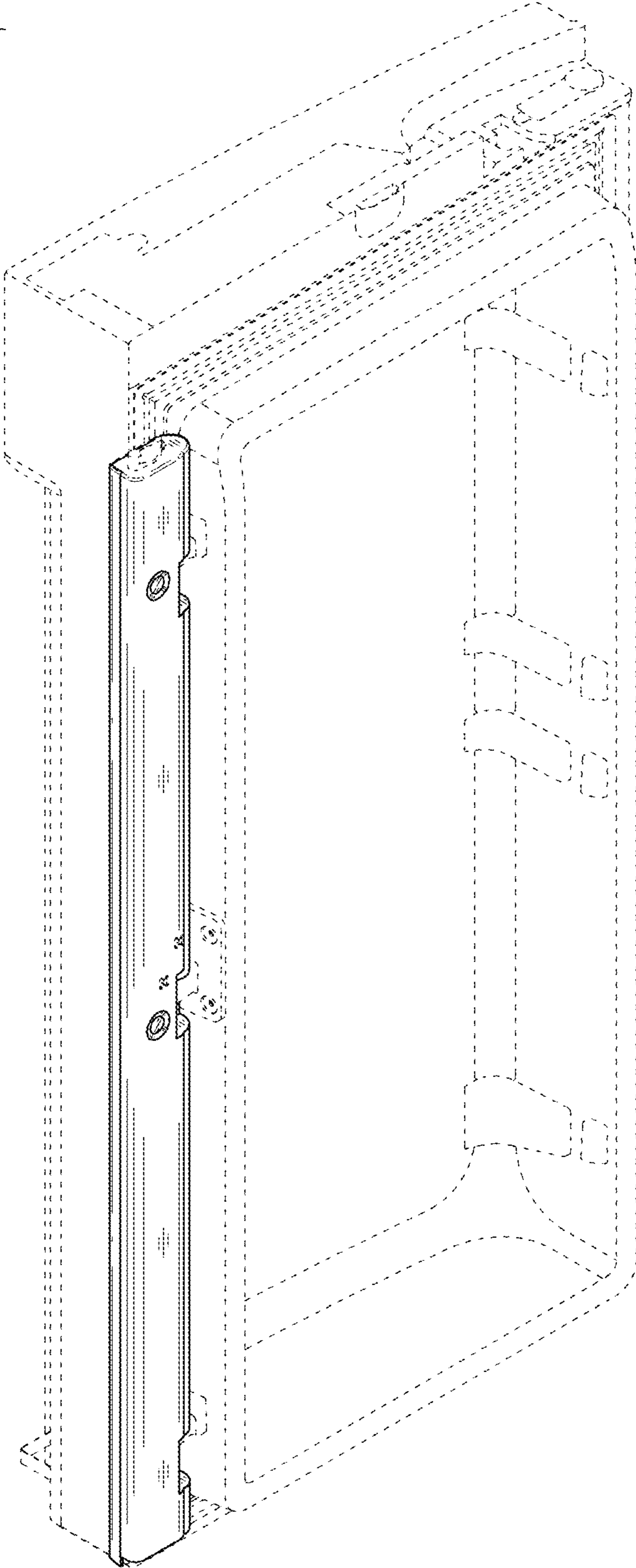


FIG. 2

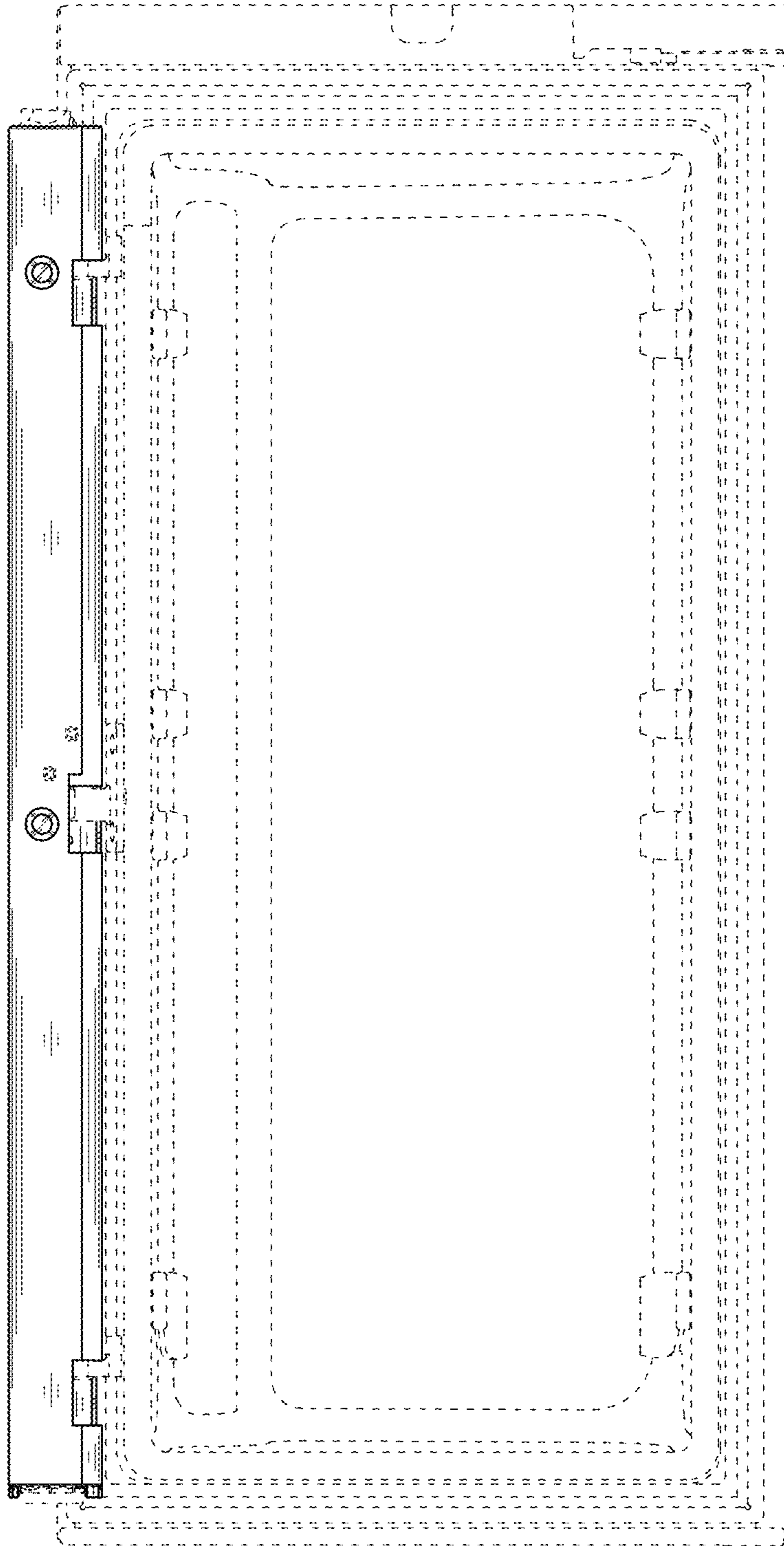


FIG. 3

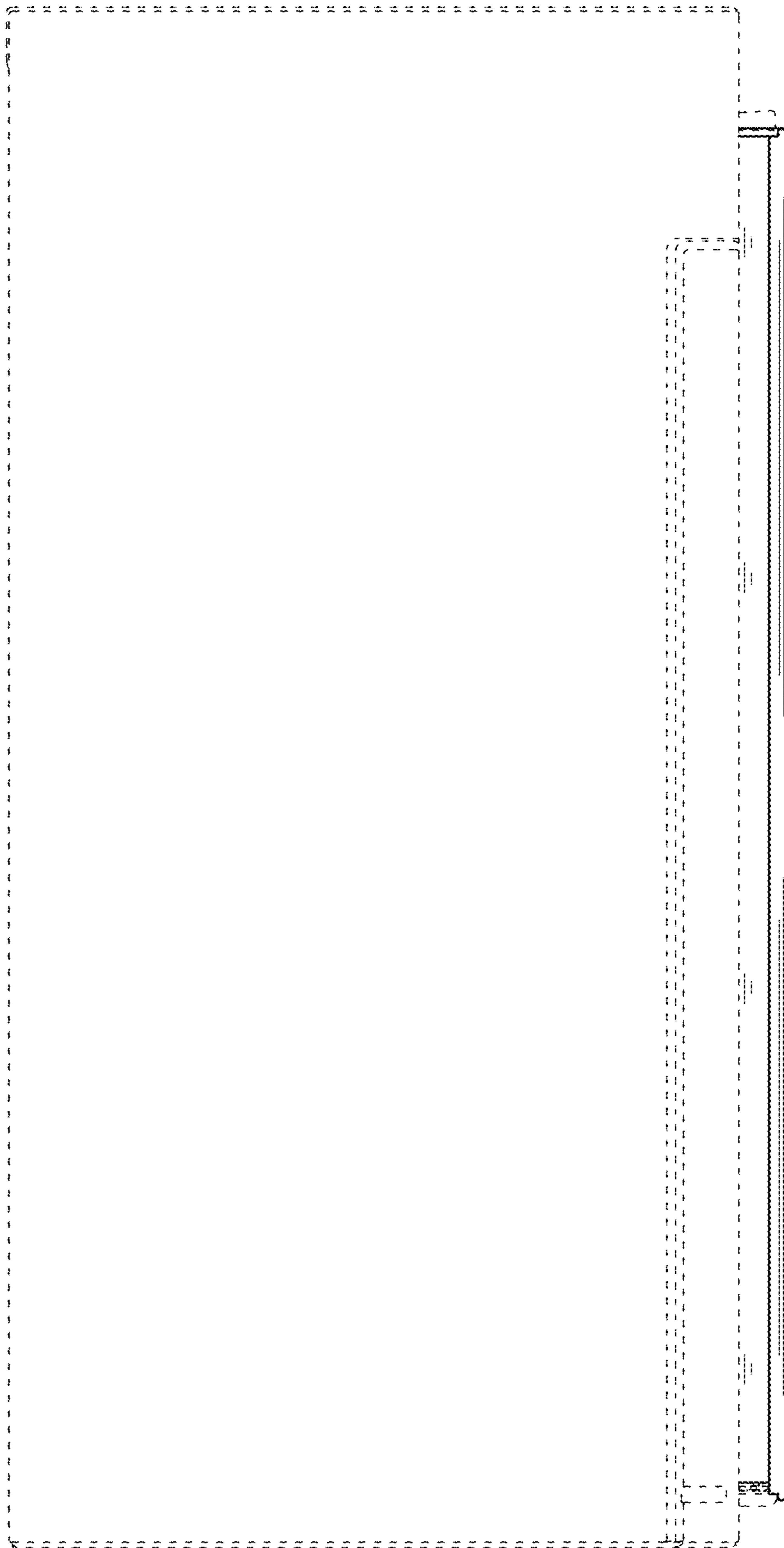


FIG. 4

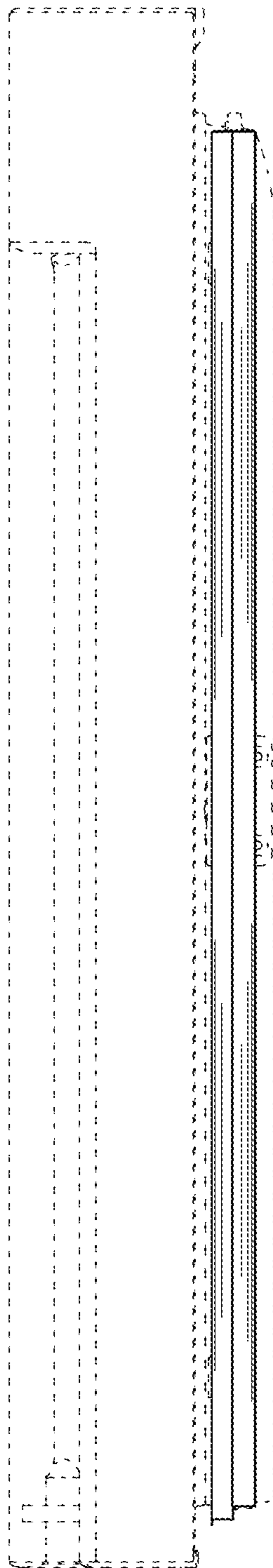


FIG. 5

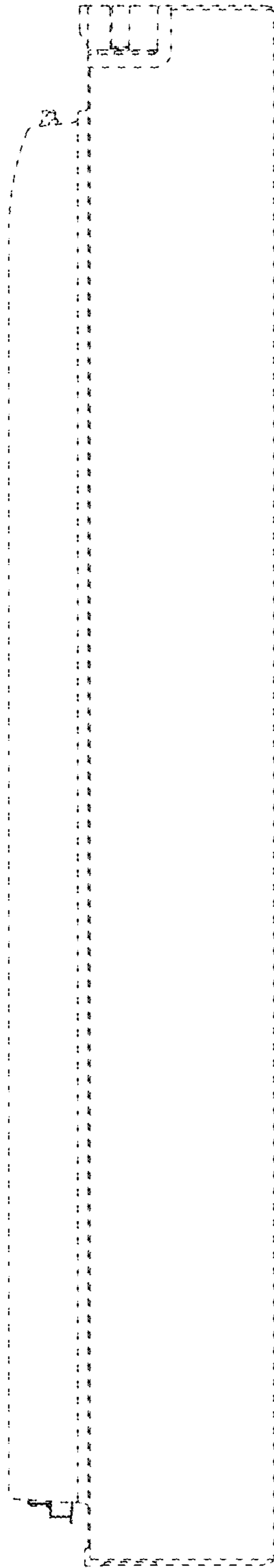


FIG. 6

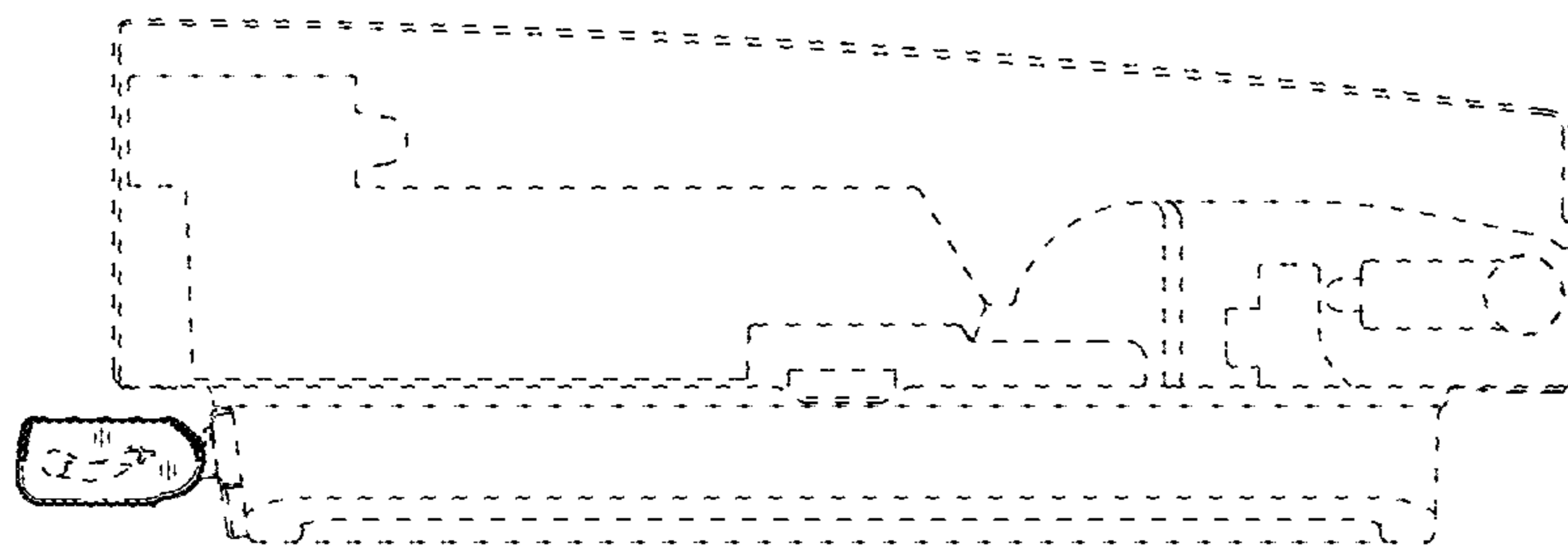




FIG. 7

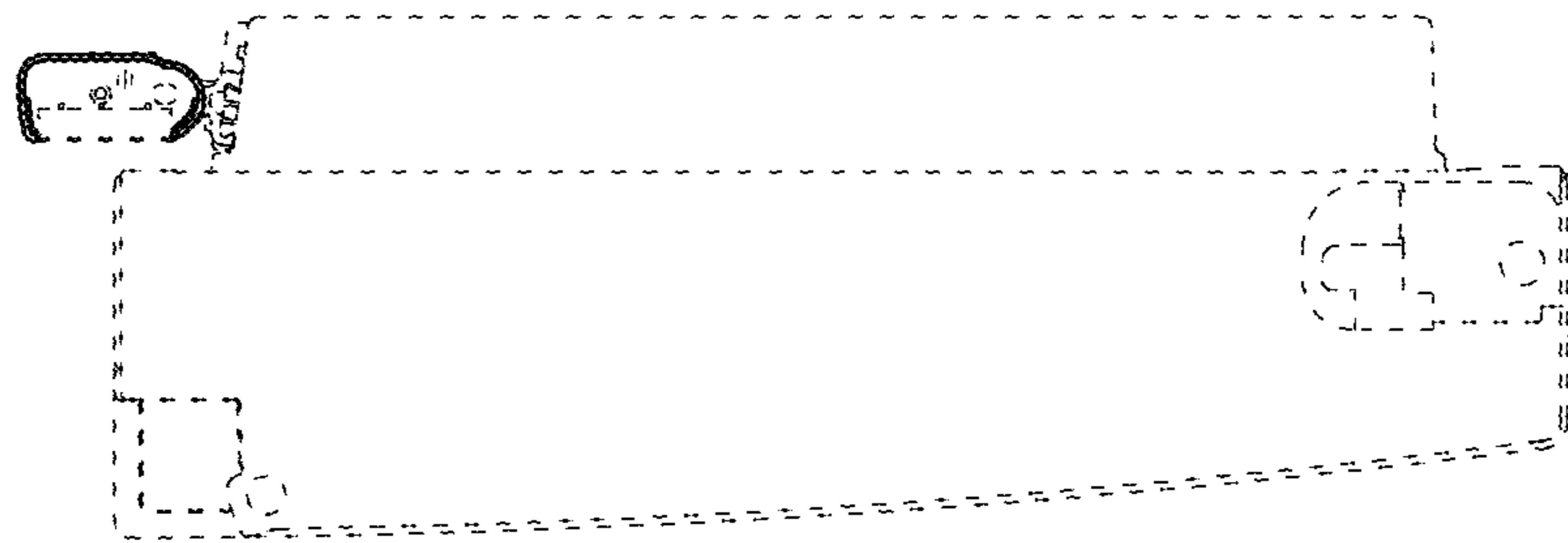


FIG. 8

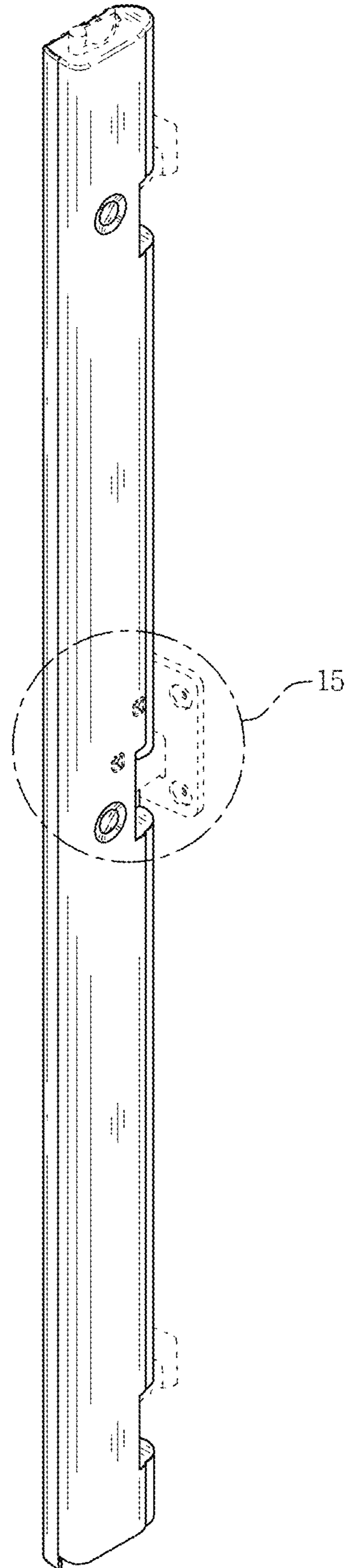


FIG. 9

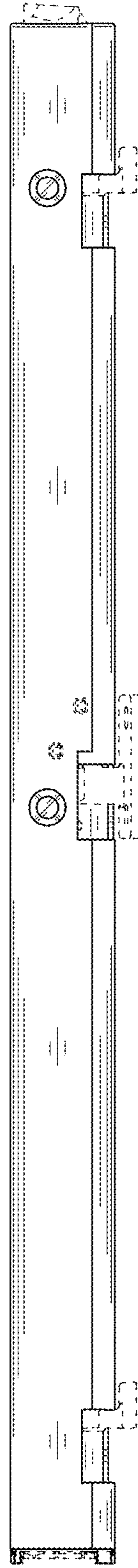


FIG. 10

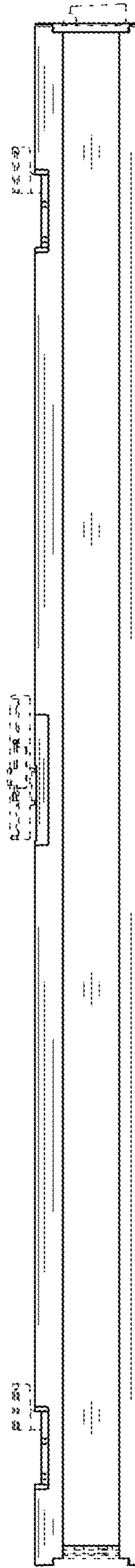


FIG. 11

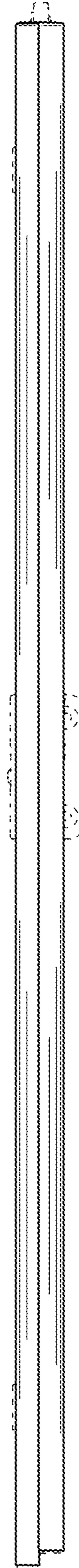


FIG. 12

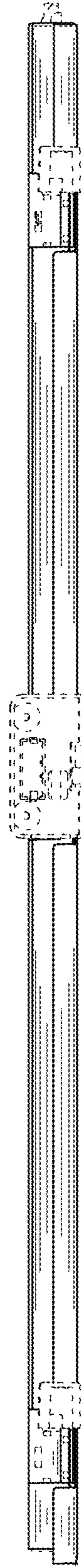


FIG. 13

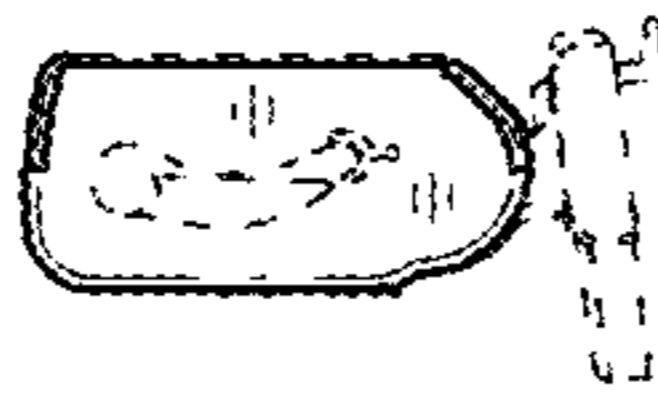


FIG. 14





FIG. 15

