



US00D792913S

(12) **United States Design Patent**
Guggino et al.

(10) **Patent No.:** **US D792,913 S**
(45) **Date of Patent:** **** Jul. 25, 2017**

(54) **ADJUSTABLE ANGLE PLOW**

(71) Applicant: **Pro-Tech Manufacturing and Distribution, Inc.**, Rochester, NY (US)

(72) Inventors: **Michael J. Guggino**, Bloomfield, NY (US); **James Maier**, Ontario, NY (US); **Thomas B. Maier**, Oakfield, NY (US)

(73) Assignee: **Pro-Tech Manufacturing and Distribution, Inc.**, Rochester, NY (US)

(**) Term: **15 Years**

(21) Appl. No.: **29/568,991**

(22) Filed: **Jun. 22, 2016**

(51) **LOC (10) Cl.** **15-03**

(52) **U.S. Cl.**
USPC **D15/32**

(58) **Field of Classification Search**
USPC D15/10, 11, 22-26, 28, 32
CPC E01H 5/06-5/062; E02F 3/76-3/848
See application file for complete search history.

(56) **References Cited**

U.S. PATENT DOCUMENTS

| | | | | | |
|-----------|------|---------|-----------|-------|-----------------------|
| 5,121,562 | A * | 6/1992 | Feller | | E02F 3/80 37/232 |
| 5,724,755 | A * | 3/1998 | Weagley | | E01H 5/06 37/231 |
| D395,436 | S * | 6/1998 | Hagenbuch | | D15/32 |
| 6,151,808 | A * | 11/2000 | Curtis | | E01H 5/066 254/423 |
| 6,425,196 | B1 * | 7/2002 | Weagley | | E01H 5/065 172/393 |
| 6,470,604 | B1 * | 10/2002 | Foster | | E01H 5/06 37/267 |
| 6,560,904 | B2 * | 5/2003 | Guggino | | E01H 5/065 37/233 |
| 6,845,576 | B2 * | 1/2005 | Vennard | | E01H 5/066 172/832 |

(Continued)

OTHER PUBLICATIONS

Western Products, Prodigy & Pro Plus, Owner's Manual, 24 pages; Western Products, PO Box 245038, Milwaukee, WI, 53224-9538; www.westernplows.com; Jul. 15, 2013.

(Continued)

Primary Examiner — Mark Goodwin

(74) *Attorney, Agent, or Firm* — Duane C. Basch; Basch & Nickerson LLP

(57) **CLAIM**

The ornamental design for an adjustable angle plow attachment, as shown and described.

DESCRIPTION

FIG. 1 is a perspective view of the top, rear and left sides of an adjustable angle plow shown in a typical use configuration;

FIG. 2 is a rear elevation view of the adjustable angle plow;

FIG. 3 is a right side elevation view of the adjustable angle plow;

FIG. 4 is a front elevation view of the adjustable angle plow;

FIG. 5 is a left side elevation view of the adjustable angle plow;

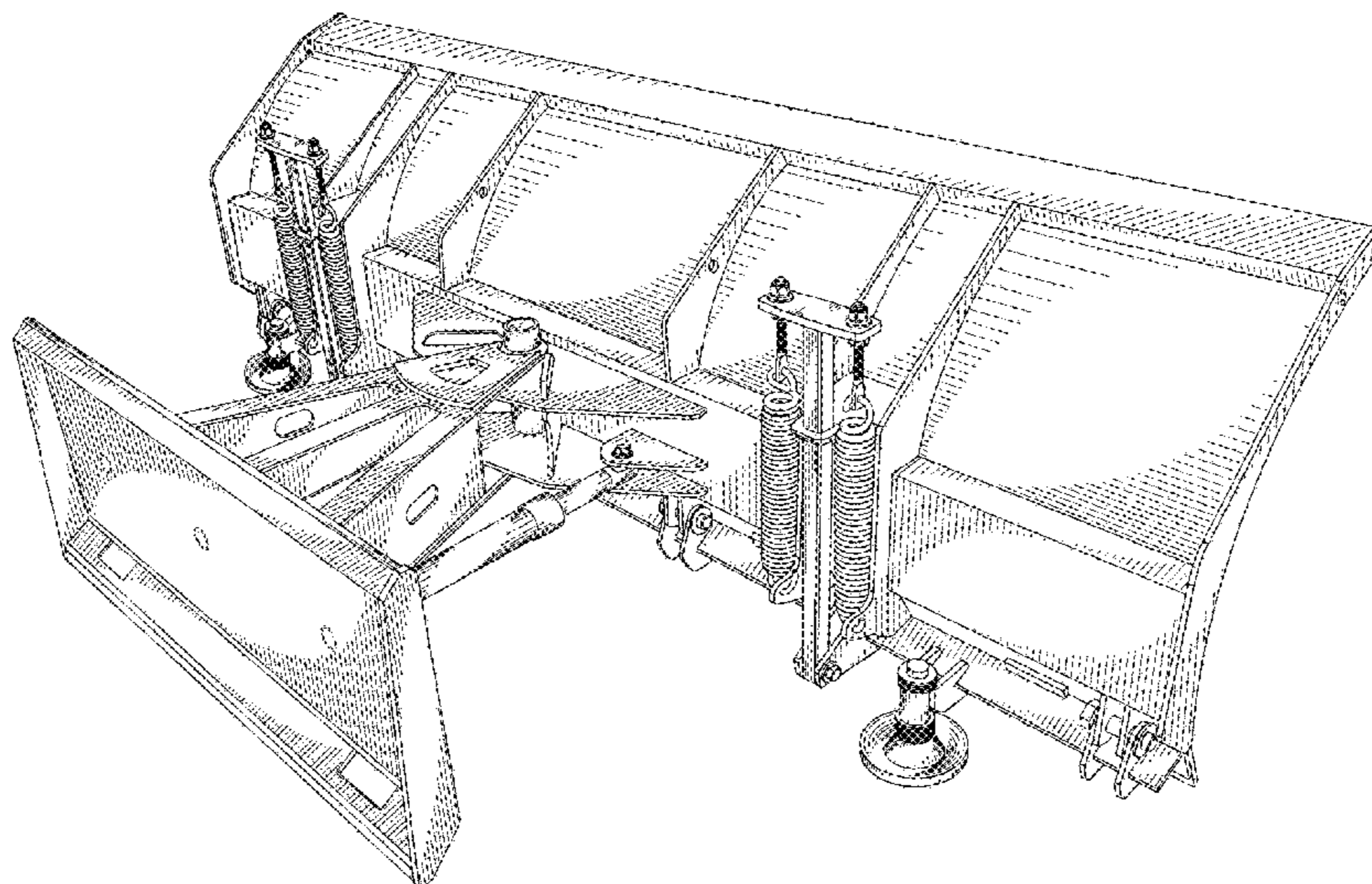
FIG. 6 is a top plan view of the adjustable angle plow; and,

FIG. 7 is a bottom plan view of the adjustable angle plow.

The broken-lines in the above-described figures are for illustrative purposes only, and form no part of the claimed design.

The claimed adjustable angle plow may be used in conjunction with the plowing of snow and similar materials by attachment to a skid steer or similar loader.

1 Claim, 7 Drawing Sheets



(56)

References Cited

U.S. PATENT DOCUMENTS

6,938,701 B2 * 9/2005 Matsumoto E02F 3/7618
 172/811
 7,191,846 B2 * 3/2007 Matsumoto E02F 3/815
 172/811
 7,401,658 B2 * 7/2008 Matsumoto E02F 3/7613
 172/811
 7,555,853 B2 * 7/2009 Paonessa E01H 5/062
 172/261
 7,654,016 B2 * 2/2010 Stephan E01H 5/06
 172/273
 7,658,022 B2 * 2/2010 Strait E01H 5/063
 37/232
 7,779,563 B2 * 8/2010 Mills E01H 5/066
 37/232
 8,191,288 B2 * 6/2012 Weagley E01H 5/06
 172/702
 D672,370 S * 12/2012 Becker D15/28
 D692,927 S * 11/2013 Jones D15/32
 8,621,769 B2 * 1/2014 Weagley E01H 5/06
 37/232

8,887,413 B2 * 11/2014 Miller E02F 3/8155
 37/279
 9,151,006 B2 * 10/2015 Guggino E02F 3/962
 9,243,376 B2 * 1/2016 Guggino E01H 5/066
 D749,151 S * 2/2016 McAdam D15/32
 D749,650 S * 2/2016 McAdam D15/32
 2005/0126051 A1 * 6/2005 Fatemi E01H 5/066
 37/266
 2006/0218822 A1 * 10/2006 Hosmer E01H 5/06
 37/231

OTHER PUBLICATIONS

Meyer Products, LLC, Skid Steer; Brochure, 4 pages; Meyer Products, LLC, 18513 Euclid Ave., Cleveland, Ohio, 44112; www.meyerproducts.com; 2010.
 Western, Skid Steer Snowplow Gallery, 1 page; Douglas Dynamics, LLC; www.westernplows.com/gallery/skid-steer-plow/; Nov. 1, 2016.
 Western Skid Steer Snowplow, webpage, 1 page; www.westernplows.com/products/skid-steer/.

* cited by examiner

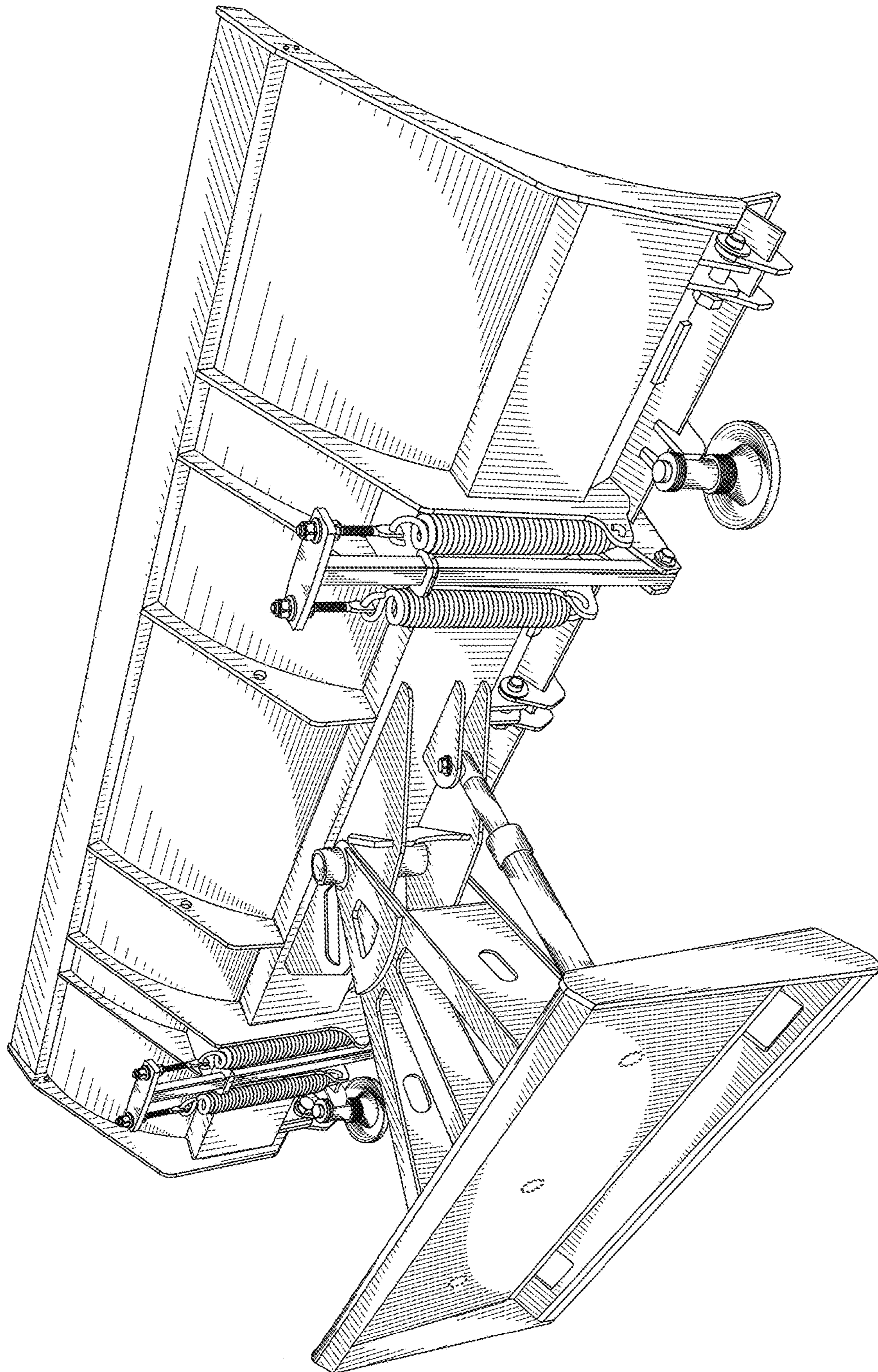


FIG. 1

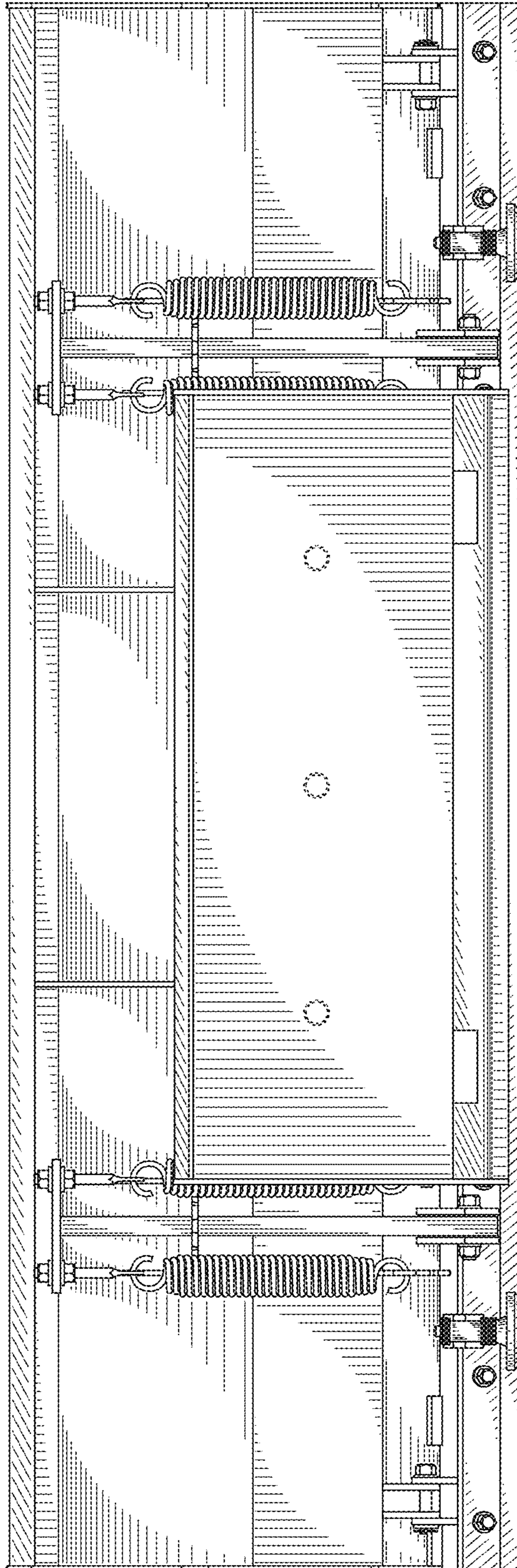


FIG. 2

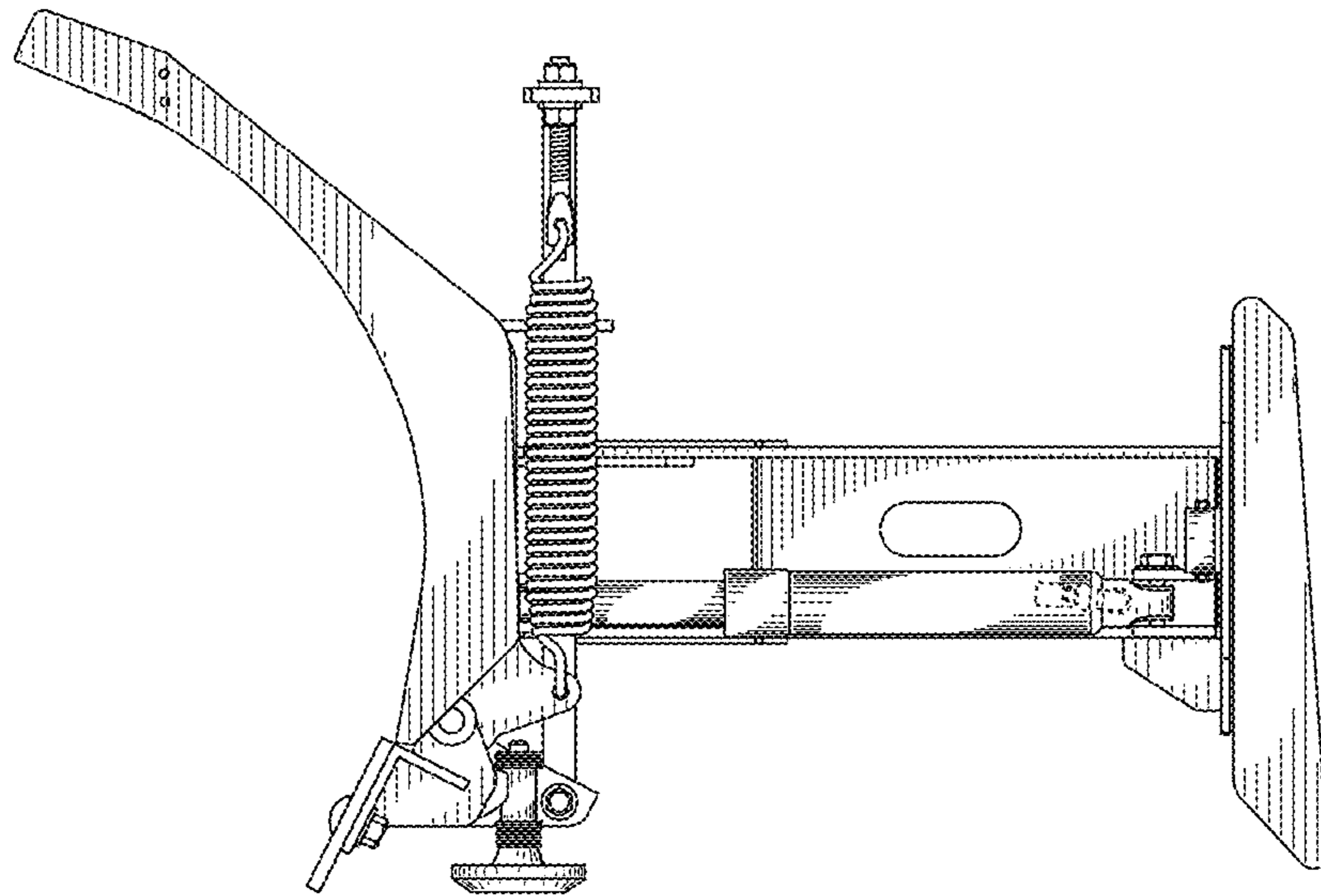


FIG. 3

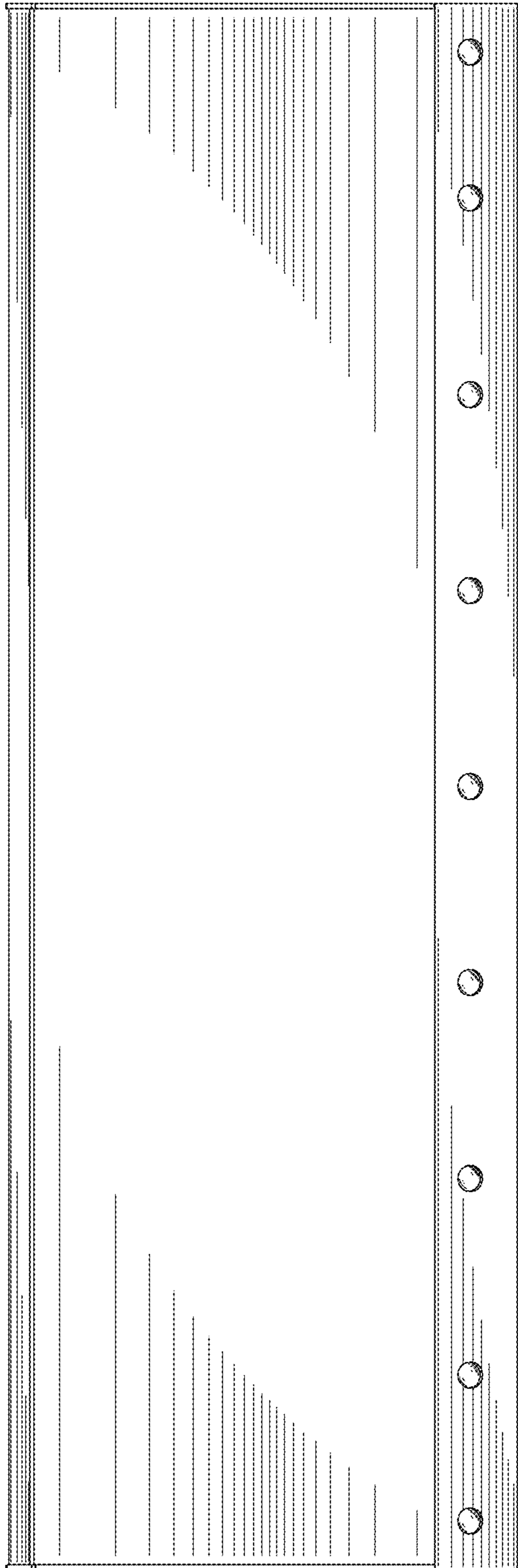


FIG. 4

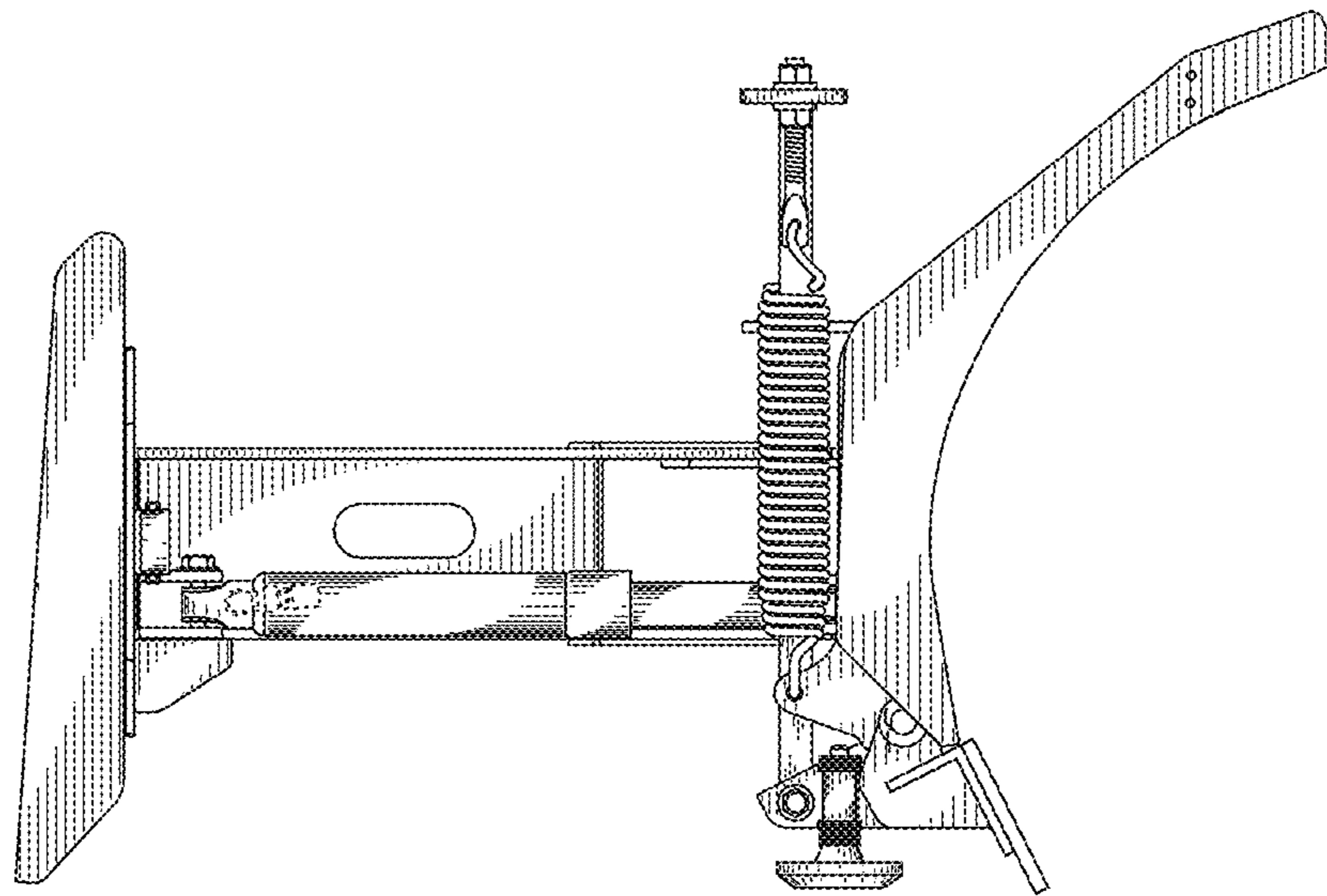


FIG. 5

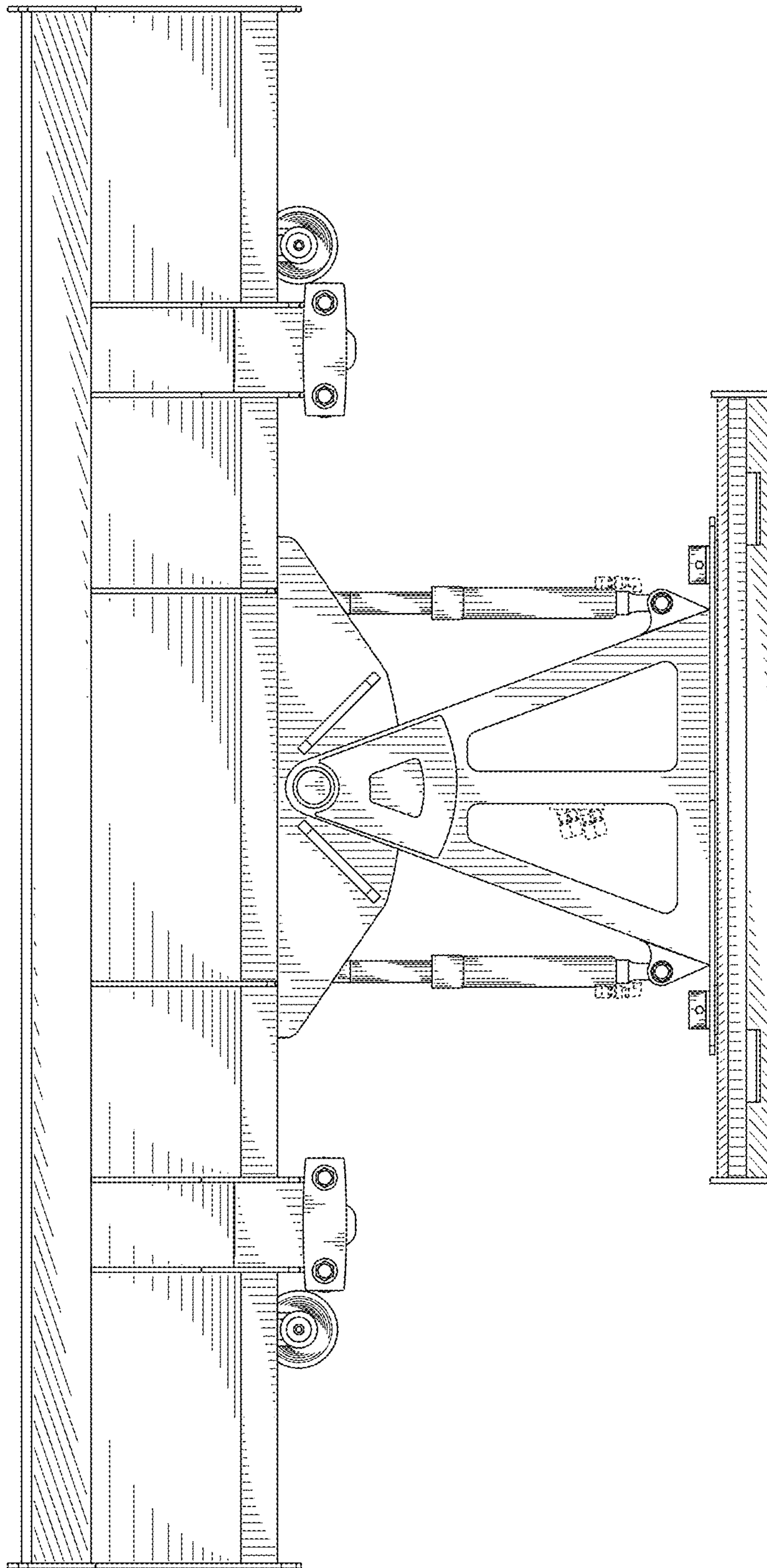
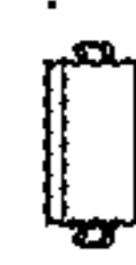


FIG. 6



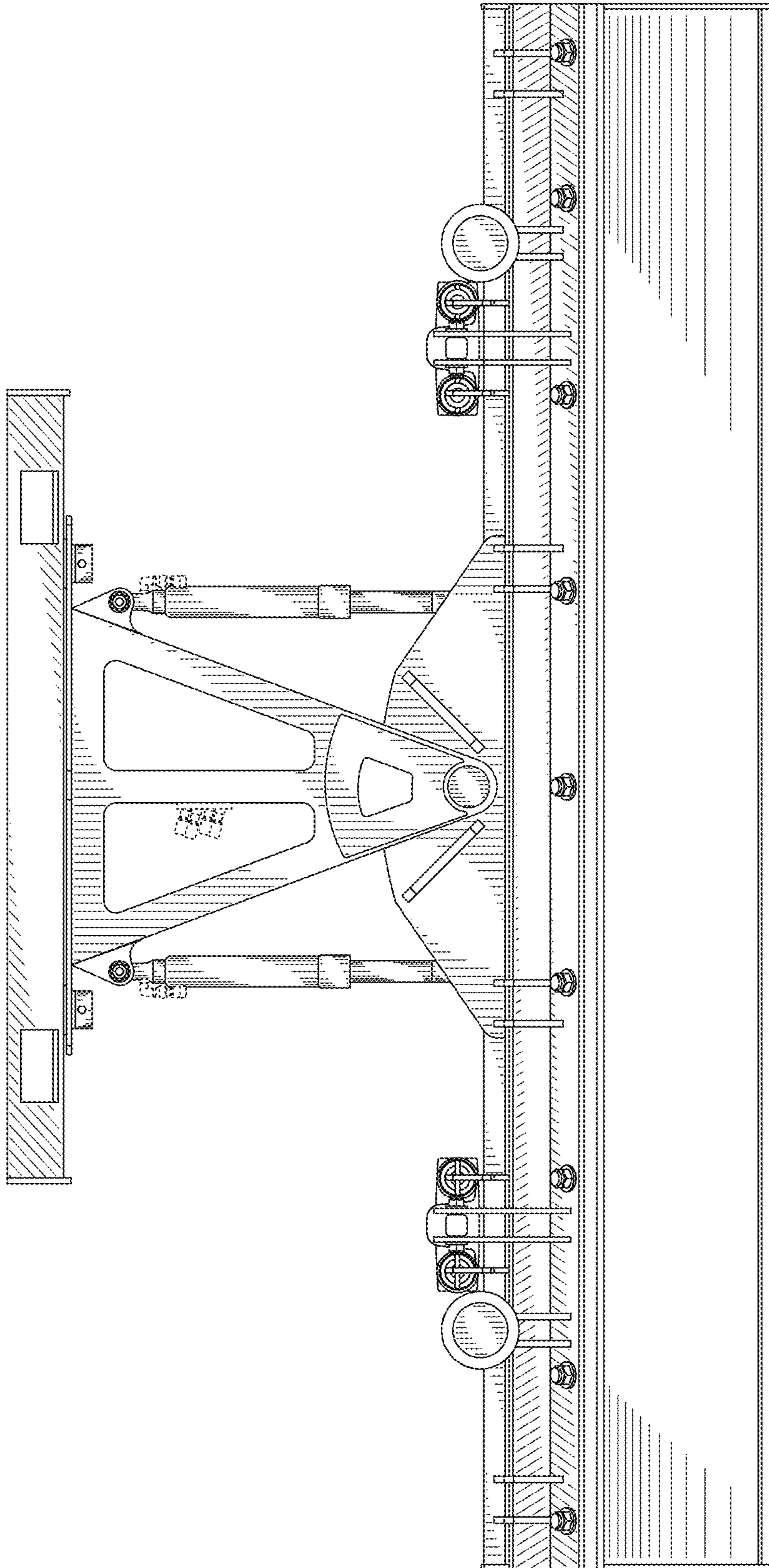


FIG. 7