



US00D792911S

(12) **United States Design Patent** (10) **Patent No.:** **US D792,911 S**
Kendall et al. (45) **Date of Patent:** **** Jul. 25, 2017**

(54) **IMPELLER**

(71) Applicants: **Jeffrey D. Kendall**, Laurel, MD (US);
Richard Sevrey, Bristol, IN (US)

(72) Inventors: **Jeffrey D. Kendall**, Laurel, MD (US);
Richard Sevrey, Bristol, IN (US)

(73) Assignee: **Earthway Products, Inc.**, Bristol, IN (US)

(**) Term: **14 Years**

(21) Appl. No.: **29/504,878**

(22) Filed: **Oct. 10, 2014**

(51) **LOC (10) Cl.** **15-01**

(52) **U.S. Cl.**
USPC **D15/5**

(58) **Field of Classification Search**
USPC D15/1-5, 7, 9; 123/559.1; 29/888.02;
418/178, 179, 1, 206.5; 415/9, 173.4,
415/174.4, 118; 464/127, 72, 74, 75;
D23/370, 375, 376, 377, 379, 411, 413,
D23/414

CPC F16D 2500/1068; F16D 3/70; F16D 3/64;
F16D 3/68; F16D 3/78; F16D 3/12; F16D
41/20; F16D 3/00; F02B 39/12; F02B
39/04; F02B 37/04; F02B 33/38; F02B
33/00; F02B 39/16; F02B 39/00; F04C
29/122; F04C 27/005; F04C 18/126;
F16C 1/00; F04D 29/005; F04D 27/0269;
F04D 29/424; F04D 29/4246; F04D
29/4253; F04D 25/088; F04D 29/22;
F04D 17/08; F04D 29/28; F04D 1/00;
F01D 17/146; F01D 17/143; F01D 17/16;
F01D 17/148; F05D 2220/40; F05D
2250/70; F05D 2240/12; F21V 33/0096

See application file for complete search history.

(56) **References Cited**

U.S. PATENT DOCUMENTS

D443,281 S *	6/2001	Sodergard	D15/7
2007/0015556 A1 *	1/2007	Johnson	A01F 12/40 460/111
2008/0279682 A1 *	11/2008	Wydra	F04D 17/08 415/206
2011/0182736 A1 *	7/2011	Wydra	F01D 5/048 416/185
2015/0071800 A1 *	3/2015	Lee	F04D 29/023 417/423.14
2015/0361987 A1 *	12/2015	Lin	A61M 1/1017 623/3.14

* cited by examiner

Primary Examiner — T. Chase Nelson

Assistant Examiner — Ania Aman

(74) *Attorney, Agent, or Firm* — Walter | Haverfield LLP;
James J. Pingor

(57) **CLAIM**

The ornamental design for an impeller, as shown and described.

DESCRIPTION

FIG. 1 is a top front perspective view of an impeller showing my new design;

FIG. 2 is a front view thereof;

FIG. 3 is a top view thereof;

FIG. 4 is a bottom view thereof;

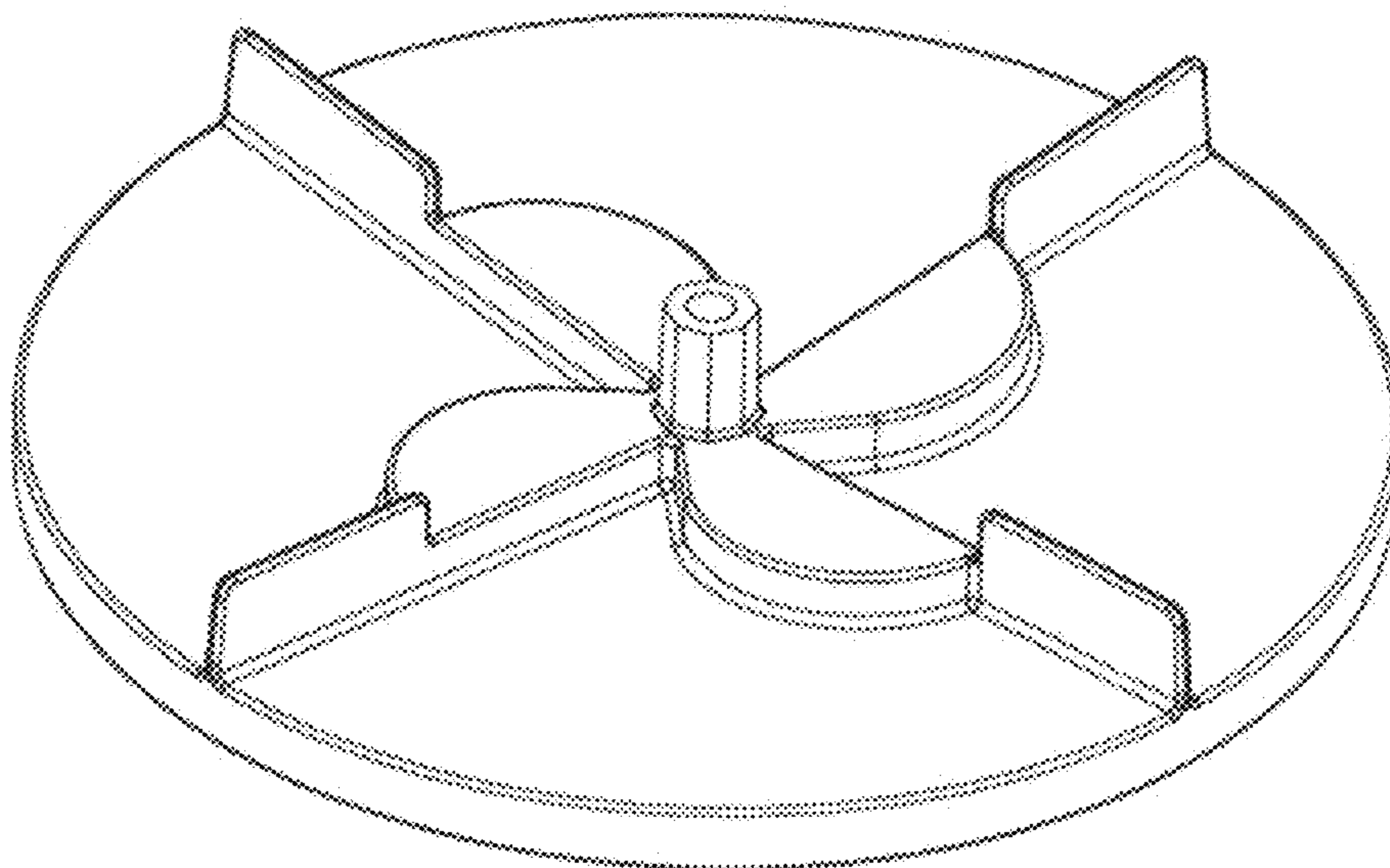
FIG. 5 is a left side view thereof;

FIG. 6 is a right side view thereof; and,

FIG. 7 is a rear view thereof.

The broken lines shown in FIG. 4 are for the purpose of illustrating portions of the article that form no part of the claimed design.

1 Claim, 7 Drawing Sheets



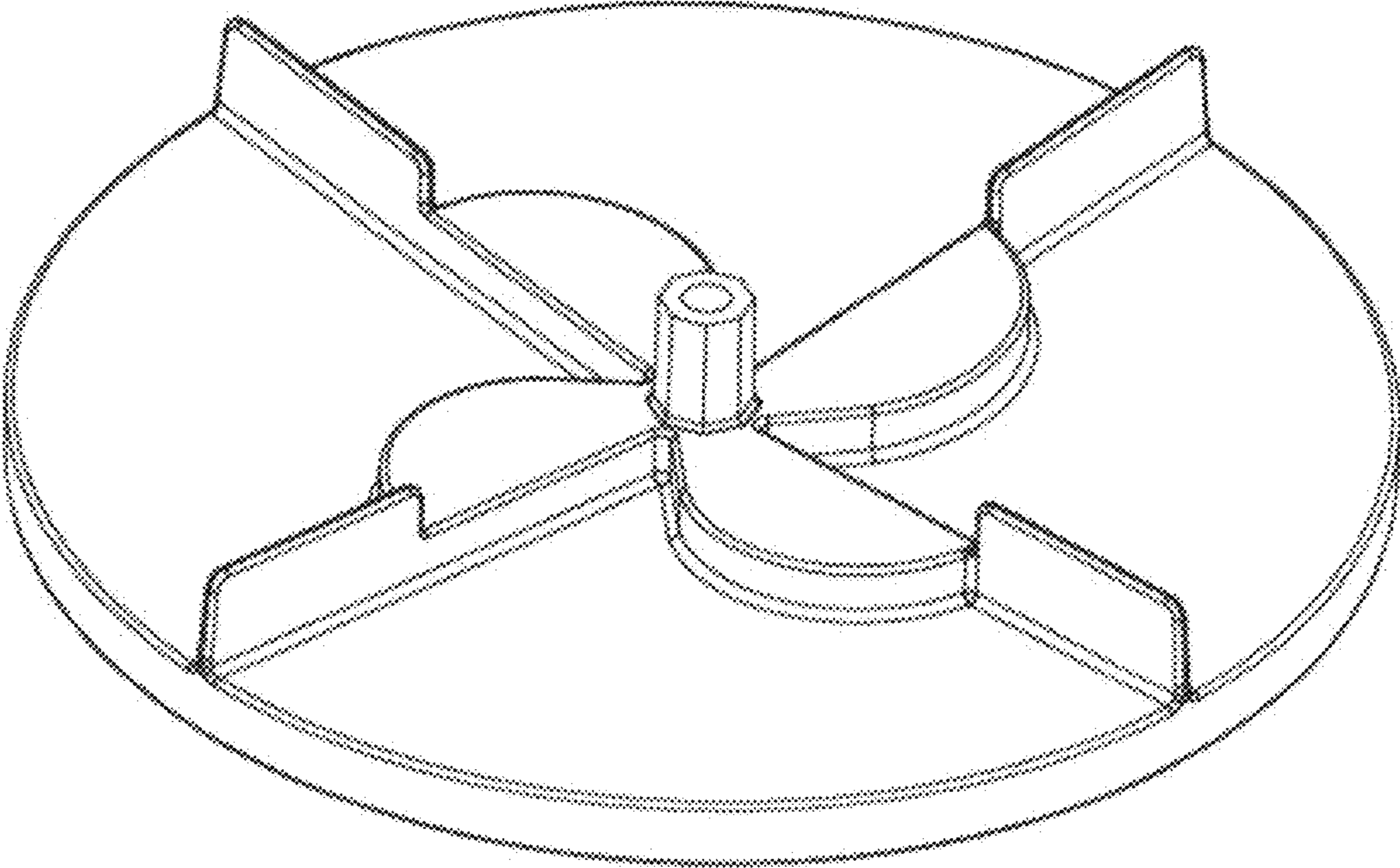


FIG. 1

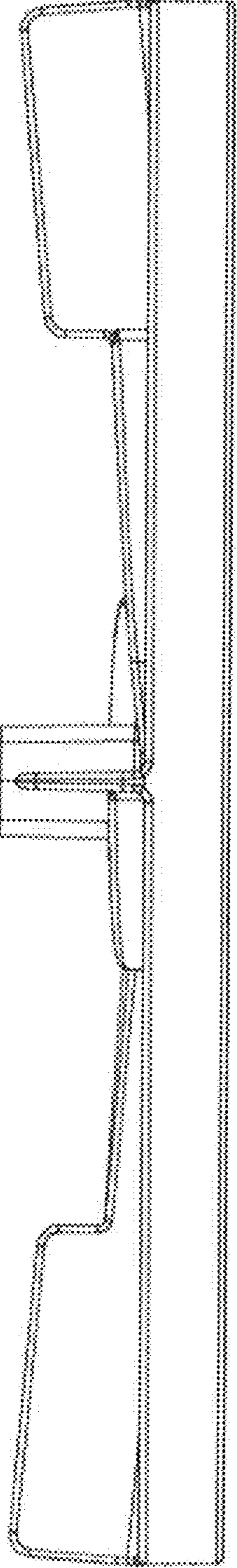


FIG. 2

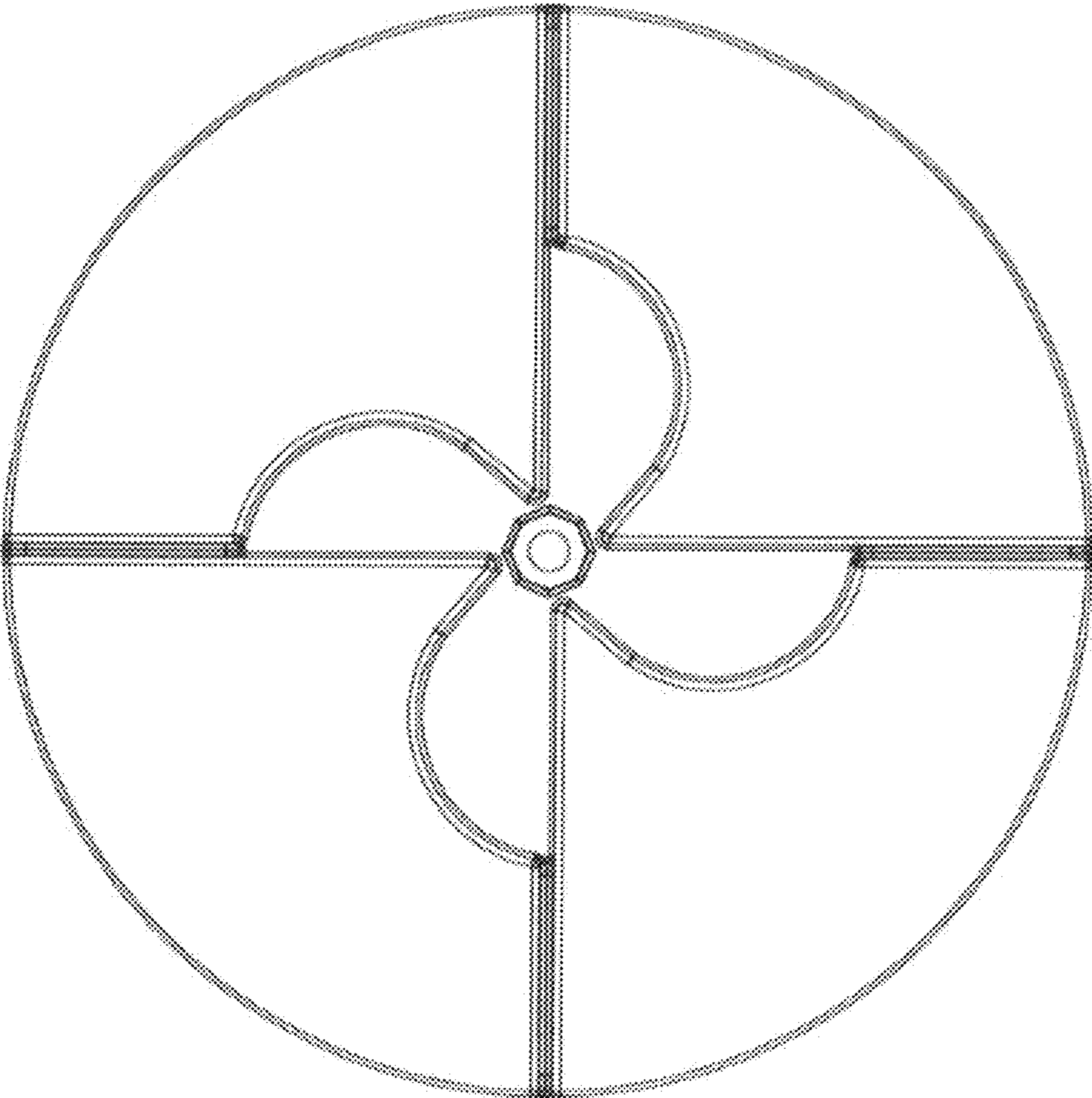


FIG. 3

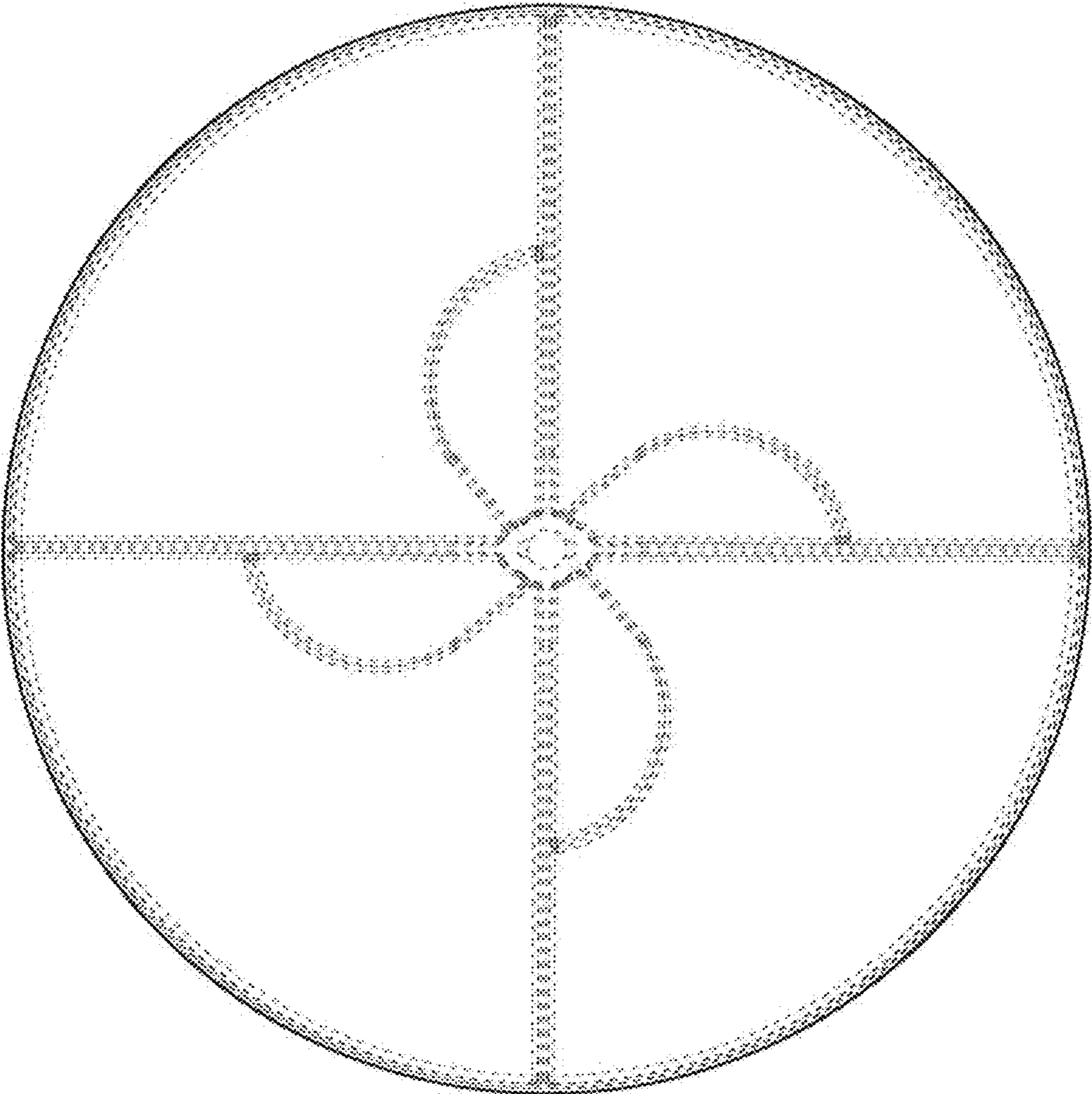


FIG. 4

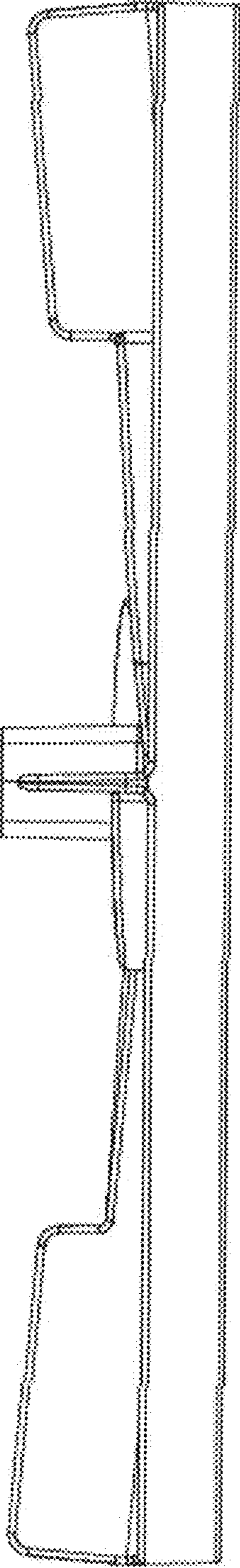


FIG. 5

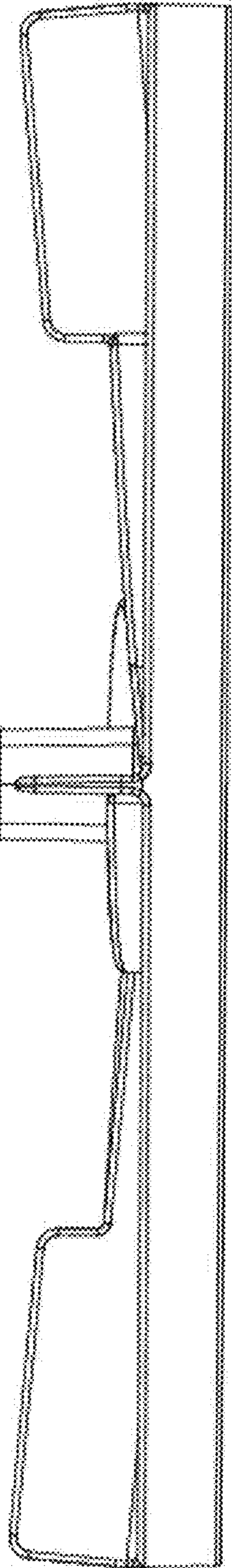


FIG. 6

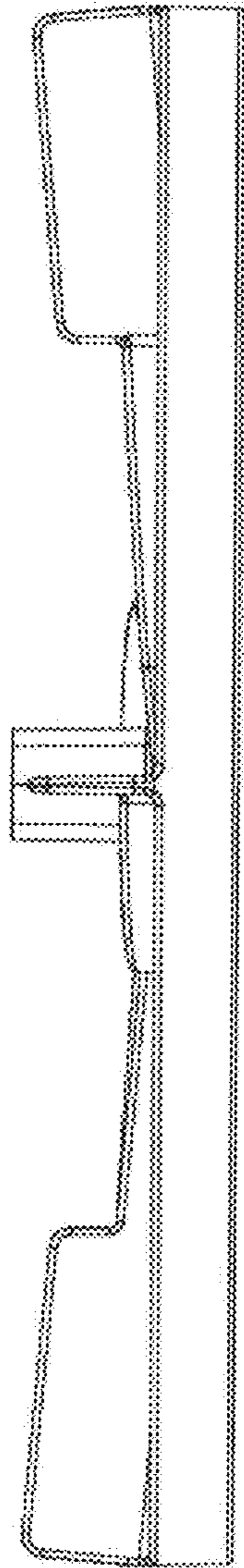


FIG. 7