



US00D792886S

(12) **United States Design Patent**
Schwibner et al.

(10) **Patent No.:** **US D792,886 S**

(45) **Date of Patent:** **** Jul. 25, 2017**

(54) **ADJUSTABLE RUGGED TABLET FRAME**

(71) Applicant: **COMPTOLIFE, LLC**, Boca Raton, FL (US)

(72) Inventors: **Barry Schwibner**, Boca Raton, FL (US); **Brad Schwartz**, Boca Raton, FL (US); **Eric Judge**, Boca Raton, FL (US)

(73) Assignee: **COMPTOLIFE, LLC**, Boca Raton, FL (US)

(**) Term: **15 Years**

(21) Appl. No.: **29/568,390**

(22) Filed: **Jun. 17, 2016**

(51) **LOC (10) Cl.** **14-02**

(52) **U.S. Cl.**
USPC **D14/440**

(58) **Field of Classification Search**
USPC D14/440, 250, 447; 206/45.23, 320, 206/45.2; 361/679.55; 294/25; 224/218
CPC ... G06F 1/1628; G06F 1/1626; A47B 23/044; H04B 1/3888
See application file for complete search history.

(56) **References Cited**

U.S. PATENT DOCUMENTS

D659,132	S	*	5/2012	Wen	D14/250
D662,929	S	*	7/2012	Fahrendorff	D14/250
D671,930	S	*	12/2012	Akana	D14/250
D674,789	S	*	1/2013	Wen	D14/250
D678,262	S	*	3/2013	Prato	D14/250
8,523,124	B2	*	9/2013	Yuan	F16M 11/10 248/188.8
D696,240	S	*	12/2013	Kim	D14/250
D698,775	S	*	2/2014	Huang	D14/250
D703,649	S	*	4/2014	Wikel	D14/250
D714,295	S	*	9/2014	Fujioka	D14/440
D720,341	S	*	12/2014	Sharudenko	D14/250

D754,133	S	*	4/2016	Chen	D14/440
D754,651	S	*	4/2016	Roberts	D14/250
D756,344	S	*	5/2016	Roberts	D14/250
D761,263	S	*	7/2016	Brinkman	D14/440
D762,203	S	*	7/2016	Chin	D14/250
2011/0297578	A1	*	12/2011	Stiehl	B29C 45/1676 206/701
2012/0018325	A1	*	1/2012	Kim	A45C 11/00 206/320
2012/0043236	A1	*	2/2012	Szucs	A45C 11/00 206/320
2012/0182678	A1	*	7/2012	Wu	A45F 5/10 361/679.01
2012/0257340	A1	*	10/2012	Kim	H04B 1/3888 361/679.01
2015/0314845	A1	*	11/2015	Yoshida	F16J 12/00 114/339

* cited by examiner

Primary Examiner — Cynthia Underwood

(74) *Attorney, Agent, or Firm* — The Roy Gross Law Firm, LLC; Roy Gross

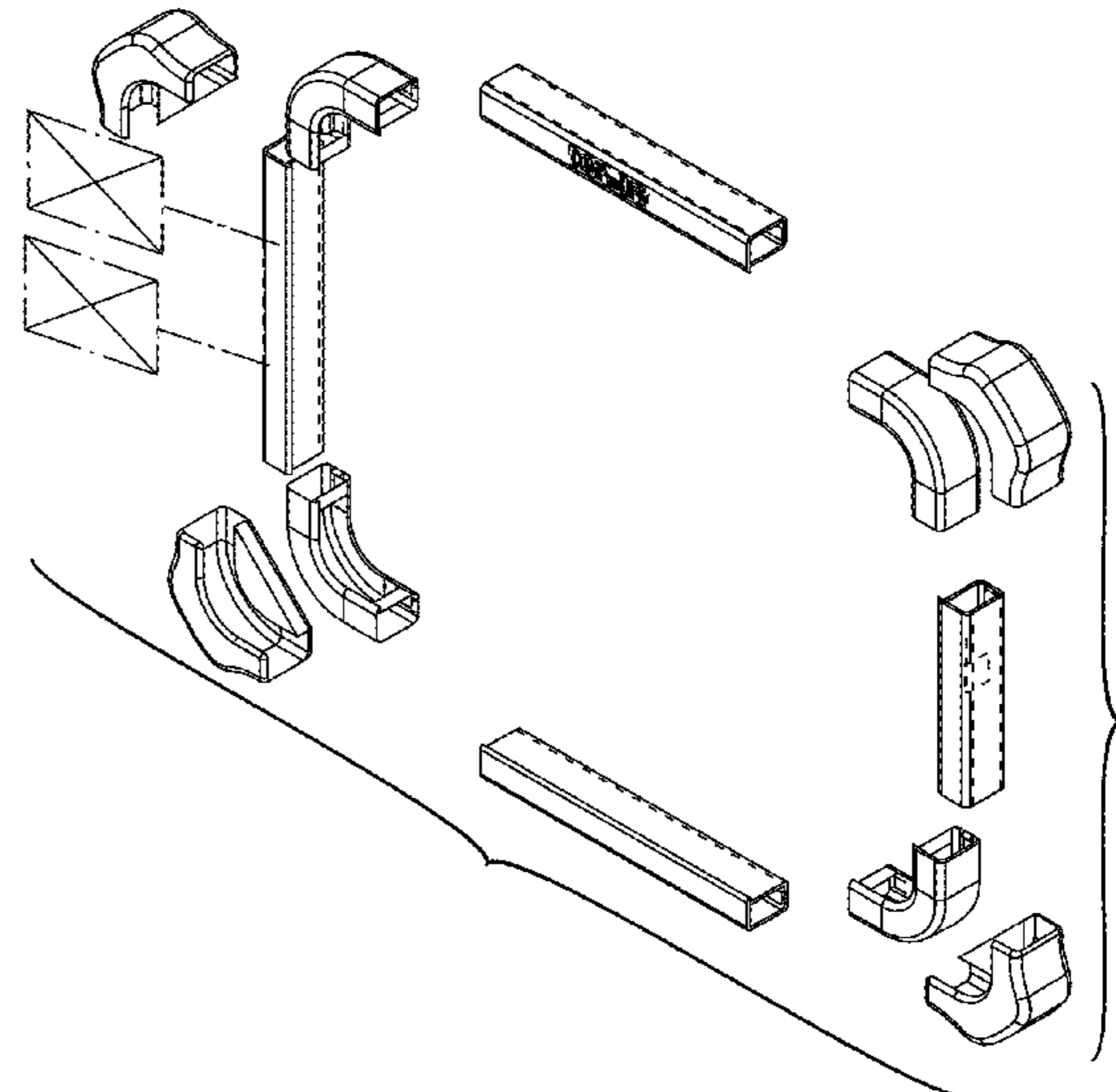
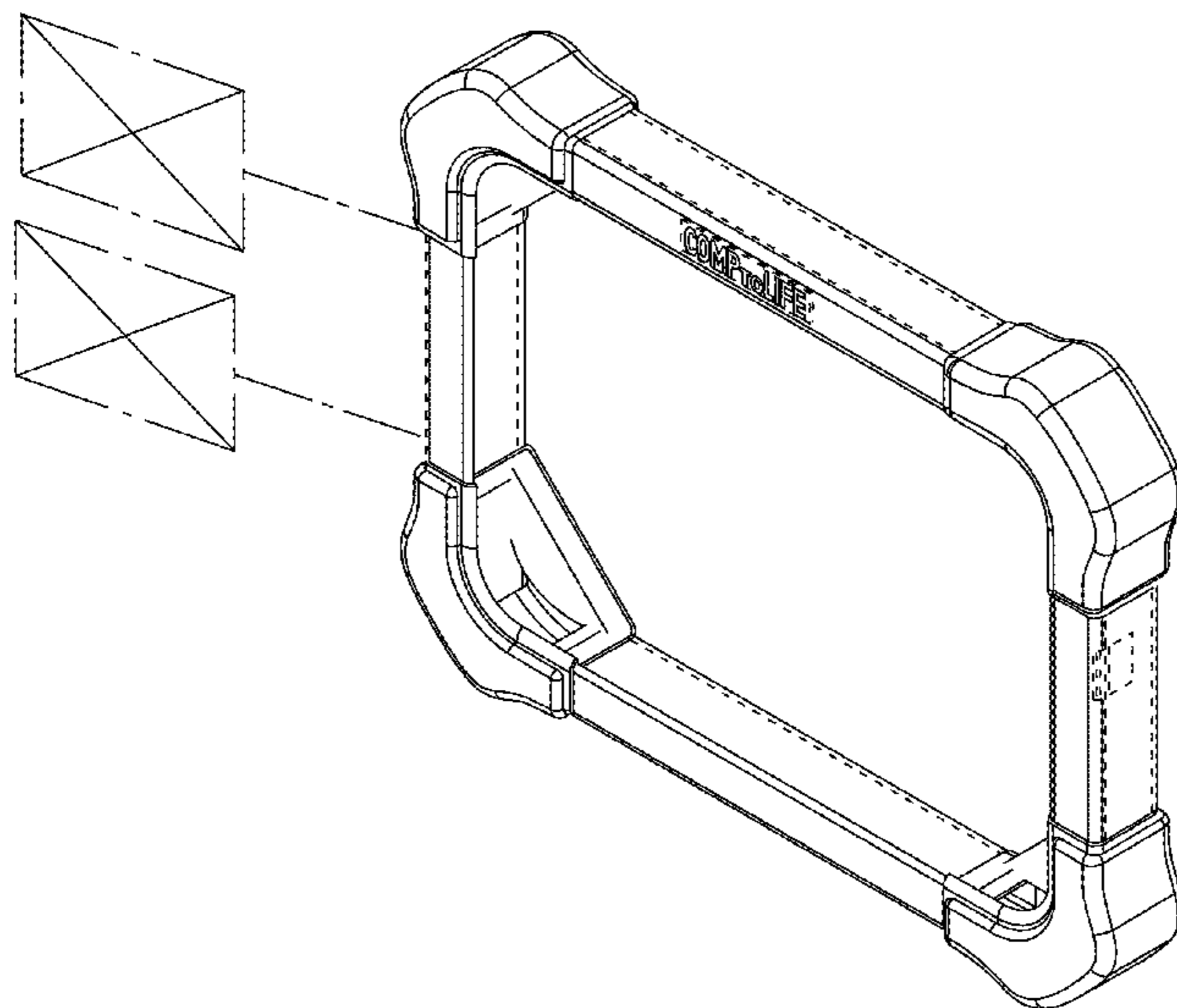
(57) **CLAIM**

The ornamental design for an adjustable rugged tablet frame, as shown and described.

DESCRIPTION

FIG. 1 is a front isometric view of an adjustable rugged tablet frame in accordance with the new design; FIG. 2 is a front view thereof; FIG. 3 is a right side elevation view thereof; FIG. 4 is a rear view thereof; FIG. 5 is a left side elevation view thereof; FIG. 6 is a bottom elevation view thereof; FIG. 7 is a top elevation view thereof; and, FIG. 8 is a front exploded isometric view thereof. The broken lines represent environment and form no part of the claimed design.

1 Claim, 8 Drawing Sheets



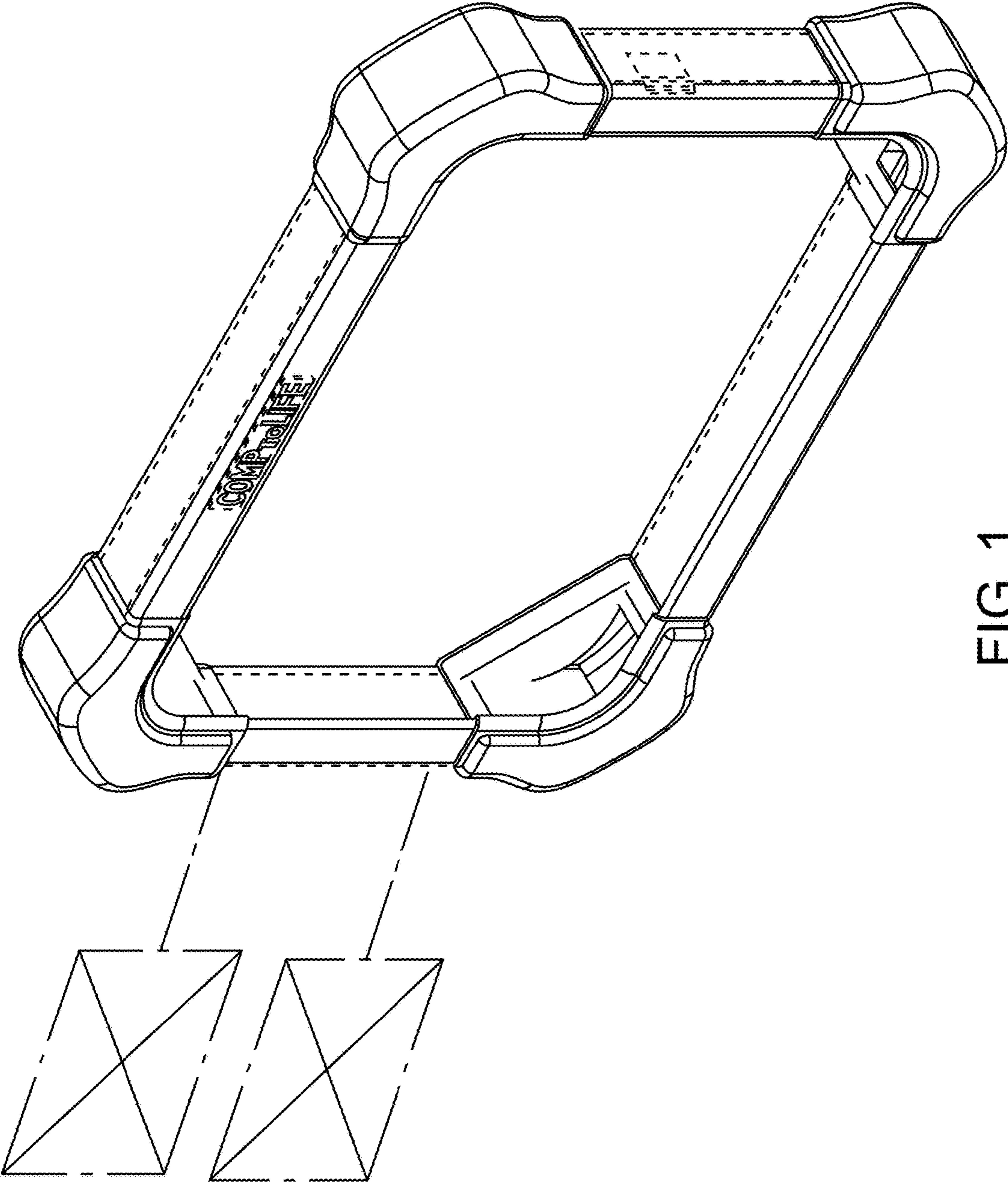


FIG. 1

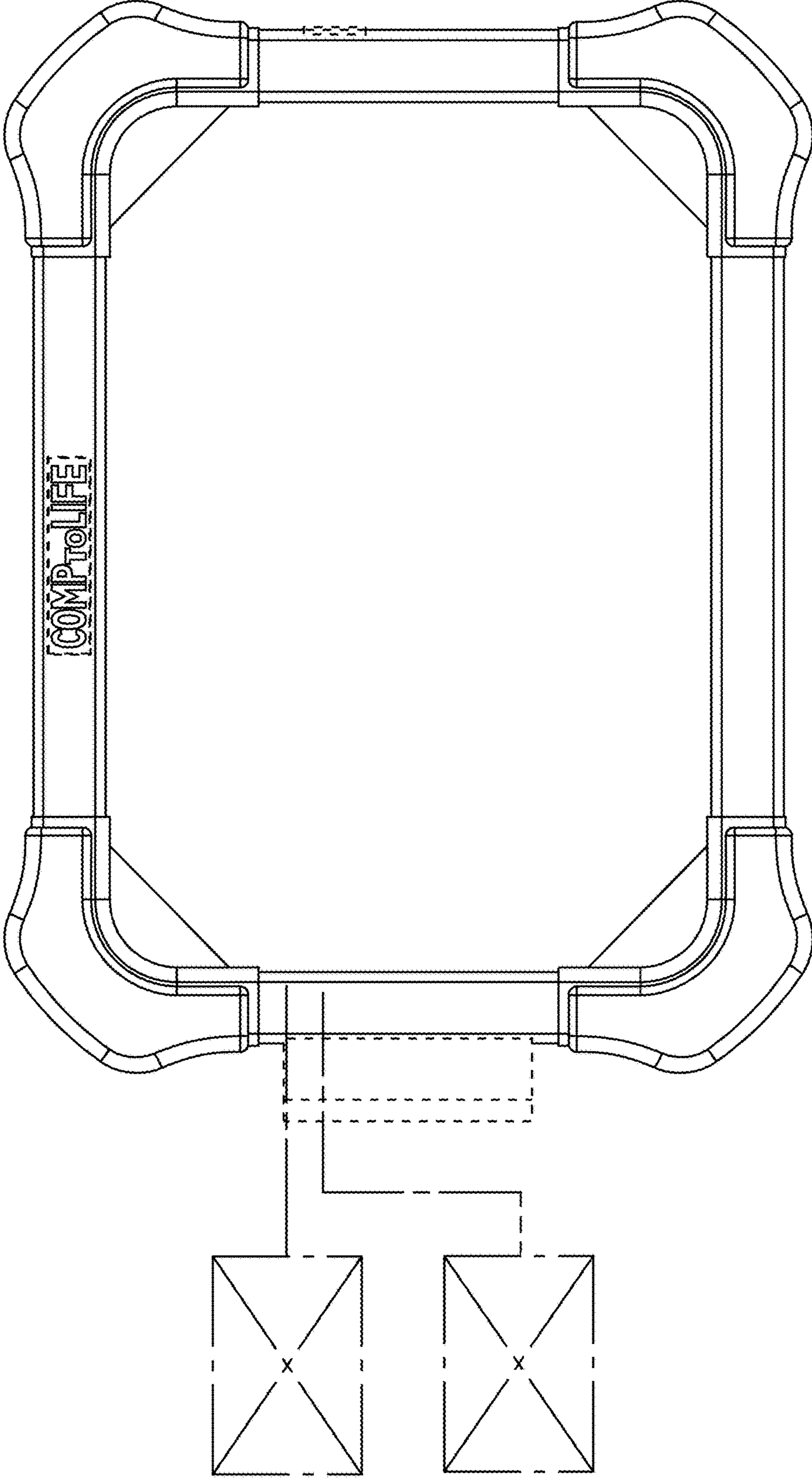


FIG. 2

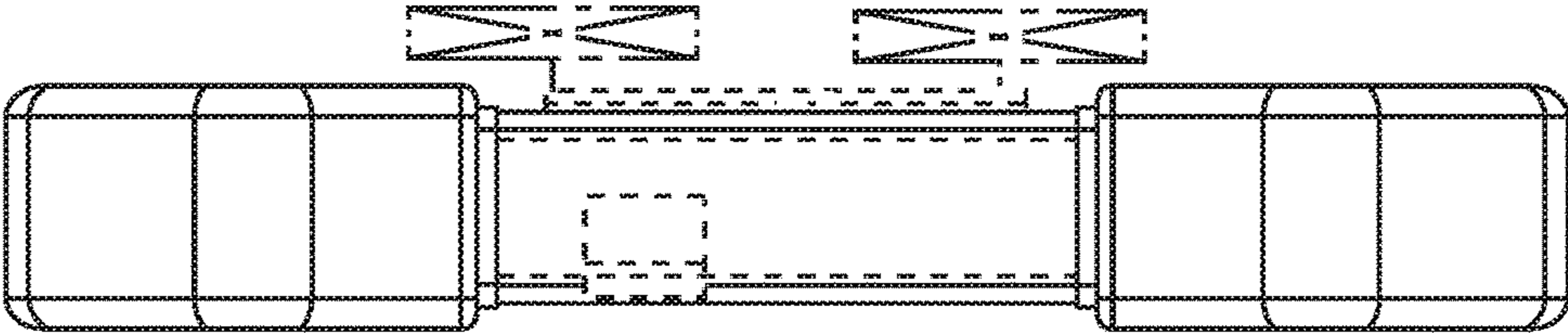


FIG. 3

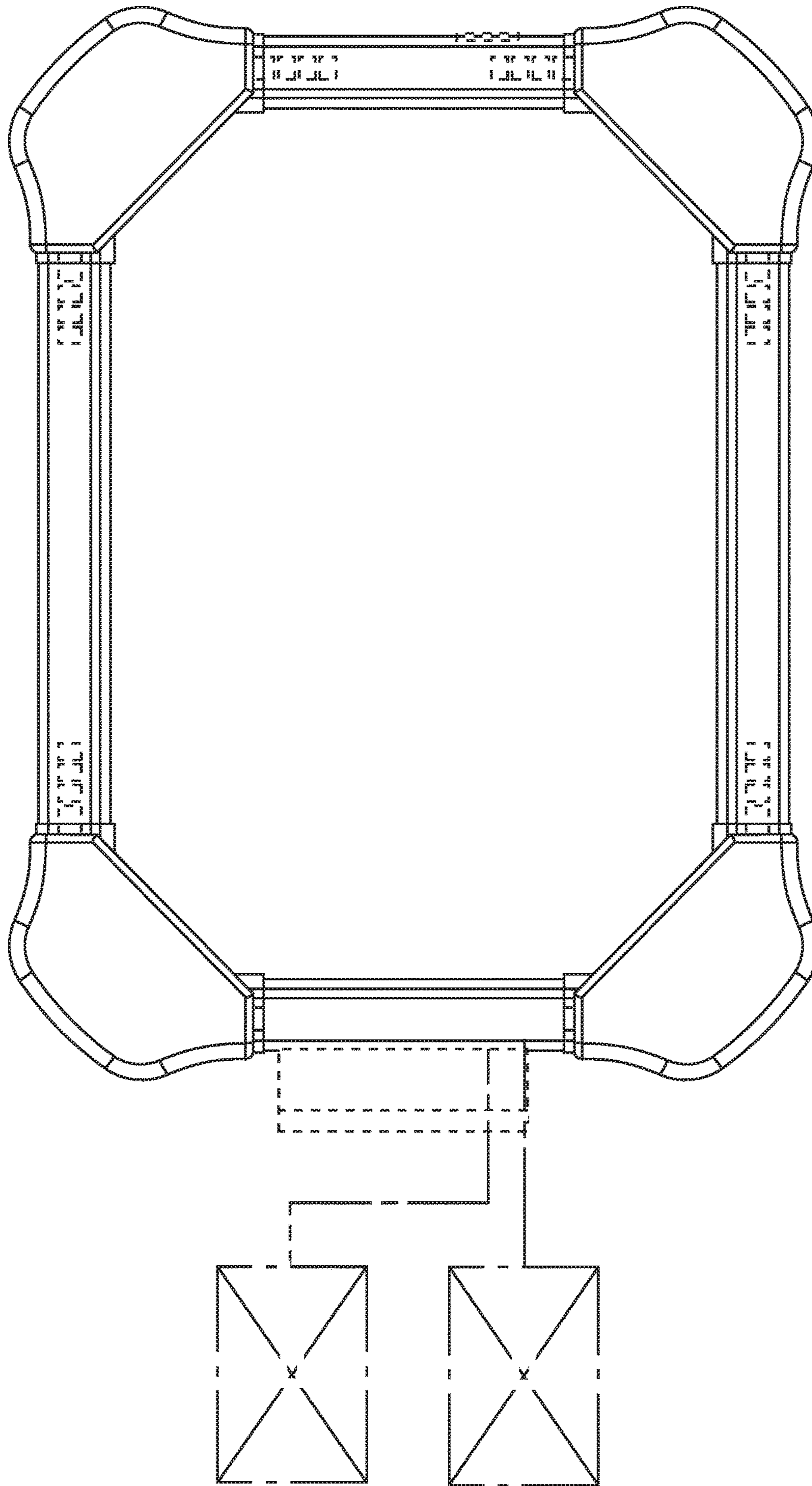


FIG. 4

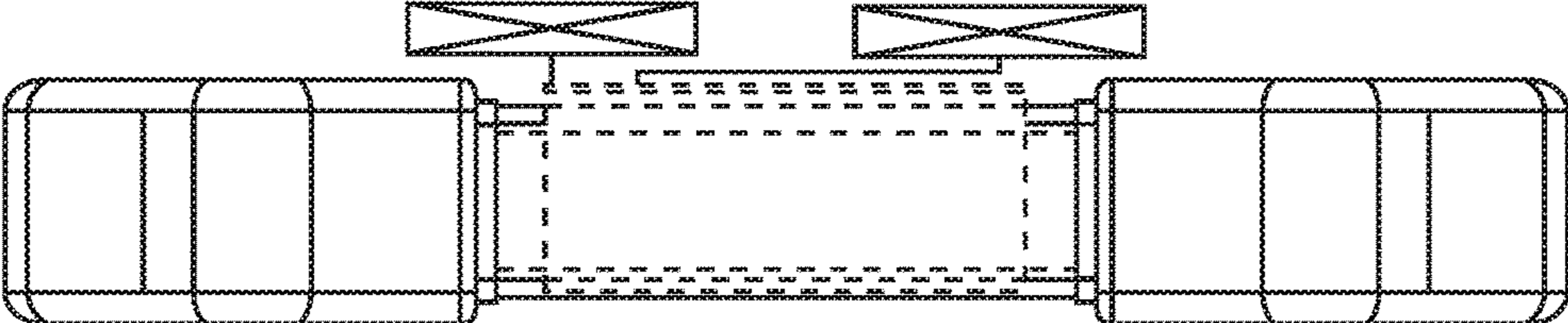


FIG. 5

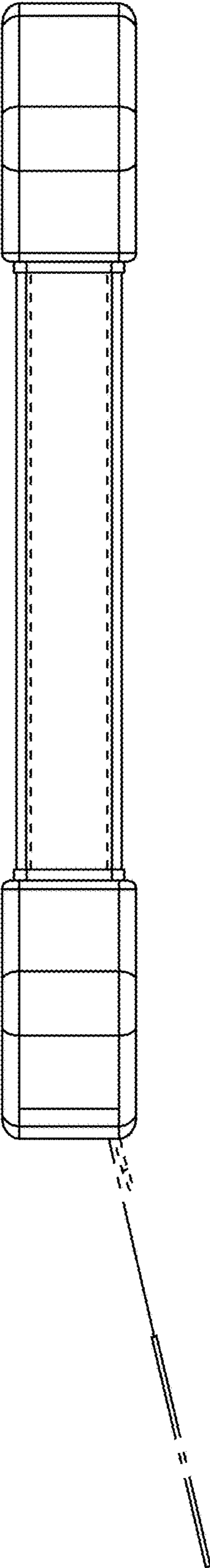


FIG. 6

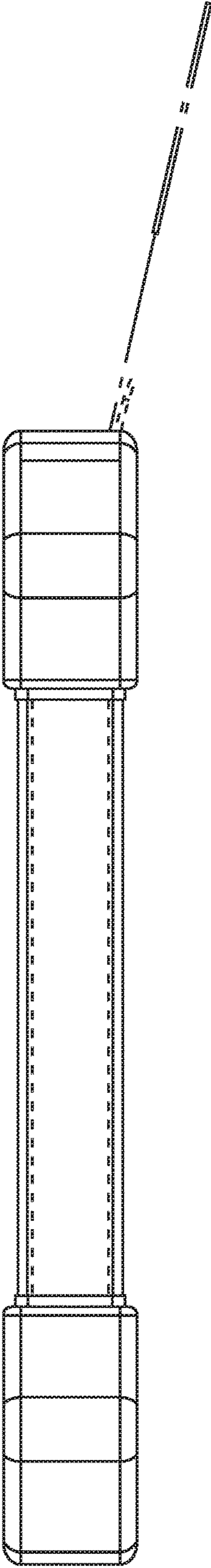


FIG. 7

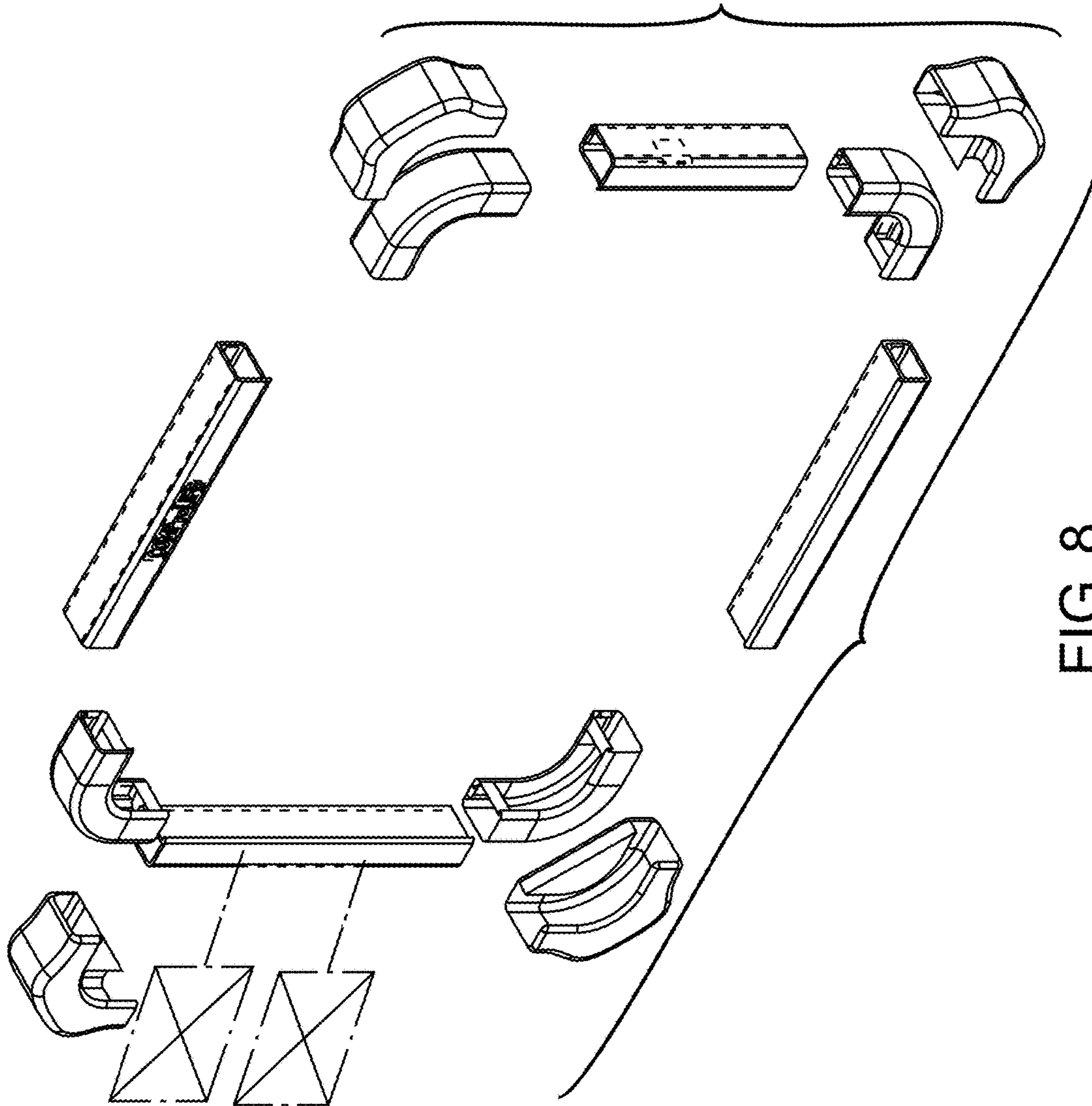


FIG. 8