



US00D792885S

(12) **United States Design Patent**  
**Zhang**

(10) **Patent No.:** **US D792,885 S**

(45) **Date of Patent:** **\*\* Jul. 25, 2017**

(54) **GLOWING COMPUTER CASE**

(71) Applicant: **Lina Zhang**, College Point, NY (US)

(72) Inventor: **Lina Zhang**, College Point, NY (US)

(\*\*) Term: **15 Years**

(21) Appl. No.: **29/557,860**

(22) Filed: **Mar. 13, 2016**

(51) **LOC (10) Cl.** ..... **14-02**

(52) **U.S. Cl.**  
USPC ..... **D14/440**

(58) **Field of Classification Search**  
USPC ..... D14/250, 440, 447; 206/45.23, 320,  
206/45.2, 316.2; 361/679.55; 294/25;  
224/218  
CPC .... G06F 1/1628; G06F 1/1613; G06F 1/1626;  
A47B 23/044  
See application file for complete search history.

(56) **References Cited**

**U.S. PATENT DOCUMENTS**

D642,614 S *	8/2011	Ahmad	.....	D19/10
D669,480 S *	10/2012	Piedra	.....	D14/440
D675,625 S *	2/2013	Hasbrook	.....	D14/440
D685,419 S *	7/2013	Ahmad	.....	D19/10
D700,184 S *	2/2014	Boldetti	.....	D14/440
D700,611 S *	3/2014	Boldetti	.....	D14/440
D710,859 S *	8/2014	Mecchella	.....	D14/440
D721,080 S *	1/2015	Mecchella	.....	D14/440
D721,081 S *	1/2015	Hirst	.....	D14/440
D728,579 S *	5/2015	Mecchella	.....	D14/440

D742,890 S *	11/2015	Mecchella	.....	D14/440
D755,160 S *	5/2016	Ponce	.....	D14/214
2012/0043235 A1 *	2/2012	Klement	.....	A45C 11/00 206/320


\* cited by examiner

*Primary Examiner* — Cynthia Underwood  
(74) *Attorney, Agent, or Firm* — Jeanette Meng  
Nakagawa

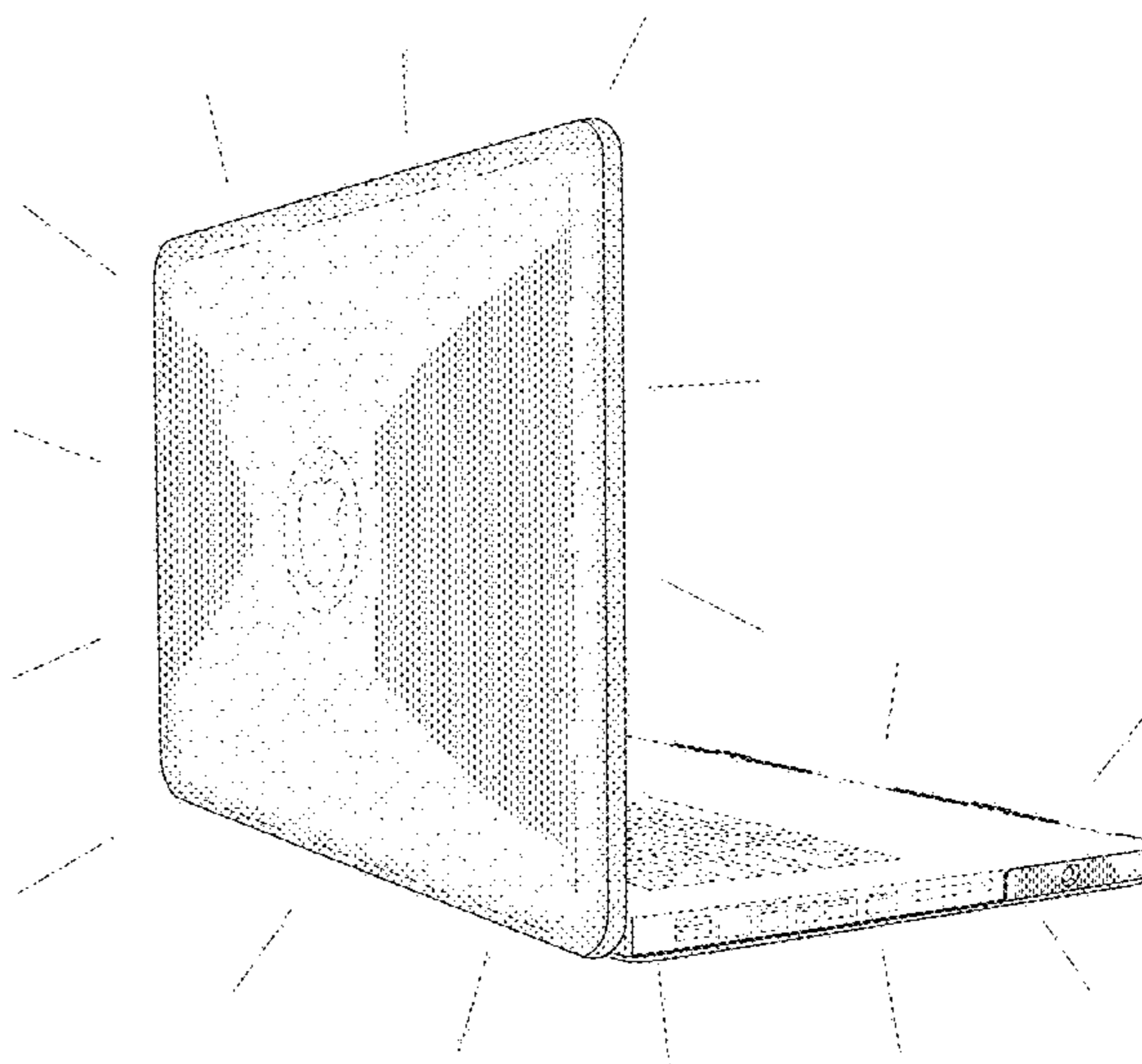
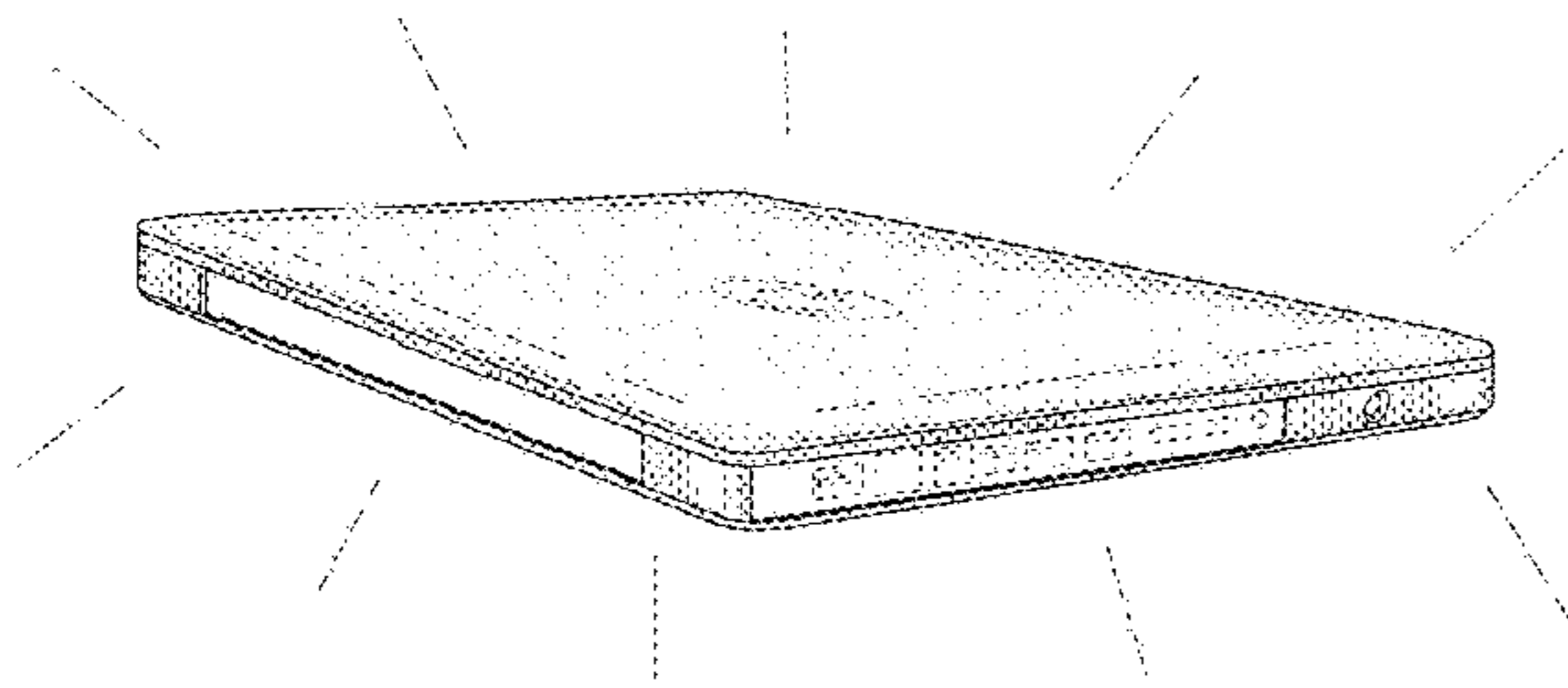
(57) **CLAIM**

The ornamental design for a glowing computer case, as shown and described.

**DESCRIPTION**

FIG. 1 is a perspective view from above of a glowing computer case showing my new design;  
FIG. 2 is a top view thereof;  
FIG. 3 is a left side view thereof;  
FIG. 4 is a right side view thereof;  
FIG. 5 is a back view thereof;  
FIG. 6 is a front view thereof;  
FIG. 7 is a bottom view thereof; and,  
FIG. 8 is a perspective view from the left of the glowing computer case, with the case in an opened position.  
The broken lines represent portions of the invention that form no part of the claim.  
The “” in broken lines does not form part of the claimed design, and is a registered trademark. The owner of the registered trademark is Apple Inc. Corporation, 1 Infinite Loop, Cupertino, Calif. 95014, USA.  
The lines emanating outward from the present disclosure in FIGS. 1-8 represent a glowing visual effect, and form no part of the claim.

**1 Claim, 4 Drawing Sheets**



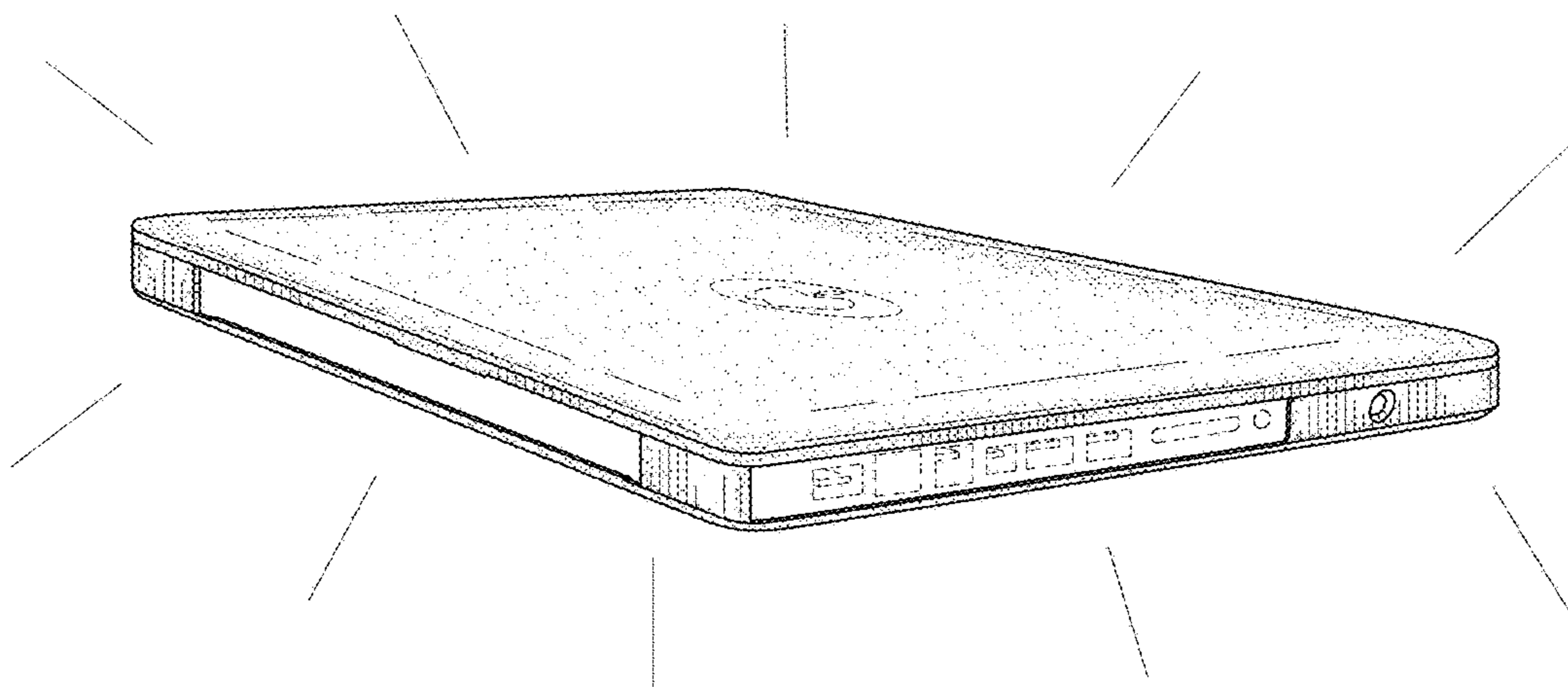


FIG. 1

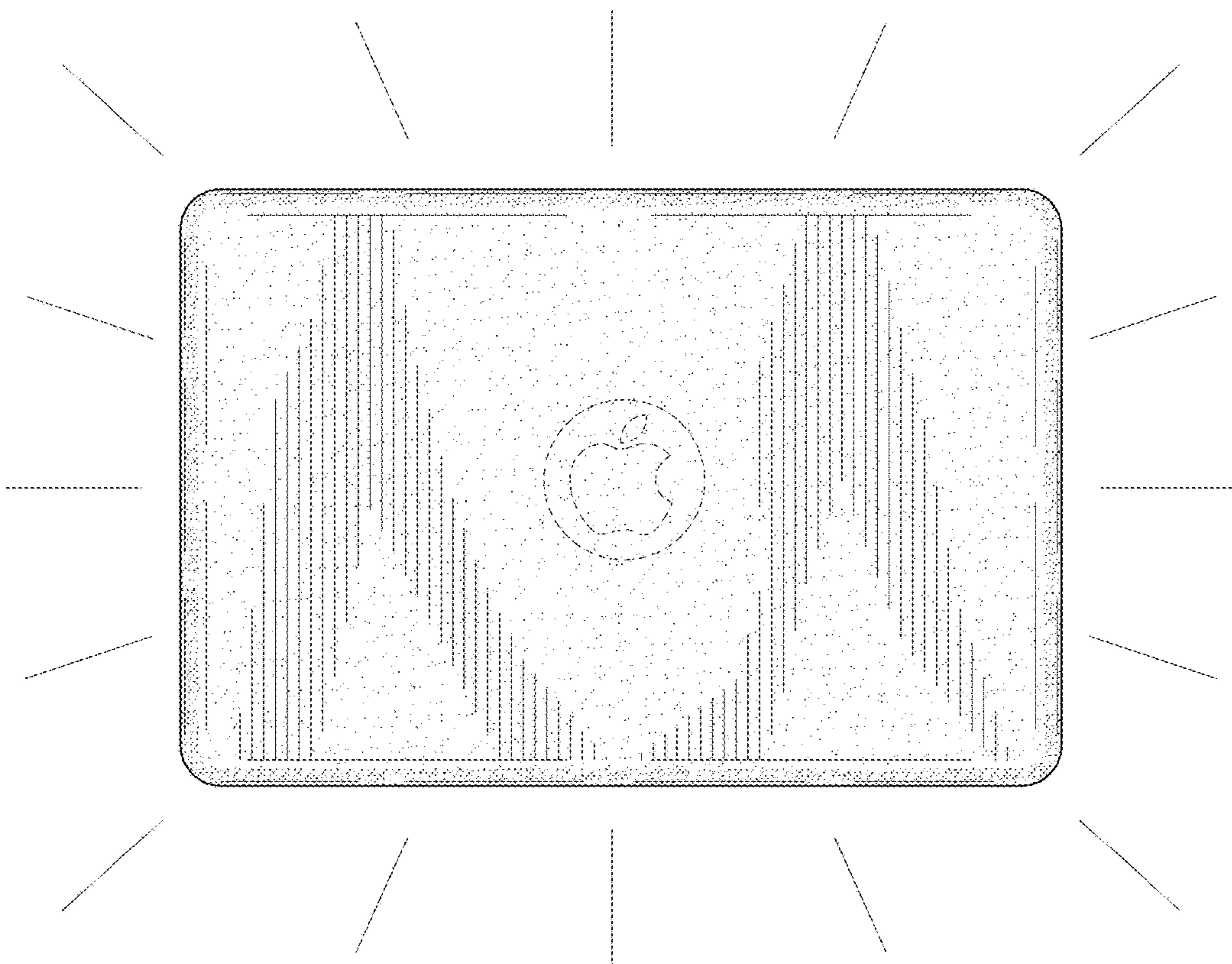
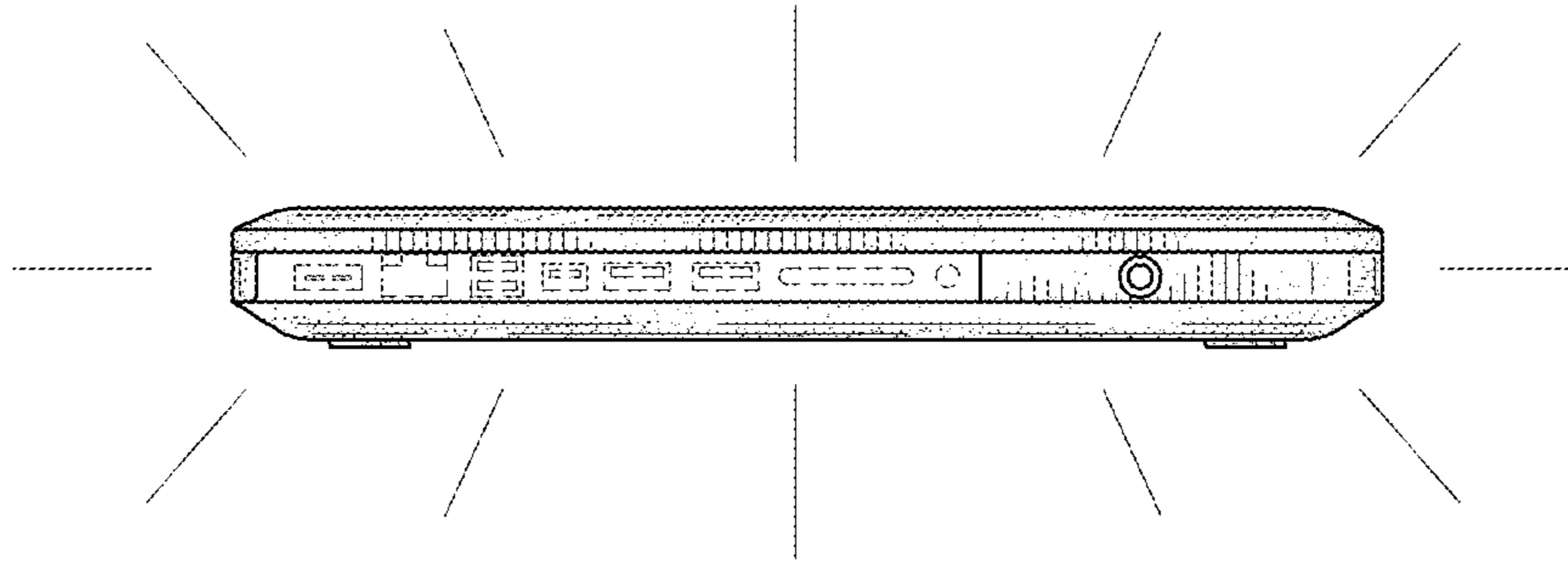
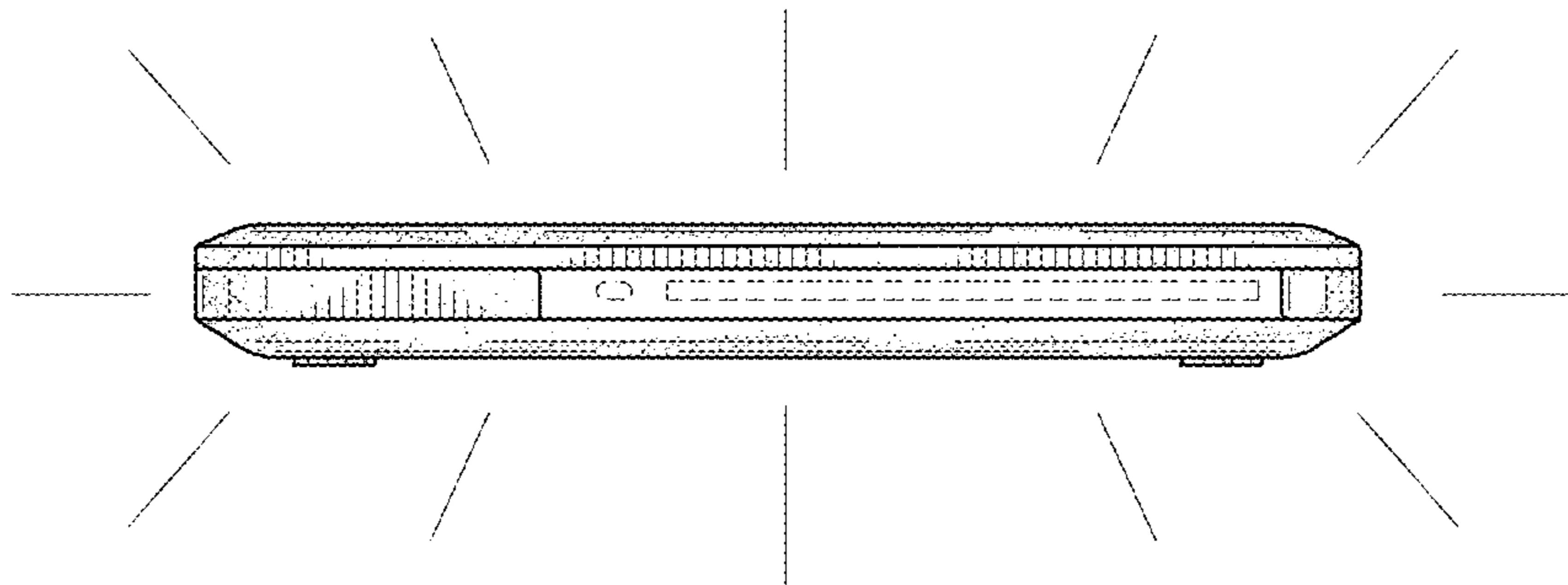


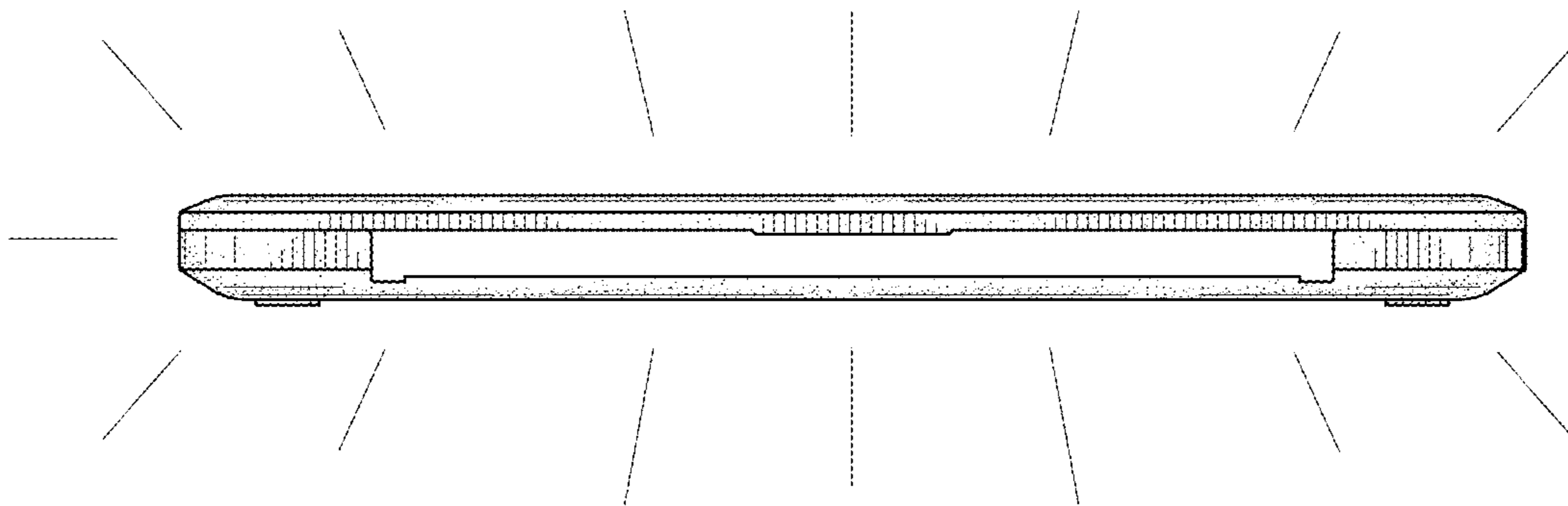
FIG. 2



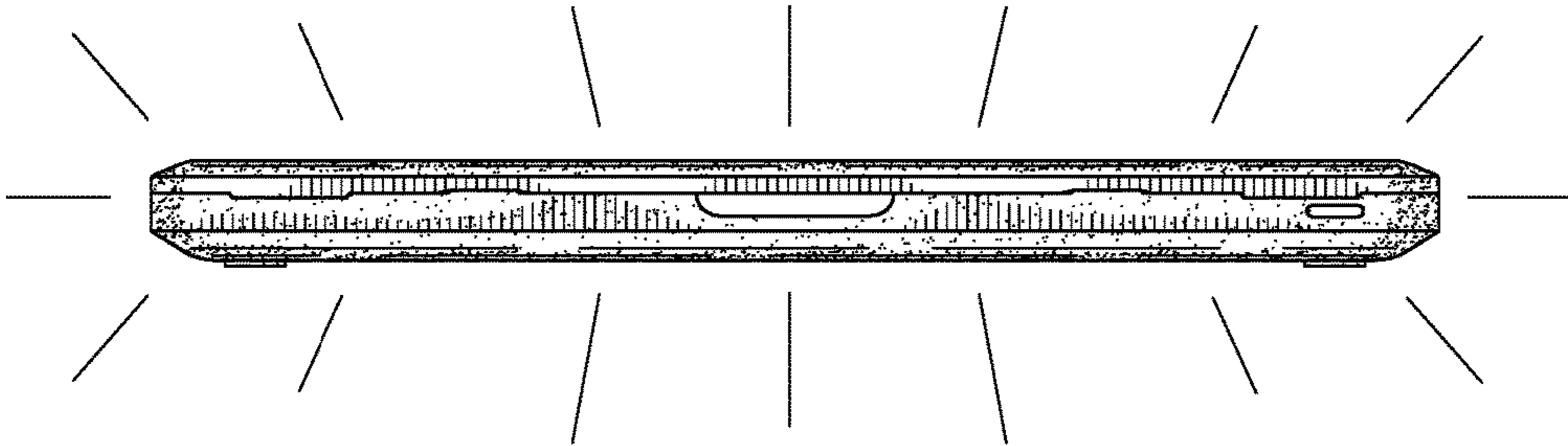
**FIG. 3**



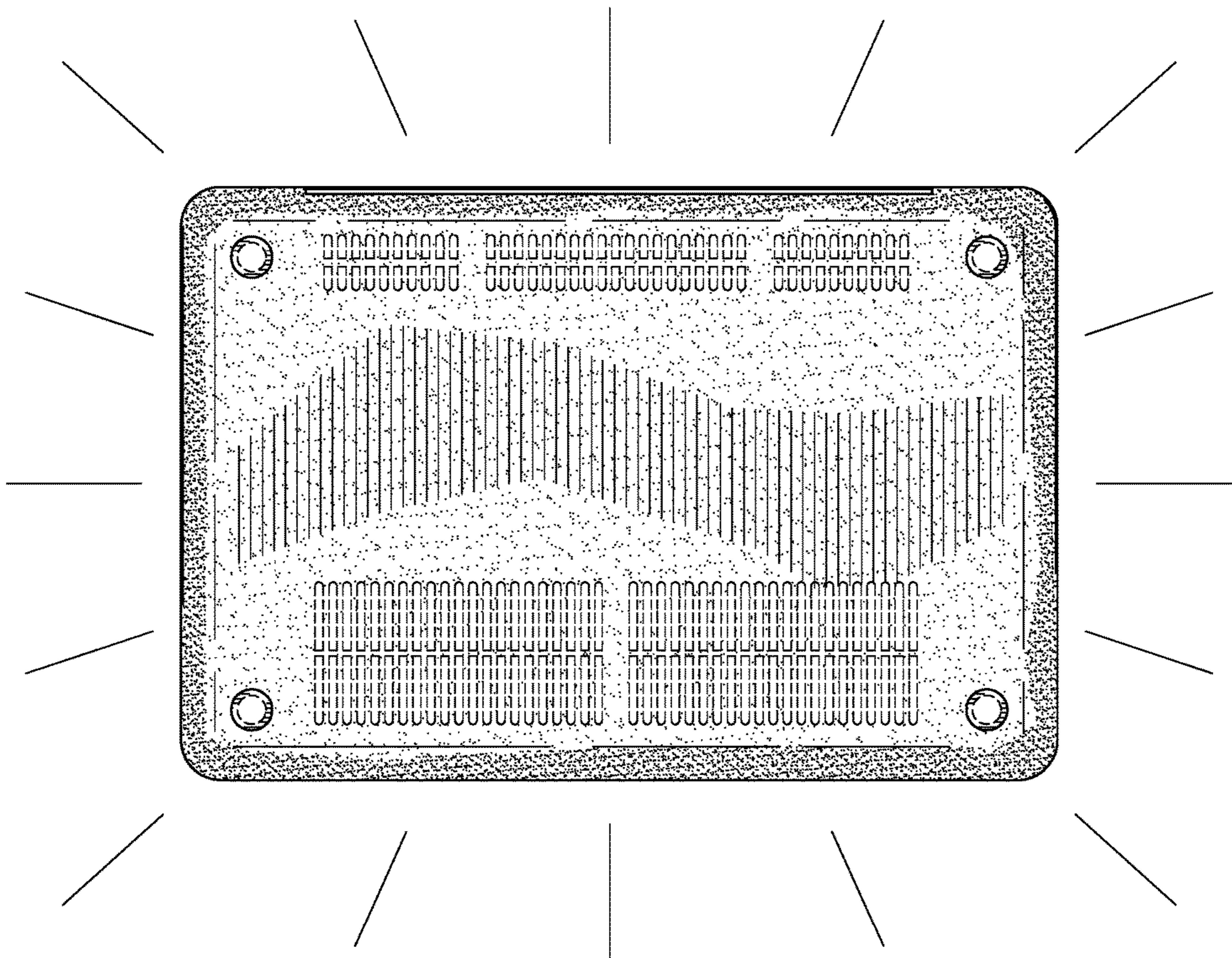
**FIG. 4**



**FIG. 5**



**FIG. 6**



**FIG. 7**

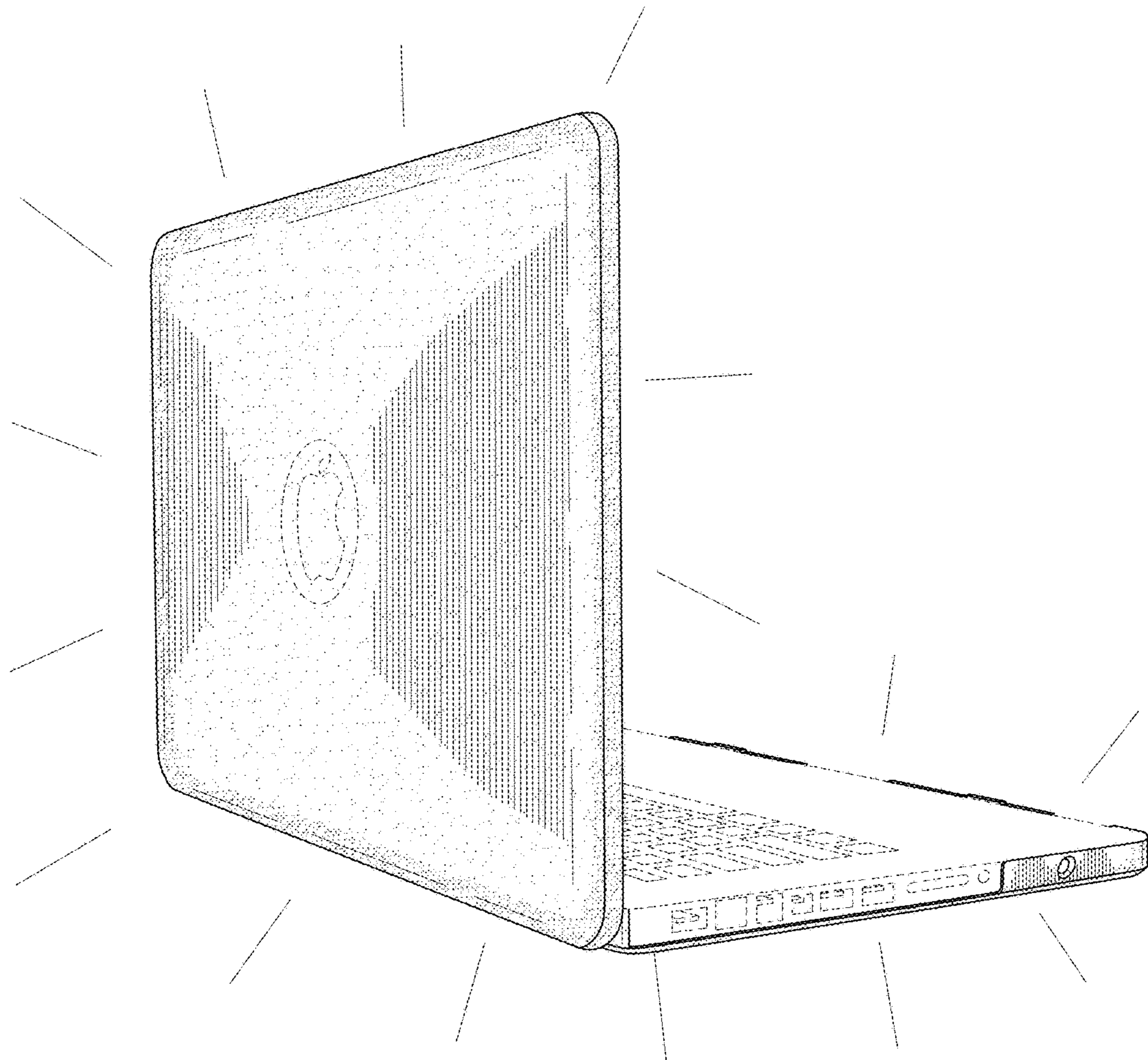


FIG. 8