



US00D792884S

(12) **United States Design Patent**
Nyholm

(10) **Patent No.:** **US D792,884 S**

(45) **Date of Patent:** **** Jul. 25, 2017**

(54) **CASE FOR A TABLET COMPUTER**

(71) Applicant: **STM Management Pty Ltd,**
Alexandria NSW (AU)

(72) Inventor: **Ethan Nyholm,** North Bondi (AU)

(73) Assignee: **STM Management Pty Ltd,**
Alexandria, NSW (AU)

(**) Term: **15 Years**

(21) Appl. No.: **29/557,668**

(22) Filed: **Mar. 10, 2016**

(30) **Foreign Application Priority Data**

Sep. 11, 2015 (AU) 201514823

(51) **LOC (10) Cl.** **14-02**

(52) **U.S. Cl.**
USPC **D14/440**

(58) **Field of Classification Search**
USPC D14/440, 250, 447; 206/45.23, 320,
206/45.2; 361/679.55; 294/25; 224/218
CPC G06F 1/1628; G06F 1/1626; G06F 1/1667;
A47B 23/044; H04B 1/3888; A45C
11/00; A45C 3/02; H05K 5/0217
See application file for complete search history.

(56) **References Cited**

U.S. PATENT DOCUMENTS

- D658,187 S * 4/2012 Diebel G06F 1/1628
D14/440
- D676,449 S * 2/2013 Probst D14/440
- D678,260 S * 3/2013 Bau D14/132
- D679,715 S * 4/2013 Akana D14/440
- D681,641 S * 5/2013 Van Den
Nieuwenhuizen D14/440
- D688,251 S * 8/2013 Akana D14/440
- D696,253 S * 12/2013 Akana D14/345
- D696,669 S * 12/2013 Akana D14/440

- D702,673 S * 4/2014 Murchison D14/250
- D713,848 S * 9/2014 Akana D14/440
- D736,777 S * 8/2015 Rayner D14/440
- 2013/0020216 A1 * 1/2013 Chiou G06F 1/1626
206/320
- 2013/0048520 A1 * 2/2013 Garrett A45F 5/00
206/320
- 2013/0233762 A1 * 9/2013 Balaji B65D 25/00
206/736

* cited by examiner

Primary Examiner — Cynthia Underwood

(74) *Attorney, Agent, or Firm* — Christensen, Fonder,
Dardi & Herbert PLLC

(57) **CLAIM**

I claim the ornamental design for case for a tablet computer,
as shown and described.

DESCRIPTION

FIG. 1 is a front side perspective view of a case for a tablet computer opened.

FIG. 2 is a back side perspective view of the case for a tablet computer.

FIG. 3 is a front side plan view of the case for a tablet computer.

FIG. 4 is a back side plan view of the case for a tablet computer.

FIG. 5 is an end elevation view of the case for a tablet computer.

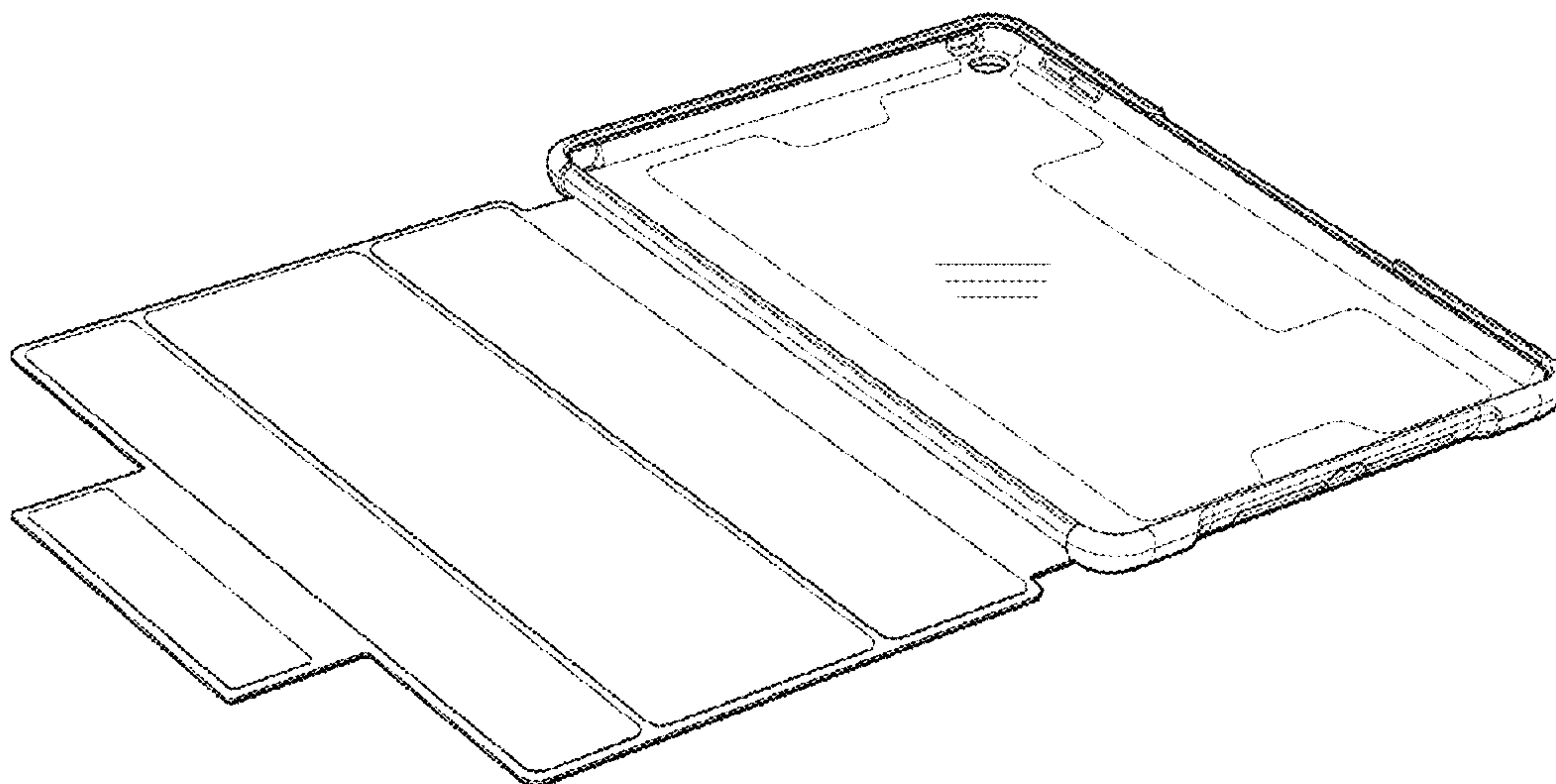
FIG. 6 is an end elevation view opposite that of FIG. 5 of the case for a tablet computer.

FIG. 7 is a side elevation view of the case for a tablet computer; and,

FIG. 8 is a side elevation view opposite that of FIG. 7 of the case for a tablet computer.

The broken lines represent environment that forms no part of the claim. The surfaces with three parallel shading lines are representative of transparent material.

1 Claim, 6 Drawing Sheets



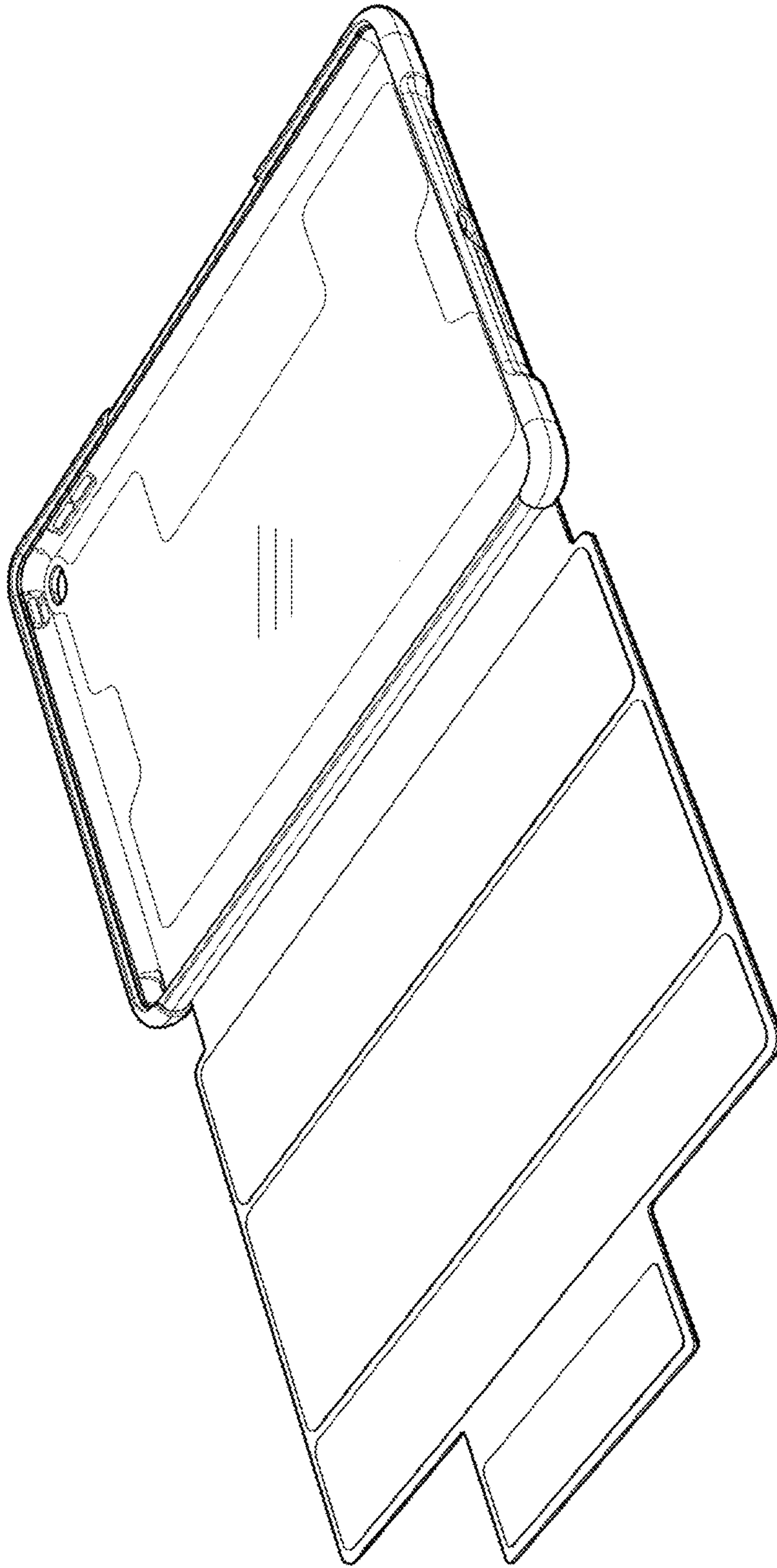


Figure 1

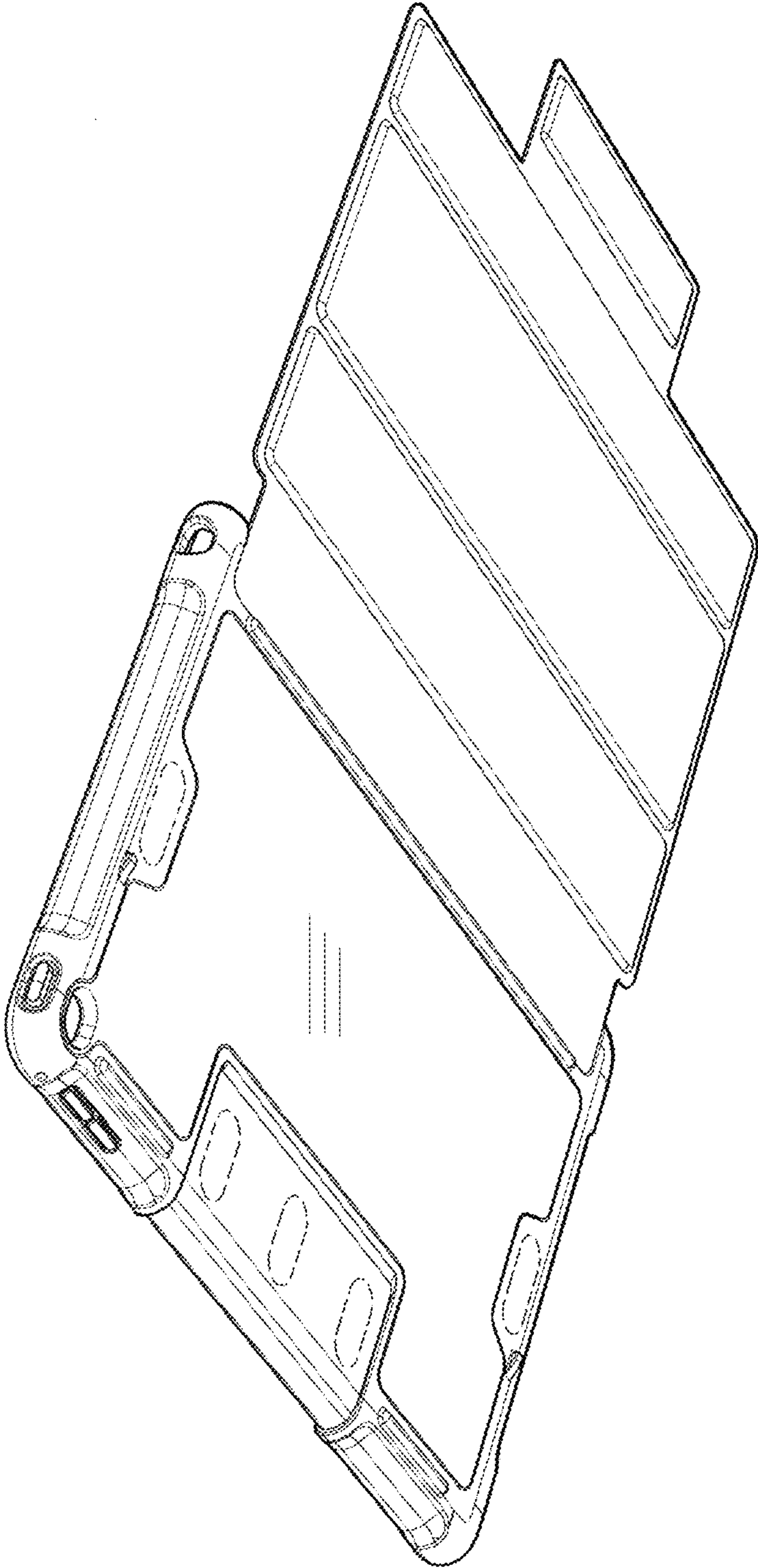


Figure 2

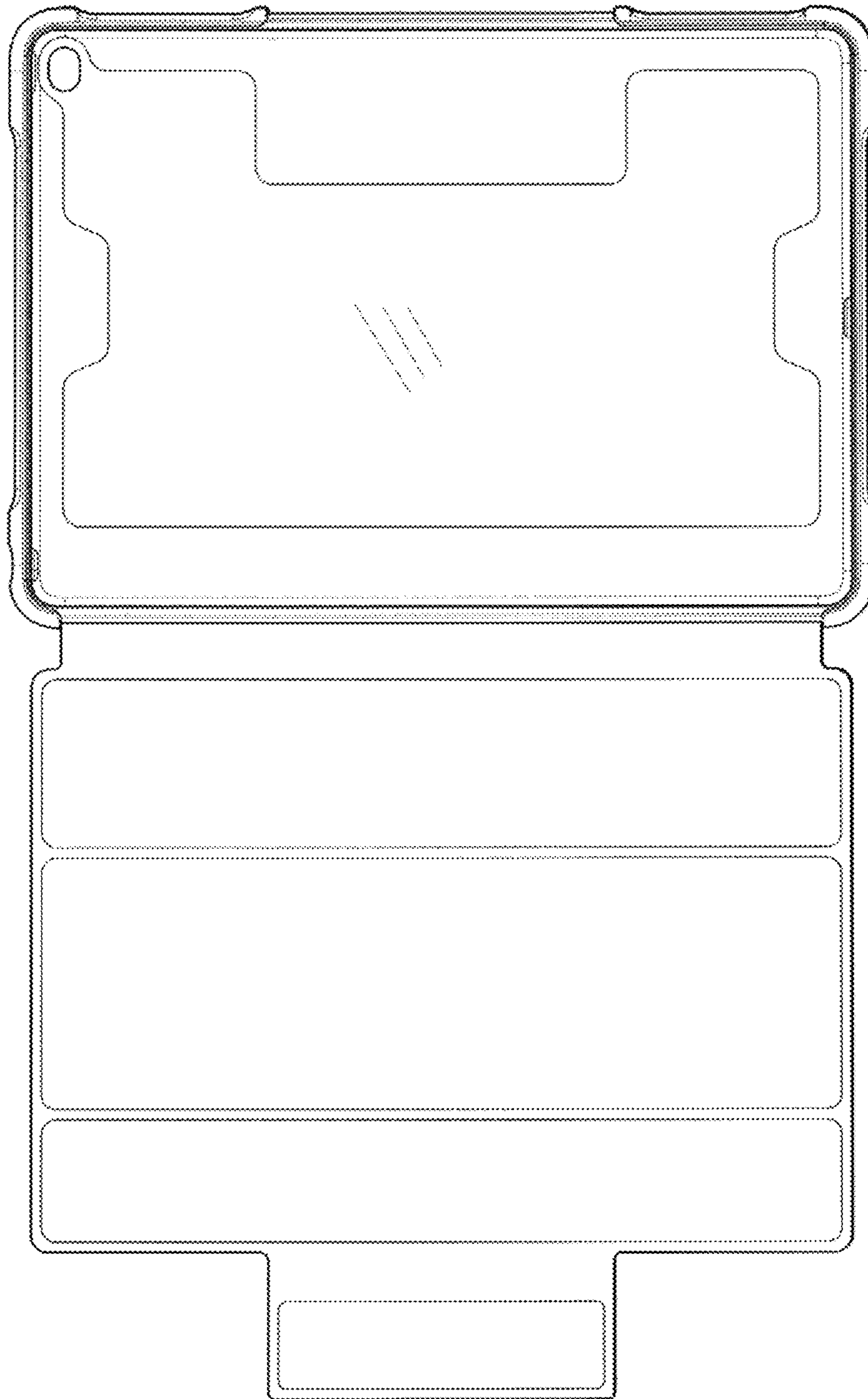


Figure 3

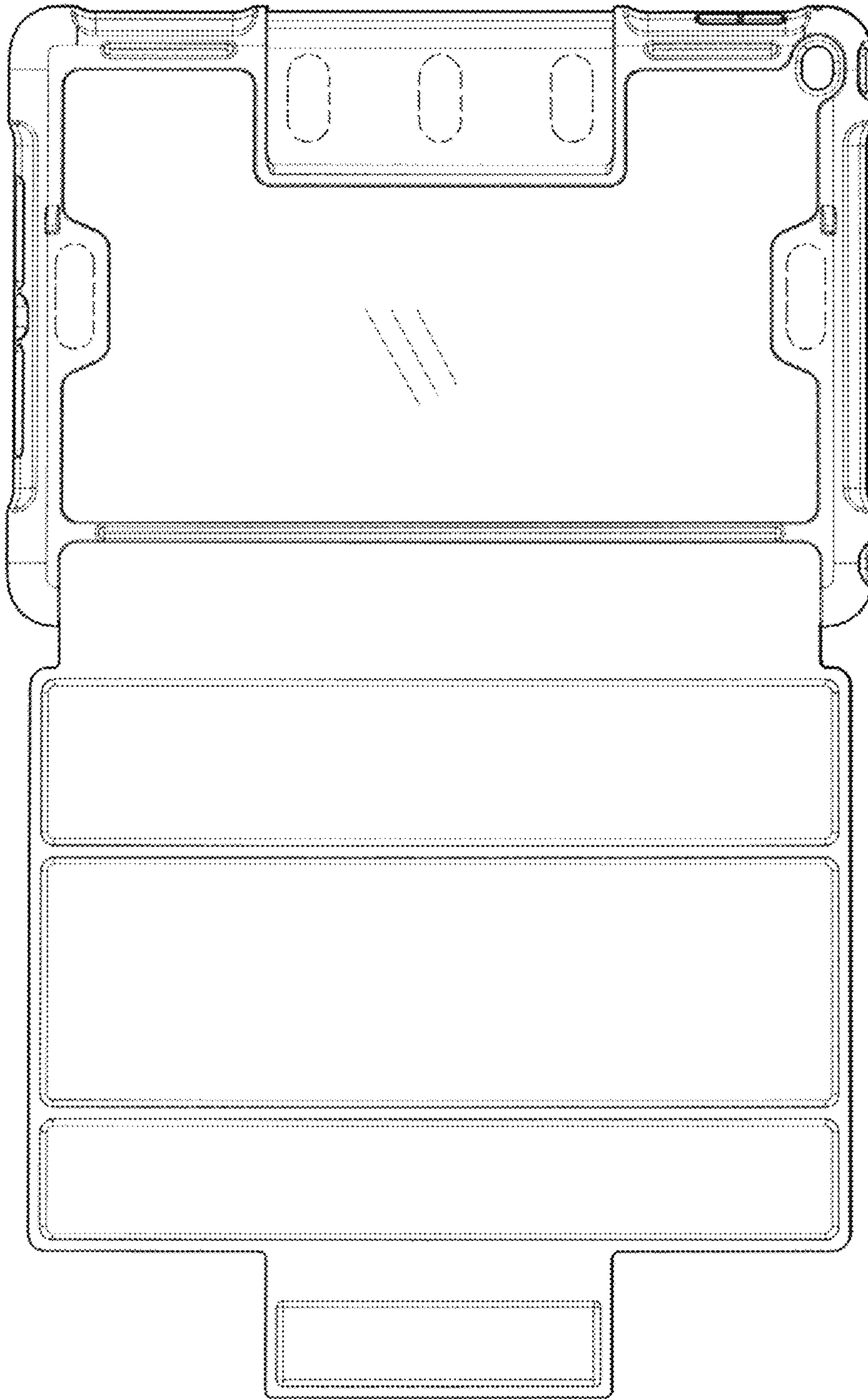


Figure 4



Figure 5



Figure 6

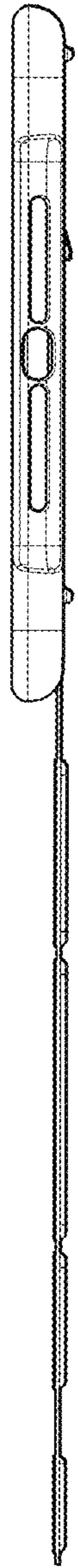


Figure 7



Figure 8