



US00D792883S

(12) **United States Design Patent**  
**Cortina et al.**

(10) **Patent No.: US D792,883 S**  
(45) **Date of Patent: \*\* Jul. 25, 2017**

- (54) **3D CONTROLLER**
- (71) Applicant: **KARL STORZ Imaging, Inc.**, Goleta, CA (US)
- (72) Inventors: **Esteban Cortina**, Santa Barbara, CA (US); **Kay Behrendt**, Schaffhausen (CH); **Benedikt Koehler**, Wurmlingen (DE)
- (73) Assignee: **KARL STORZ Imaging, Inc.**, Goleta, CA (US)

6,602,194	B2 *	8/2003	Roundhill	.....	A61B 8/14
					600/443
6,906,700	B1 *	6/2005	Armstrong	.....	G05G 9/04737
					345/156
D573,995	S *	7/2008	Lewis	.....	D14/400
7,474,296	B2 *	1/2009	Obermeyer	.....	G05G 9/047
					345/156
D688,313	S *	8/2013	Brunner	.....	D14/400
9,176,577	B2 *	11/2015	Jangaard	.....	G06F 1/1616
D760,228	S *	6/2016	Asano	.....	D14/412
D762,781	S *	8/2016	Mistry	.....	D14/401
D763,359	S *	8/2016	Kwong	.....	D14/401
9,446,319	B2 *	9/2016	Barney	.....	A63F 13/00

(\*\*) Term: **15 Years**

(21) Appl. No.: **29/559,206**

(22) Filed: **Mar. 25, 2016**

(51) **LOC (10) Cl.** ..... **14-02**

(52) **U.S. Cl.**  
USPC ..... **D14/412**

(58) **Field of Classification Search**  
USPC ..... D14/399-401, 412-418; 273/148 B;  
463/1, 29-39, 46, 47; 345/156-161, 905;  
D21/333, 328

CPC .. A63F 13/02; A63F 9/24; A63F 13/12; A63F 9/00; A63F 11/00; A63F 71/00; G06F 3/02; G06F 3/033; G09G 5/00

See application file for complete search history.

(56) **References Cited**

**U.S. PATENT DOCUMENTS**

5,335,557	A *	8/1994	Yasutake	.....	G06F 3/0338
					73/862.041
6,597,347	B1 *	7/2003	Yasutake	.....	G06F 3/0338
					178/18.01

\* cited by examiner

*Primary Examiner* — Prabhakar G Deshmukh

(74) *Attorney, Agent, or Firm* — Muncy, Geissler, Olds & Lowe, P.C.

(57) **CLAIM**

The ornamental design for a 3D controller, as shown and described.

**DESCRIPTION**

FIG. 1 is a front perspective view of a 3D controller according to the present invention.

FIG. 2 is a front view of the 3D controller of FIG. 1.

FIG. 3 is a rear view of the 3D controller of FIG. 1.

FIG. 4 is a left side view of the 3D controller of FIG. 1.

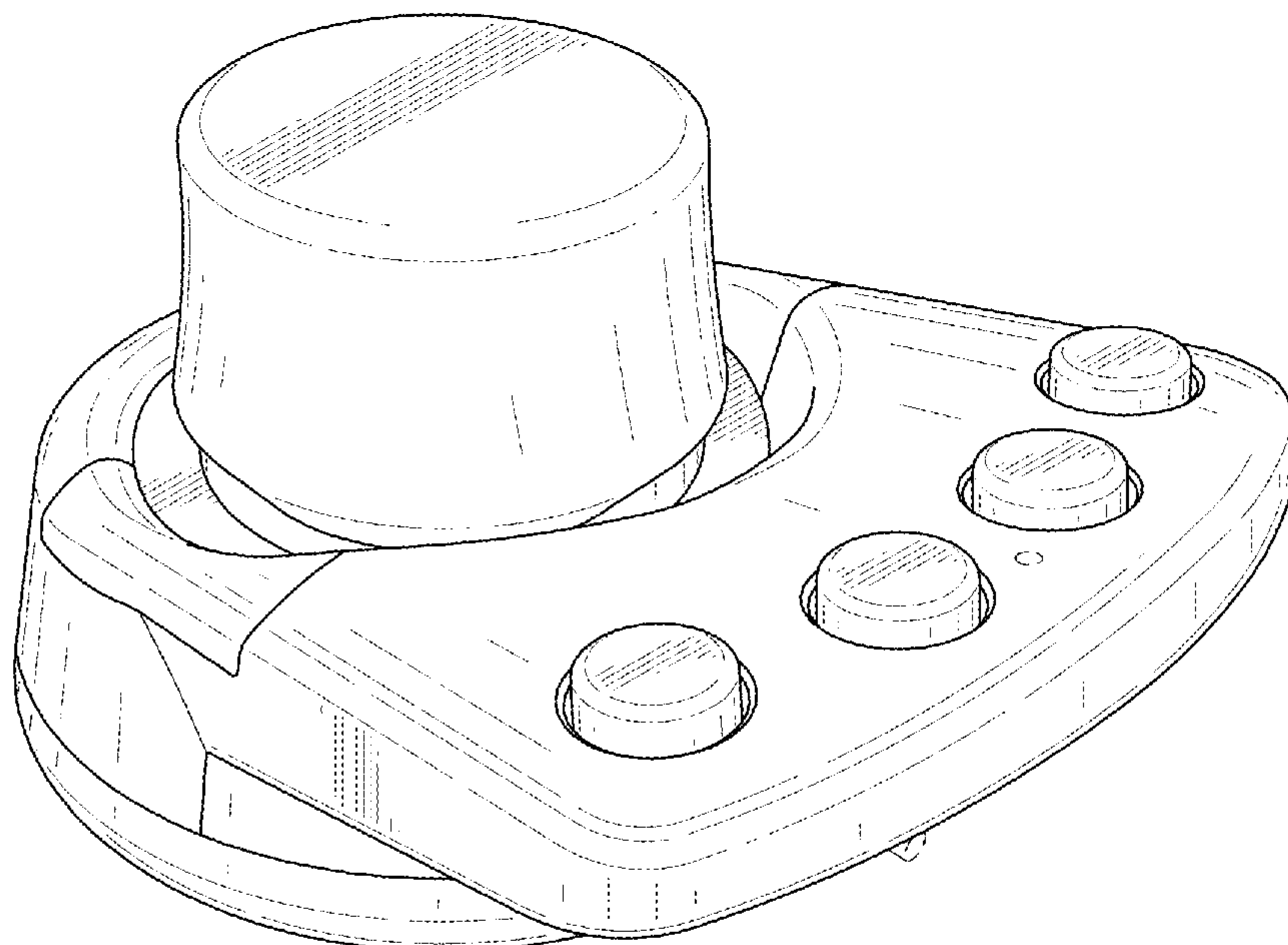
FIG. 5 is a right side view of the 3D controller of FIG. 1.

FIG. 6 is a top view of the 3D controller of FIG. 1; and,

FIG. 7 is a bottom view of the 3D controller of FIG. 1.

The broken lines illustrate unclaimed portions and form no part of the claimed design.

**1 Claim, 7 Drawing Sheets**



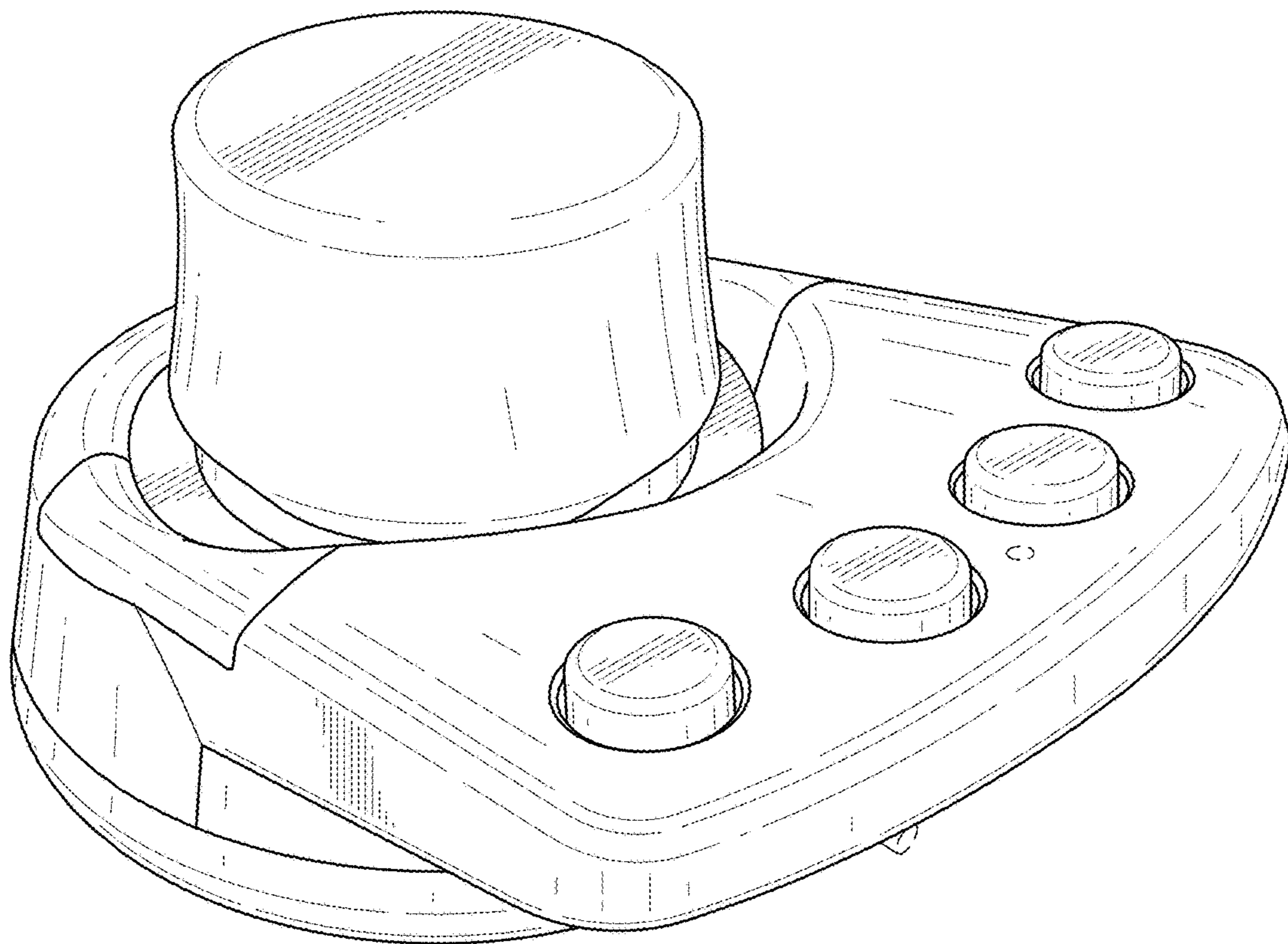


FIG.1

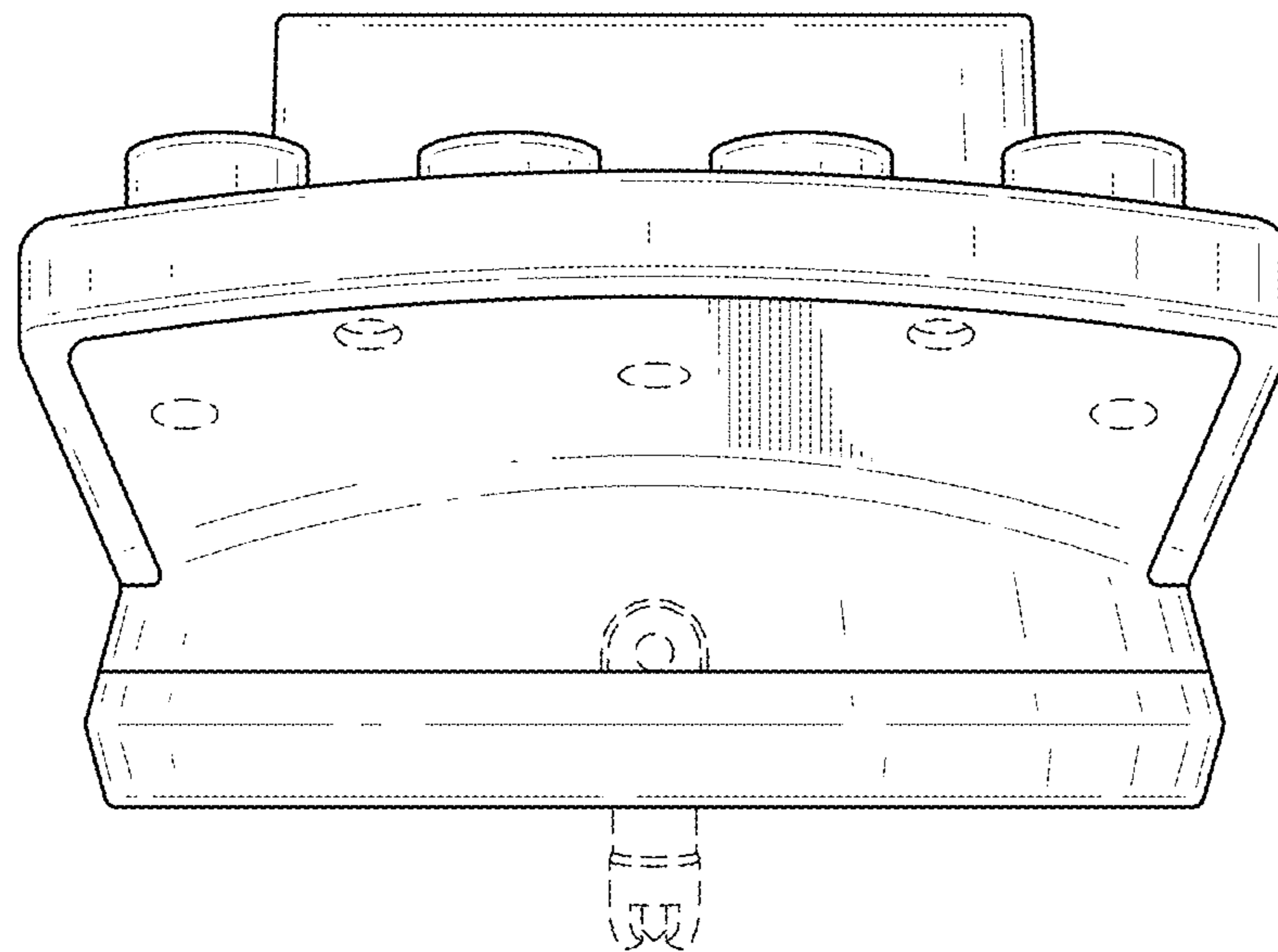


FIG.2

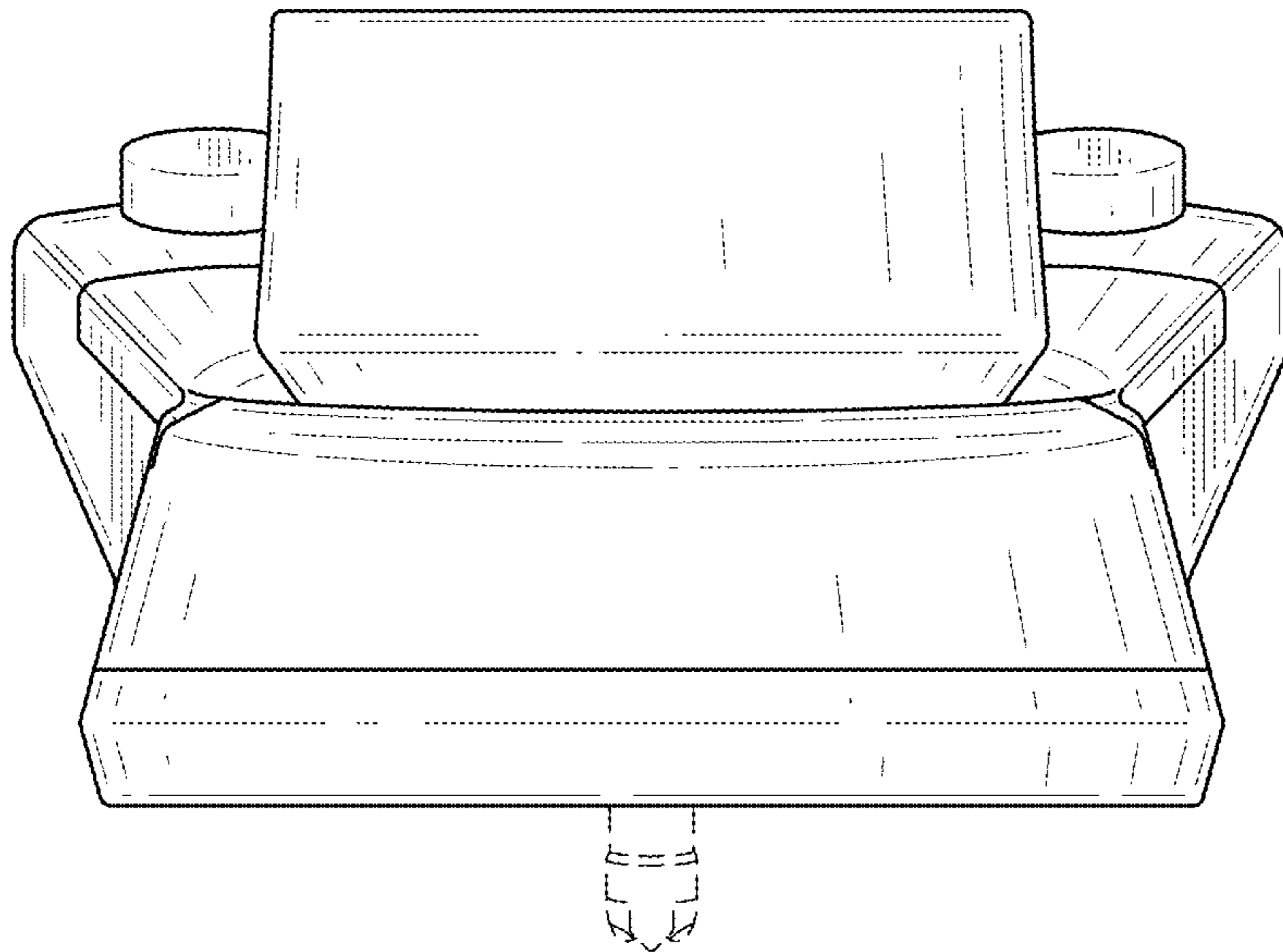


FIG.3

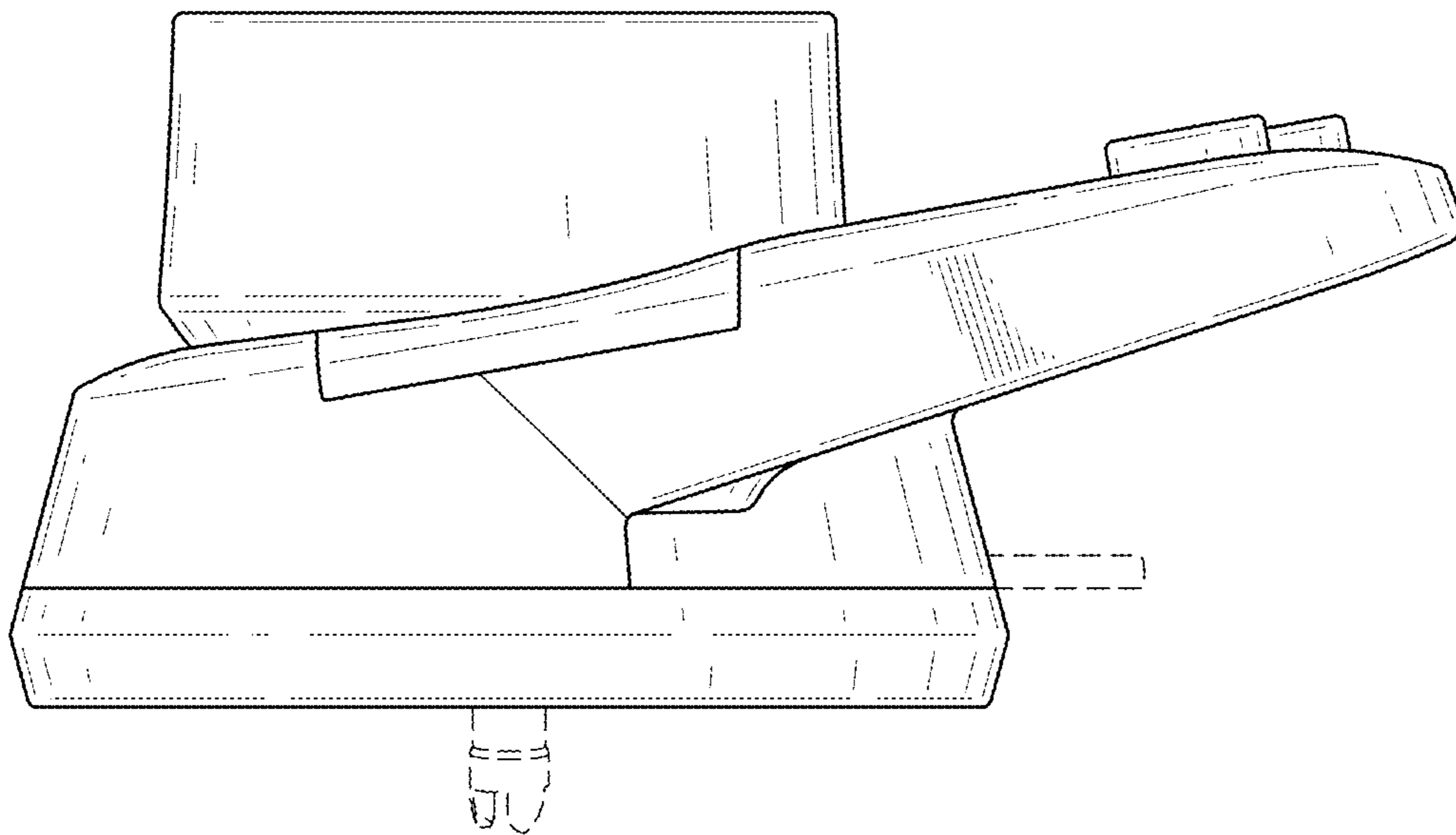


FIG.4

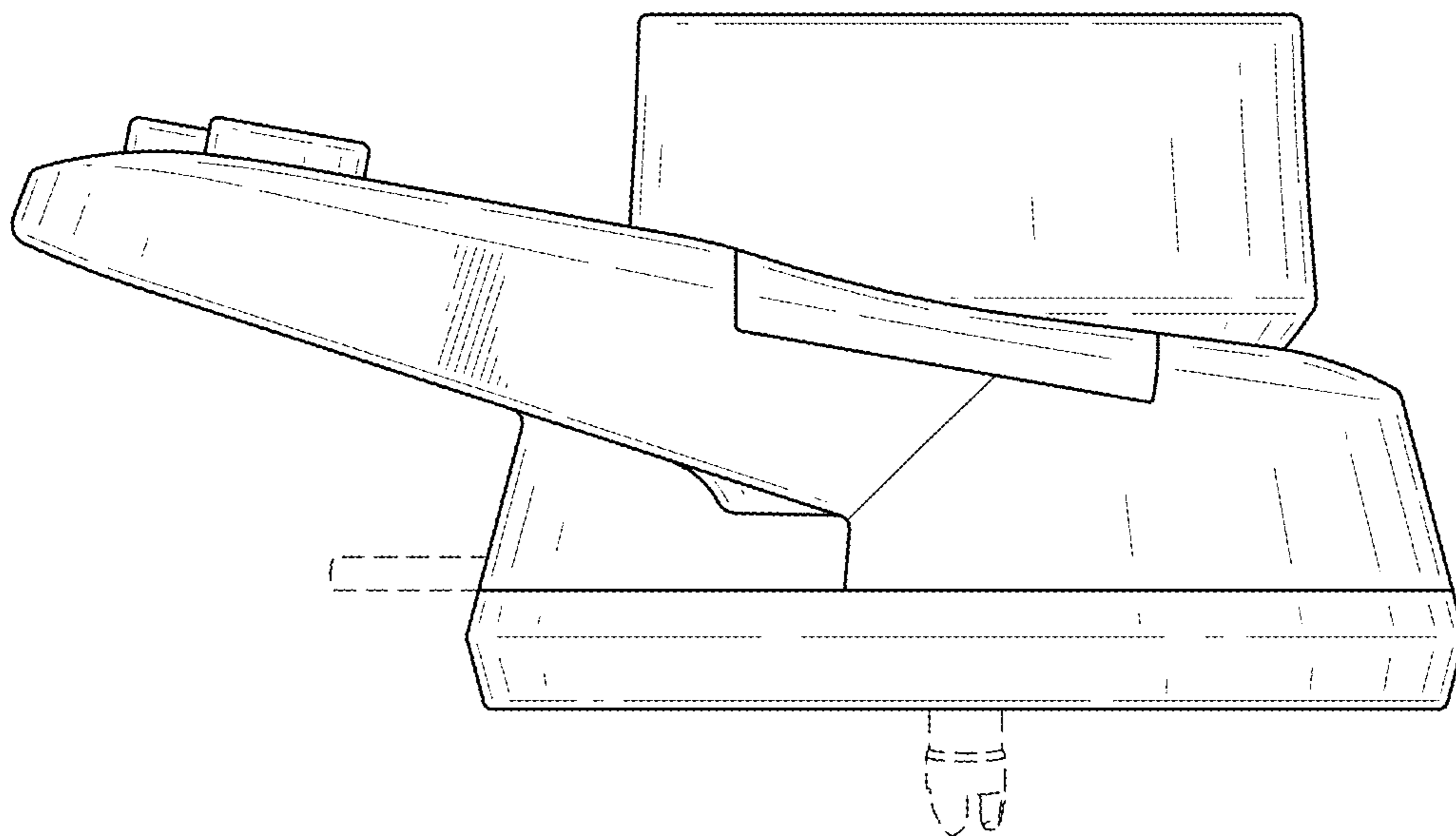


FIG.5

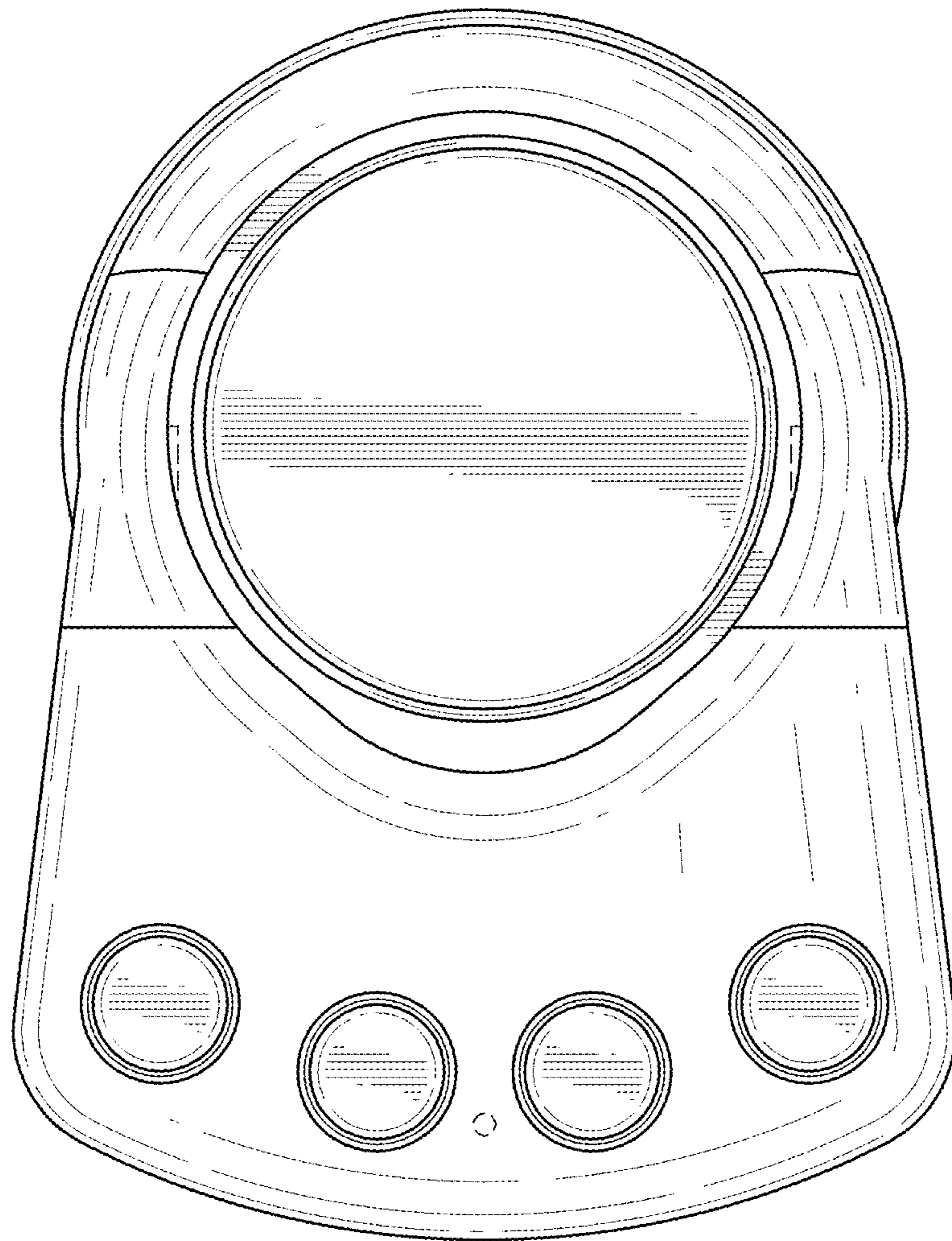


FIG.6

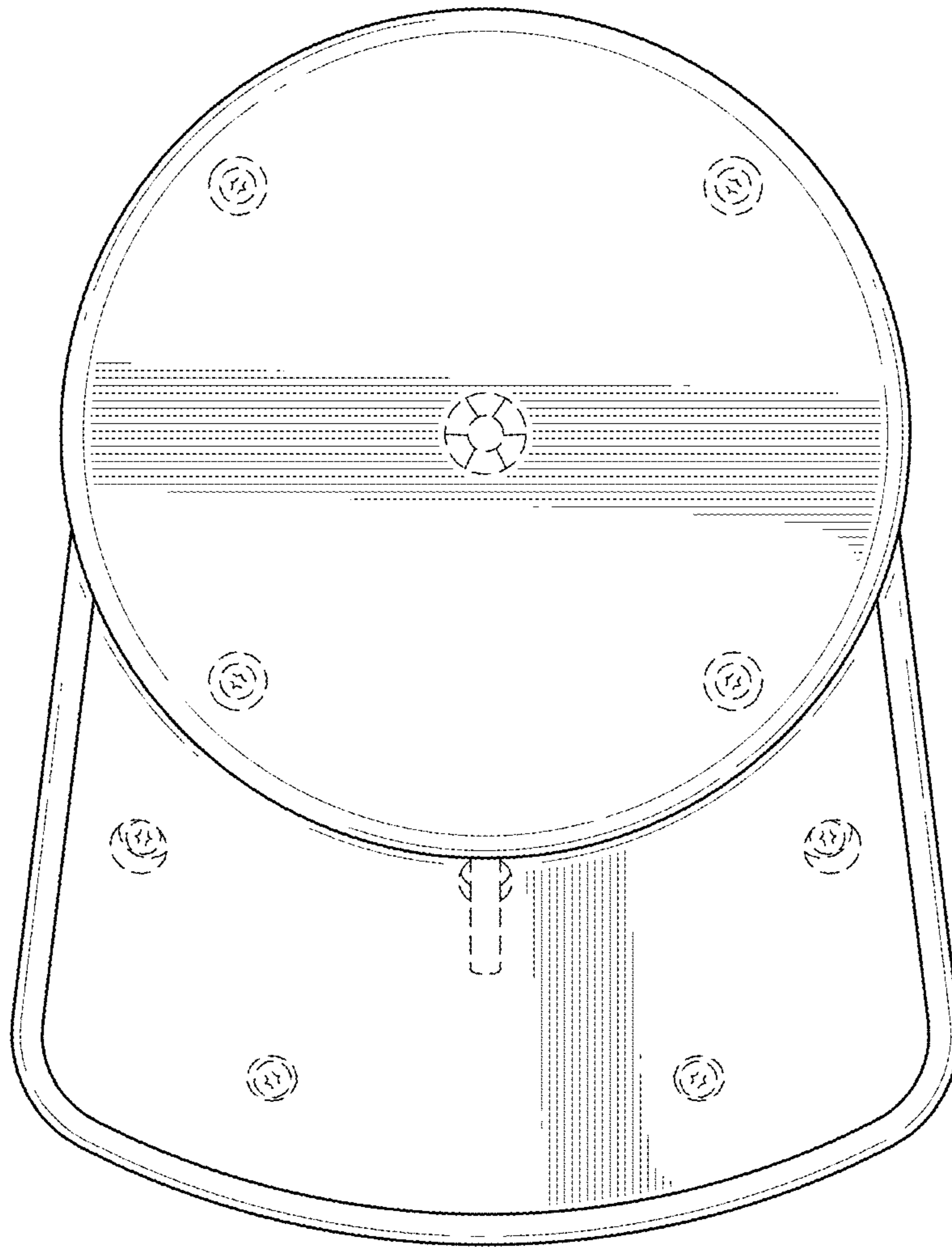


FIG.7