



US00D792882S

(12) **United States Design Patent**
Helwig et al.

(10) **Patent No.:** **US D792,882 S**

(45) **Date of Patent:** **** Jul. 25, 2017**

(54) **INPUT DEVICE**

(71) Applicant: **Logitech Europe S.A.**, Lausanne (CH)

(72) Inventors: **Marten Helwig**, Bern (CH); **Katharine Pulford**, Lausanne (CH); **Cathal Loughnane**, Co. Wexford (IE); **James Lynch**, Co. Dublin (IE); **Michael Nolan**, Thomastown (IE); **Padraig McLoughlin**, Co. Monogham (IE); **Tommy Zhu**, Suzhou (CN)

(73) Assignee: **Logitech Europe S.A.**, Lausanne (CH)

(**) Term: **15 Years**

(21) Appl. No.: **29/575,652**

(22) Filed: **Aug. 26, 2016**

Related U.S. Application Data

(62) Division of application No. 29/529,125, filed on Jun. 3, 2015, now Pat. No. Des. 768,633.

(51) **LOC (10) Cl.** **14-02**

(52) **U.S. Cl.**
USPC **D14/402**

(58) **Field of Classification Search**
USPC D14/402-411, 356, 388, 389, 383-385, D14/417, 426; 345/156-167; 463/36-38; 358/471, 473; 273/148 B
CPC G06F 3/03543; G06F 2203/0333; G06F 3/039; G06F 3/038; G06F 2203/0384
See application file for complete search history.

(56) **References Cited**

U.S. PATENT DOCUMENTS

D630,218 S * 1/2011 Kujawski D14/408
D638,837 S * 5/2011 Tzeng D14/402
D654,918 S * 2/2012 Cheng D14/402
D656,498 S * 3/2012 Kujawski D14/402

D663,730 S * 7/2012 Kim D14/402
D667,009 S * 9/2012 Kujawski D14/408
D676,849 S * 2/2013 Kujawski D14/408
D680,113 S * 4/2013 Li D14/409
D688,663 S * 8/2013 Widiaman D14/402
D709,883 S * 7/2014 Moon D14/402
D725,111 S * 3/2015 Jeong D14/408

(Continued)

Primary Examiner — Austin Murphy

(74) *Attorney, Agent, or Firm* — Kilpatrick, Townsend & Stockton, LLP

(57) **CLAIM**

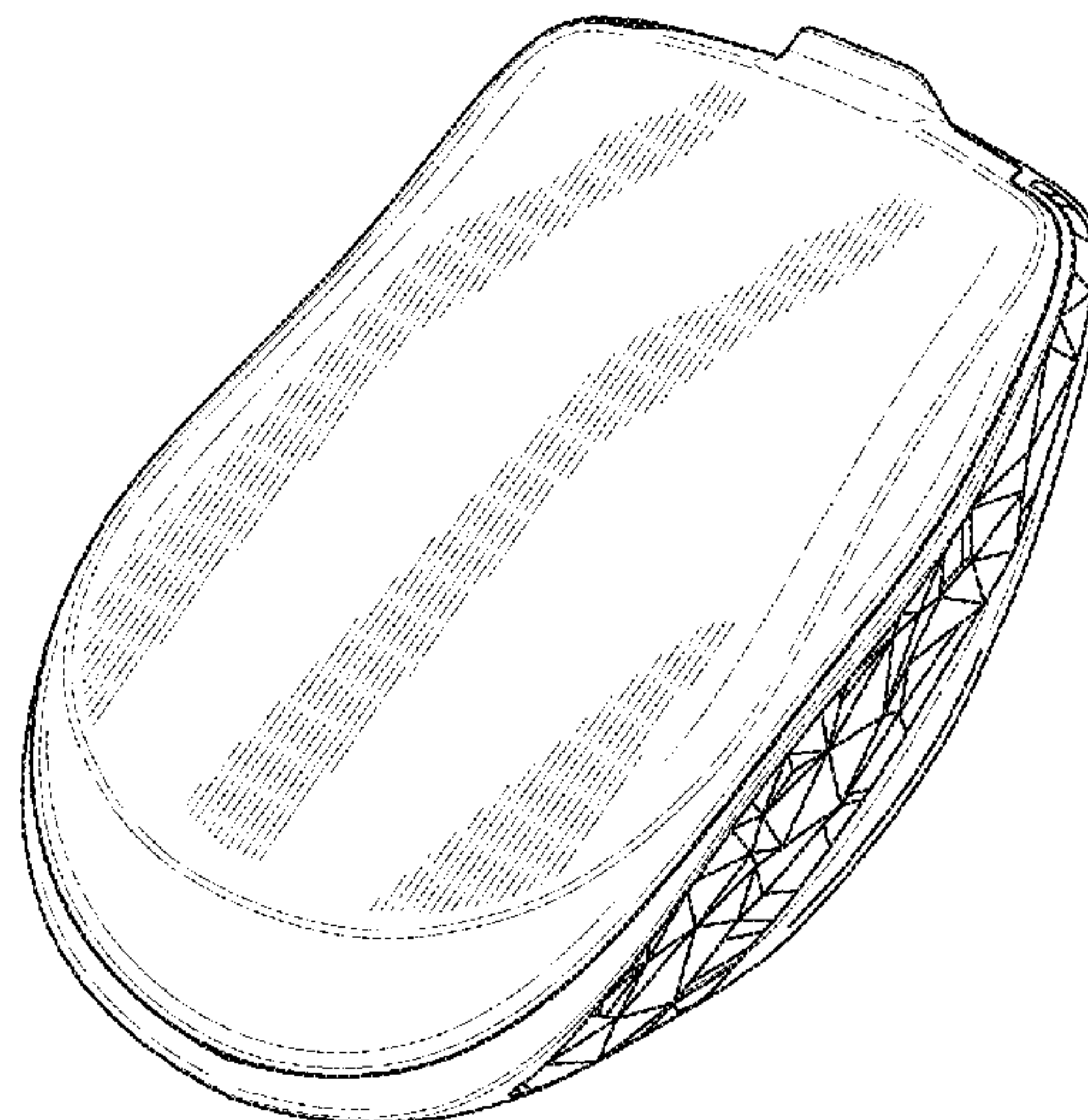
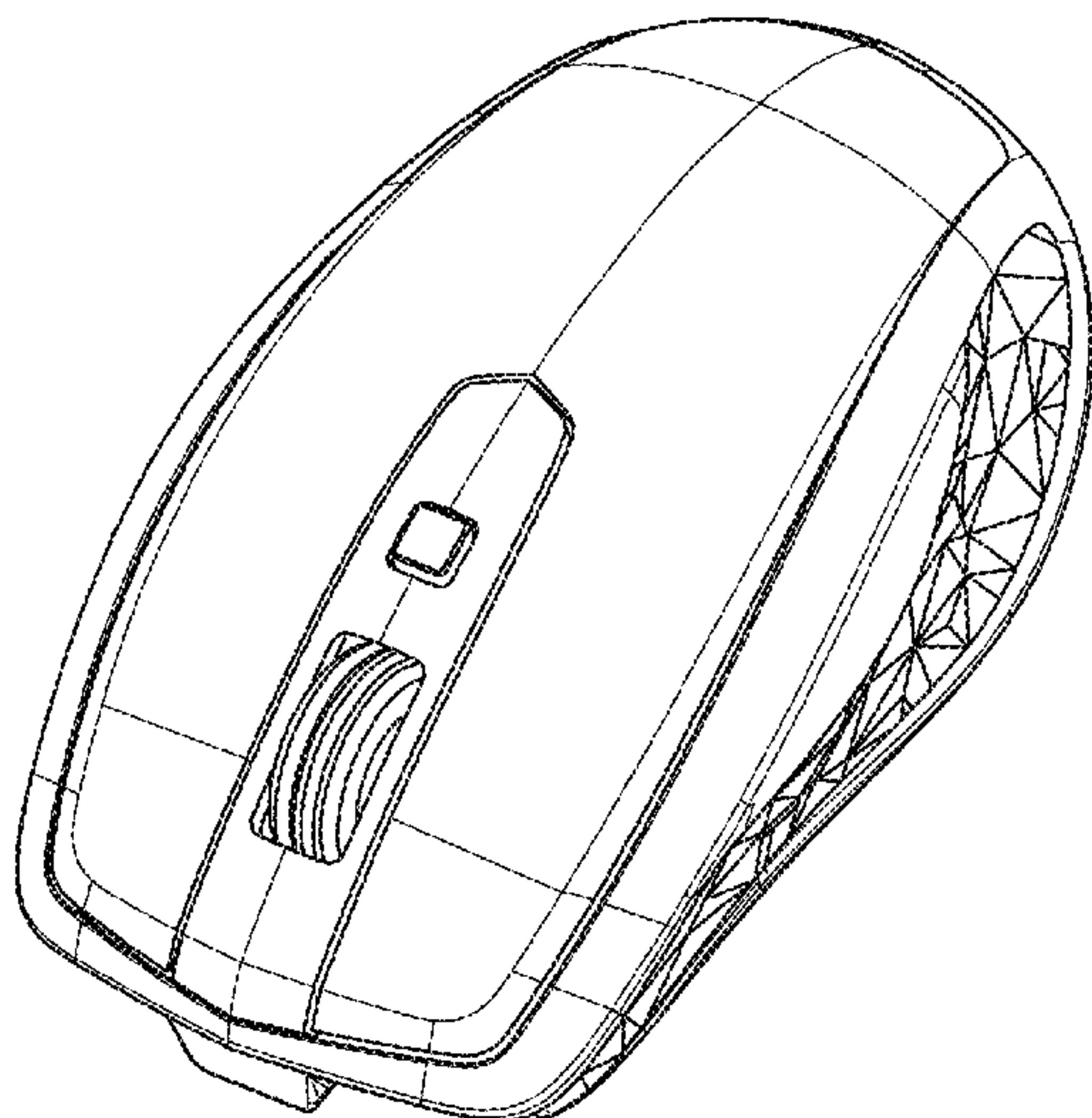
The ornamental design for input device, as shown and described.

DESCRIPTION

FIG. 1 is a perspective view of a first embodiment of an input device showing our new design;
FIG. 2 is a second perspective view thereof;
FIG. 3 is a third perspective view thereof;
FIG. 4 is a top plan view thereof;
FIG. 5 is a bottom plan view thereof;
FIG. 6 is a front elevational view thereof;
FIG. 7 is a rear elevational view thereof;
FIG. 8 is a right side elevational view thereof; and
FIG. 9 is a left side elevational view thereof.
FIG. 10 is a perspective view of a second embodiment of an input device showing our new design;
FIG. 11 is a second perspective view thereof;
FIG. 12 is a third perspective view thereof;
FIG. 13 is a top plan view thereof;
FIG. 14 is a bottom plan view thereof;
FIG. 15 is a front elevational view thereof;
FIG. 16 is a rear elevational view thereof;
FIG. 17 is a right side elevational view thereof; and,
FIG. 18 is a left side elevational view thereof.

The broken lines shown represent unclaimed subject matter and form no part of the claimed design.

1 Claim, 10 Drawing Sheets



(56)

References Cited

U.S. PATENT DOCUMENTS

D738,884 S * 9/2015 Zheng D14/408
D768,633 S * 10/2016 Helwig D14/402

* cited by examiner

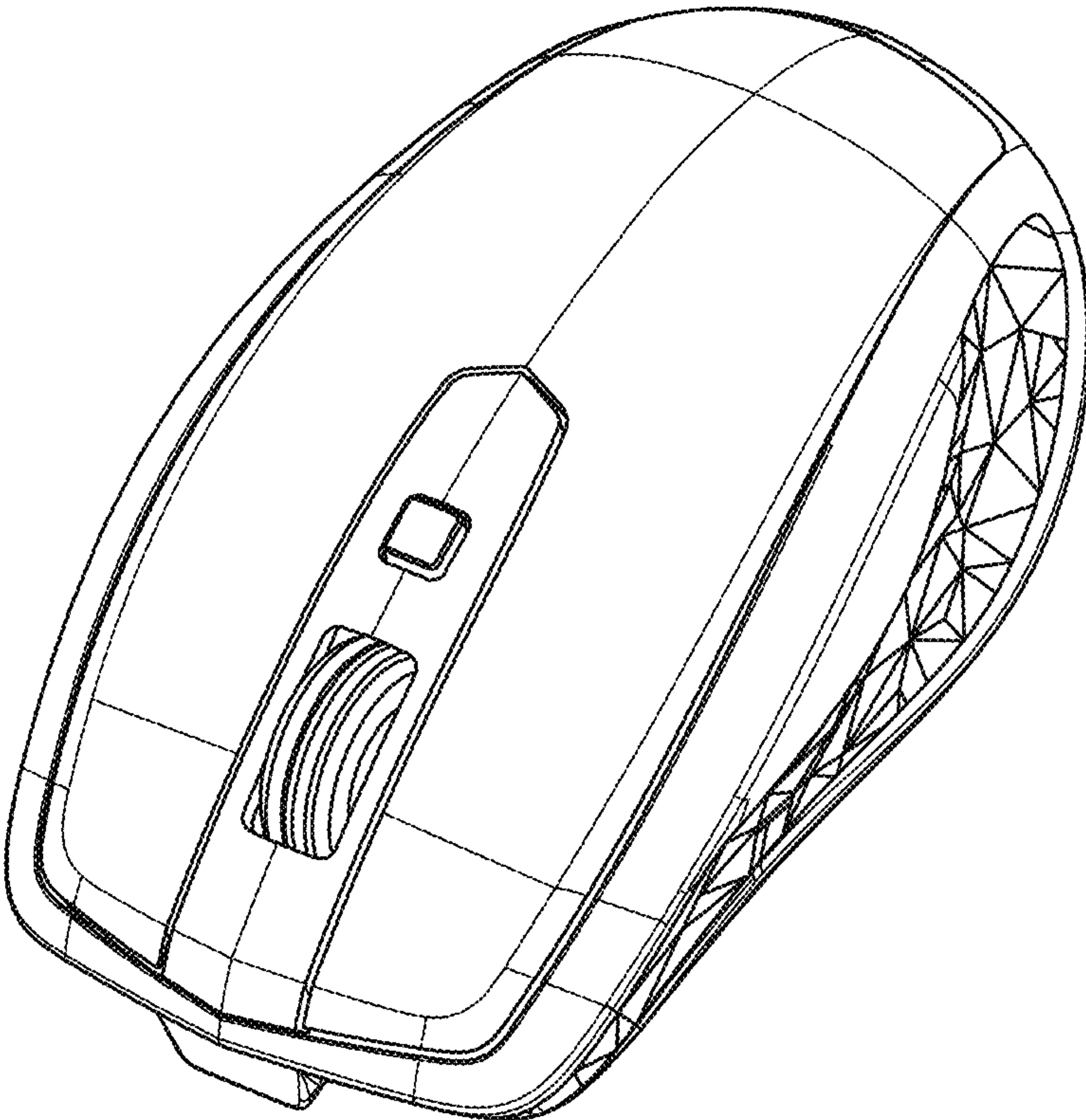


FIG. 1

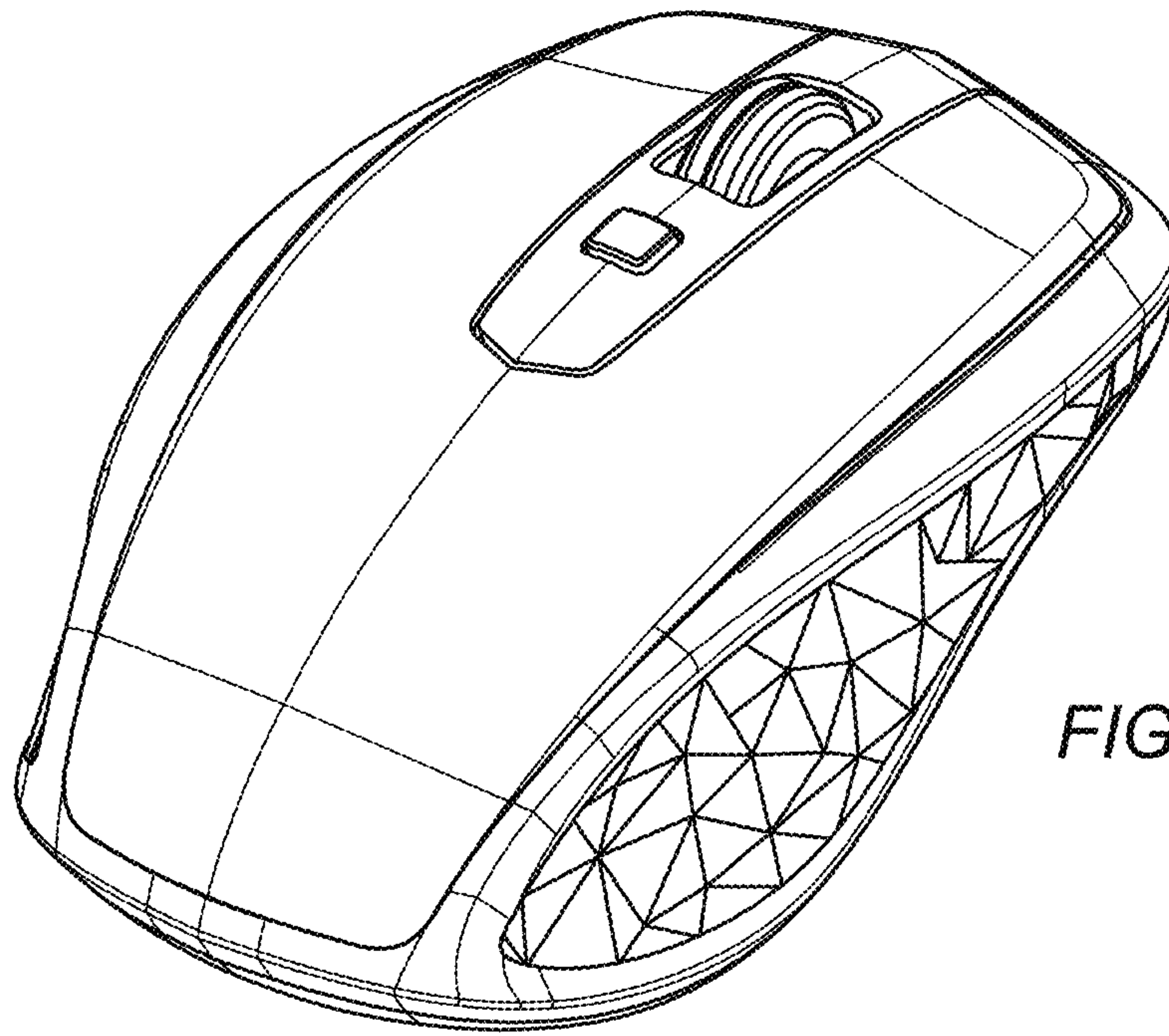


FIG. 2

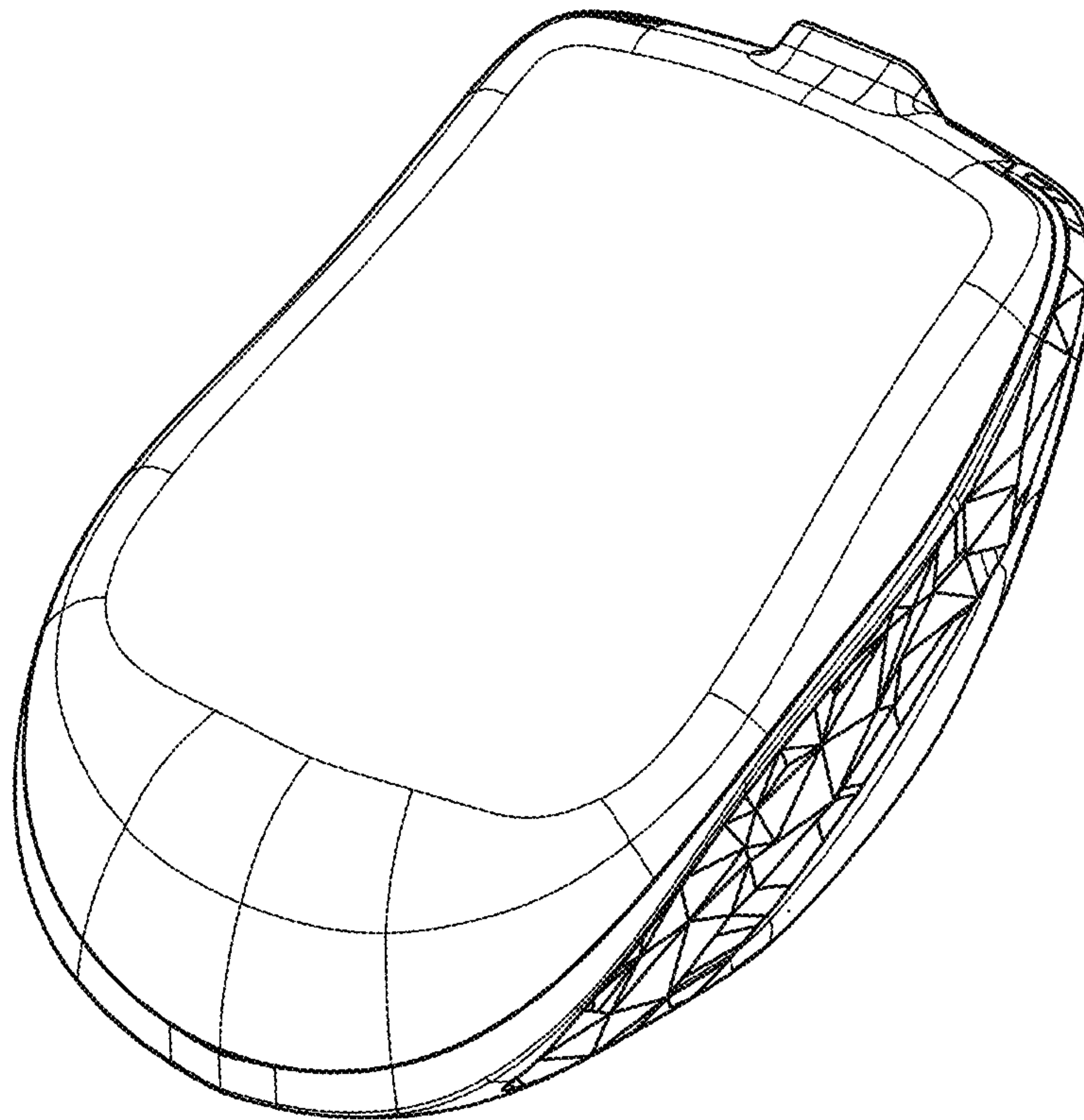


FIG. 3

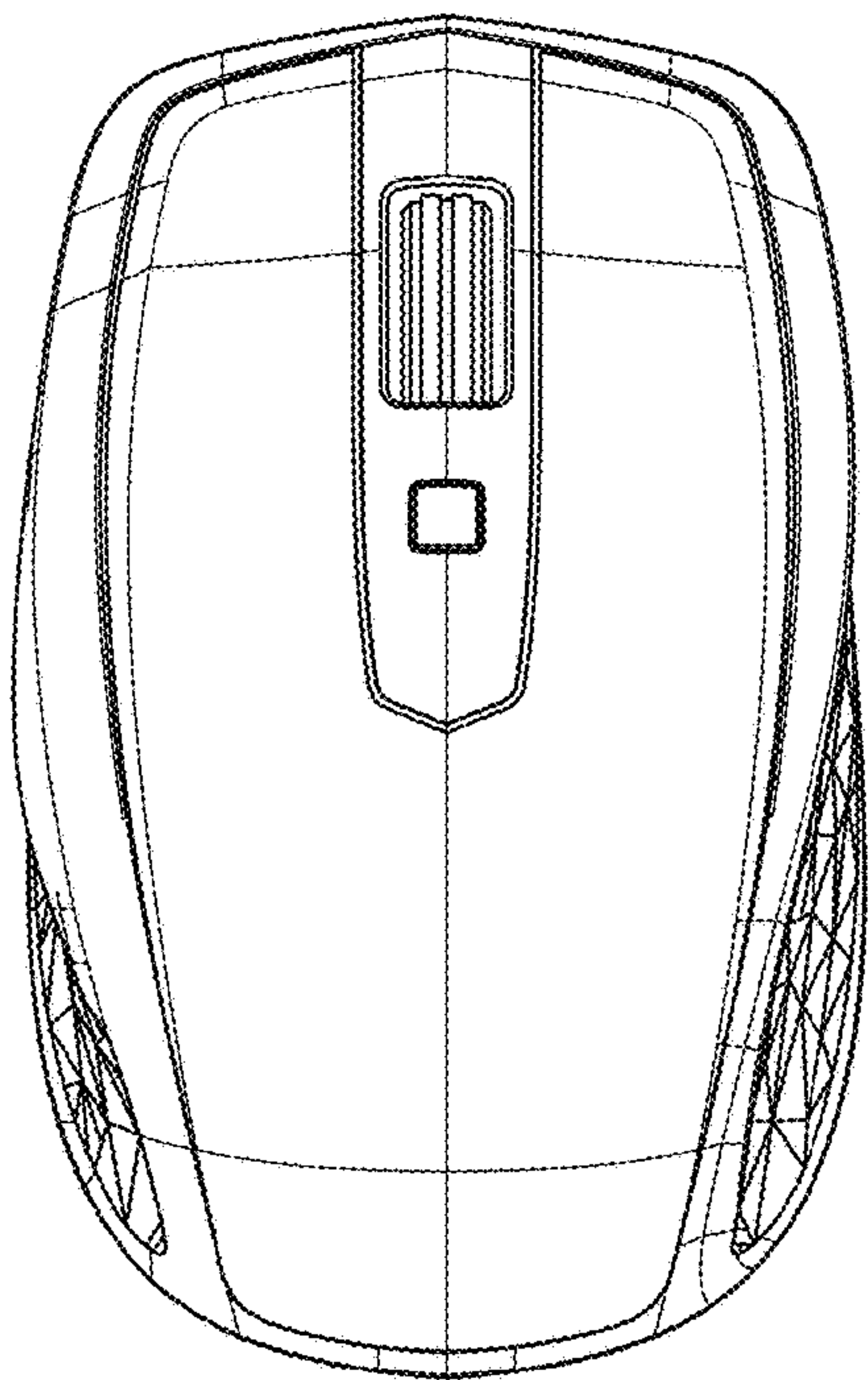


FIG. 4

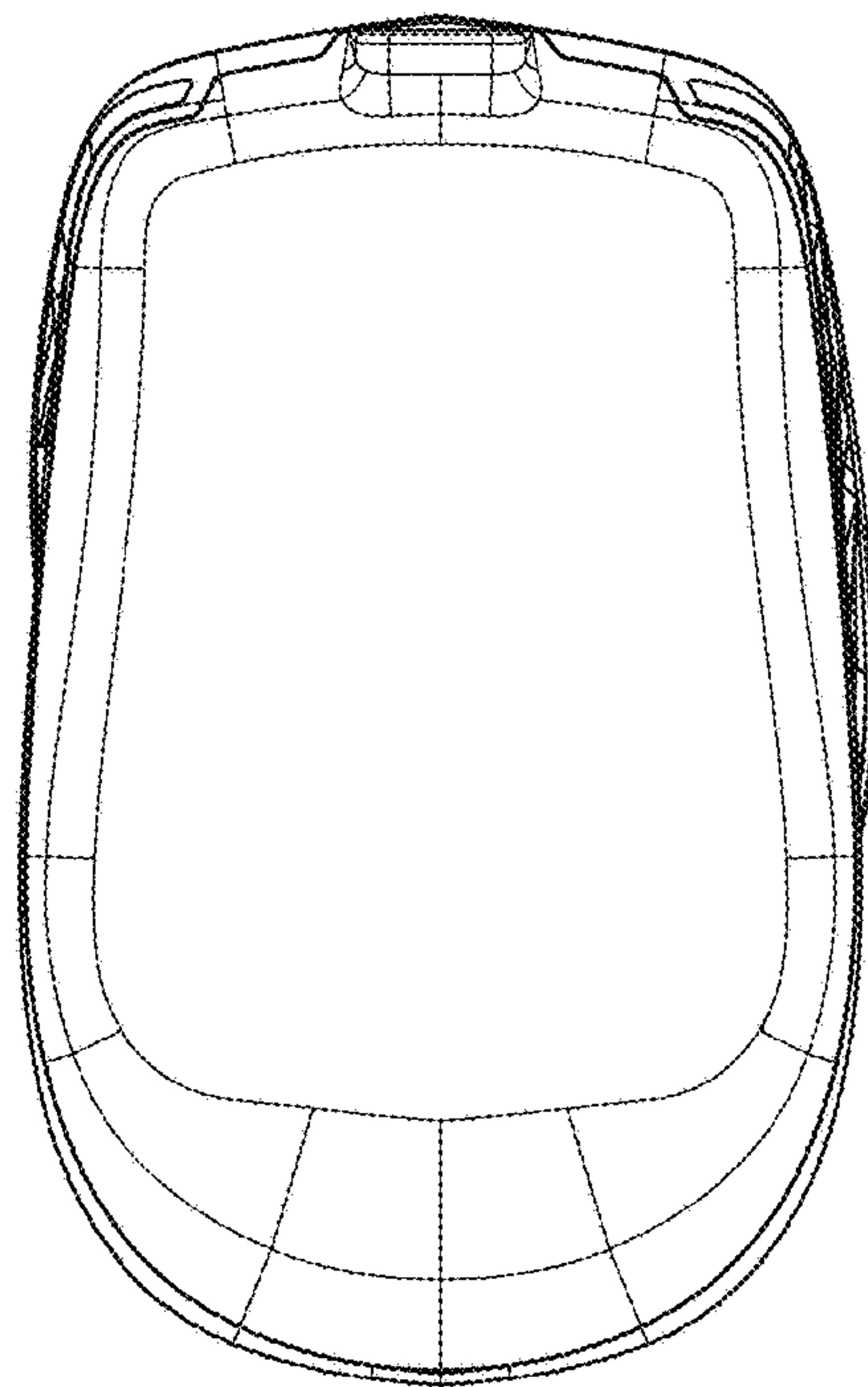


FIG. 5

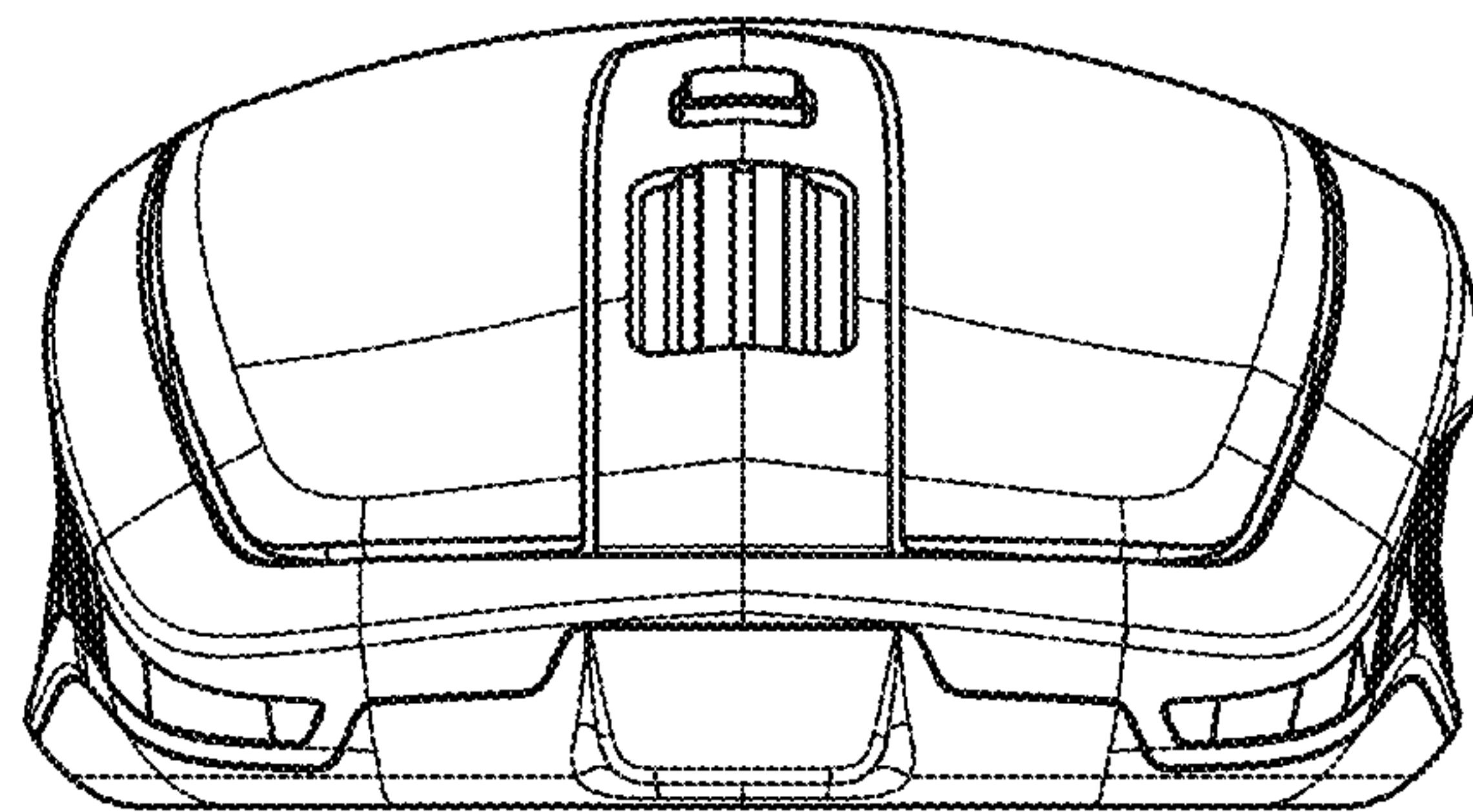


FIG. 6

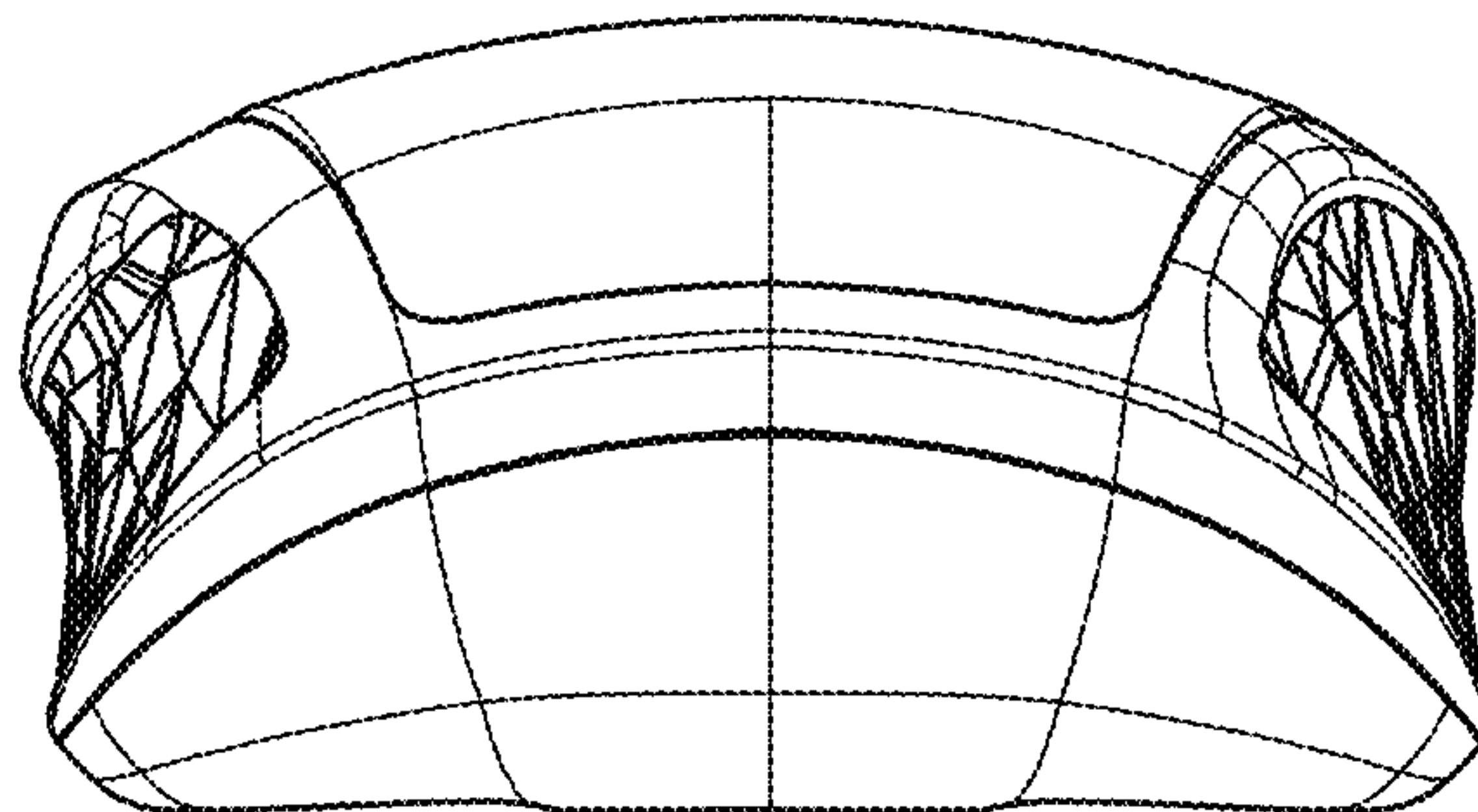


FIG. 7

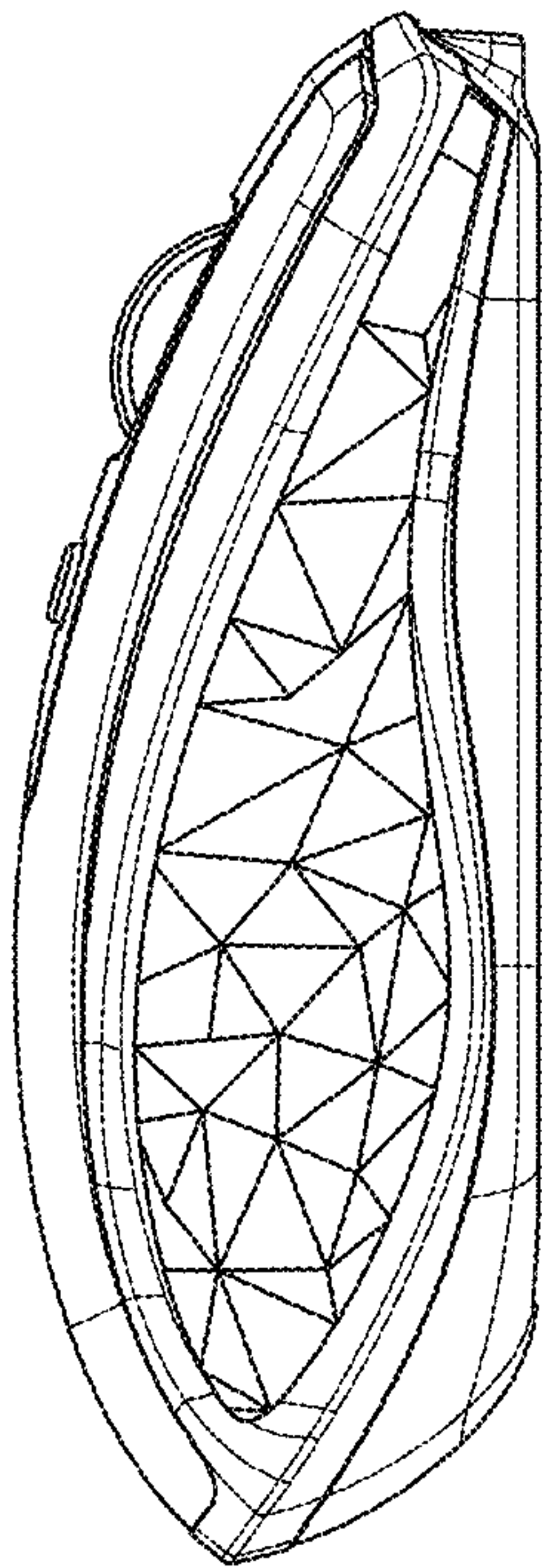


FIG. 8

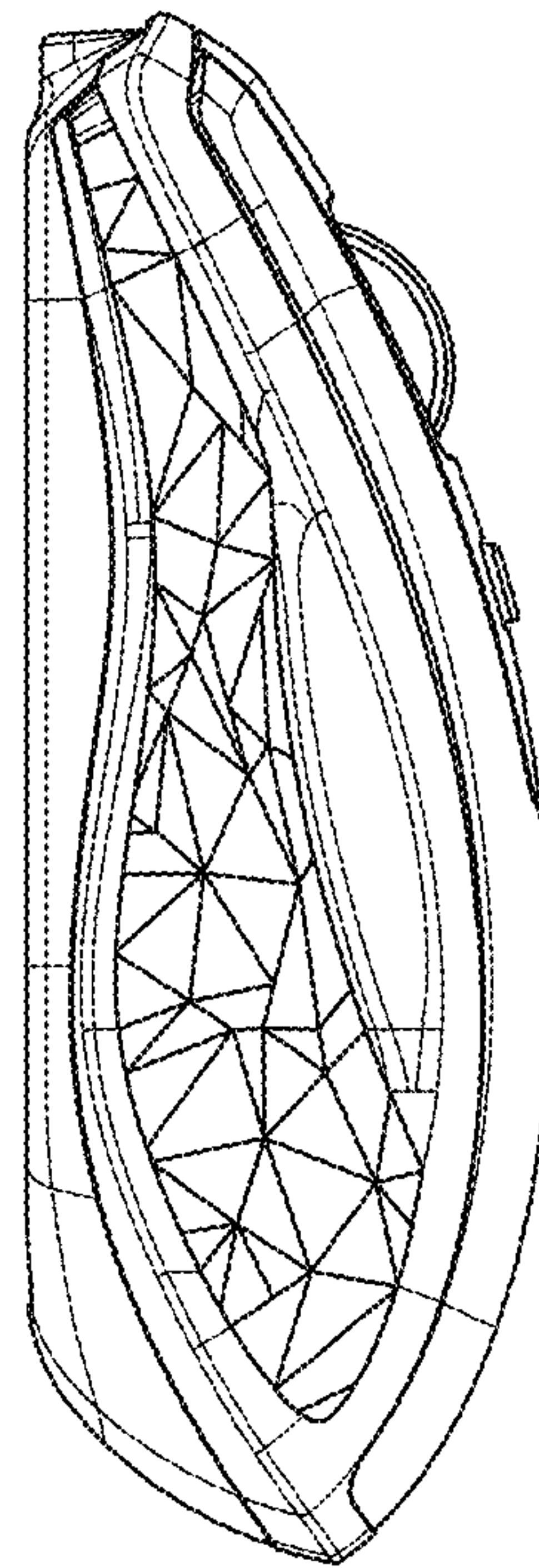


FIG. 9

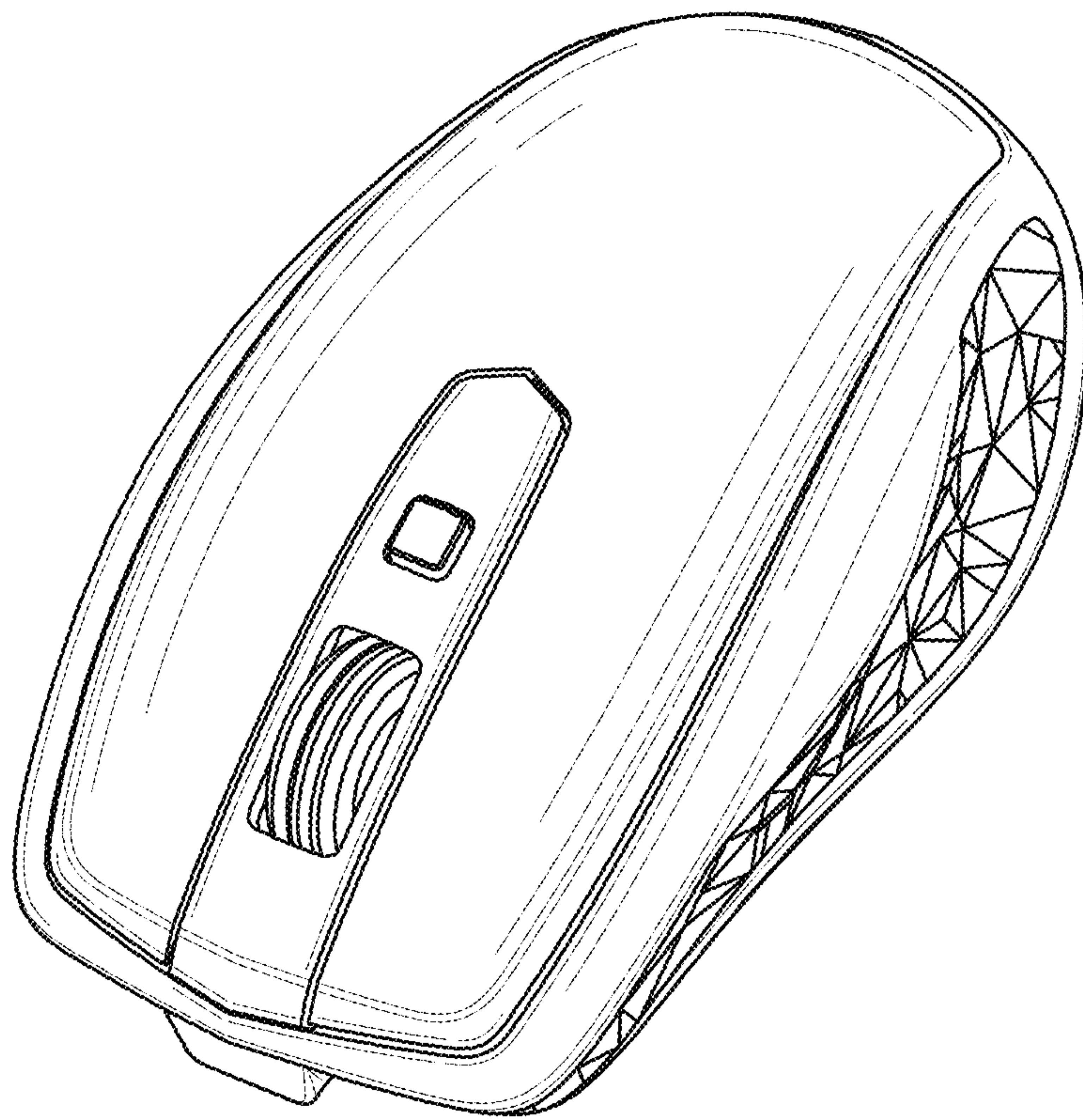


FIG. 10

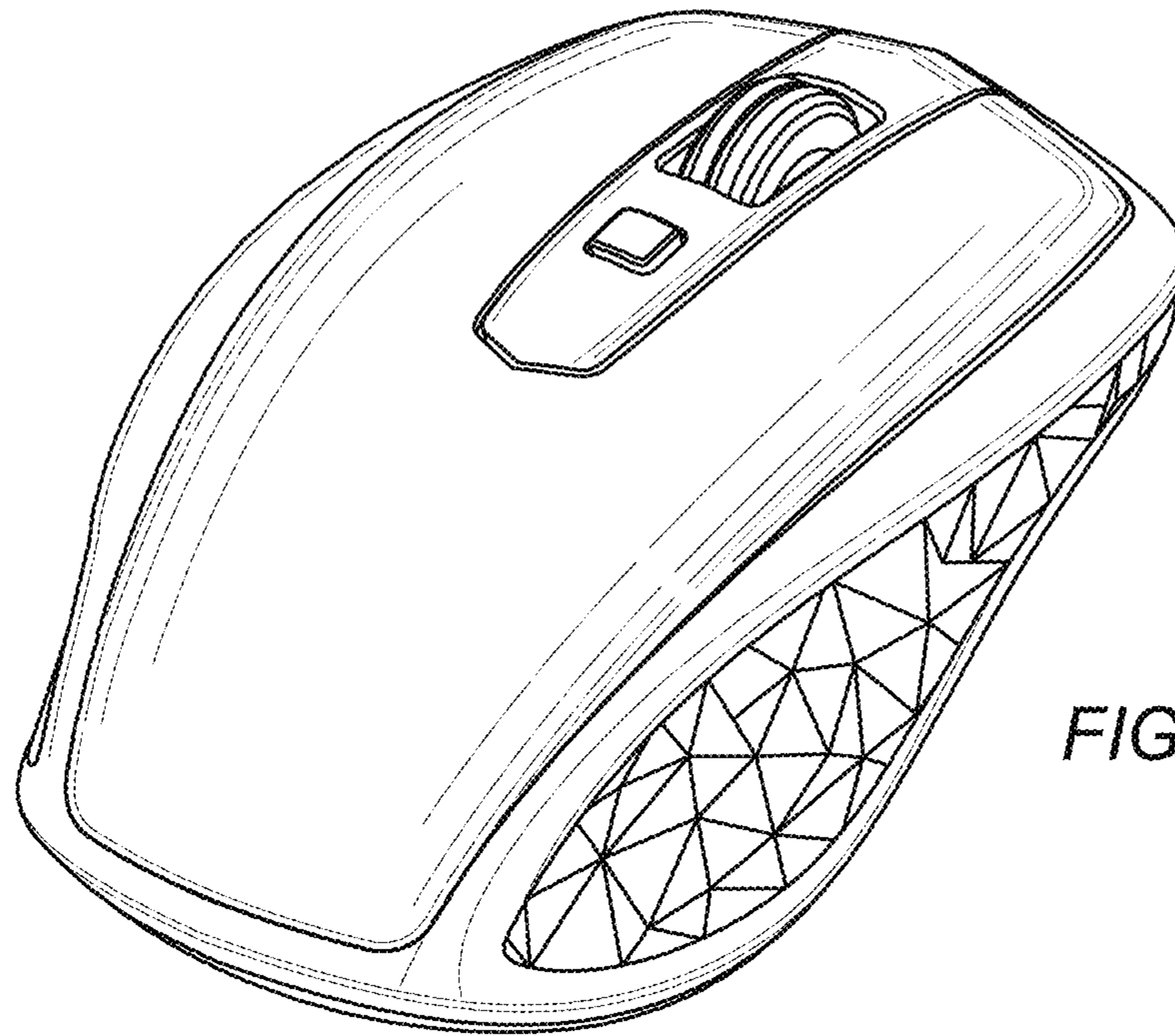


FIG. 11

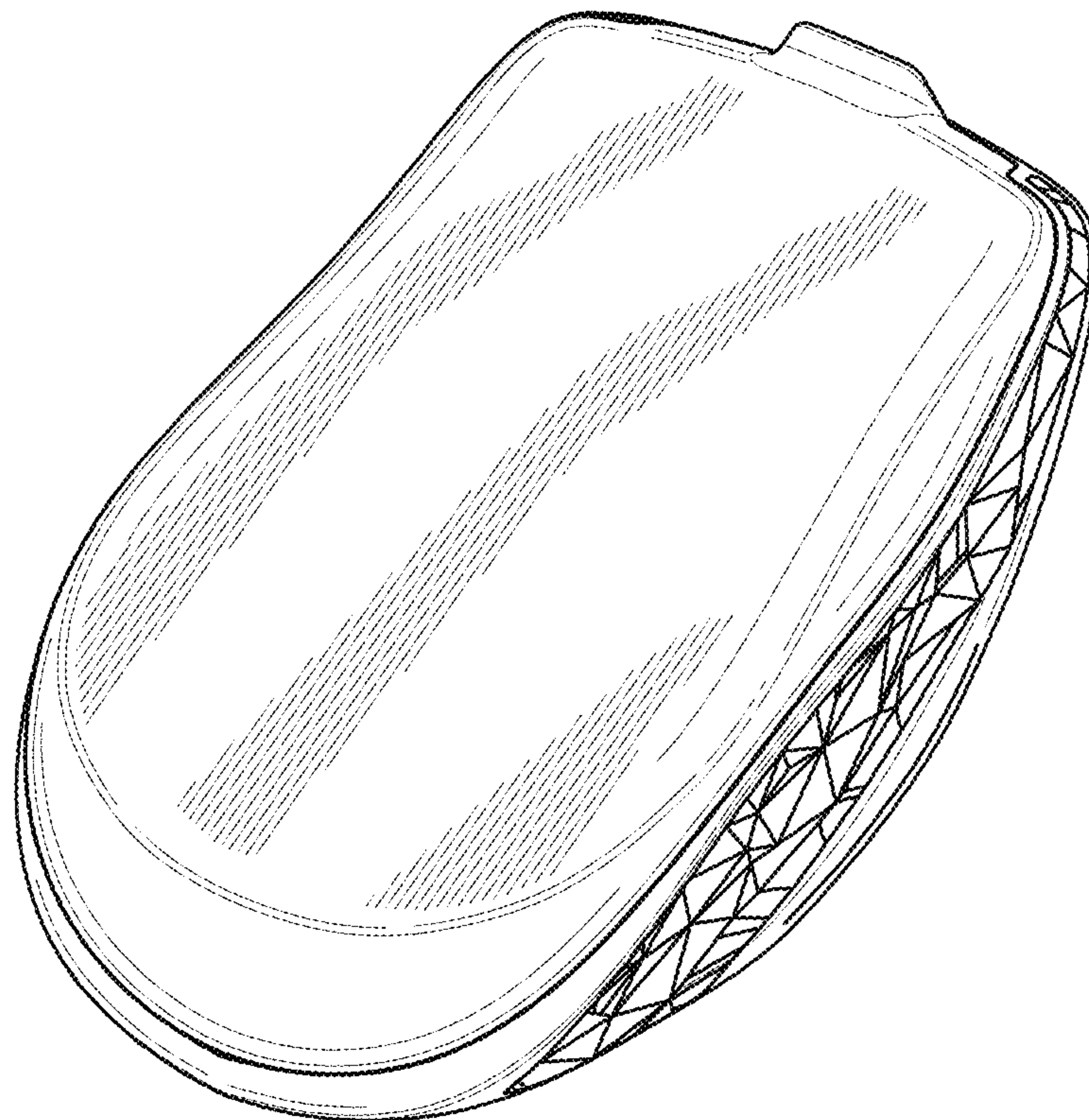


FIG. 12

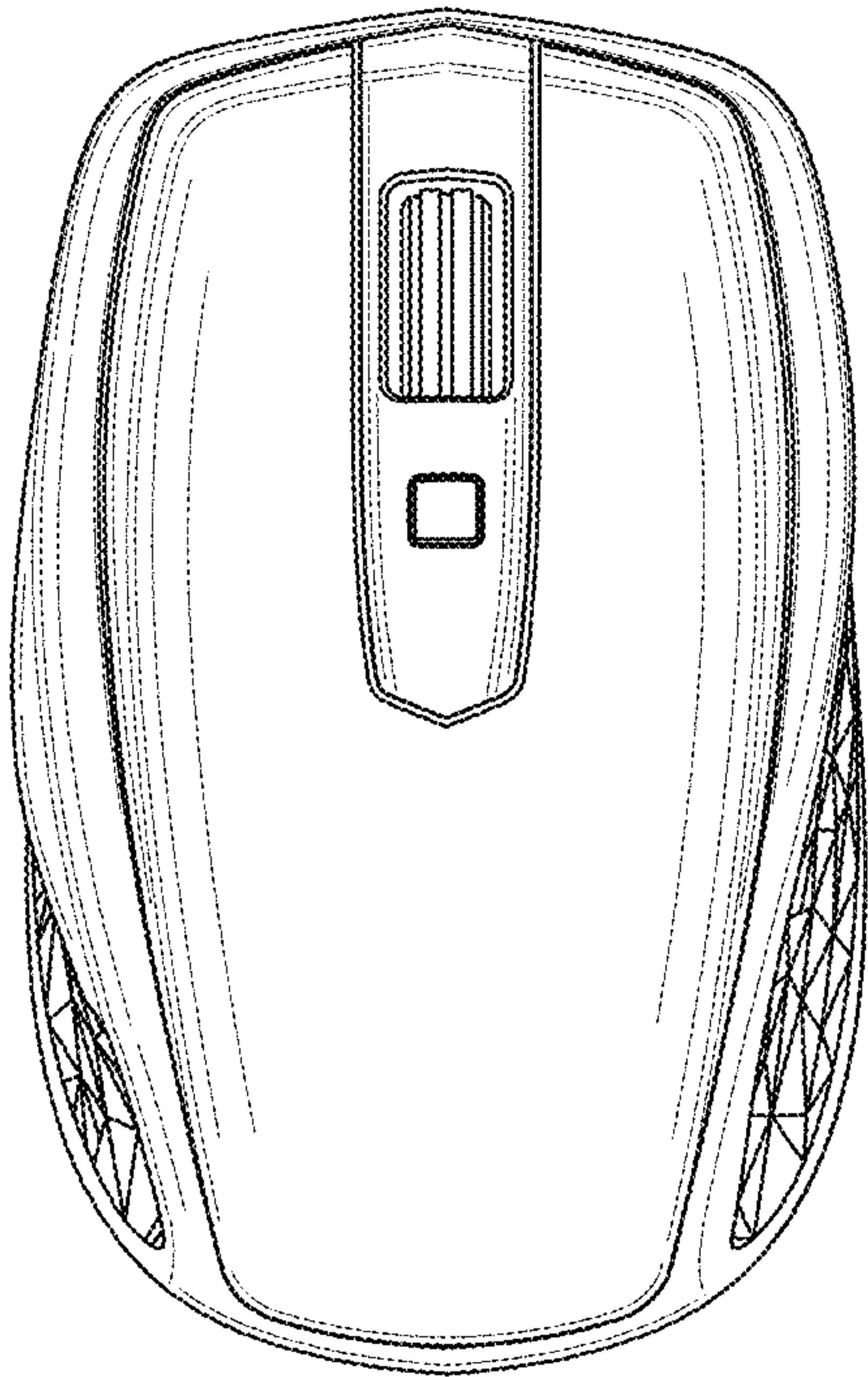


FIG. 13

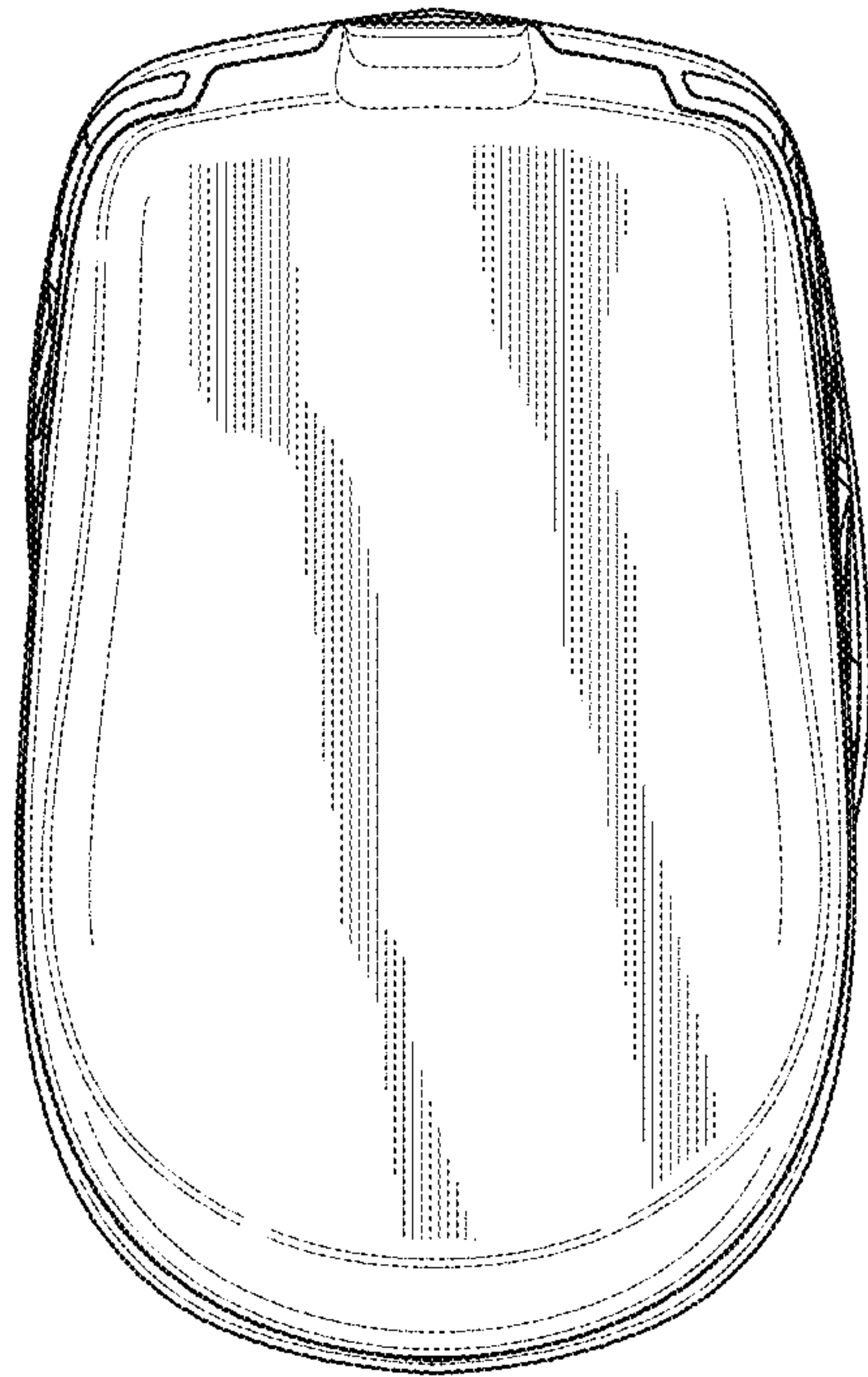


FIG. 14

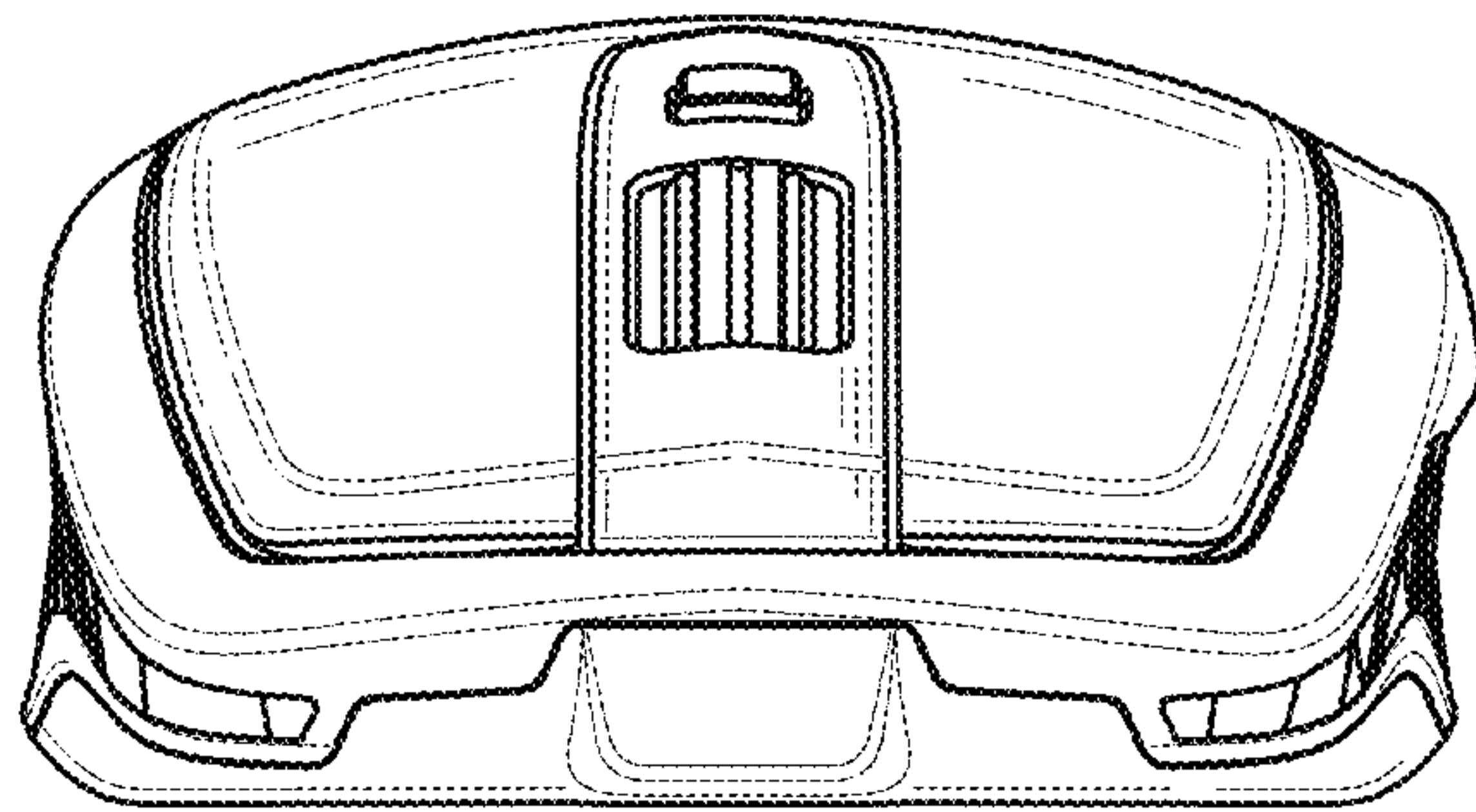


FIG. 15

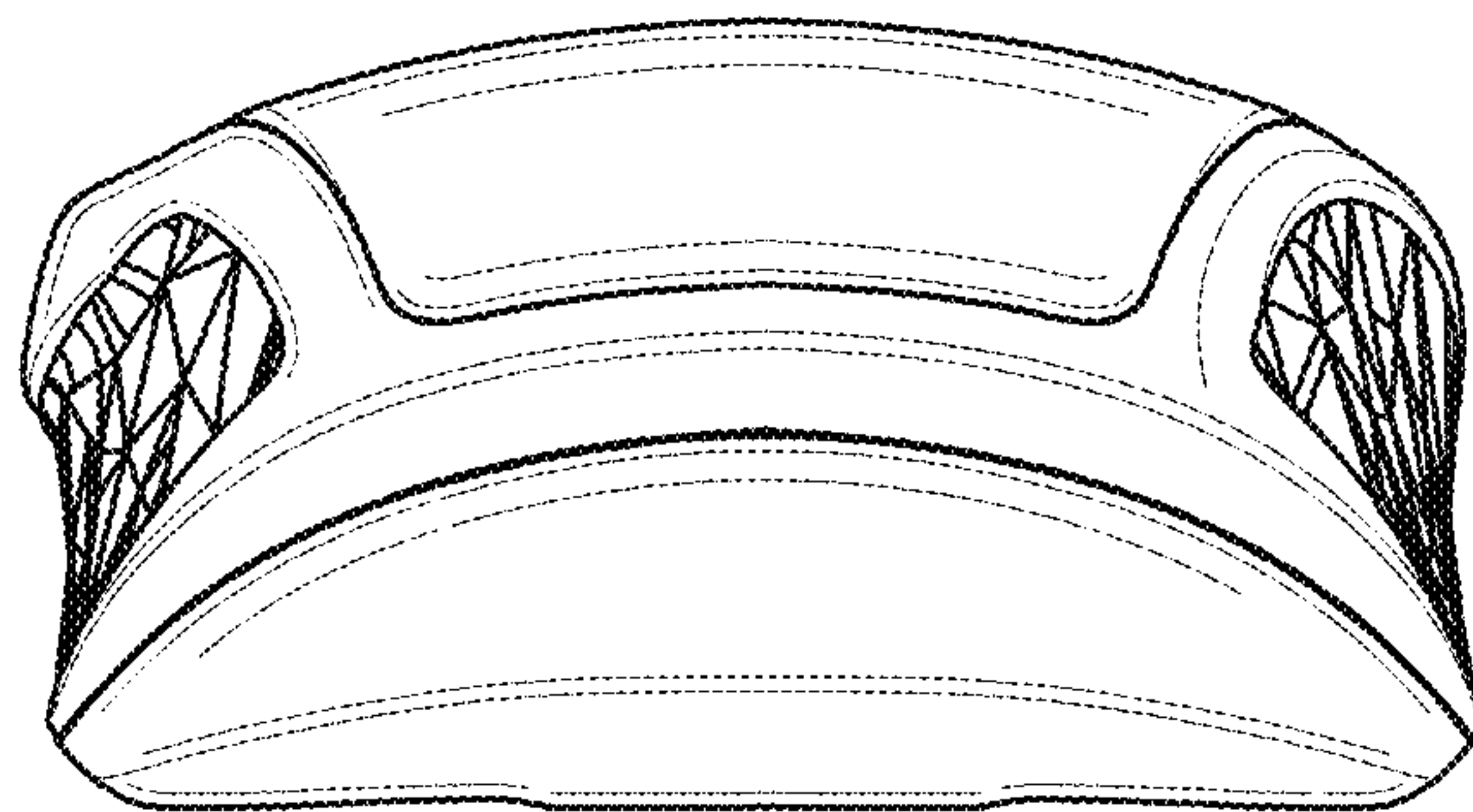


FIG. 16

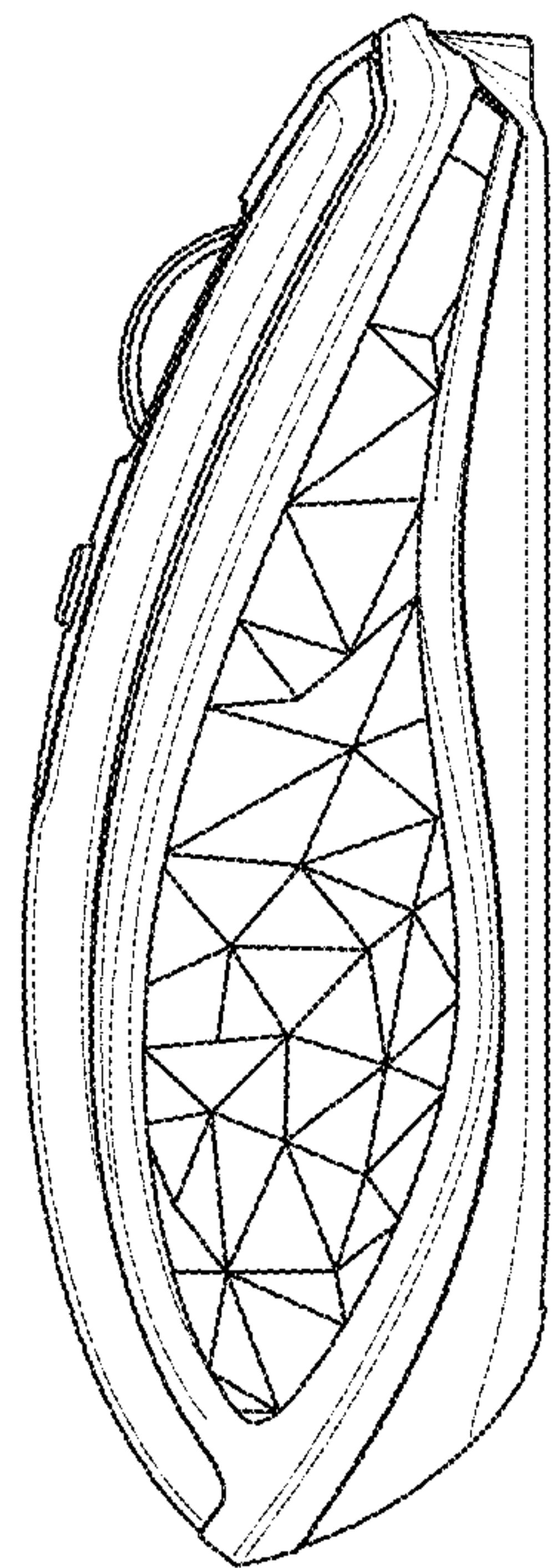


FIG. 17

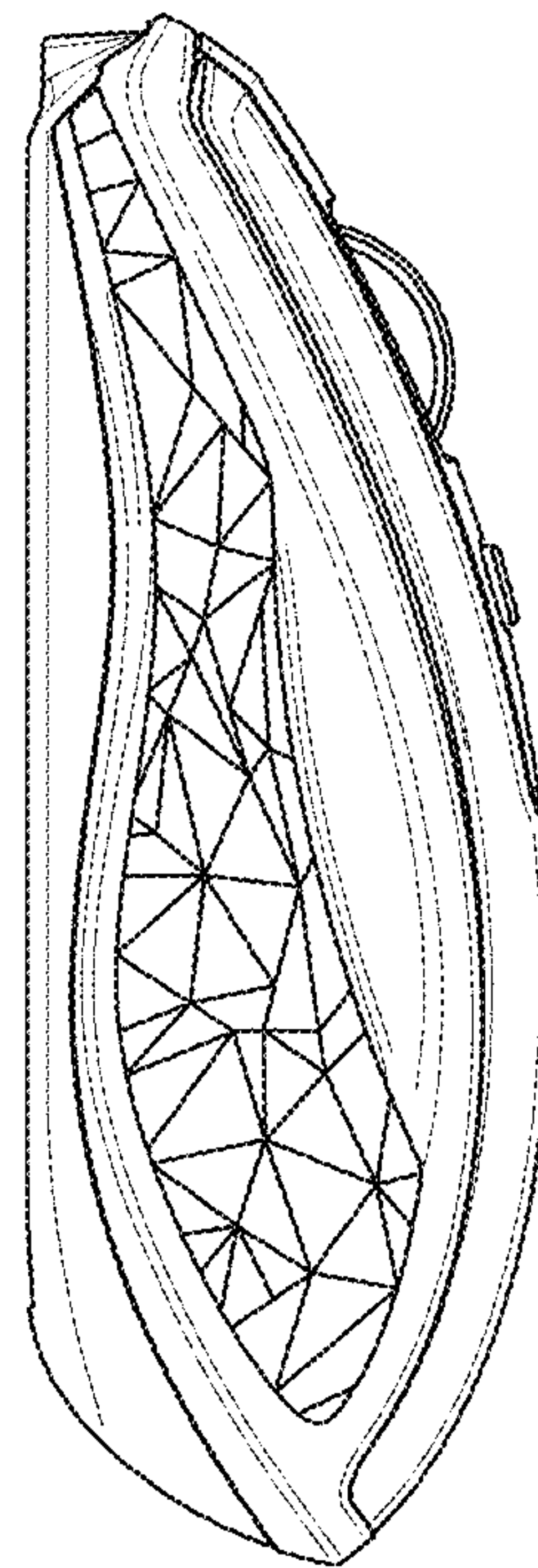


FIG. 18