



US00D792879S

(12) **United States Design Patent**
Nakamura et al.

(10) **Patent No.:** **US D792,879 S**
(45) **Date of Patent:** **** Jul. 25, 2017**

- (54) **VIRTUAL REALITY HEADSET**
- (71) Applicant: **Particle Inc.**, New York, NY (US)
- (72) Inventors: **Reiko Nakamura**, New York, NY (US); **Josh Rigling**, Burlington, VT (US)
- (73) Assignee: **Particle Inc.**, New York, NY (US)
- (**) Term: **15 Years**
- (21) Appl. No.: **29/562,623**
- (22) Filed: **Apr. 27, 2016**
- (51) **LOC (10) Cl.** **14-02**
- (52) **U.S. Cl.**
USPC **D14/372**
- (58) **Field of Classification Search**
USPC D14/372, 496, 432, 371, 125, 126, 129, D14/299; D16/300-342; 351/158, 153, 351/144; 345/7-9, 905; 455/344; 348/115, 53, 121, 739
CPC G02B 27/017; G02B 27/0158; G02B 27/0161; G02B 27/0181; G02B 27/0185; G02B 27/0189
See application file for complete search history.

- D751,072 S * 3/2016 Lyons D14/372
- D755,789 S * 5/2016 Lyons D14/372
- D757,003 S * 5/2016 Goossens D14/372
- D757,726 S * 5/2016 Lee D14/372
- D765,658 S * 9/2016 Spio D14/372

* cited by examiner

Primary Examiner — Austin Murphy

(74) *Attorney, Agent, or Firm* — Leason Ellis LLP

(57) **CLAIM**

The ornamental design for a virtual reality headset, as shown and described.

DESCRIPTION

FIG. 1 is a top and front perspective view of a virtual reality headset according to our new design and being shown in an assembled condition;

FIG. 2 is a rear elevation view of the virtual reality headset prior to assembly;

FIG. 3 is a front elevation view thereof prior to assembly;

FIG. 4 is a top plan view thereof prior to assembly;

FIG. 5 is a bottom plan view thereof prior to assembly;

FIG. 6 is a left side elevation view thereof prior to assembly;

FIG. 7 is a right side elevation view thereof prior to assembly;

FIG. 8 is a front elevation view thereof being worn by a user;

FIG. 9 is a right side elevation view thereof being worn by the user; and,

FIG. 10 is a partial top and rear perspective of the virtual reality headset in the assembled position.

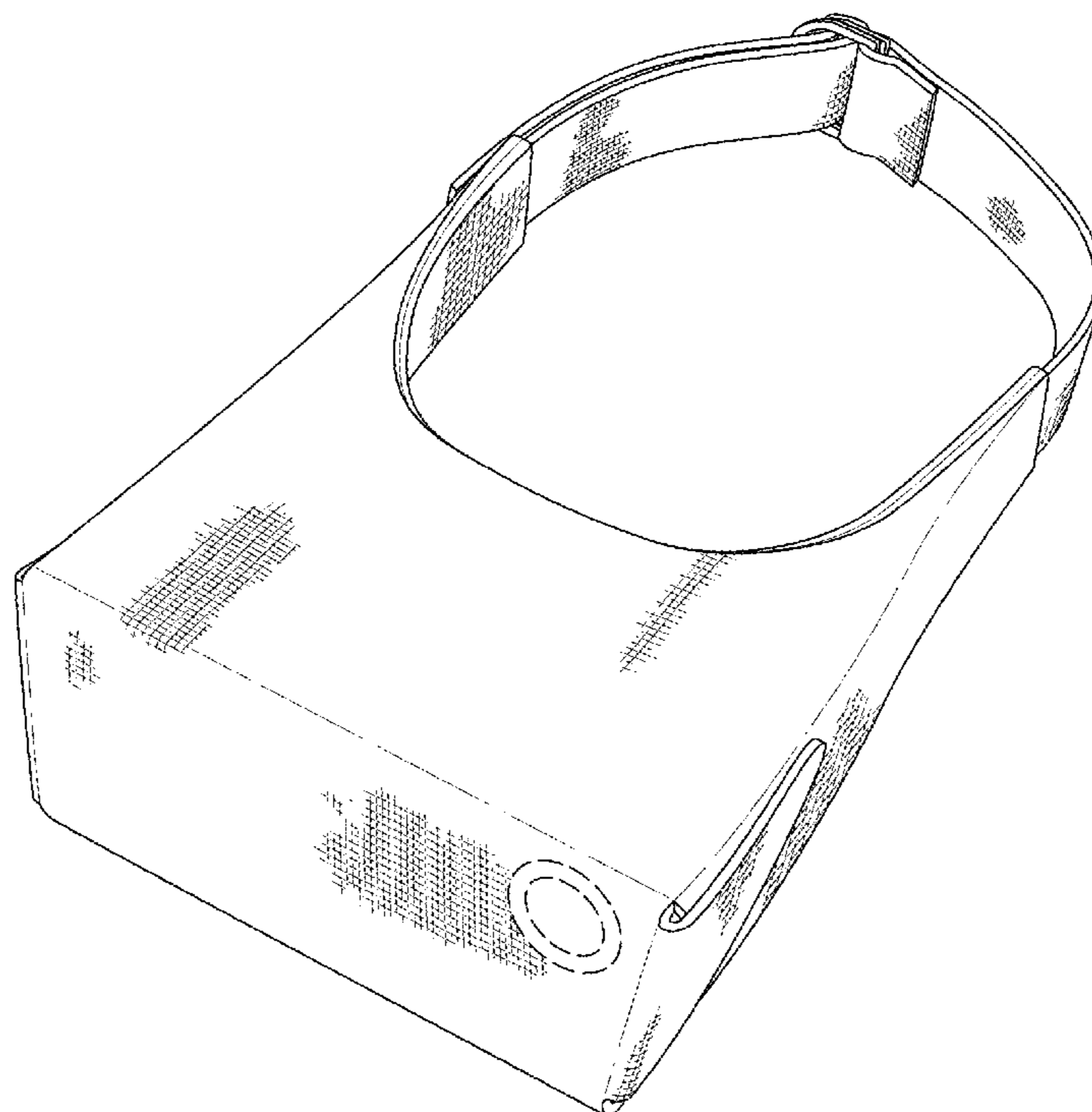
The broken lines shown represent unclaimed subject matter and form no part of the claimed design.

(56) **References Cited**

U.S. PATENT DOCUMENTS

- 9,176,325 B2 * 11/2015 Lyons G02B 27/0172
- D749,583 S * 2/2016 Luckey D14/372
- D750,074 S * 2/2016 Coz D14/372

1 Claim, 6 Drawing Sheets



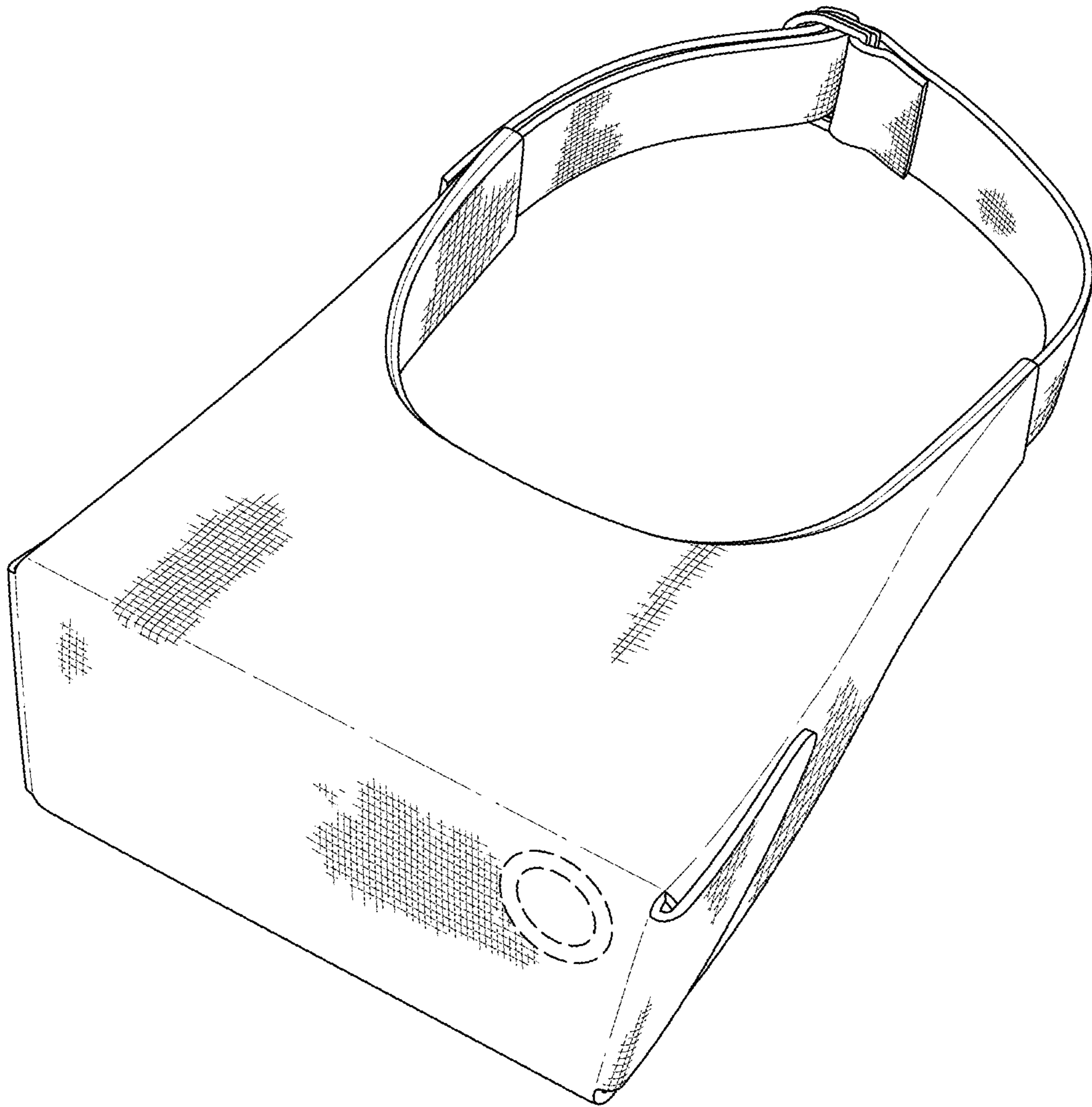


Fig. 1

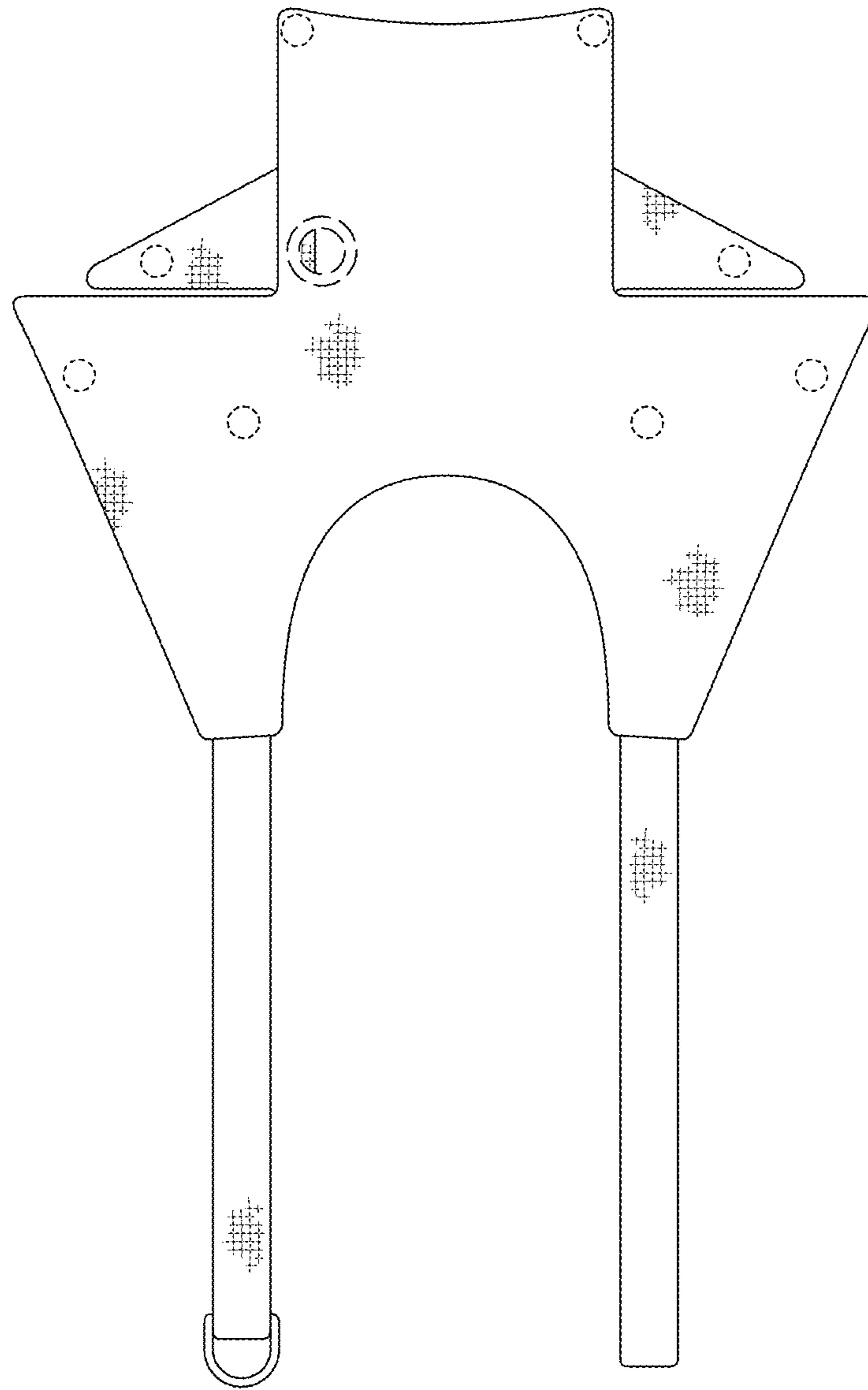


Fig. 2

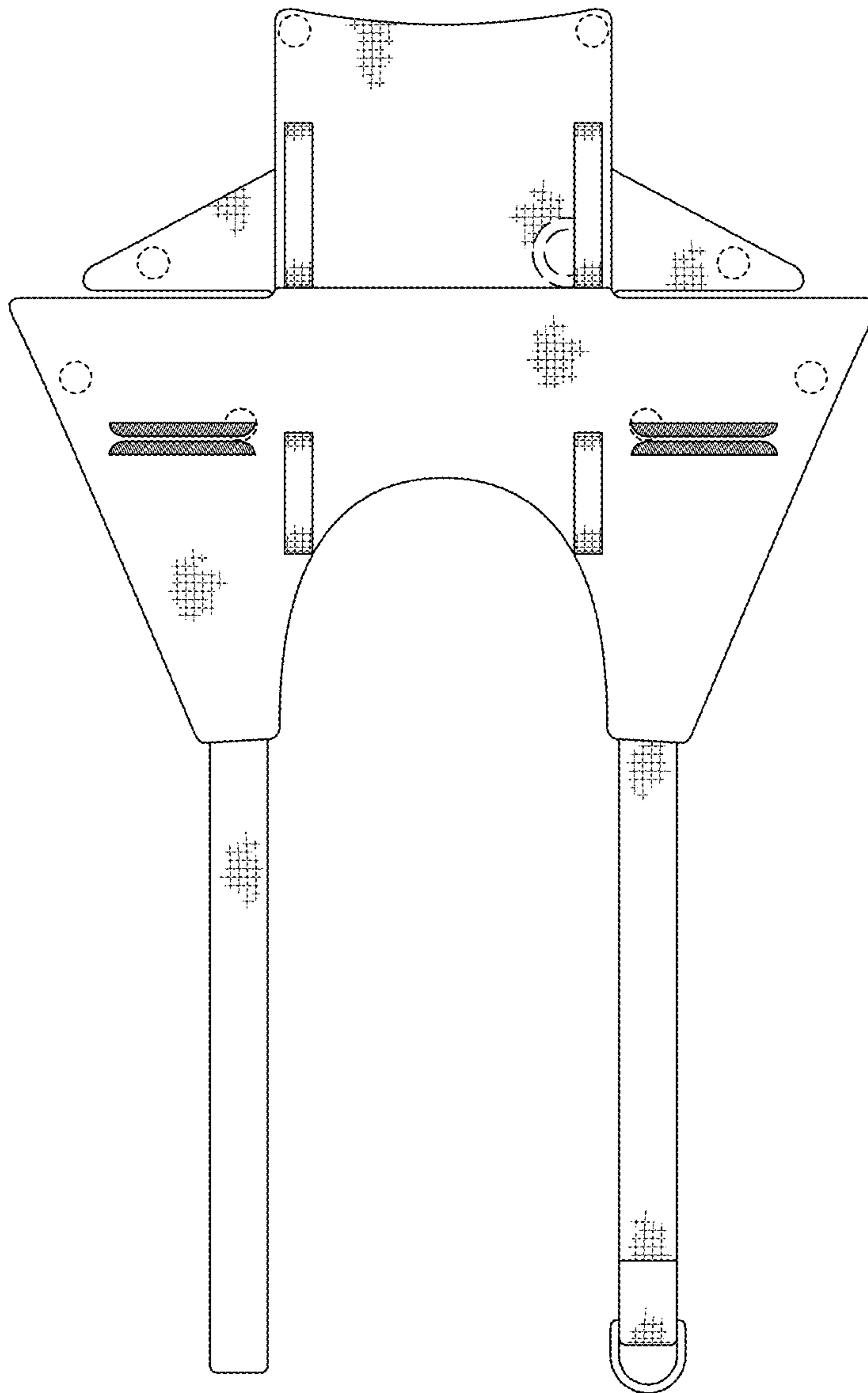


Fig. 3

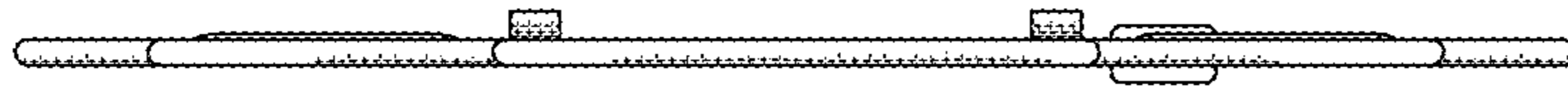


Fig. 4

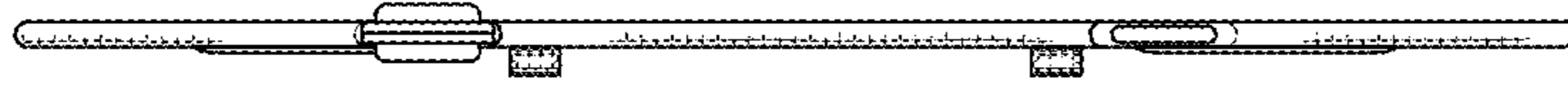


Fig. 5

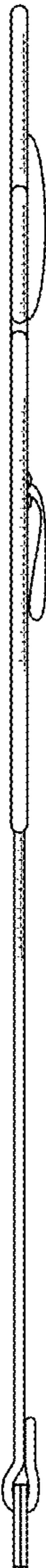


Fig. 6

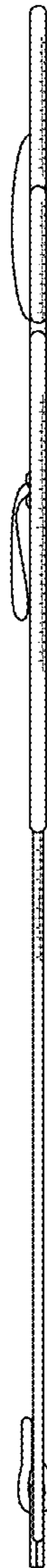


Fig. 7

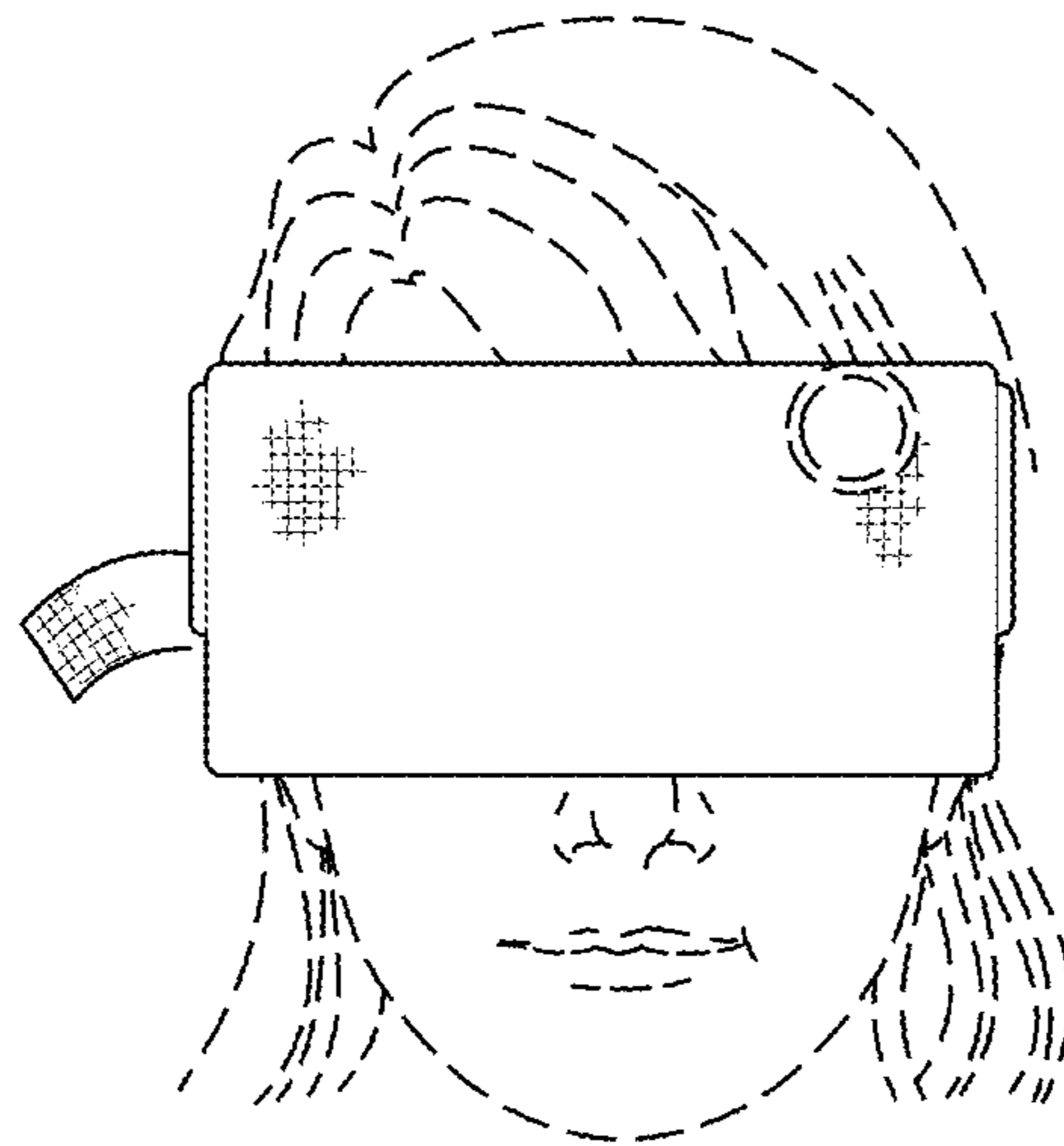


Fig. 8

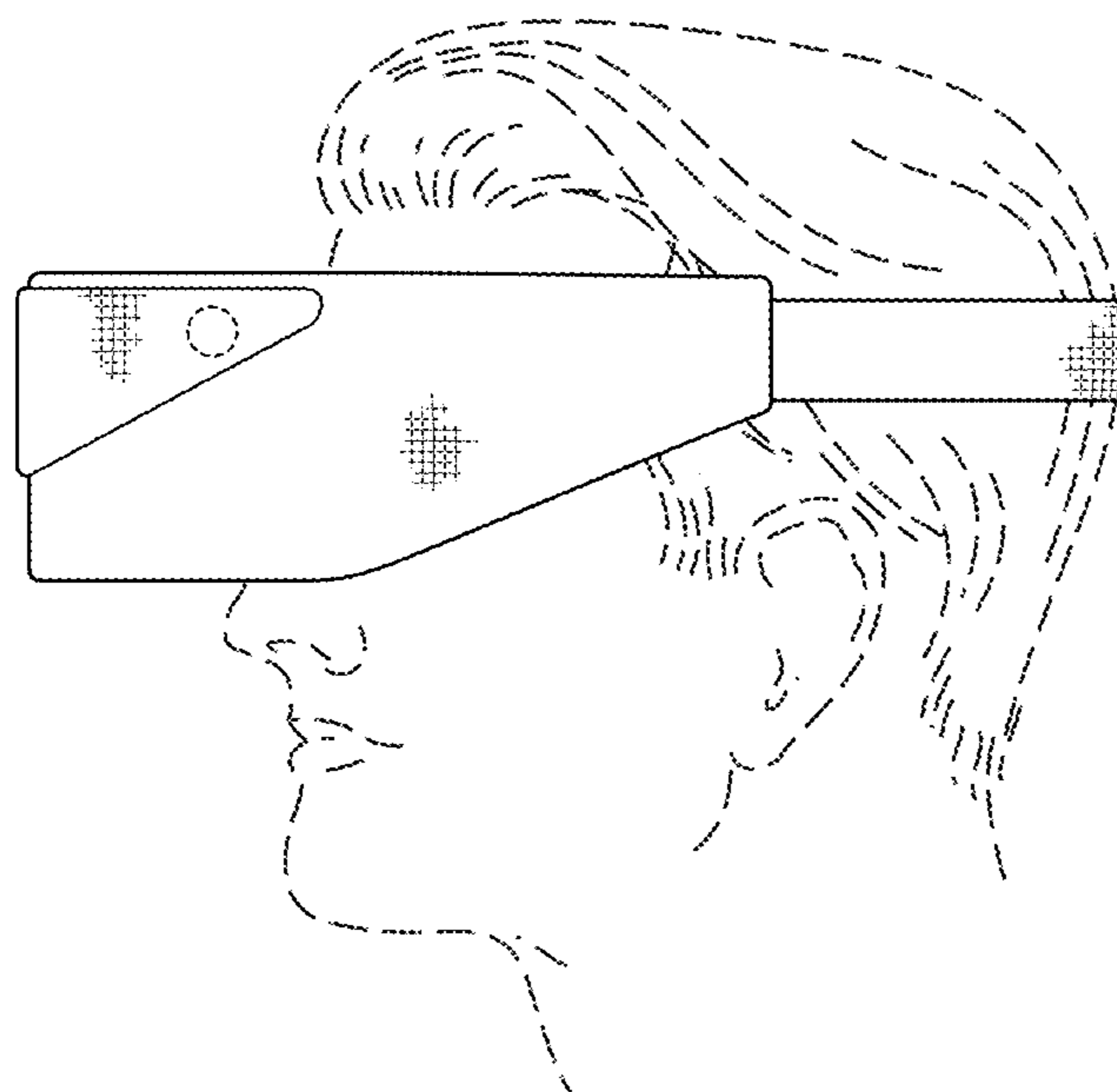


Fig. 9

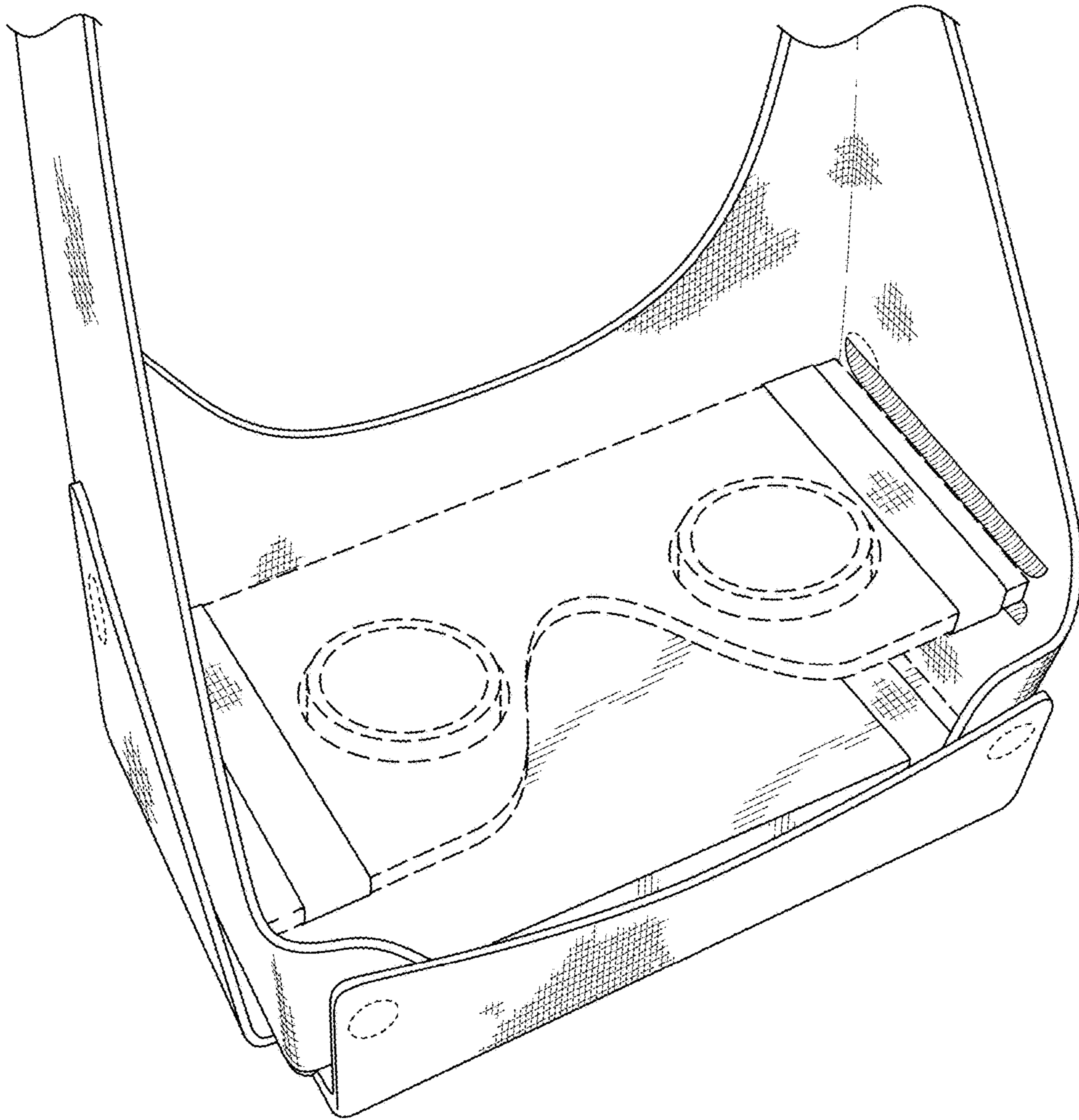


Fig. 10