



US00D792870S

(12) **United States Design Patent** (10) **Patent No.:** **US D792,870 S**  
**Zheng et al.** (45) **Date of Patent:** **\*\* Jul. 25, 2017**

(54) **ANTENNA**

(71) Applicant: **Airgain Incorporated**, San Diego, CA (US)

(72) Inventors: **Bei Zheng**, Zhang Jia Gang (CN); **Xiangjie Bian**, Zhang Jia Gang (CN)

(73) Assignee: **Airgain Incorporated**, San Diego, CA (US)

(\*\*) Term: **15 Years**

(21) Appl. No.: **29/555,816**

(22) Filed: **Feb. 25, 2016**

(51) **LOC (10) Cl.** ..... **14-03**

(52) **U.S. Cl.**  
USPC ..... **D14/230**

(58) **Field of Classification Search**  
USPC ..... D14/138, 230–238.1, 299, 358;  
D12/42–43; D13/182; D8/396;  
248/68.1  
CPC ..... H01L 33/48; H01L 33/486; H01L 23/02;  
H05K 5/00; H01Q 13/10; H01Q 7/00;  
F16L 3/2235; F16L 3/227; Y10T  
403/7141  
See application file for complete search history.

7,362,277 B2 \* 4/2008 Su ..... H01Q 1/243  
343/700 MS

D573,589 S 7/2008 Montgomery et al.  
7,405,704 B1 7/2008 Lin et al.  
D581,402 S \* 11/2008 Wu ..... D14/230  
7,477,195 B2 1/2009 Vance  
D588,115 S \* 3/2009 Yoshioka ..... D14/230  
D592,195 S 5/2009 Wu et al.  
7,570,215 B2 8/2009 Abramov et al.  
D599,334 S 9/2009 Chiang  
D603,851 S \* 11/2009 Montgomery ..... D14/230  
D606,053 S 12/2009 Wu et al.  
D606,054 S \* 12/2009 Wu ..... D14/230  
D606,055 S \* 12/2009 Wu ..... D14/230  
D607,442 S 1/2010 Su et al.  
D608,769 S 1/2010 Bufe  
D612,368 S 3/2010 Yang et al.  
7,705,783 B2 4/2010 Rao et al.  
7,729,662 B2 6/2010 Abramov et al.  
D621,819 S 8/2010 Tsai et al.  
7,843,390 B2 11/2010 Liu

(Continued)

FOREIGN PATENT DOCUMENTS

CN 303542315 \* 1/2016  
CN 303564367 \* 1/2016

*Primary Examiner* — Catherine Tuttle  
*Assistant Examiner* — Mary Malley  
 (74) *Attorney, Agent, or Firm* — Clause Eight IPS;  
 Michael Catania

(57) **CLAIM**

The ornamental design for an antenna, as shown and described.

**DESCRIPTION**

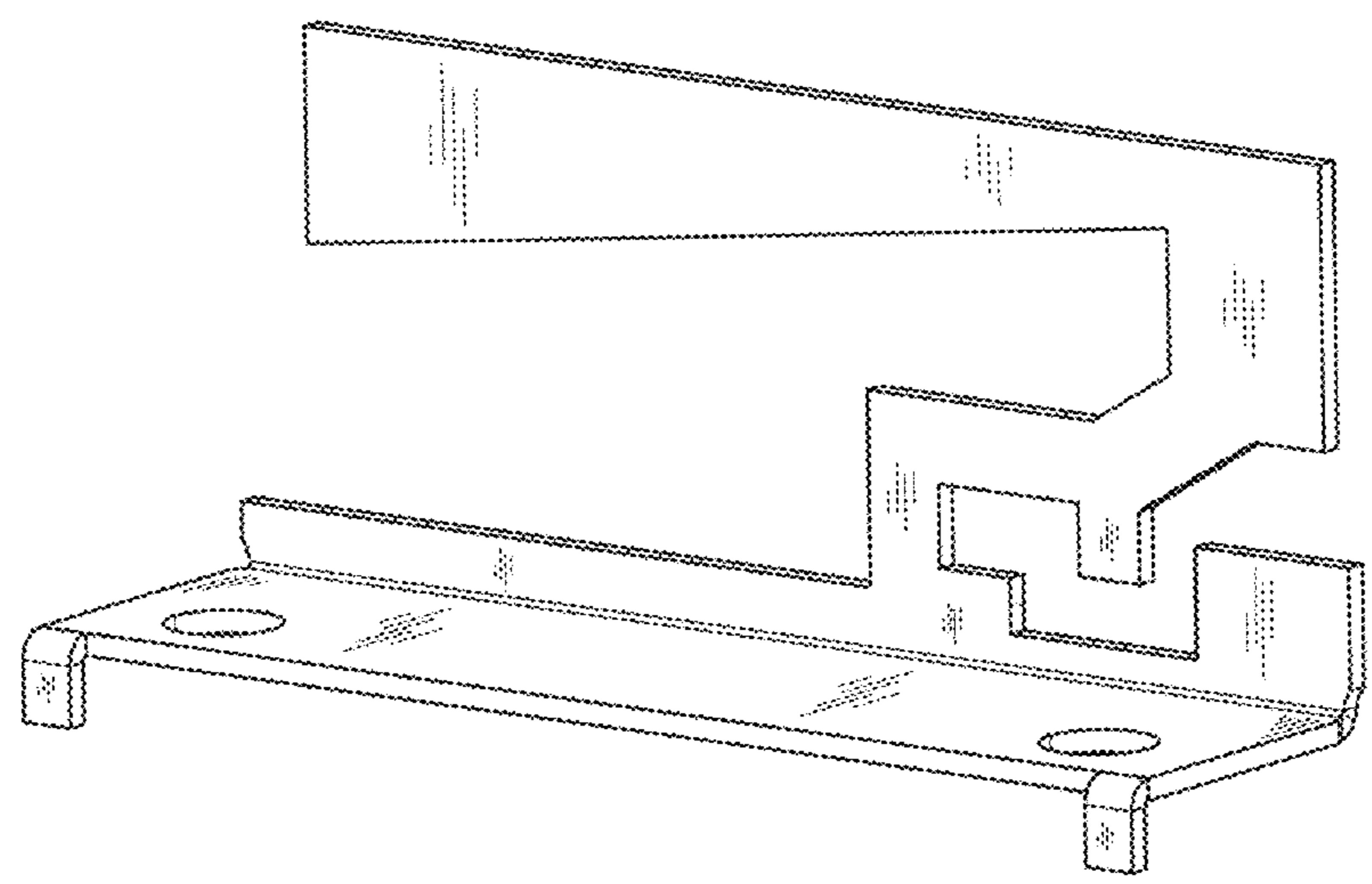
FIG. 1 is an upper rear perspective view of an antenna.  
 FIG. 2 is a front elevation view of the antenna of FIG. 1.  
 FIG. 3 is a bottom plan view of the antenna of FIG. 1; and,  
 FIG. 4 is a left side elevation view of the antenna of FIG. 1.

**1 Claim, 3 Drawing Sheets**

(56) **References Cited**

U.S. PATENT DOCUMENTS

7,061,437 B2 6/2006 Lin et al.  
 7,148,849 B2 12/2006 Lin  
 D535,290 S \* 1/2007 Su ..... D14/230  
 7,215,296 B2 5/2007 Abramov et al.  
 D546,821 S 7/2007 Oliver  
 D549,696 S 8/2007 Oshima et al.  
 D554,111 S \* 10/2007 Su ..... D14/230  
 7,333,067 B2 2/2008 Hung et al.  
 7,336,959 B2 2/2008 Khitrik et al.



(56)

References Cited

U.S. PATENT DOCUMENTS

D633,483 S	3/2011	Su et al.	D695,279 S	12/2013	Yang et al.
D635,127 S	3/2011	Tsai et al.	D695,280 S	12/2013	Yang et al.
7,907,971 B2	3/2011	Salo et al.	D703,195 S	4/2014	Zheng
D635,560 S	4/2011	Tsai et al.	D703,196 S	4/2014	Zheng
D635,963 S	4/2011	Poddaturi	D706,247 S	6/2014	Zheng et al.
D635,964 S	4/2011	Poddaturi	D706,750 S	6/2014	Bringuir
D635,965 S	4/2011	Mi et al.	D706,751 S	6/2014	Chang et al.
D636,382 S	4/2011	Poddaturi	D708,602 S	7/2014	Gosalia et al.
7,965,242 B2	6/2011	Abramov et al.	D709,053 S	7/2014	Chang et al.
D649,962 S	12/2011	Tseng et al.	D710,832 S	8/2014	Yang
D651,198 S	12/2011	Mi et al.	D710,833 S	8/2014	Zheng et al.
D654,059 S	2/2012	Mi et al.	8,854,265 B1	10/2014	Yang et al.
D654,060 S	2/2012	Ko et al.	D716,775 S	11/2014	Bidermann
D658,639 S	5/2012	Huang et al.	9,166,293 B2 *	10/2015	Huang ..... H01Q 9/0421
D659,129 S	5/2012	Mi et al.	D765,062 S *	8/2016	Zheng ..... D14/230
D659,685 S	5/2012	Huang et al.	2002/0003499 A1	1/2002	Kouam et al.
D659,688 S	5/2012	Huang et al.	2004/0222936 A1	11/2004	Hung et al.
8,175,036 B2	5/2012	Visuri et al.	2005/0073462 A1	4/2005	Lin et al.
8,184,601 B2	5/2012	Abramov et al.	2005/0190108 A1	9/2005	Lin et al.
D662,916 S	7/2012	Huang et al.	2006/0208900 A1	9/2006	Tavassoli Hozouri
8,248,970 B2	8/2012	Abramov et al.	2007/0030203 A1	2/2007	Tsai et al.
D671,097 S	11/2012	Mi et al.	2008/0150829 A1	6/2008	Lin et al.
8,310,402 B2	11/2012	Yang	2009/0002244 A1	1/2009	Woo
D676,429 S	2/2013	Gosalia et al.	2009/0058739 A1	3/2009	Konishi
D678,255 S	3/2013	Ko et al.	2009/0135072 A1	5/2009	Ke et al.
8,423,084 B2	4/2013	Abramov et al.	2009/0262028 A1	10/2009	Murnbru et al.
D684,565 S	6/2013	Wei	2010/0164821 A1 *	7/2010	Huang ..... H01Q 9/0414 343/767
D685,352 S	7/2013	Wei	2010/0188297 A1	7/2010	Chen et al.
D685,772 S	7/2013	Zheng et al.	2010/0253582 A1 *	10/2010	Nozawa ..... H01Q 1/243 343/702
D686,600 S	7/2013	Yang	2010/0309067 A1	12/2010	Tsou et al.
D689,474 S	9/2013	Yang et al.	2011/0006950 A1	1/2011	Park et al.
D692,870 S	11/2013	He	2012/0038514 A1	2/2012	Bang
D694,738 S	12/2013	Yang	2012/0229348 A1	9/2012	Chiang
			2012/0242546 A1	9/2012	Hu et al.

\* cited by examiner

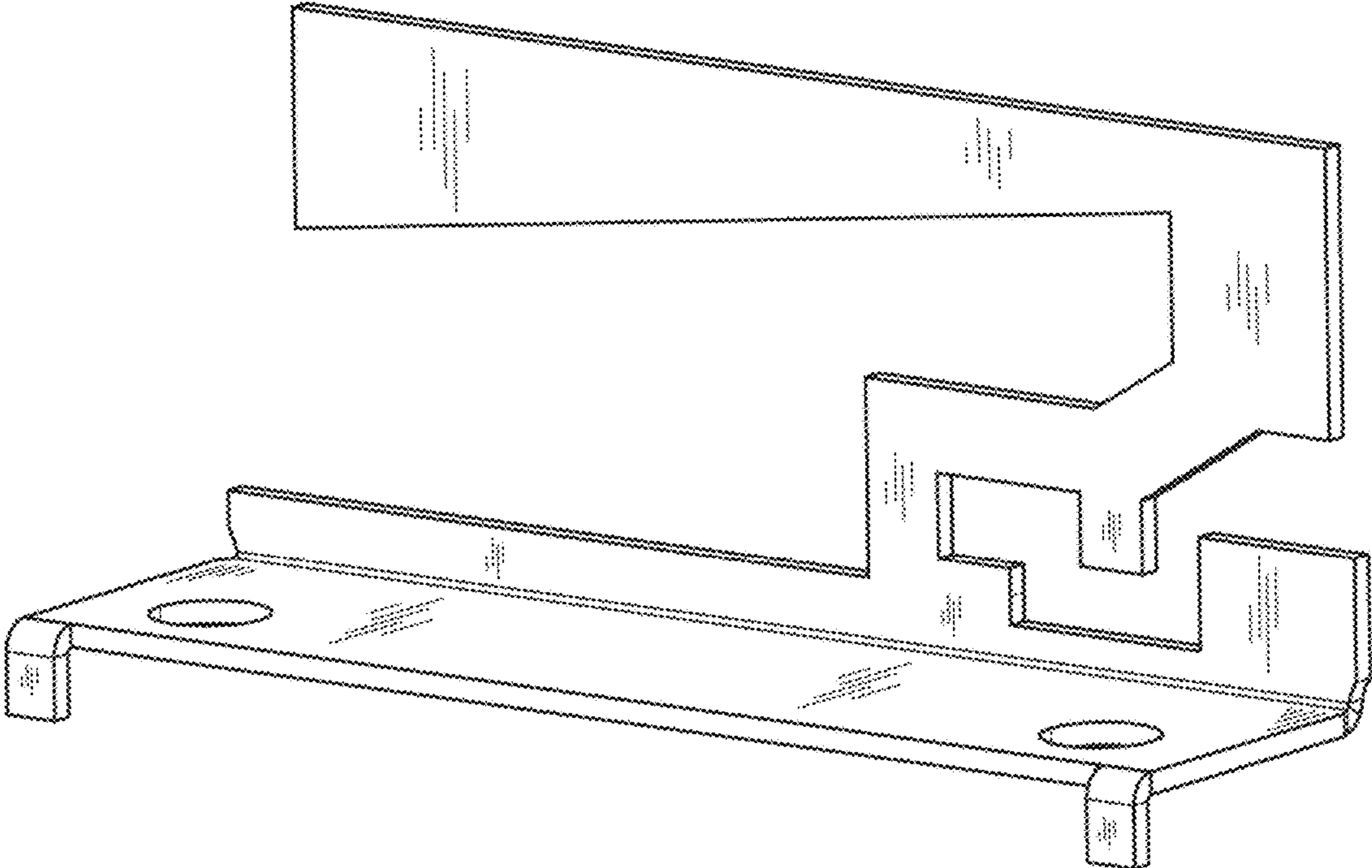


FIG. 1

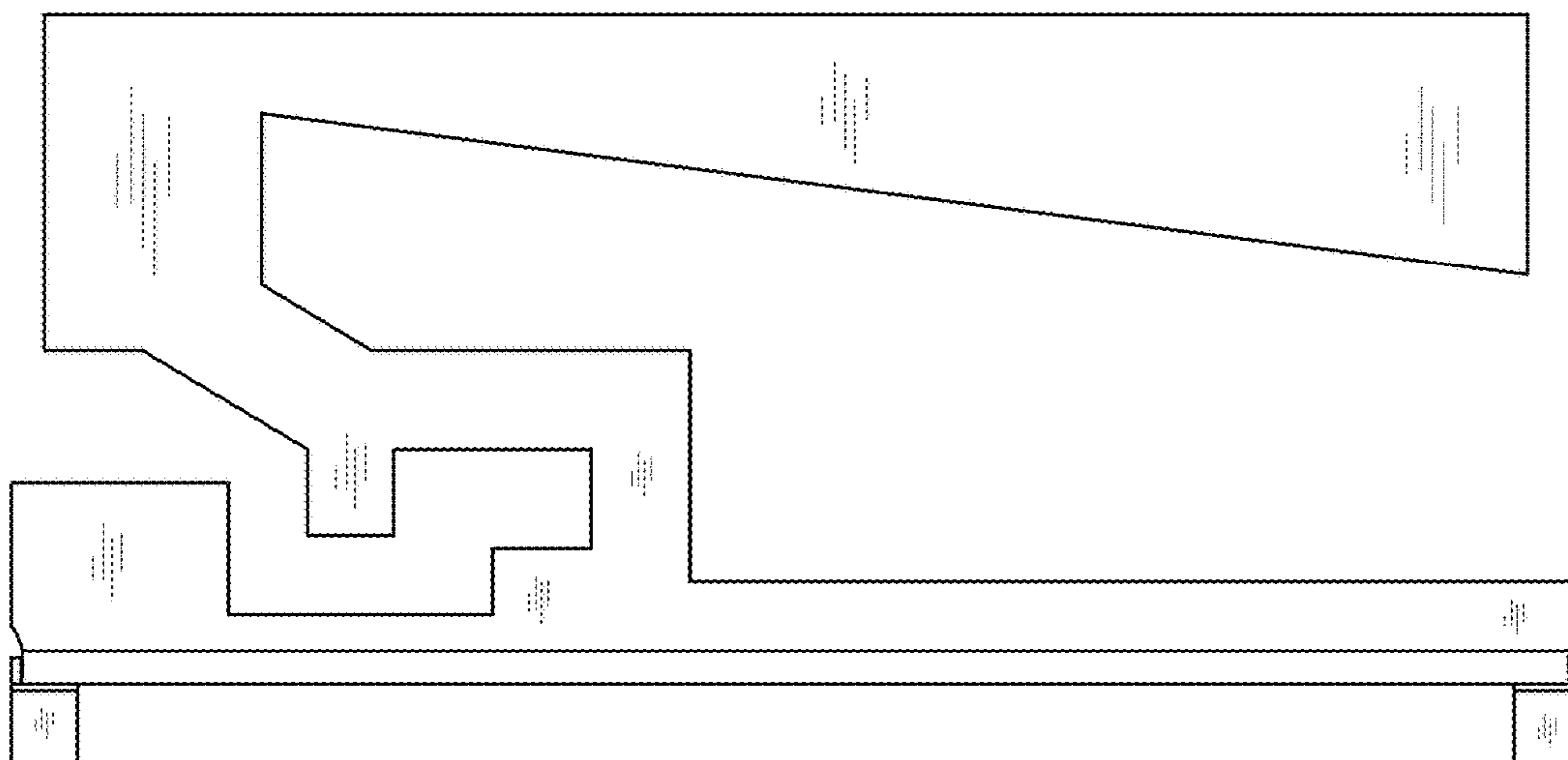


FIG. 2

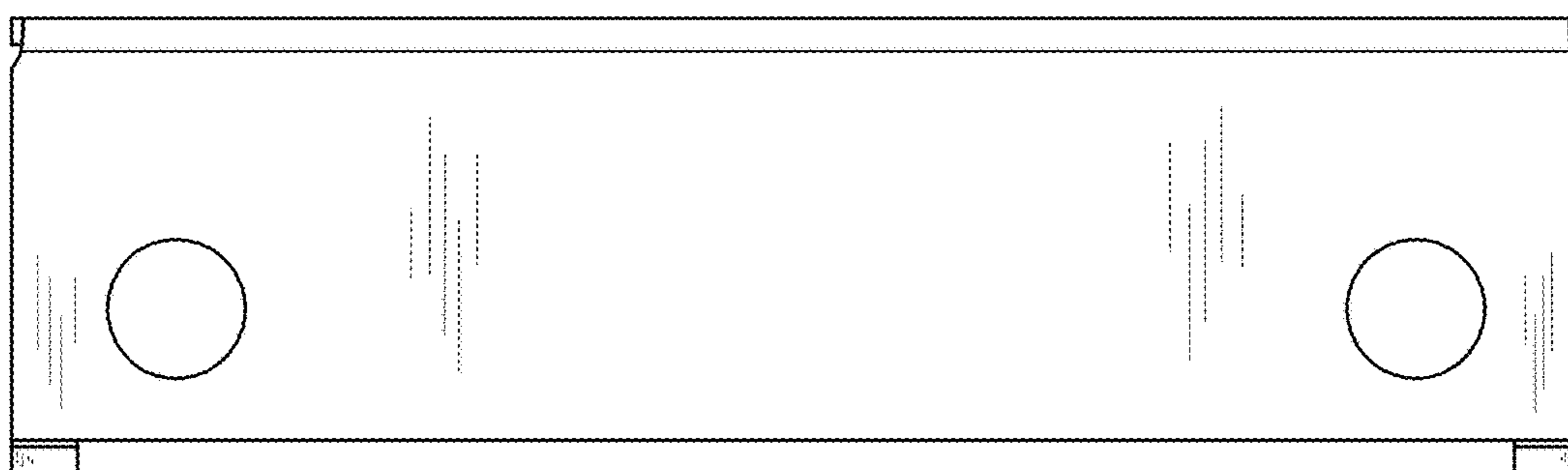


FIG. 3

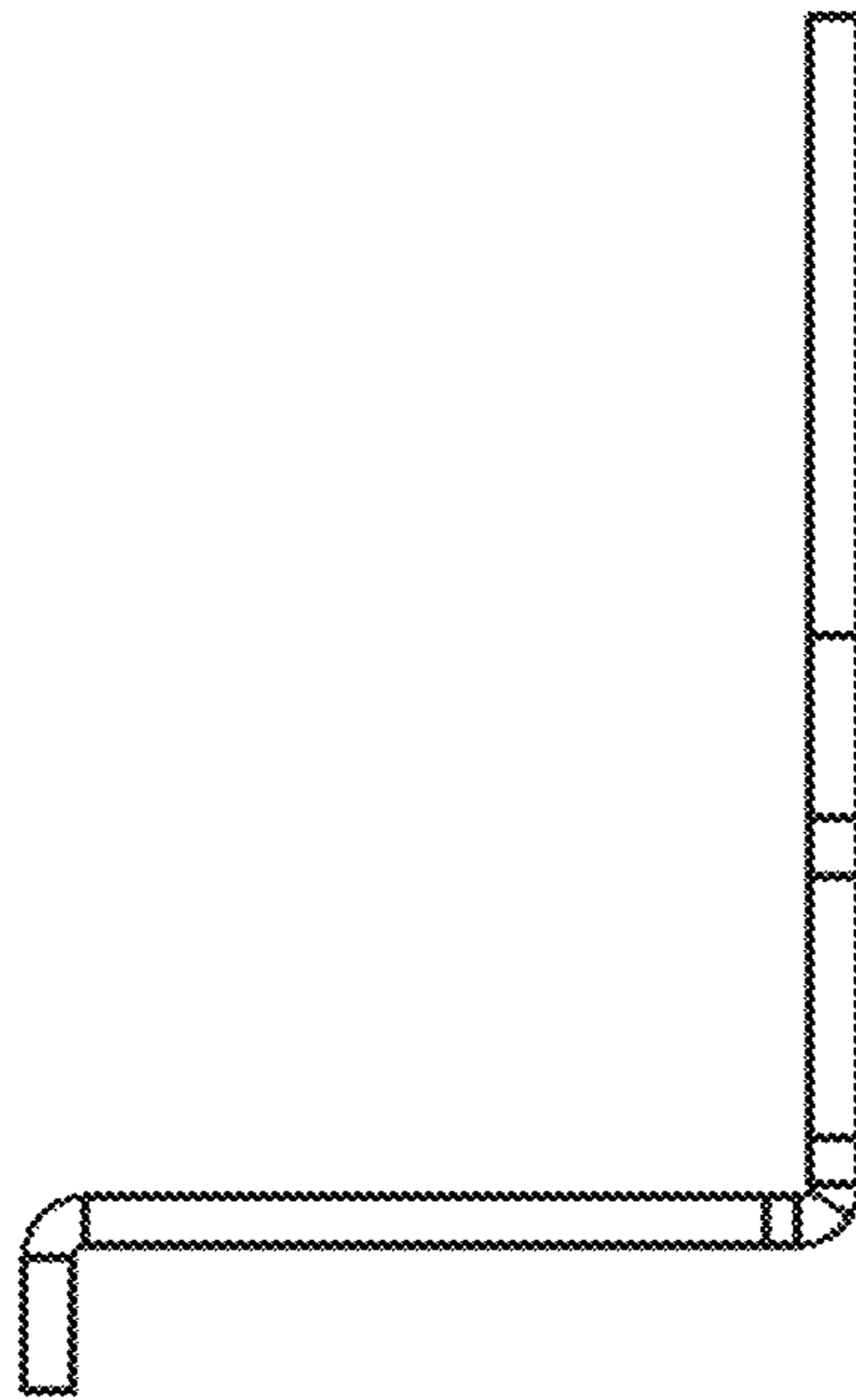


FIG. 4