



US00D792868S

(12) **United States Design Patent**
Shitrit et al.

(10) **Patent No.:** **US D792,868 S**

(45) **Date of Patent:** **** Jul. 25, 2017**

(54) **RADIO RECEIVER**

(71) Applicant: **The Stanley Works Israel Ltd.**, Rosh Ha' Ayin (IL)

(72) Inventors: **Elad Hay Shitrit**, Tel Aviv (IL); **Yosi Sabbag**, Holon (IL)

(73) Assignee: **THE STANLEY WORKS LTD** (IL)

(**) Term: **15 Years**

(21) Appl. No.: **29/548,997**

(22) Filed: **Dec. 18, 2015**

(30) **Foreign Application Priority Data**

Jun. 30, 2015 (EP) 002728592

(51) **LOC (10) Cl.** **14-03**

(52) **U.S. Cl.**
USPC **D14/188**

(58) **Field of Classification Search**
USPC D14/162, 167-169, 175, 179, 188,
D14/194-198, 217, 257, 265, 299, 496
CPC H04M 1/67; H04M 2250/12; H04N 7/15;
G06K 9/00013; G06K 9/00026; G06K
9/00919; G08B 13/1427; G08B 21/023

See application file for complete search history.

(56) **References Cited**

U.S. PATENT DOCUMENTS

D475,360 S *	6/2003	Yoneda	D14/168
D591,720 S *	5/2009	Motoishi	D14/168
D690,281 S *	9/2013	Carr	D14/204
D690,286 S *	9/2013	Petersen	D14/209.1
D737,241 S *	8/2015	Duran	D14/188
D769,211 S *	10/2016	Schnell	D14/204

* cited by examiner

Primary Examiner — Keli L Hill

(74) *Attorney, Agent, or Firm* — Carl E. Myers

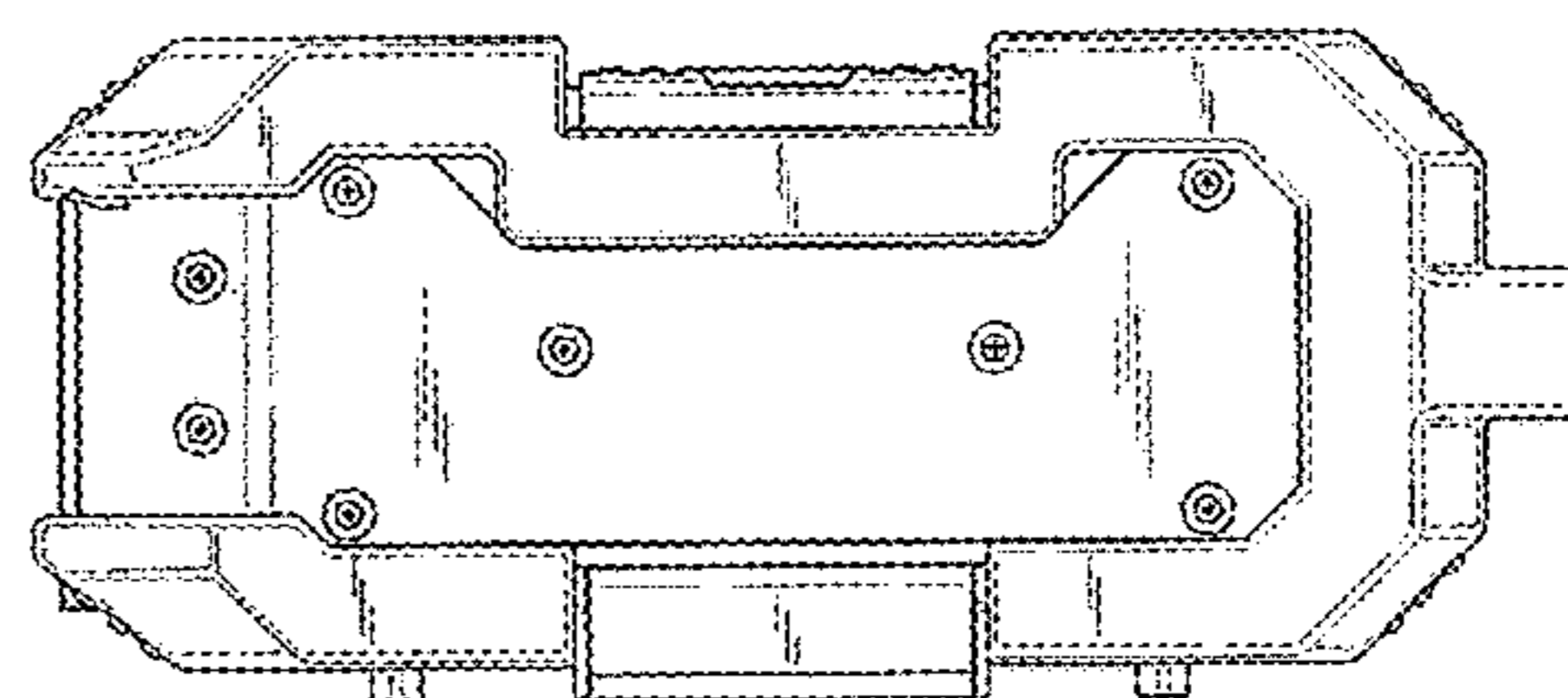
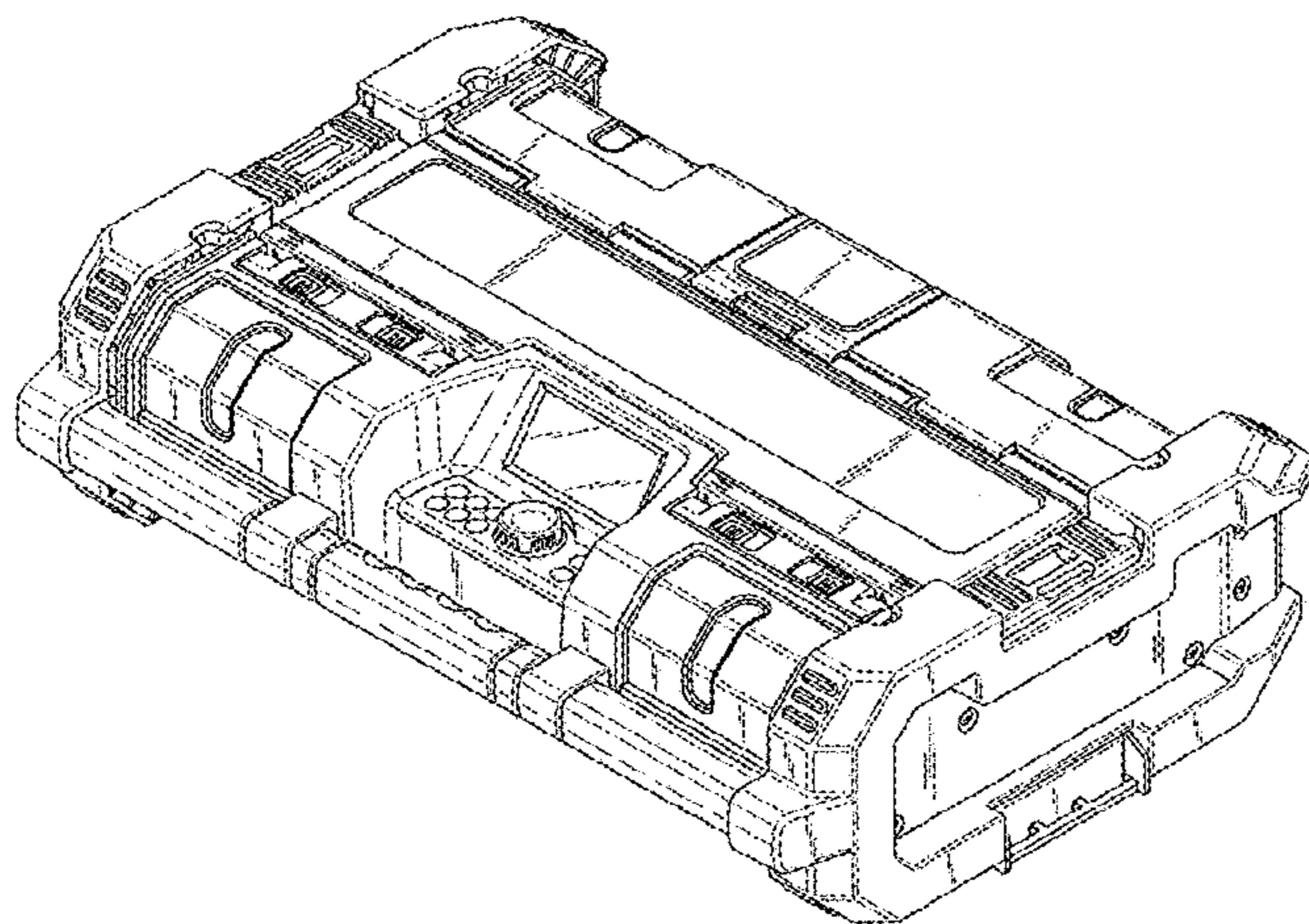
(57) **CLAIM**

The ornamental design for a radio receiver, as shown and described.

DESCRIPTION

FIG. 1 is a perspective view of our new design.
FIG. 2 is a front view thereof.
FIG. 3 is a rear view thereof.
FIG. 4 is a right side view thereof.
FIG. 5 is a left side view thereof.
FIG. 6 is a top view thereof; and,
FIG. 7 is a bottom view thereof.
The broken lines illustrate portions of the radio receiver and form no part of the claimed design.

1 Claim, 5 Drawing Sheets



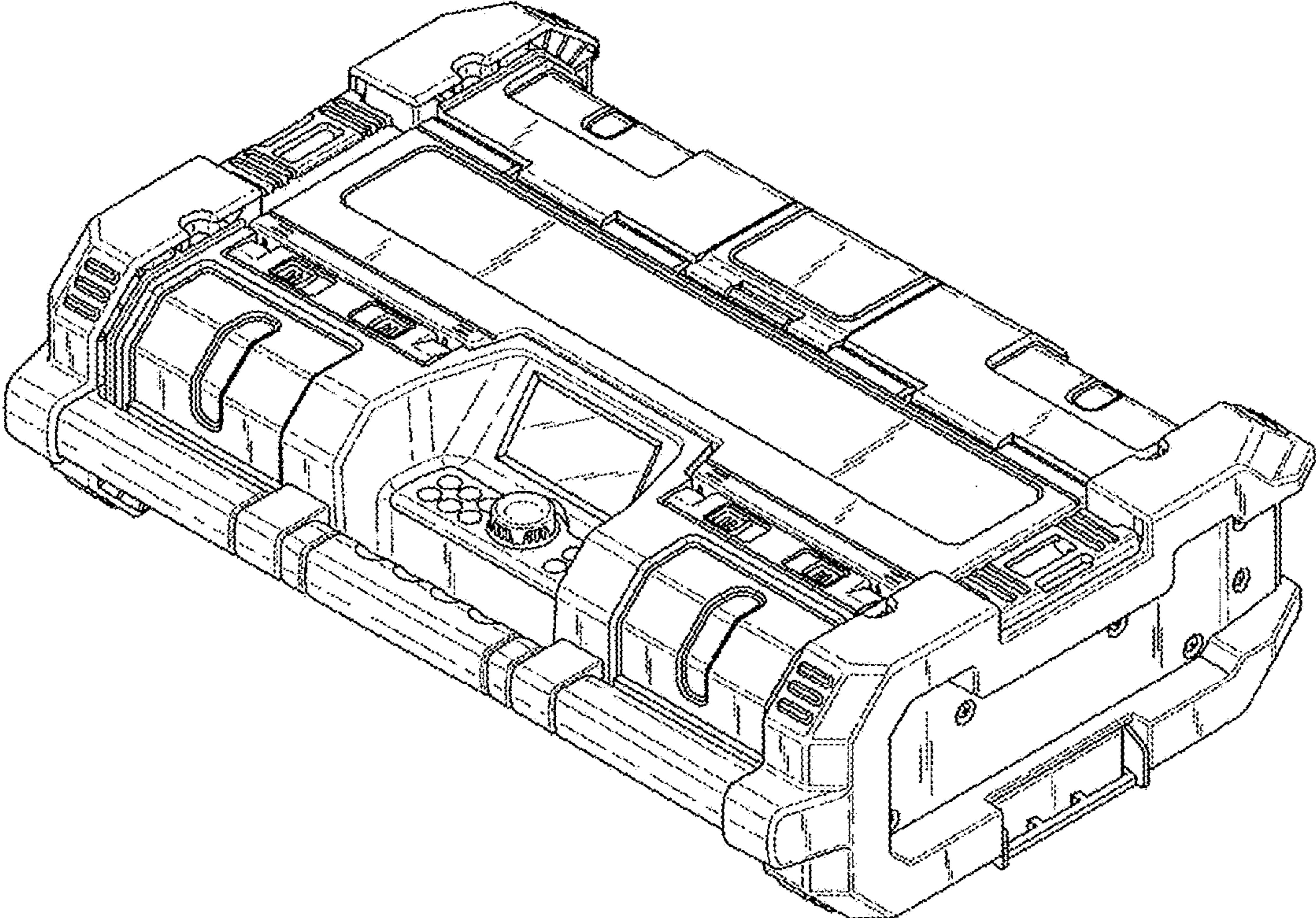


Fig. 1

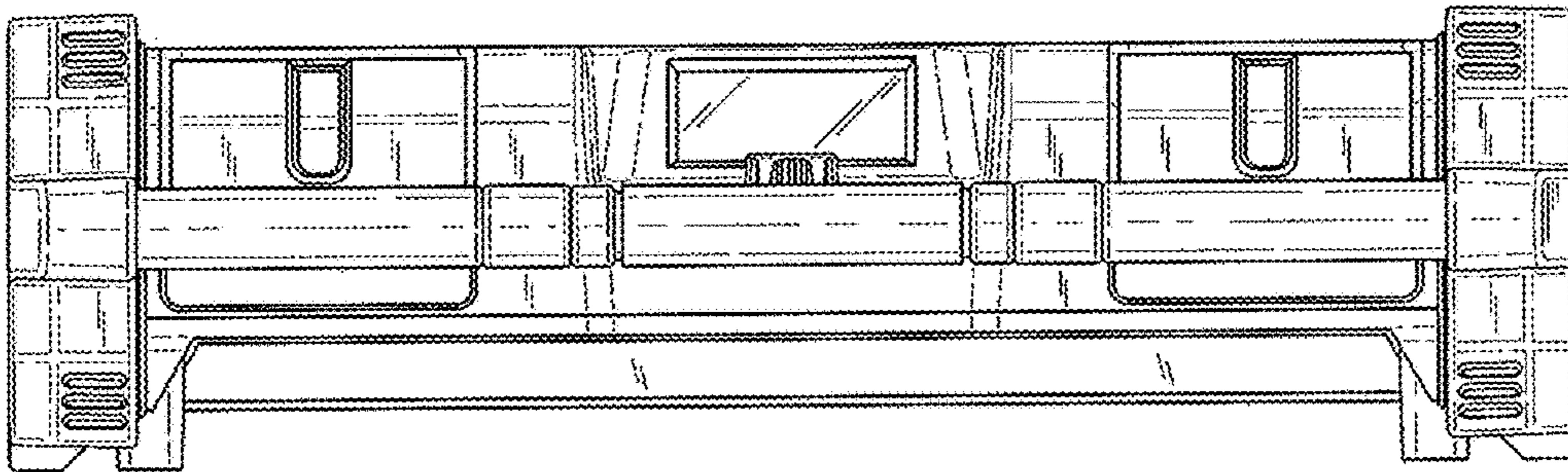


Fig. 2

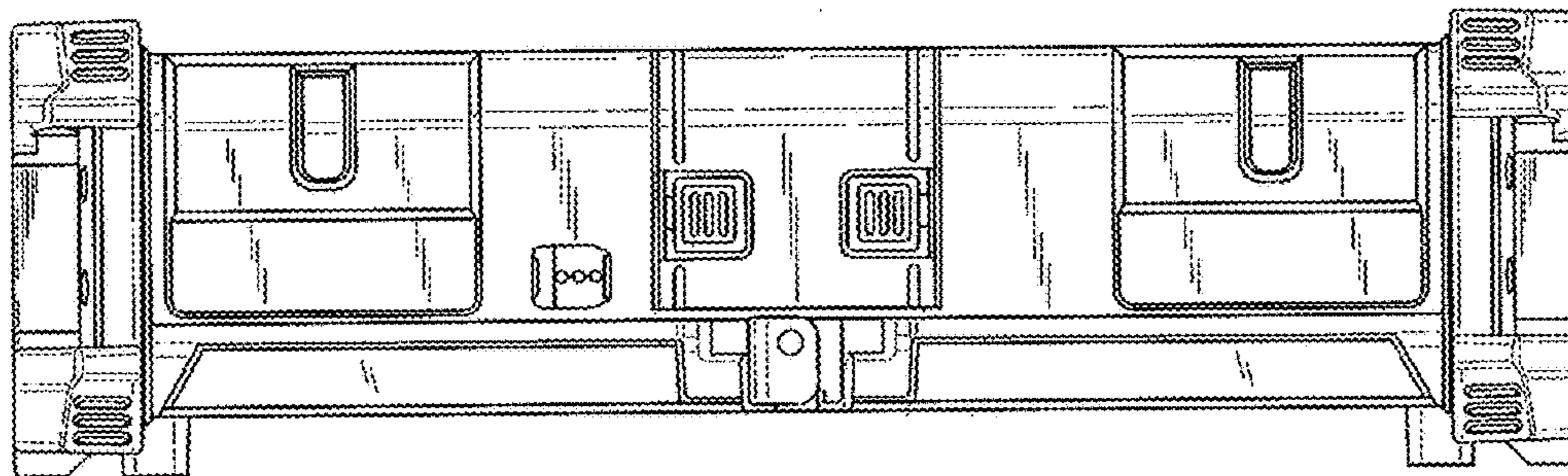


Fig. 3

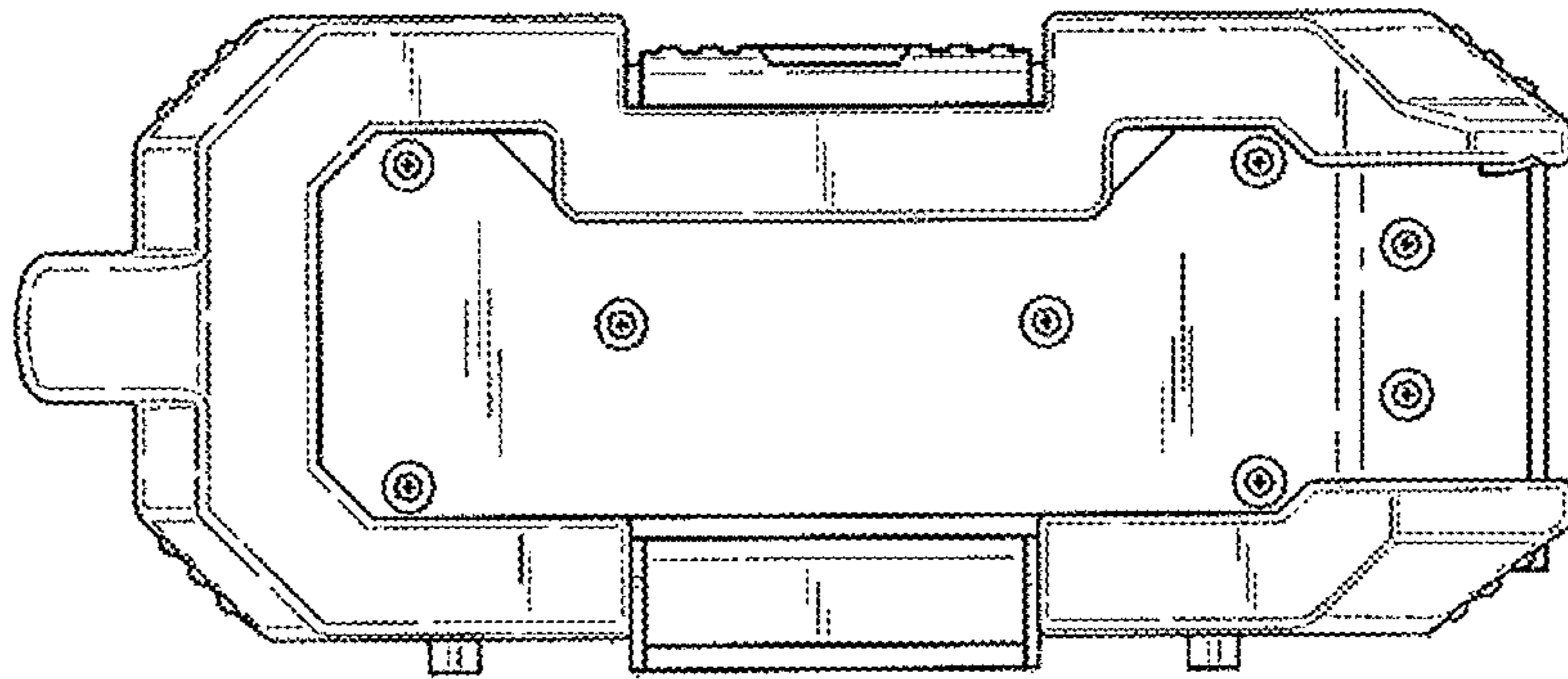


Fig. 4

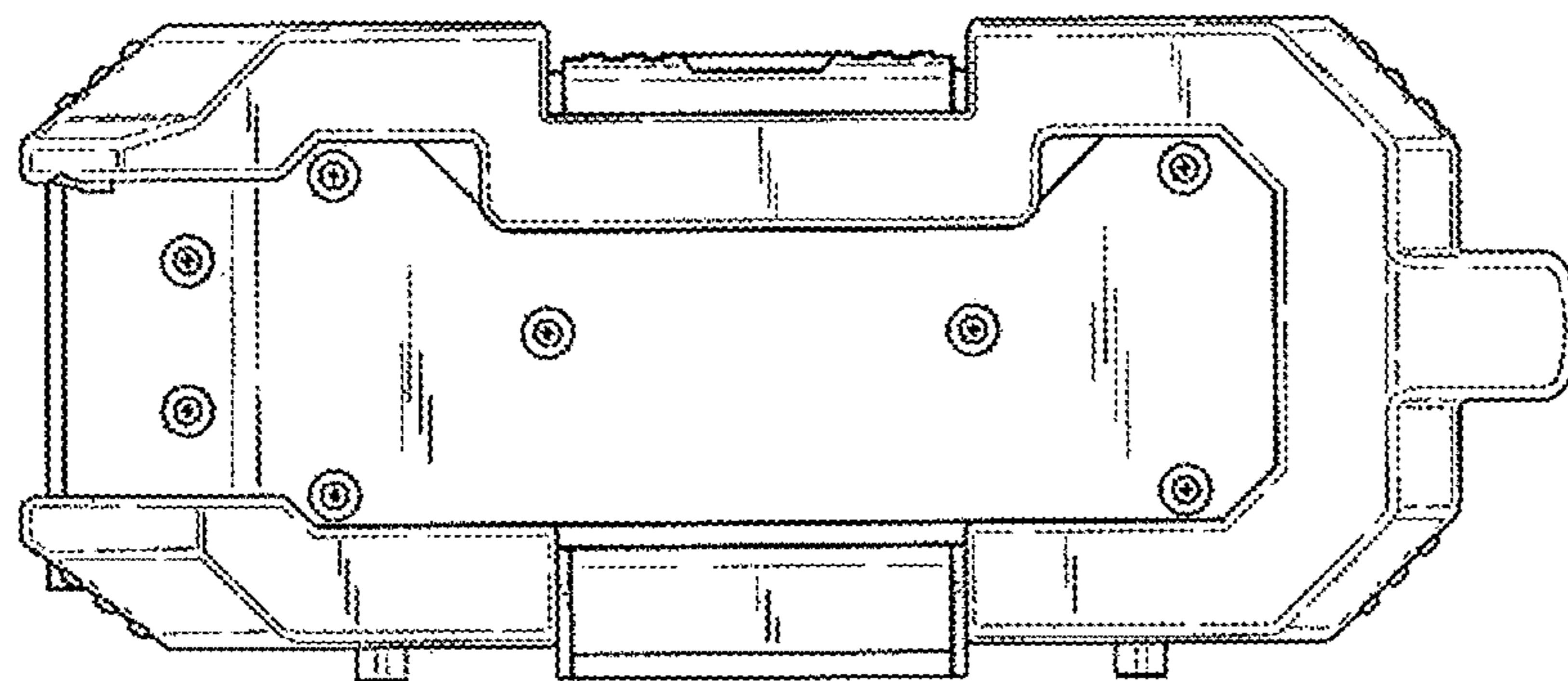


Fig. 5

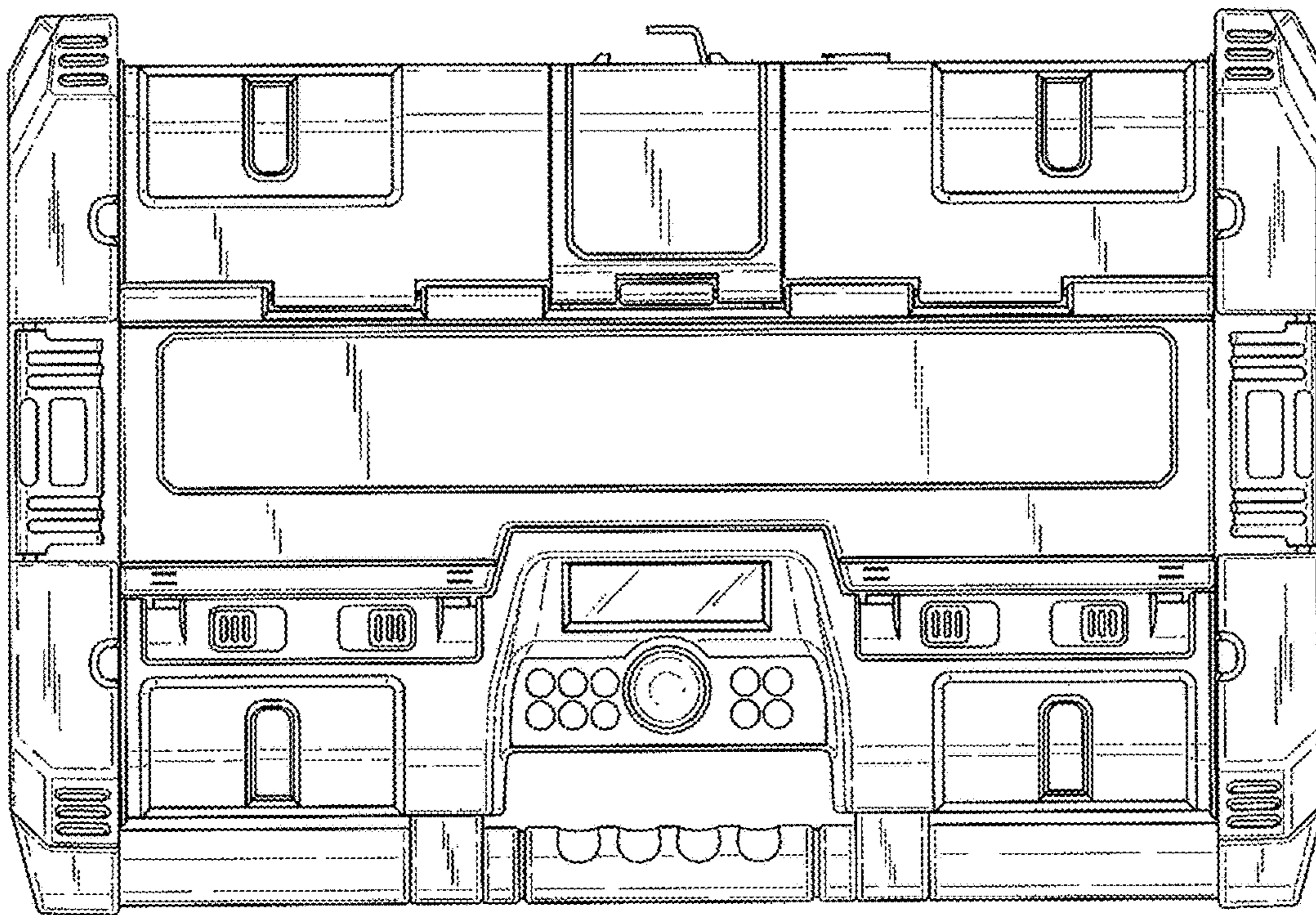


Fig. 6

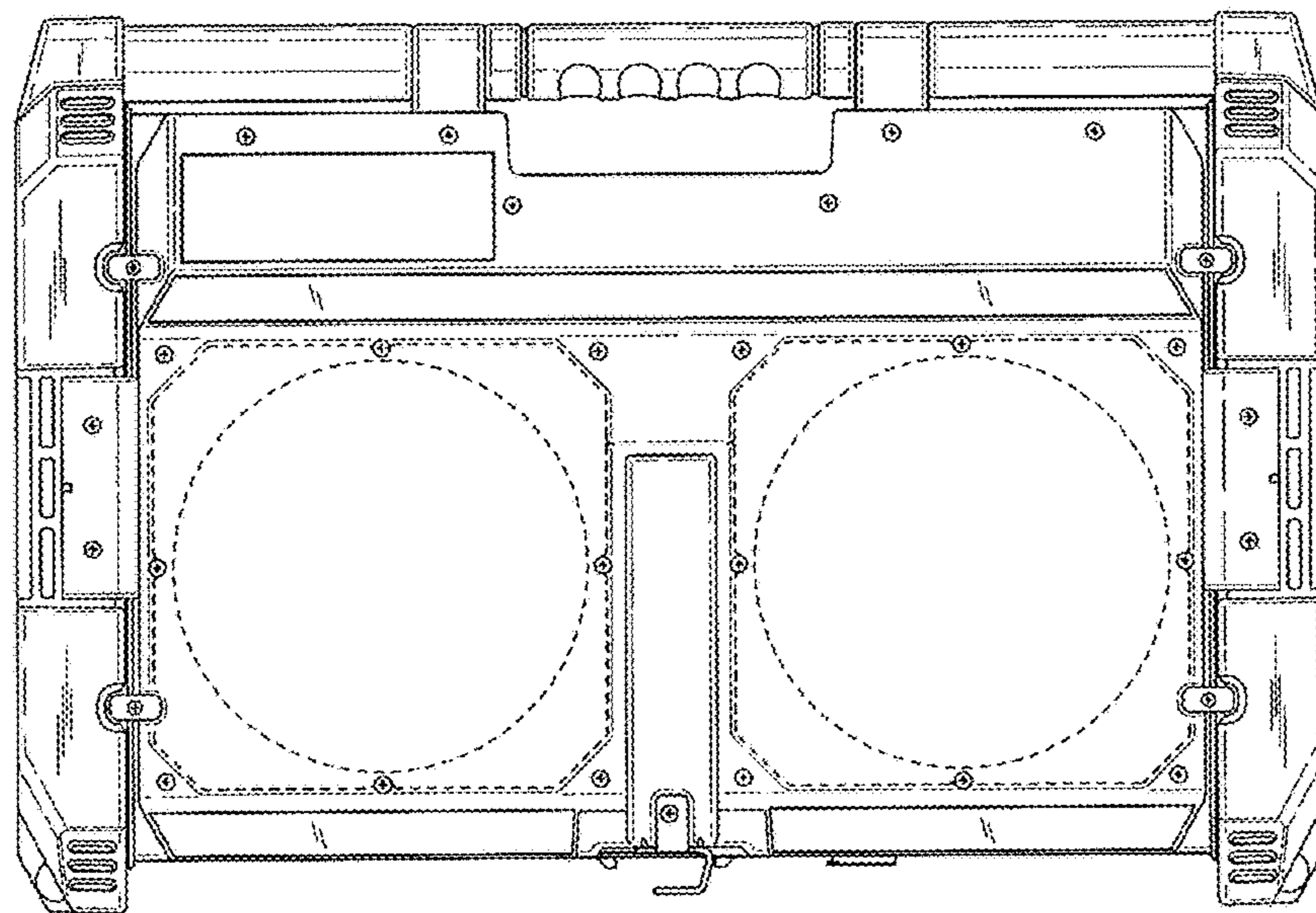


Fig. 7