



US00D792867S

(12) **United States Design Patent**  
**Maxwell et al.**

(10) **Patent No.:** **US D792,867 S**

(45) **Date of Patent:** **\*\* Jul. 25, 2017**

(54) **HANDSET AND CRADLE UNIT ASSEMBLY FOR A VIDEO PHONE SET**

(71) Applicant: **SORENSEN IP HOLDINGS LLC**,  
Salt Lake City, UT (US)

(72) Inventors: **Conrad Arlo Maxwell**, Herriman, UT (US); **Eric V. Winsor**, West Jordan, UT (US); **Mark D. Nelson**, West Jordan, UT (US); **Merle L. Walker**, Sandy, UT (US); **Brent Carlen Giles**, Salt Lake City, UT (US); **Elie Mathias Monge**, San Francisco, CA (US); **Sean Patrick Murphy**, San Francisco, CA (US); **Shannon Colleen Fong**, San Francisco, CA (US); **Alice Viola Pintus**, Milan (IT); **Thomas Mitchell Dair**, Lafayette, CA (US)

(73) Assignee: **SORENSEN IP HOLDINGS LLC**,  
Salt Lake City, UT (US)

(\*\*) Term: **15 Years**

(21) Appl. No.: **29/593,705**

(22) Filed: **Feb. 10, 2017**

**Related U.S. Application Data**

(62) Division of application No. 29/565,050, filed on May 17, 2016, which is a division of application No. 29/518,646, filed on Feb. 25, 2015, now Pat. No. Des. 758,984.

(51) **LOC (10) Cl.** ..... **14-03**

(52) **U.S. Cl.**  
USPC ..... **D14/149**; D14/142; D14/130; D14/248;  
D14/251; D14/148

(58) **Field of Classification Search**

USPC ... D14/126, 129, 130, 140, 140.2, 142, 144,  
D14/145, 148, 149, 151, 248, 34.1,  
D14/356-358, 362, 365, 383-388, 467,  
D14/502, 251, 147, 150; D24/127, 128,  
D24/158, 160, 161, 185, 186; D16/202,  
D16/203, 208, 241, 242; D13/107, 108

CPC ..... H04M 1/274525; H04M 1/27455; H04M 1/02; H04M 1/0202; H04M 1/0264; H04M 1/0266; H04M 1/0295; H04M 1/72527; H04M 2201/50; H04M 2250/20; H04M 1/03; H04M 1/72502; H04N 1/00106; H04N 1/00302; H04N 1/00305; H04N 1/00307; H04N 2007/145; H04N 5/2253; H04N 7/14; H04N 7/142

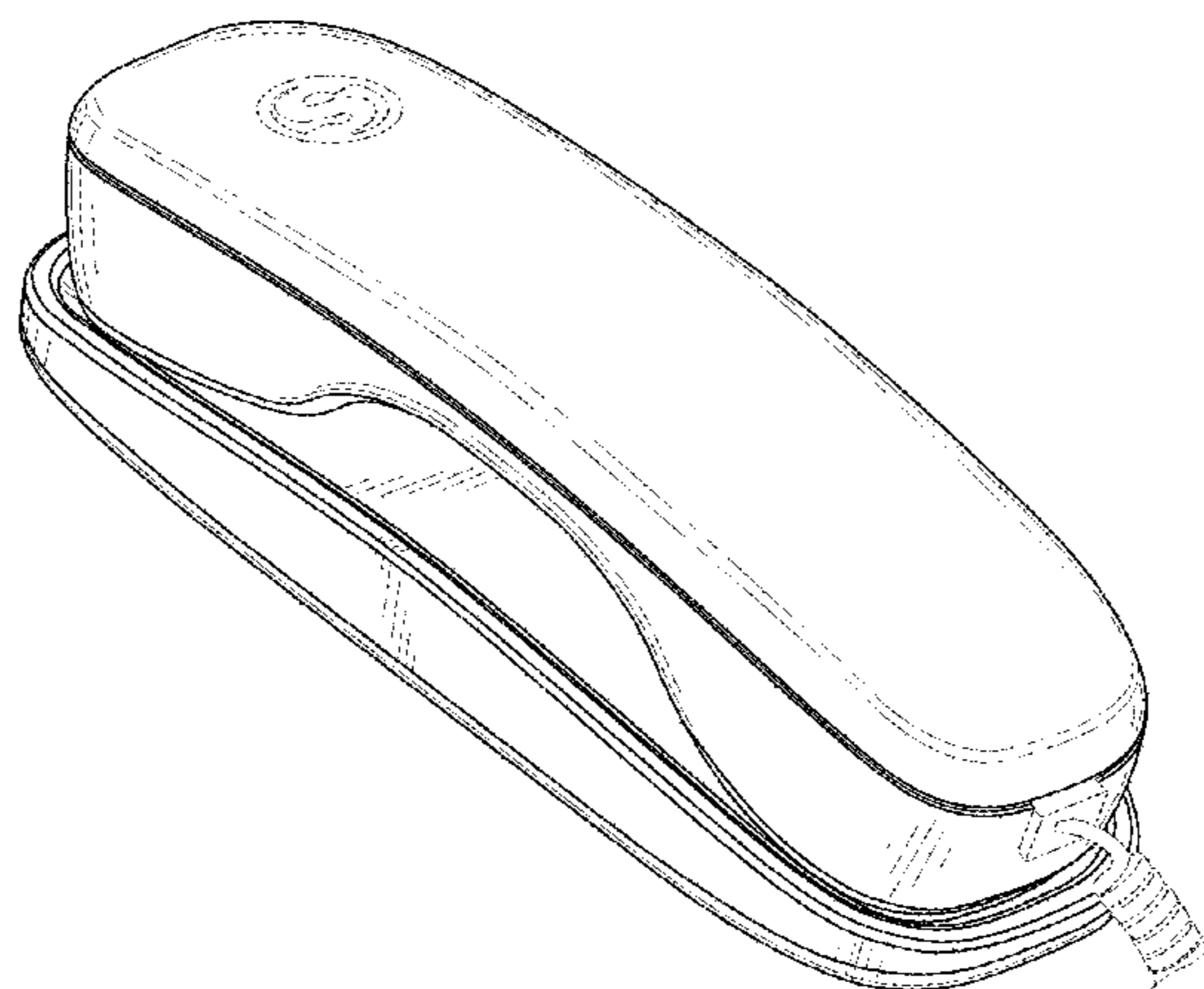
See application file for complete search history.

(56)

**References Cited**

U.S. PATENT DOCUMENTS

D150,251 S	7/1948	Pettigrew	
D263,046 S *	2/1982	Genaro .....	D14/149
4,368,359 A	1/1983	Genaro et al.	
D271,871 S *	12/1983	Shimizu .....	D14/148
D275,568 S *	9/1984	Marshall .....	D14/149
D275,853 S *	10/1984	Marshall .....	D14/149
D276,721 S *	12/1984	Marshall .....	D14/150
D278,531 S	4/1985	McGarvey et al.	
D283,127 S *	3/1986	Hai-Ping .....	379/434
D285,198 S *	8/1986	Danielson .....	D14/142
D285,436 S	9/1986	Klucznik et al.	
D287,964 S	1/1987	Perkins	
D296,693 S *	7/1988	Davidson .....	D14/149
D297,732 S *	9/1988	Chan .....	D14/149
D303,386 S *	9/1989	Iino .....	D14/142
D308,680 S	6/1990	Raggi et al.	
D309,304 S	7/1990	Takada et al.	
D309,898 S	8/1990	Azpeitia Ortiz de Arri	
D313,800 S	1/1991	Appleby	
5,008,924 A	4/1991	Guichard et al.	
D321,510 S *	11/1991	Langlois .....	D14/142
D322,785 S *	12/1991	Wu .....	D14/142
D324,217 S *	2/1992	Suckley .....	D14/142
D331,056 S	11/1992	Yu	
D333,465 S *	2/1993	Hayes .....	D14/142
D339,131 S	9/1993	Desbarats	
D342,731 S	12/1993	Wicks	
D348,459 S	7/1994	Yamagishi et al.	
D354,061 S	1/1995	Desbarats	
D357,251 S *	4/1995	Watanabe .....	D14/149
5,412,417 A	5/1995	Tozuka	
D362,662 S	9/1995	Baudot	
D369,804 S *	5/1996	Zeitman .....	D14/150
5,548,644 A *	8/1996	Boehnke .....	H04M 1/03 379/433.03
D377,935 S *	2/1997	Fink .....	D14/150
D403,678 S	1/1999	Hawley et al.	



D408,825 S	4/1999	Johnson et al.		D712,402 S	9/2014	Park et al.	
D426,820 S	6/2000	Zeitman		D712,403 S	9/2014	Park et al.	
6,141,052 A	10/2000	Fukumitsu et al.		D712,404 S	9/2014	Yuan et al.	
D436,937 S	1/2001	Eddington et al.		D712,896 S	9/2014	Lee et al.	
D437,588 S	2/2001	Jauregui et al.		D712,899 S	9/2014	Park et al.	
D437,589 S	2/2001	Zeitman		D713,403 S	9/2014	Groene et al.	
D458,599 S	6/2002	Nagase		D713,842 S	9/2014	Myung et al.	
D460,066 S	7/2002	Hillenmayer		D715,286 S	10/2014	Lee et al.	
D463,780 S	10/2002	Hung		D715,794 S	10/2014	Zhou et al.	
D469,072 S	1/2003	Dickinson		D715,795 S	10/2014	McManigal	
D478,881 S	8/2003	O'Leary et al.		D716,292 S	10/2014	Lai	
D489,342 S	5/2004	Campbell et al.		D716,293 S	10/2014	Hwang et al.	
D504,889 S	5/2005	Andre et al.		D716,797 S	11/2014	Lai	
D525,618 S	* 7/2006	Wilson .....	D14/224	D716,798 S	11/2014	Kurimoto et al.	
D530,715 S	10/2006	Wu		D716,799 S	11/2014	Green et al.	
D534,512 S	1/2007	Kim		D718,730 S	12/2014	Andresen et al.	
D549,676 S	8/2007	Pelletier		D720,345 S	12/2014	Chu et al.	
D550,195 S	9/2007	Ju		D720,745 S	1/2015	Yeo et al.	
D554,613 S	11/2007	Hikino et al.		D720,746 S	1/2015	Chung	
D559,210 S	1/2008	Brown et al.		D723,173 S	2/2015	Kim et al.	
D559,211 S	1/2008	Brown et al.		D732,491 S	6/2015	Choi et al.	
D582,875 S	12/2008	Haspil et al.		D751,205 S	3/2016	Tan et al.	
D585,397 S	1/2009	Hwang		D755,744 S	5/2016	Williams, Jr.	
D585,399 S	1/2009	Hwang		D757,676 S	* 5/2016	Hoehn .....	D14/148
D592,625 S	5/2009	Hwang		D758,984 S	6/2016	Maxwell et al.	
D600,242 S	9/2009	Yeh et al.		D769,839 S	10/2016	Tani et al.	
D609,662 S	2/2010	Noreng et al.		D771,821 S	11/2016	Hilbig et al.	
D614,601 S	4/2010	Kataoka et al.		D772,836 S	11/2016	Engelke et al.	
D617,793 S	6/2010	Chiang et al.		D781,808 S	* 3/2017	Pista .....	D14/148
D618,192 S	6/2010	Huang et al.		2002/0057334 A1	5/2002	Mukai et al.	
D629,771 S	12/2010	Haspil et al.		2008/0055394 A1	3/2008	Shiue	
D637,985 S	5/2011	Andresen		2014/0197240 A1	7/2014	Mistkawi	
D639,266 S	6/2011	DeLorenzo et al.		2015/0109401 A1	4/2015	Kasatani et al.	
D639,268 S	6/2011	DeLorenzo et al.					
D639,804 S	6/2011	Hwang et al.					
D642,174 S	7/2011	Hirota					
D650,767 S	12/2011	Lu et al.					
D651,185 S	12/2011	Andresen					
D656,137 S	3/2012	Chung et al.					
D658,616 S	5/2012	Van Der Flier et al.					
D668,642 S	* 10/2012	Feldman .....	D14/248				
D678,272 S	3/2013	Groene et al.					
D678,877 S	3/2013	Groene et al.					
D692,042 S	10/2013	Dawes et al.					
D696,246 S	12/2013	Kim					
D696,247 S	12/2013	Kim					
D696,248 S	12/2013	Lim et al.					
D696,254 S	12/2013	Groene et al.					
D696,662 S	12/2013	Song et al.					
D697,911 S	1/2014	McManigal et al.					
D698,780 S	2/2014	Lee					
D698,785 S	2/2014	Canizares et al.					
D698,787 S	2/2014	Kim					
D699,719 S	2/2014	Akana et al.					
D700,179 S	2/2014	Hong					
D700,180 S	2/2014	Hong					
D700,605 S	3/2014	Hong					
D701,201 S	3/2014	Jiang					
D702,228 S	4/2014	Park					
D702,229 S	4/2014	Lim et al.					
D702,231 S	4/2014	Park et al.					
D702,233 S	4/2014	Lee et al.					
D702,681 S	4/2014	Sugiyama et al.					
D703,667 S	4/2014	Song et al.					
D705,223 S	5/2014	Akana et al.					
D705,776 S	5/2014	Groene et al.					
D705,777 S	5/2014	Groene et al.					
D705,778 S	5/2014	Groene et al.					
D705,779 S	5/2014	Akana et al.					
D706,774 S	6/2014	Park et al.					
D706,775 S	6/2014	Akana et al.					
D707,675 S	6/2014	Akana et al.					
D708,608 S	7/2014	Sugiyama et al.					
D710,349 S	8/2014	Han et al.					
D710,843 S	8/2014	Akana et al.					
D711,335 S	8/2014	Kim					
D711,370 S	8/2014	Chen et al.					
D711,371 S	8/2014	Chen et al.					
D712,400 S	9/2014	Kim et al.					

OTHER PUBLICATIONS

Web Conferencing with HD Video\_Highfive.

\* cited by examiner

Primary Examiner — Susan Bennett Hattan

Assistant Examiner — Marie Fast Horse

(74) Attorney, Agent, or Firm — TraskBritt

(57)

CLAIM

The ornamental design for a handset and cradle unit assembly for a video phone set, substantially as shown and described.

DESCRIPTION

FIG. 1 is a perspective view of a handset and cradle unit assembly for a video phone set showing our new design. FIG. 2 is a front view of the handset and cradle unit assembly for a video phone set of FIG. 1; FIG. 3 is a back view of the handset and cradle unit assembly for a video phone set of FIG. 1; FIG. 4 is a right side view of the handset and cradle unit assembly for a video phone set of FIG. 1; FIG. 5 is a left side view of the handset and cradle unit assembly for a video phone set of FIG. 1; FIG. 6 is a top view of the handset and cradle unit assembly for a video phone set of FIG. 1; FIG. 7 is a bottom view of the handset and cradle unit assembly for a video phone set of FIG. 1; FIG. 8 is a perspective view of the handset of the video phone set of FIG. 1, shown separated from the cradle unit for clarity of disclosure; FIG. 9 is a front view of the handset of the video phone set of FIG. 1, shown separated from the cradle unit for clarity of disclosure;

FIG. 10 is a back view of the handset of the video phone set of FIG. 1, shown separated from the cradle unit for clarity of disclosure;

FIG. 11 is a right side view of the handset of the video phone set of FIG. 1, shown separated from the cradle unit for clarity of disclosure;

FIG. 12 is a left side view of the handset of the video phone set of FIG. 1, shown separated from the cradle unit for clarity of disclosure;

FIG. 13 is a top view of the handset of the video phone set of FIG. 1, shown separated from the cradle unit for clarity of disclosure;

FIG. 14 is a bottom view of the handset of the video phone set of FIG. 1, shown separated from the cradle unit for clarity of disclosure;

FIG. 15 is a perspective view of the cradle unit of the video phone set of FIG. 1, shown separated from the handset for clarity of disclosure;

FIG. 16 is a front view of the cradle unit of the video phone set of FIG. 1, shown separated from the handset for clarity of disclosure;

FIG. 17 is a back view of the cradle unit of the video phone set of FIG. 1, shown separated from the handset for clarity of disclosure;

FIG. 18 is a right side view of the cradle unit of the video phone set of FIG. 1, shown separated from the handset for clarity of disclosure;

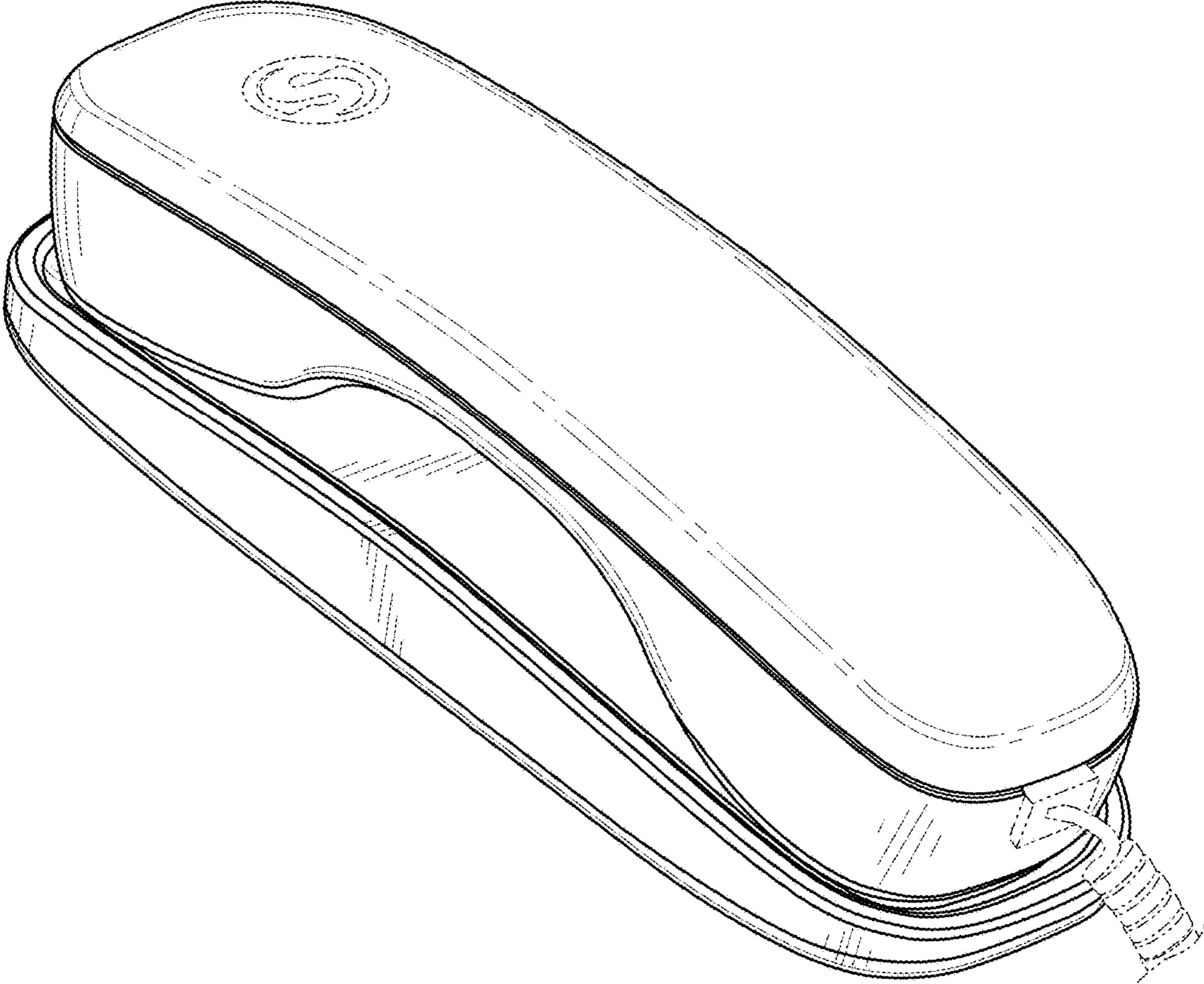
FIG. 19 is a left side view of the cradle unit of the video phone set of FIG. 1, shown separated from the handset for clarity of disclosure;

FIG. 20 is a top view of the cradle unit of the video phone set of FIG. 1, shown separated from the handset for clarity of disclosure; and,

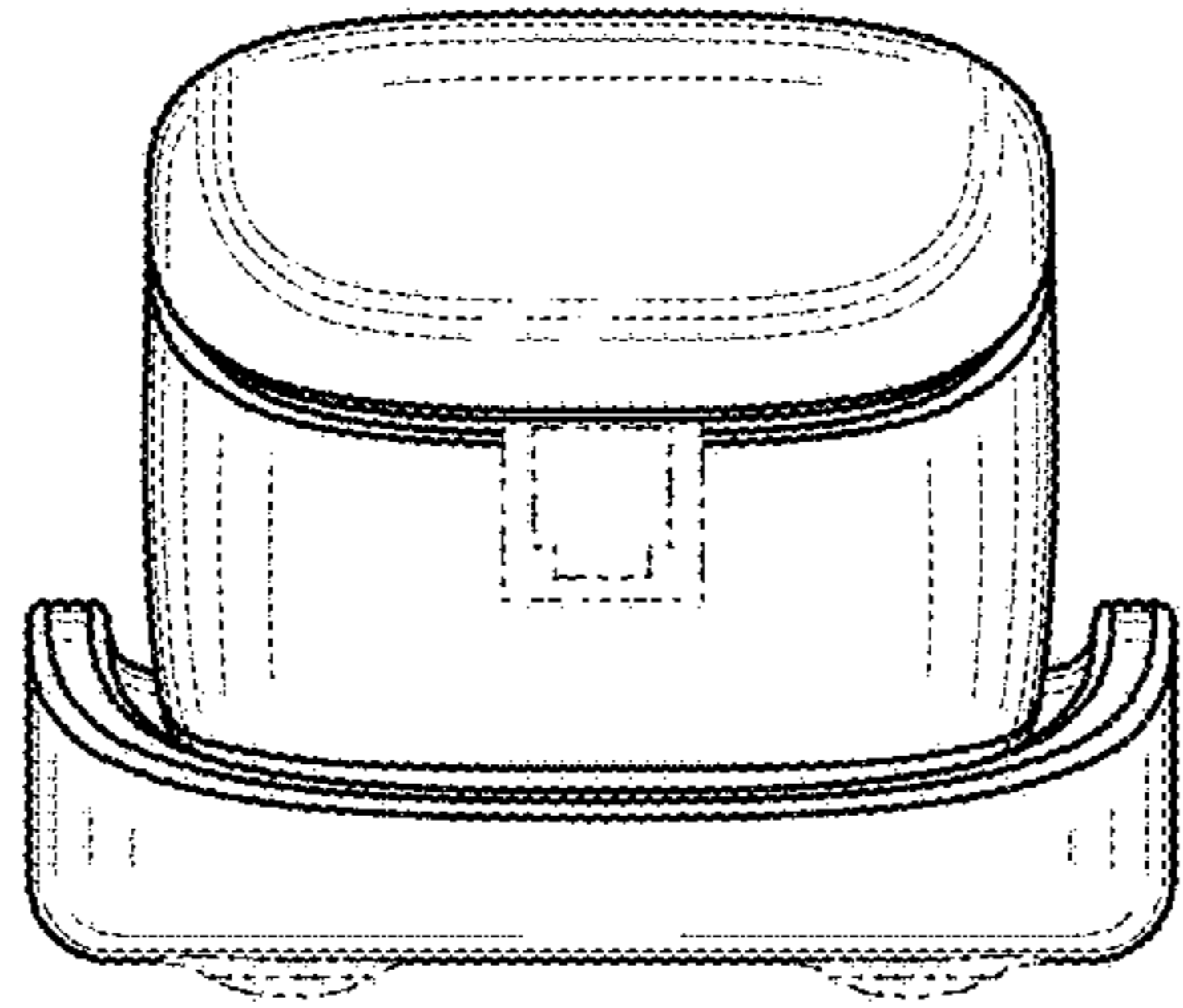
FIG. 21 is a bottom view of the cradle unit of the video phone set of FIG. 1, shown separated from the handset for clarity of disclosure.

The broken lines consisting of a long dash and two short dashes seen on the figures showing the logos on the top and bottom of the handset, the microphone and speaker holes of the handset, and the cord and connector on the front of the handset, the cord on the cradle unit, mounting structures on the inner portion of the cradle unit, and the feet on the bottom of the cradle unit represent environmental structure and form no part of the claim.

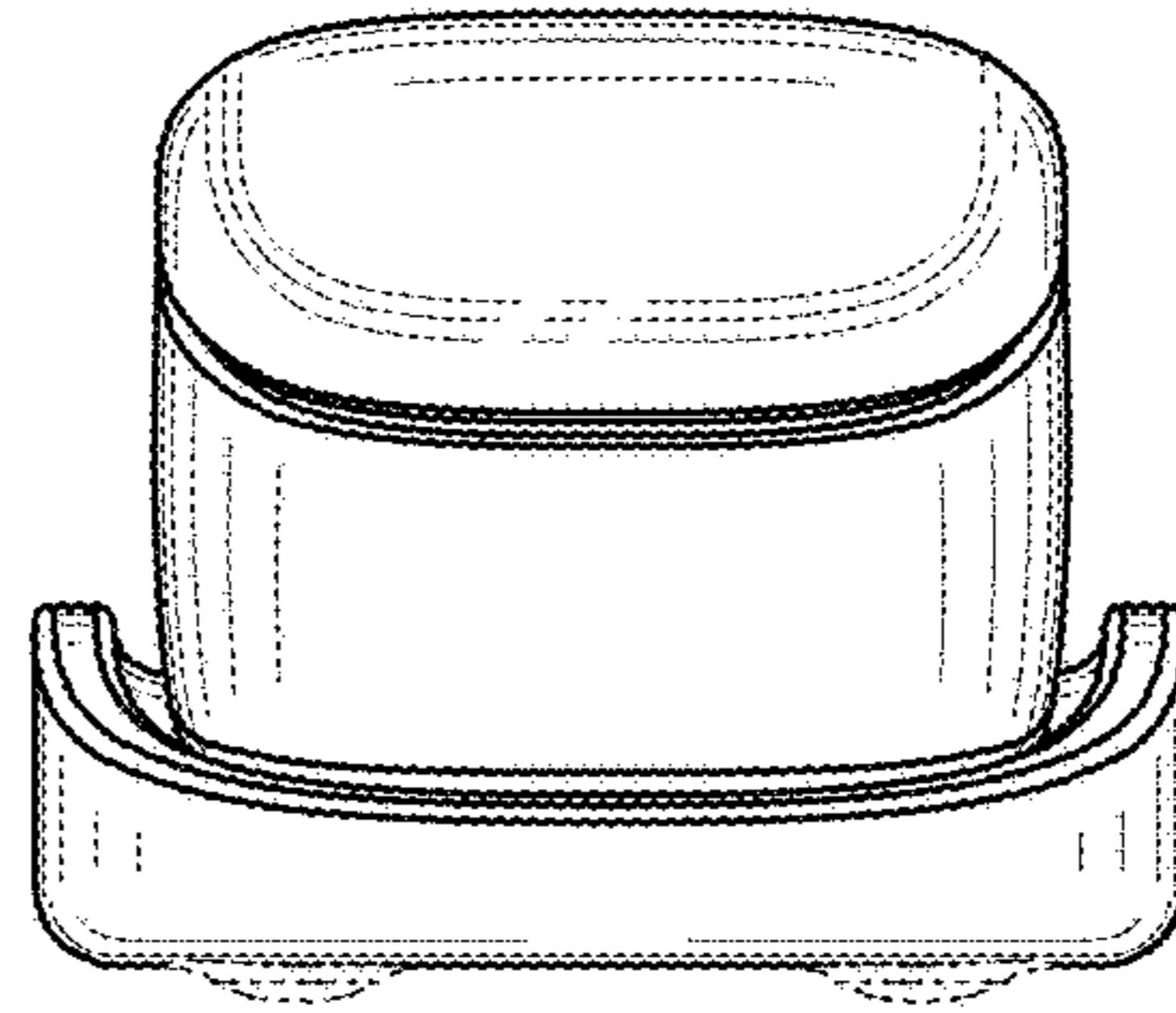
**1 Claim, 9 Drawing Sheets**



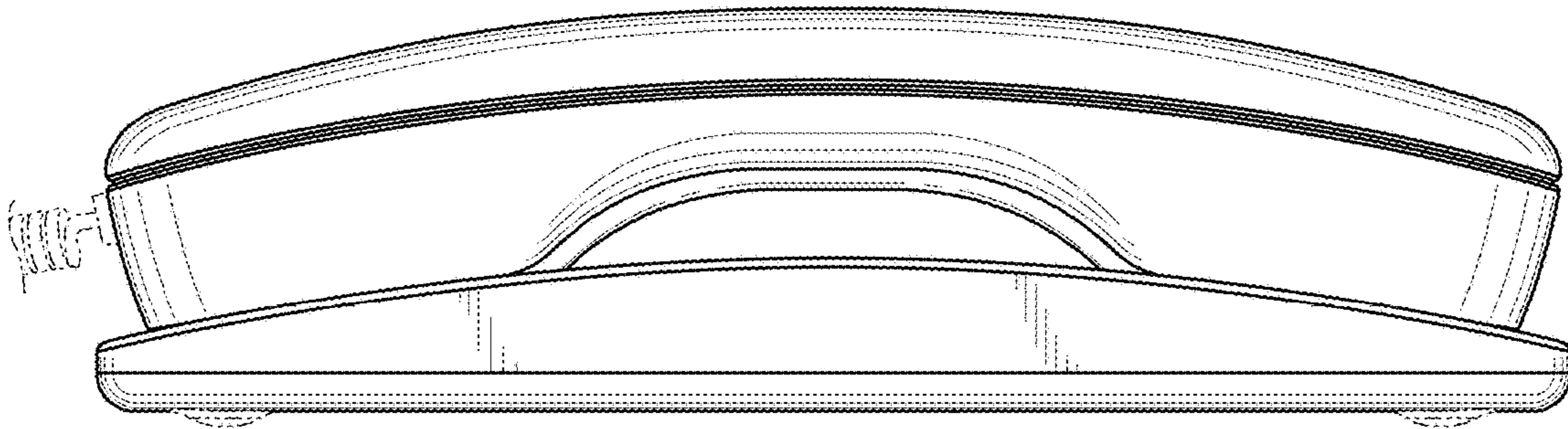
**FIG. 1**



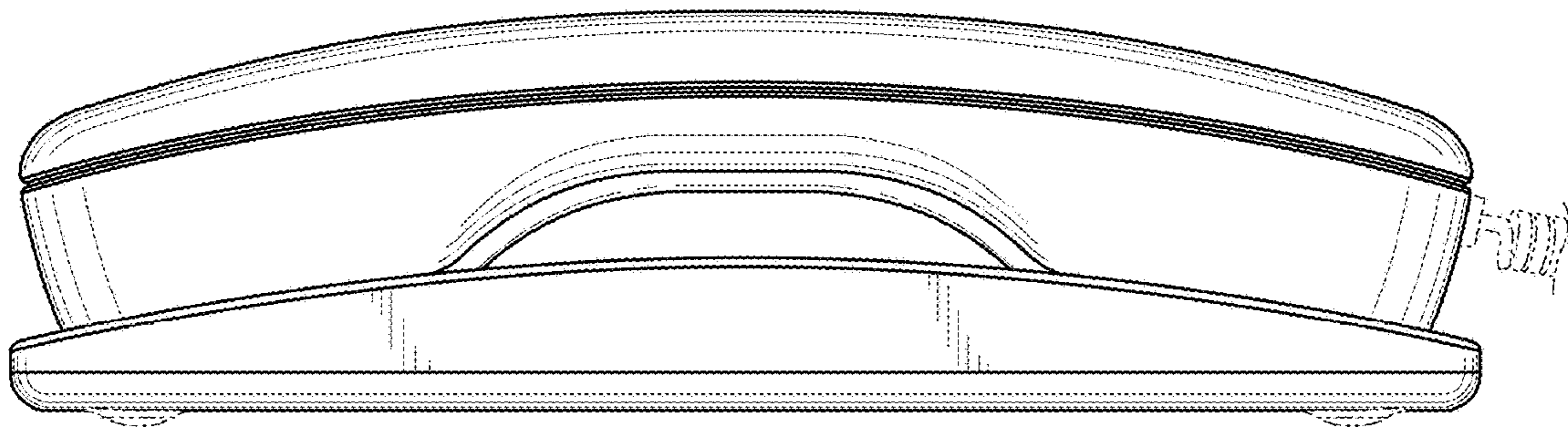
**FIG. 2**



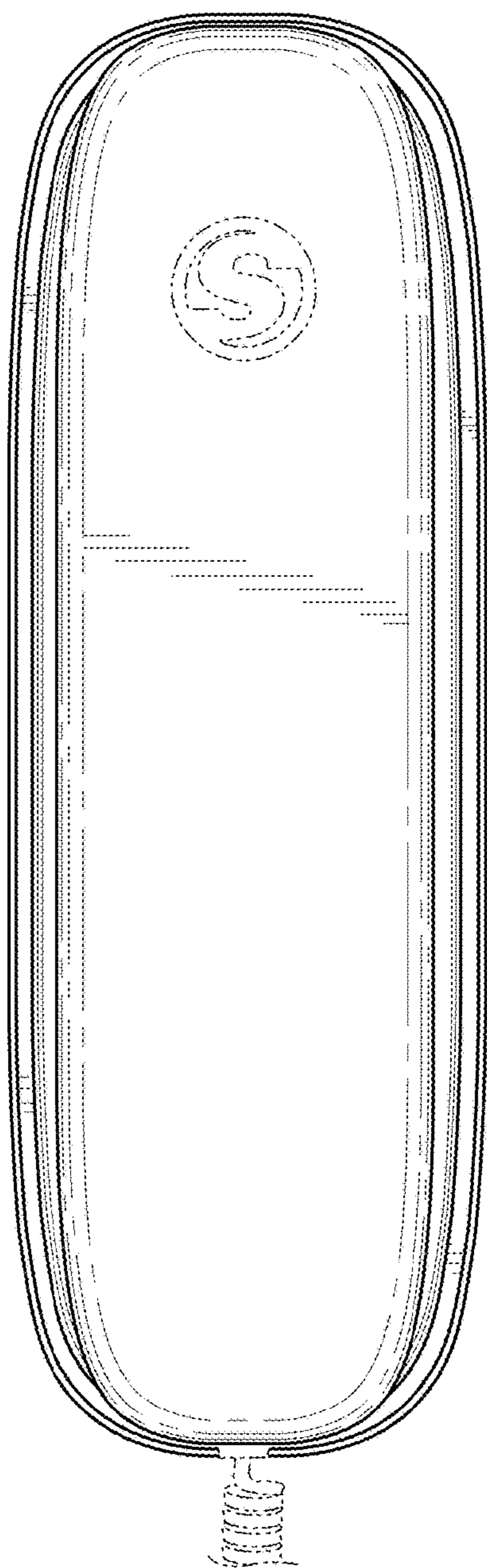
**FIG. 3**



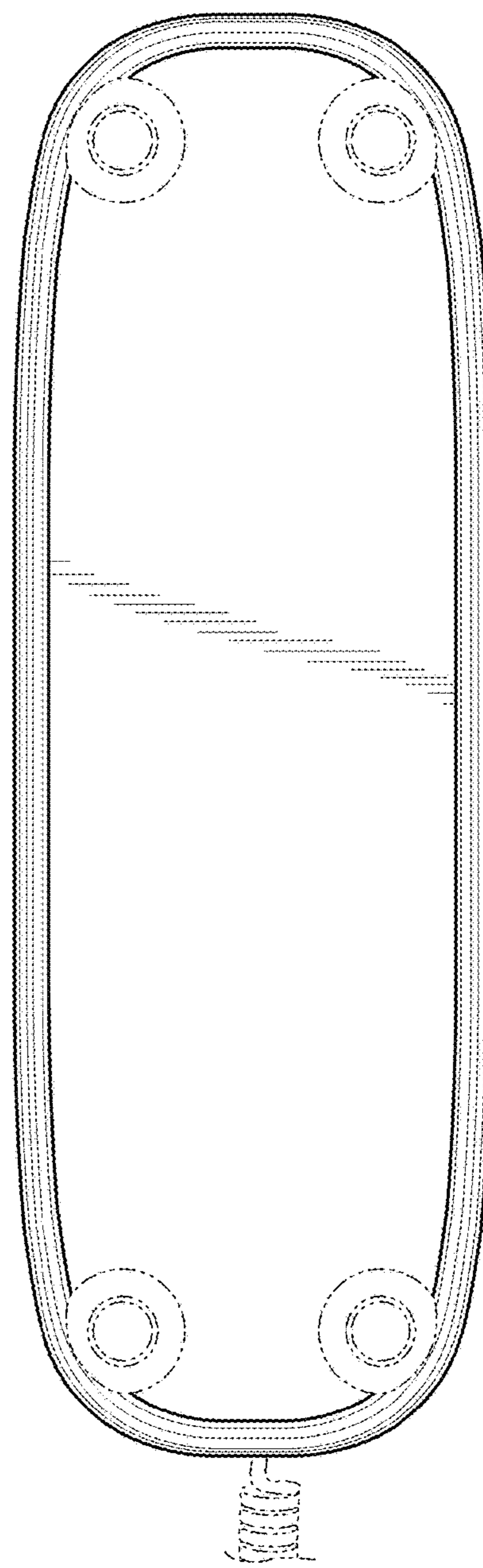
**FIG. 4**



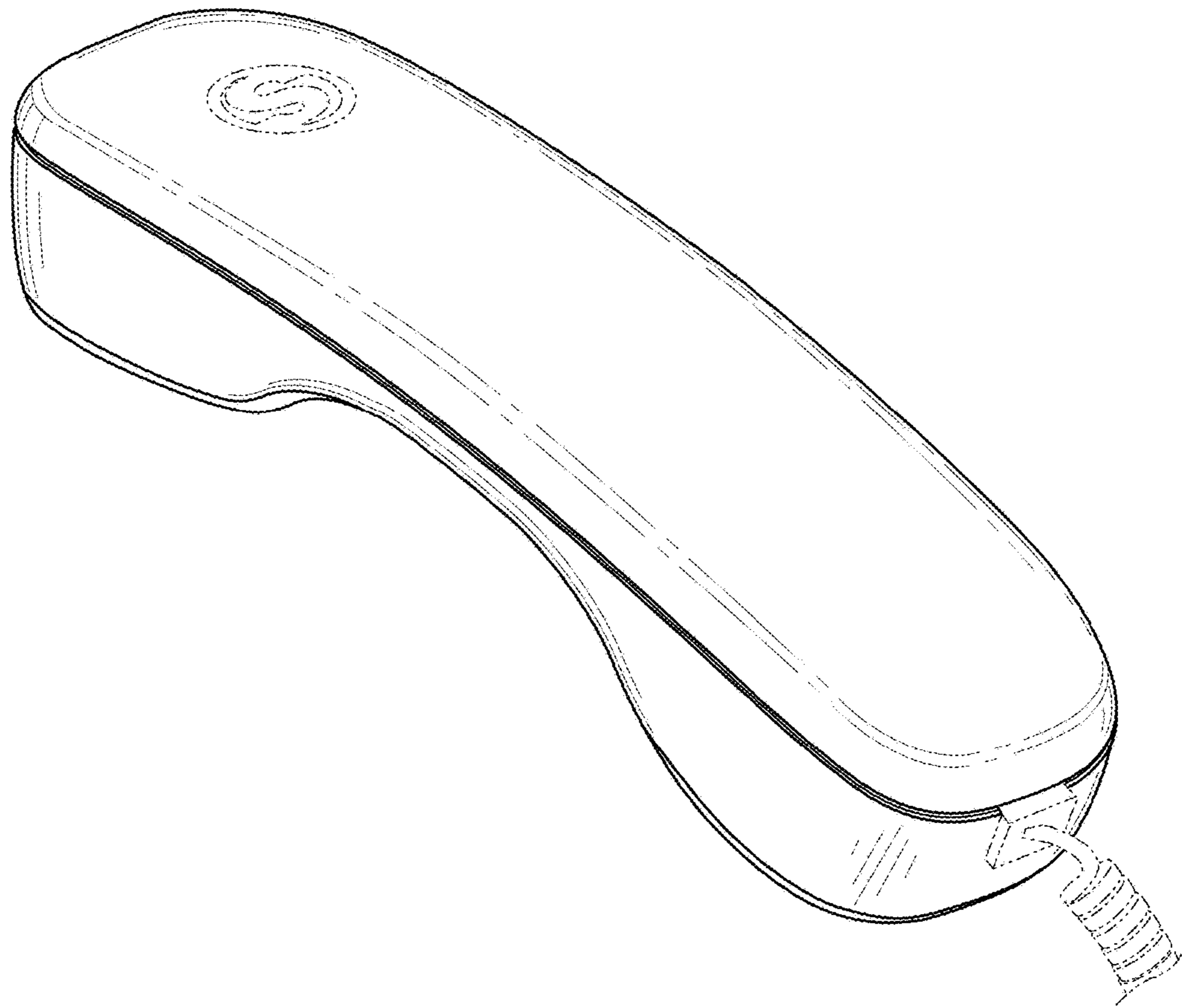
**FIG. 5**



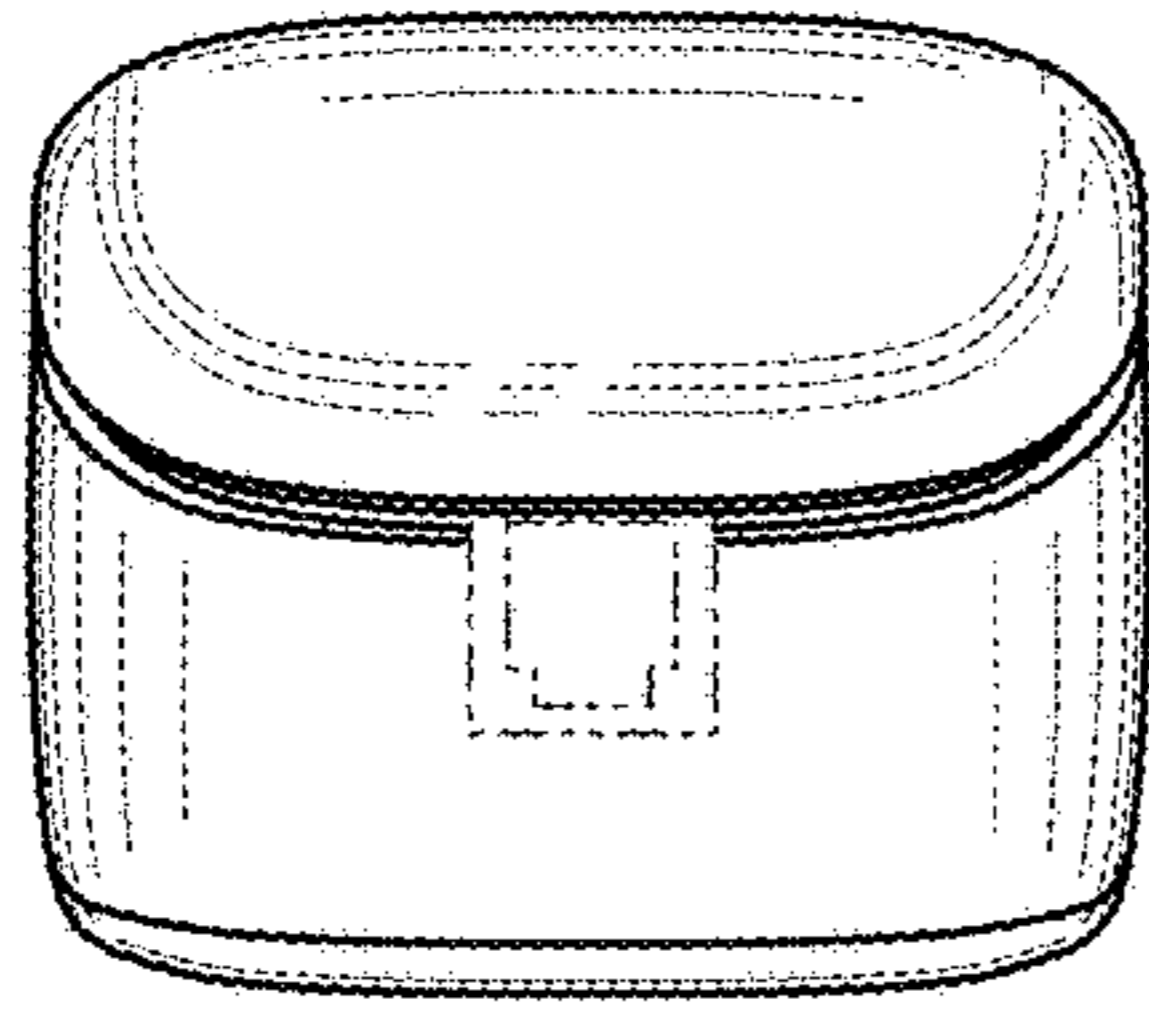
**FIG. 6**



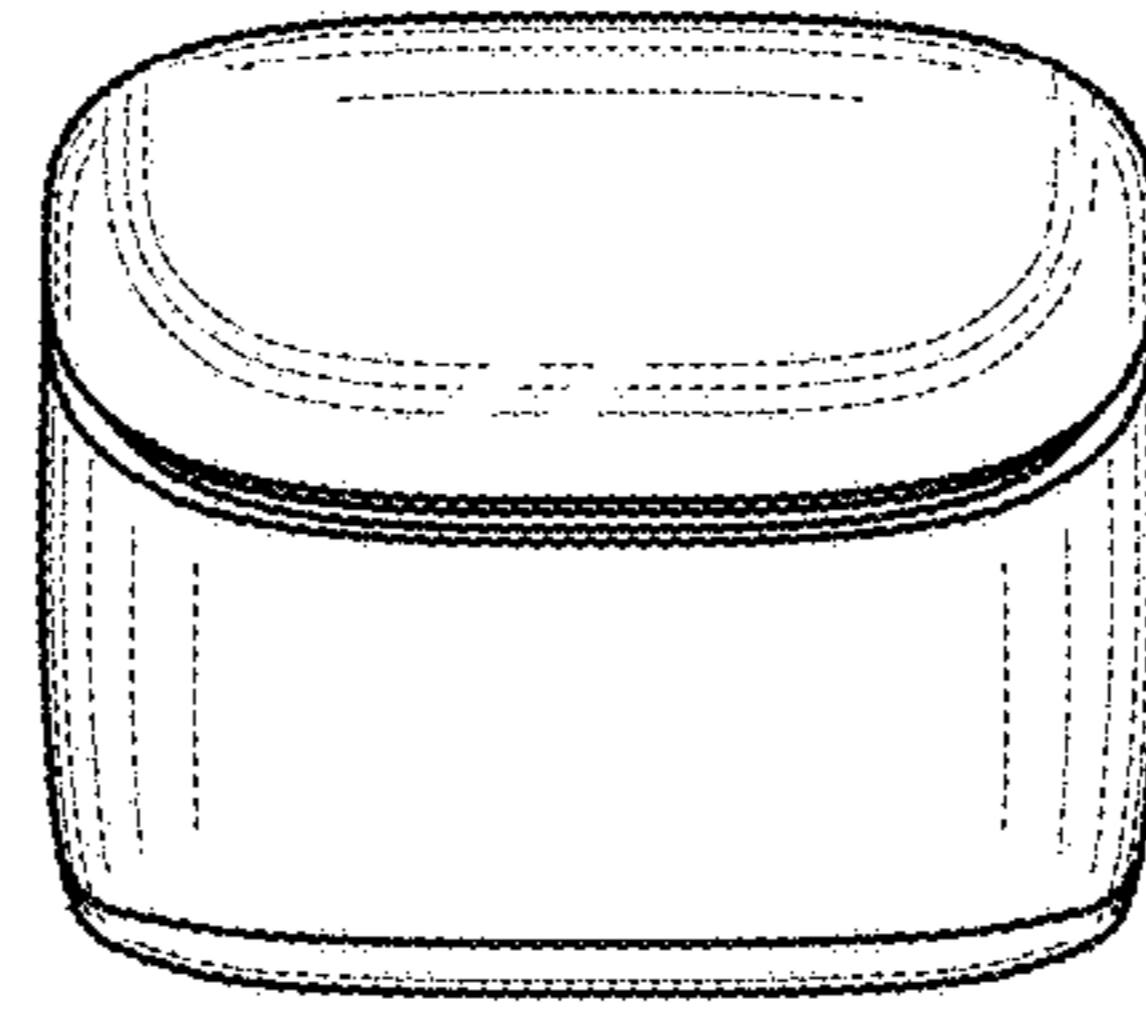
**FIG. 7**



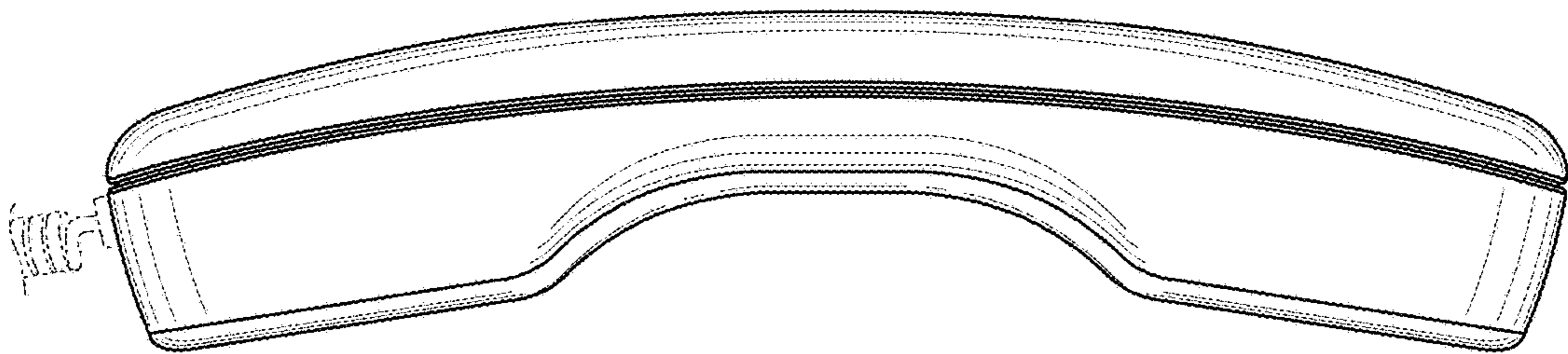
**FIG. 8**



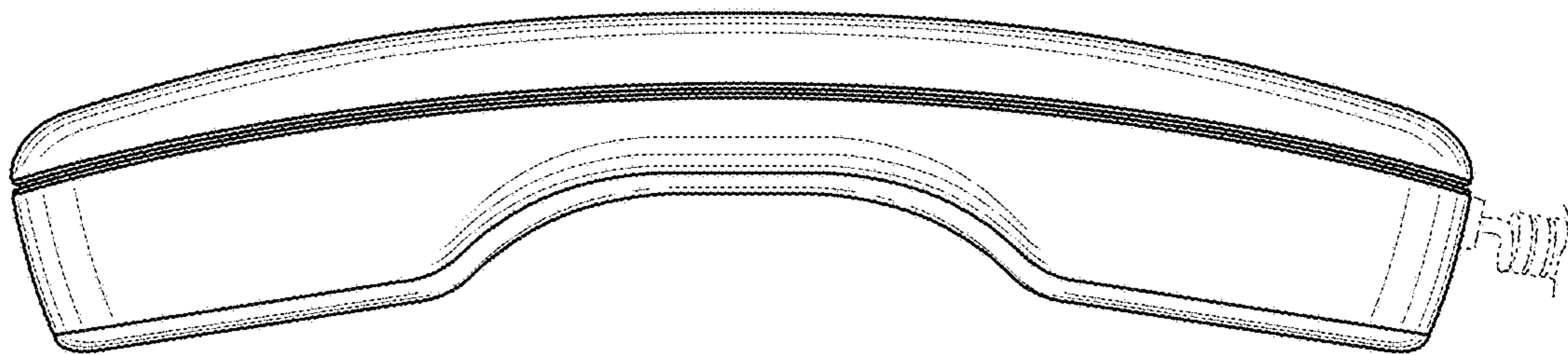
**FIG. 9**



**FIG. 10**

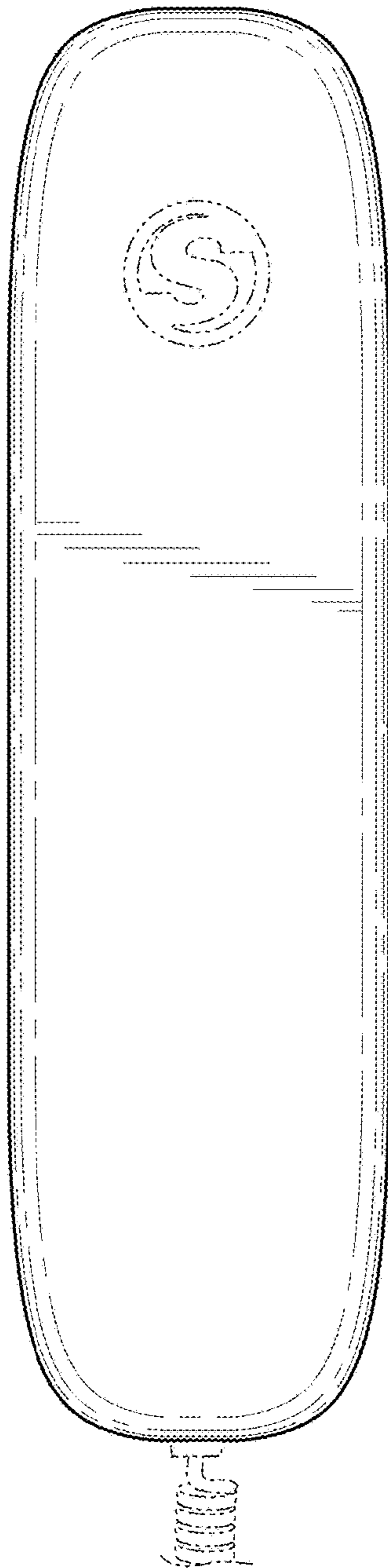


**FIG. 11**

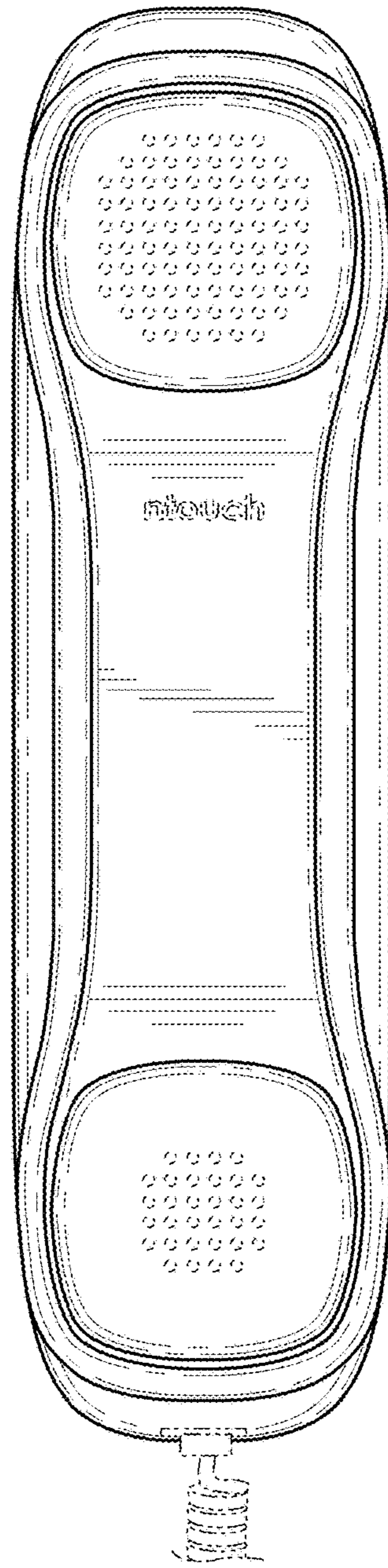


**FIG. 12**

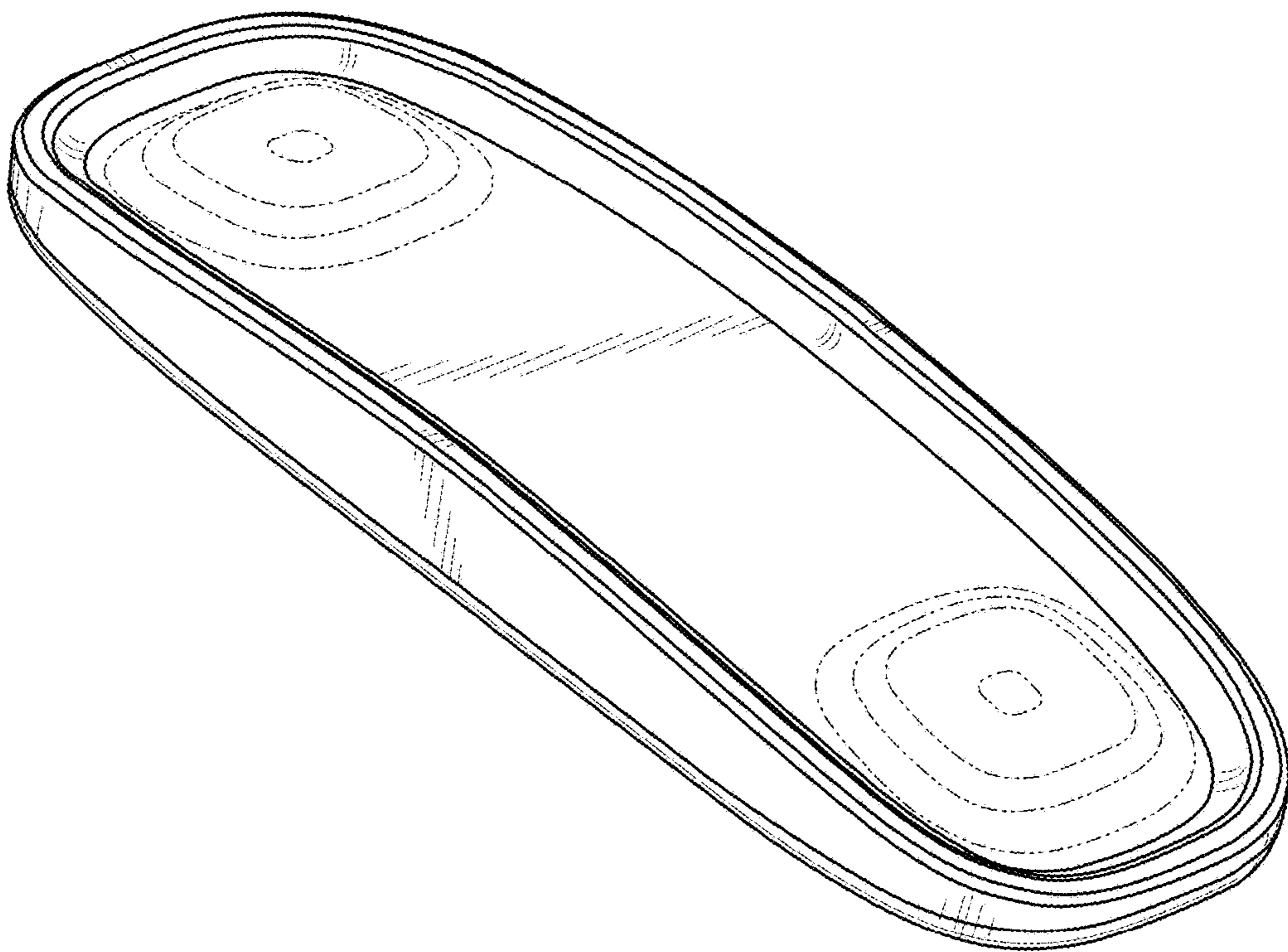




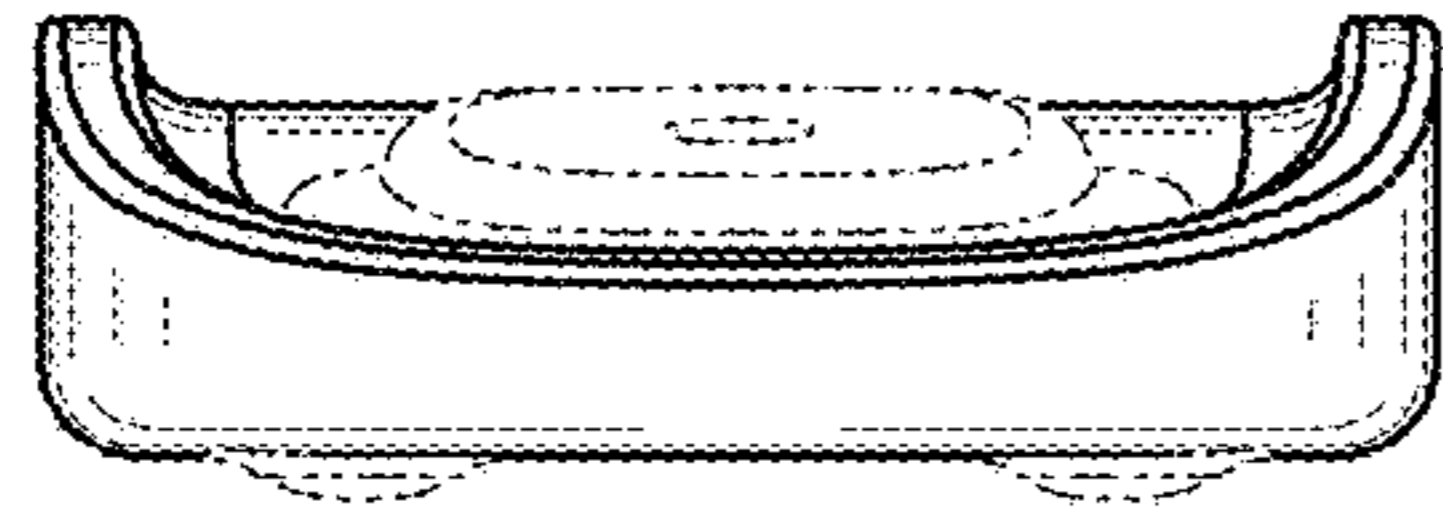
**FIG. 13**



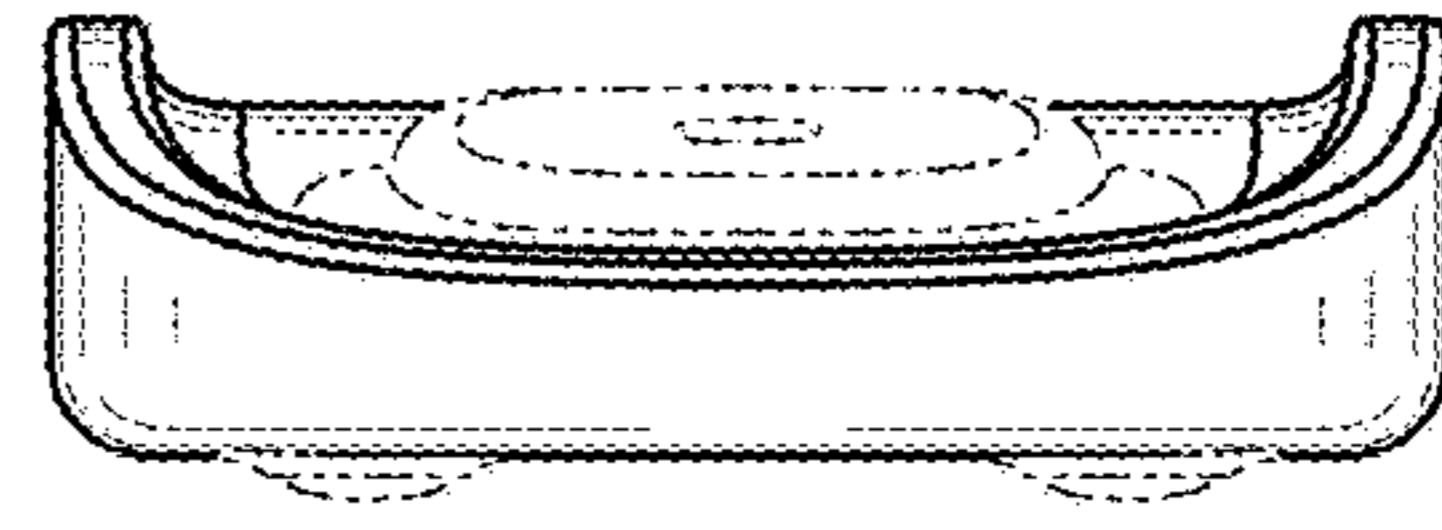
**FIG. 14**



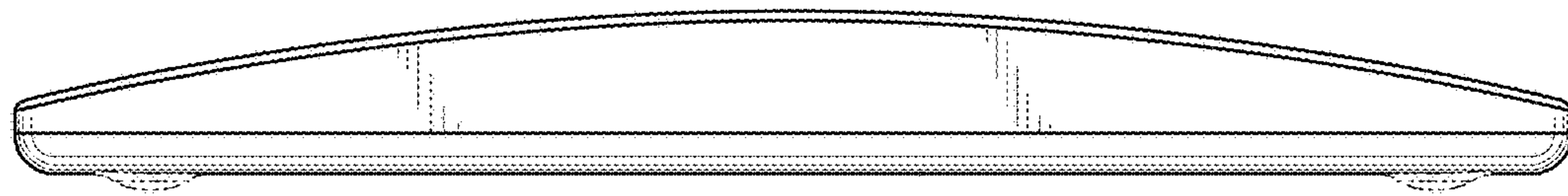
**FIG. 15**



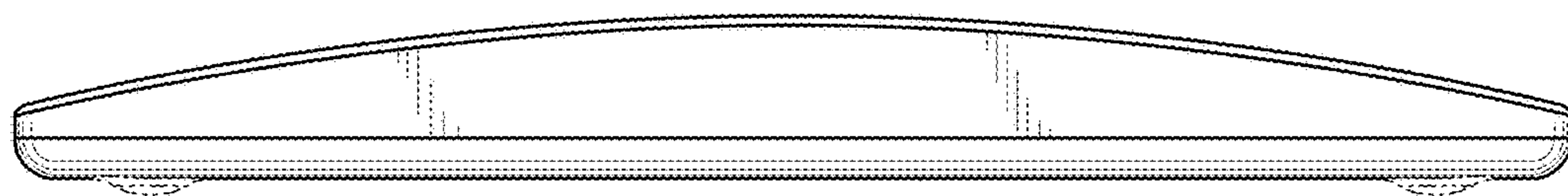
**FIG. 16**



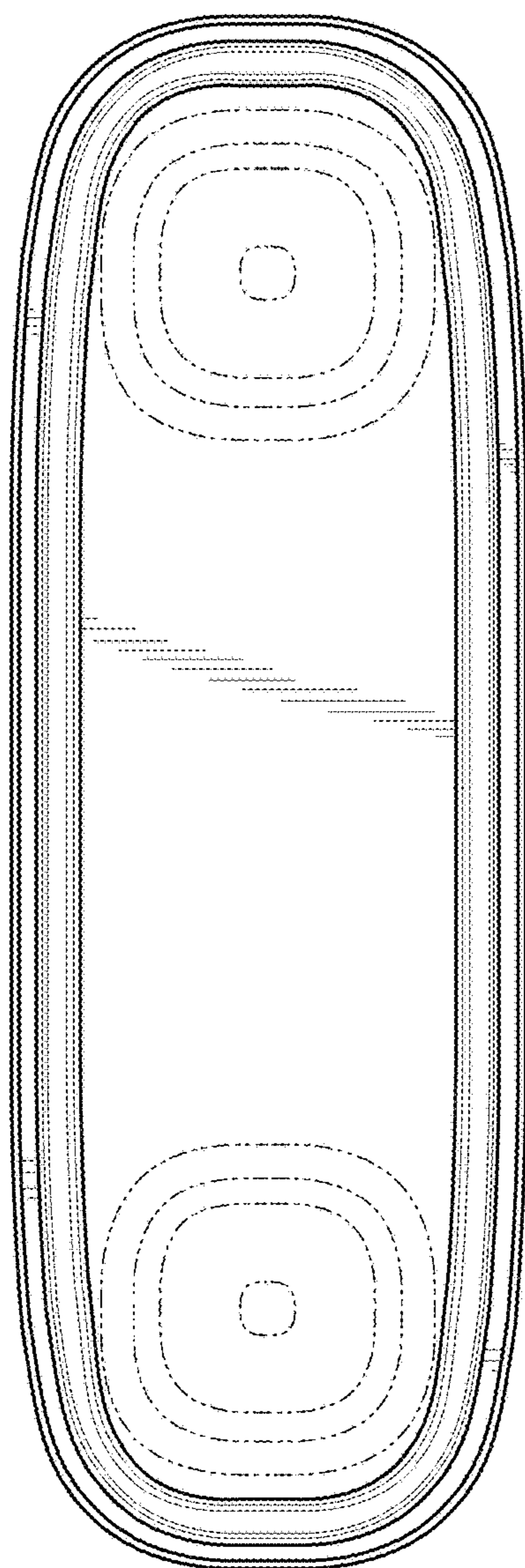
**FIG. 17**



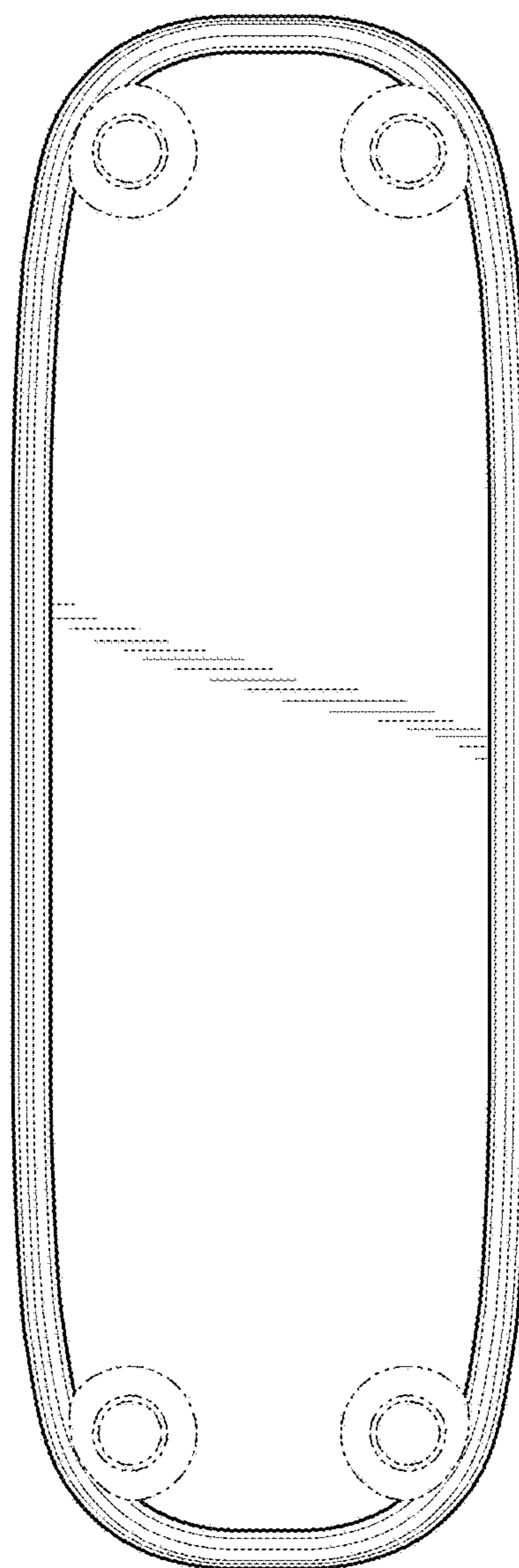
**FIG. 18**



**FIG. 19**



**FIG. 20**



**FIG. 21**

UNITED STATES PATENT AND TRADEMARK OFFICE  
**CERTIFICATE OF CORRECTION**

PATENT NO. : D792,867 S  
APPLICATION NO. : 29/593705  
DATED : July 25, 2017  
INVENTOR(S) : Conrad Arlo Maxwell et al.

Page 1 of 1

It is certified that error appears in the above-identified patent and that said Letters Patent is hereby corrected as shown below:

On the Title Page

In Item (72) Inventors:                      Line 9,                      change "Collleen" to --Colleen--

Signed and Sealed this  
Third Day of October, 2017



Joseph Matal  
*Performing the Functions and Duties of the  
Under Secretary of Commerce for Intellectual Property and  
Director of the United States Patent and Trademark Office*