



US00D792861S

(12) **United States Design Patent**  
**Xu et al.**

(10) **Patent No.:** **US D792,861 S**  
(45) **Date of Patent:** **\*\* Jul. 25, 2017**

(54) **MOBILE PHONE**

(71) Applicant: **HON HAI PRECISION INDUSTRY CO., LTD.**, New Taipei (TW)

(72) Inventors: **Zheng-Gang Xu**, Shenzhen (CN);  
**Xing-Zhi Wang**, Shenzhen (CN)

(73) Assignee: **HON HAI PRECISION INDUSTRY CO., LTD.**, New Taipei (TW)

(\*\*) Term: **14 Years**

(21) Appl. No.: **29/513,240**

(22) Filed: **Dec. 29, 2014**

(30) **Foreign Application Priority Data**

Oct. 8, 2014 (CN) ..... 2014 3 0376481

(51) **LOC (10) Cl.** ..... **14-03**

(52) **U.S. Cl.**  
USPC ..... **D14/138 AA**

(58) **Field of Classification Search**  
USPC ..... D6/300, 301, 302, 308, 309; D13/168;  
D14/138 G, 138 R, 138 AD, 203.1, 203.3,  
D14/203.5, 203.6, 203.7, 218, 248, 250,  
D14/315, 341, 342, 343, 344, 345, 346,  
D14/347, 420, 426, 496

CPC ..... G06F 1/1626; H04M 1/72527; H04M  
1/0266; H04M 1/185; H04M 1/0214

See application file for complete search history.

(56) **References Cited**

**U.S. PATENT DOCUMENTS**

110,833 A \* 1/1871 Curtis ..... A47G 1/06  
40/798  
779,366 A \* 1/1905 Kelsea ..... A47G 1/16  
40/700  
D39,638 S \* 10/1908 Eustis ..... D6/309  
D39,639 S \* 10/1908 Eustis ..... D26/142  
D248,711 S \* 8/1978 Tougas ..... D6/300

D480,396 S \* 10/2003 Buckner ..... D14/341  
D487,355 S \* 3/2004 Connolly ..... D6/301  
D497,601 S \* 10/2004 Brandis ..... D14/138 R  
D529,724 S \* 10/2006 Mohundro ..... D6/309  
D543,174 S \* 5/2007 Kim ..... D14/138 AD  
D561,158 S \* 2/2008 Heng ..... D14/138 AB  
D563,906 S \* 3/2008 Cheng ..... D13/168  
D580,184 S \* 11/2008 Svendsen ..... D6/309  
D590,804 S \* 4/2009 Tkachuk ..... D14/138 AD  
D593,062 S \* 5/2009 Lee ..... D14/138 AD  
D594,842 S \* 6/2009 Park ..... D14/138 AD

(Continued)

**OTHER PUBLICATIONS**

Thrystan, Blue iPhone Concept Quite Sexy If You Ask Me, May 29, 2008, <http://www.concept-phones.com/apple/blue-iphone-concept-quite-sexy-if-you-ask-me/>.\*

(Continued)

*Primary Examiner* — John Windmuller

*Assistant Examiner* — Benjamin Weeks

(74) *Attorney, Agent, or Firm* — Steven Reiss

(57) **CLAIM**

The ornamental design for a mobile phone, as shown and described.

**DESCRIPTION**

FIG. 1 is a perspective view of a mobile phone showing my new design;

FIG. 2 is a front elevational view thereof;

FIG. 3 is a rear elevational view thereof;

FIG. 4 is a right-side elevational view thereof;

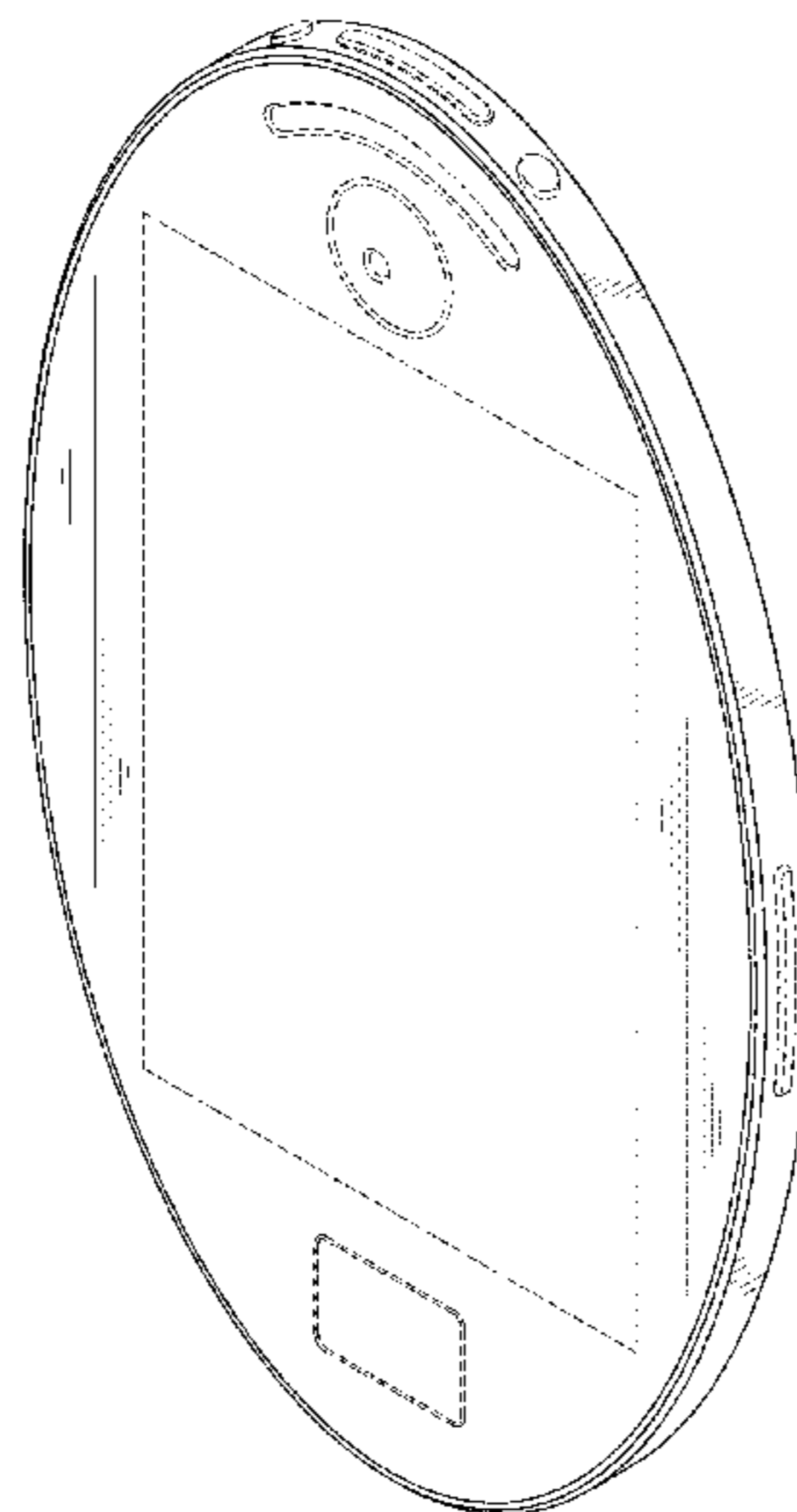
FIG. 5 is a left-side elevational view thereof;

FIG. 6 is a top plan view thereof; and,

FIG. 7 is a bottom plan view thereof.

The broken lines in the drawings are employed to show unclaimed portions of the mobile phone, and form no part of the claimed design.

**1 Claim, 7 Drawing Sheets**



(56)

**References Cited**

U.S. PATENT DOCUMENTS

D603,820 S \* 11/2009 Hu ..... D14/138 AD  
D604,955 S \* 12/2009 Kuo ..... D6/309  
D610,107 S \* 2/2010 Duarte ..... D14/138 AD  
D619,556 S \* 7/2010 Han ..... D14/138 AD  
D627,774 S \* 11/2010 Setthalath ..... D14/318  
D634,725 S \* 3/2011 Ewing, Jr. .... D14/138 G  
D645,012 S \* 9/2011 Lee ..... D14/138 G  
D719,747 S \* 12/2014 Mischel, Jr. .... D6/309  
D736,993 S \* 8/2015 Wang ..... D26/124

OTHER PUBLICATIONS

Chinabuye, K901 Quad Band Dual SIM Touch Screen Bar Phone with Oval Shape, Apr. 28, 2010, YouTube, <https://www.youtube.com/watch?v=mhSKaUfaog4>.\*

Oleg Olegov, tphone x5.avi, Jun. 27, 2010, Youtube, <https://www.youtube.com/watch?v=p8kloxCm33Q>.\*

\* cited by examiner

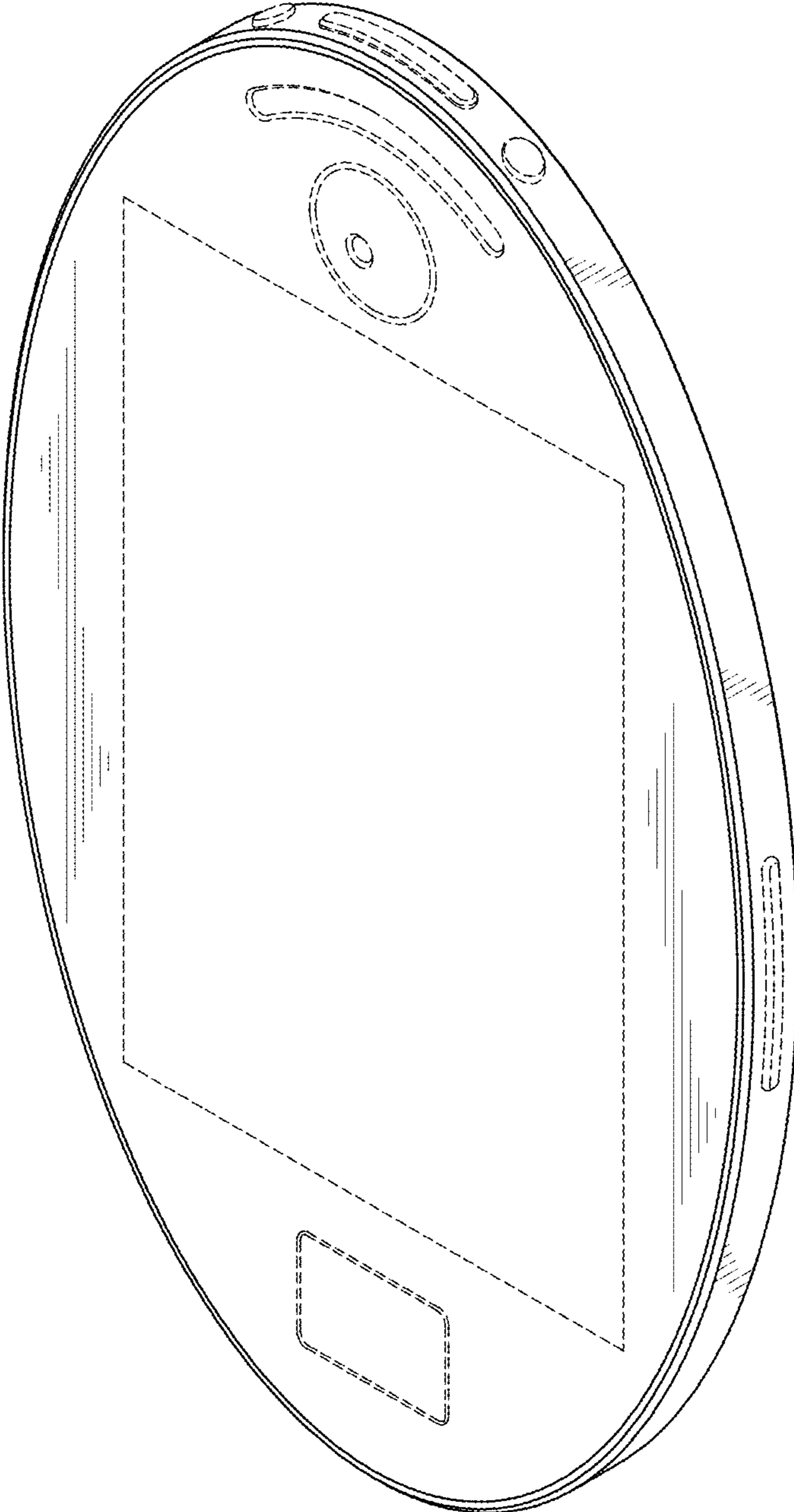


FIG. 1

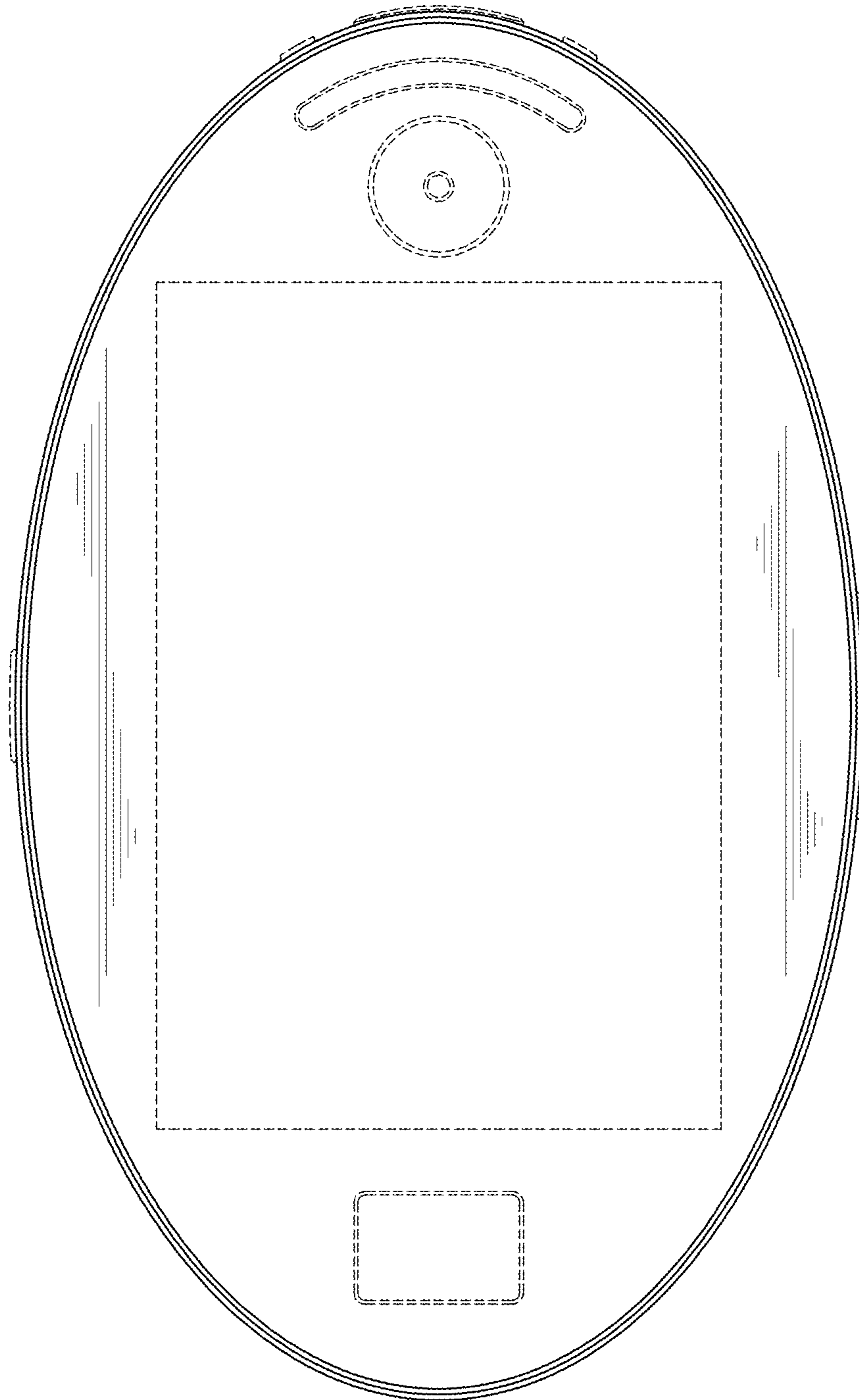


FIG. 2

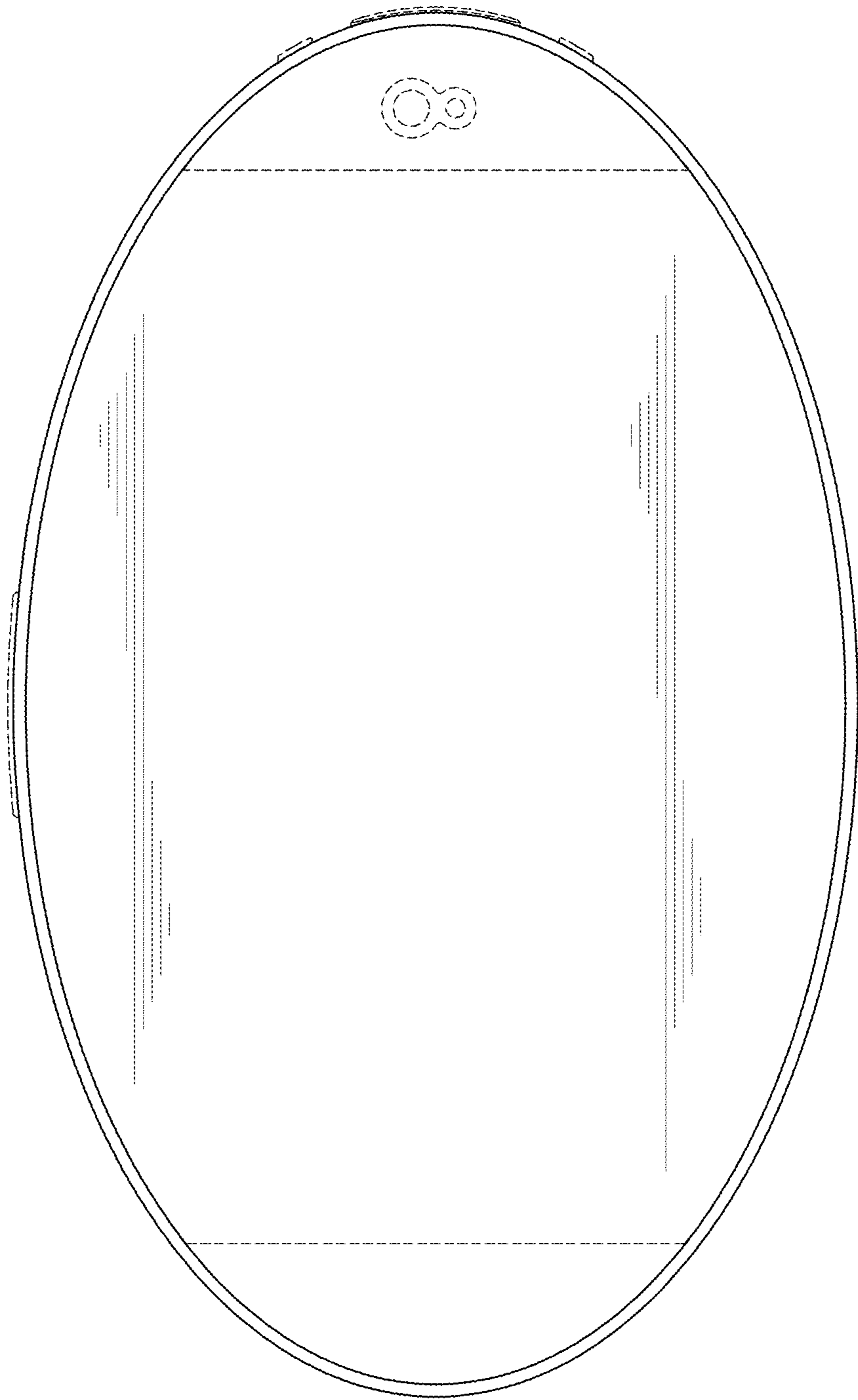


FIG. 3

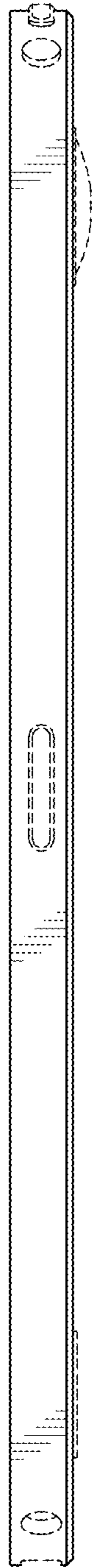


FIG. 4

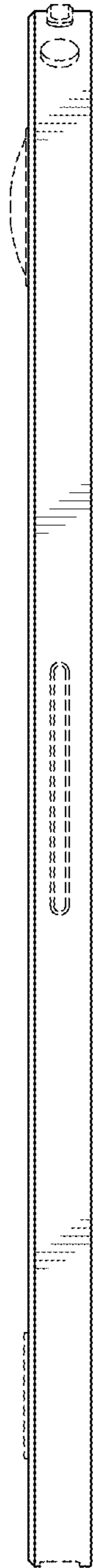


FIG. 5





FIG. 6



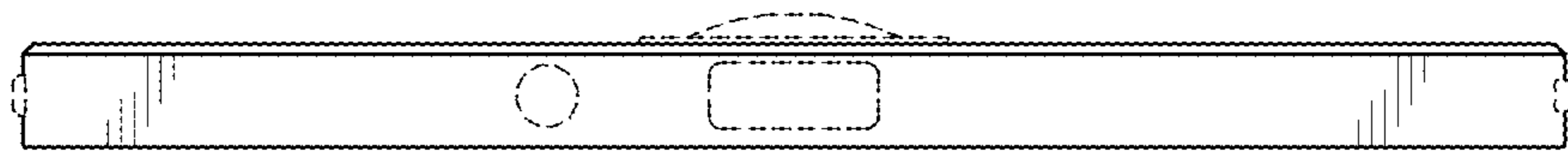


FIG. 7