

US00D792860S

(12) **United States Design Patent**
Rath et al.

(10) **Patent No.:** **US D792,860 S**
(45) **Date of Patent:** **** Jul. 25, 2017**

- (54) **SWITCH**
- (71) Applicant: **Raffel Systems, LLC**, Germantown, WI (US)
- (72) Inventors: **Mitchell P. Rath**, Menomonee Falls, WI (US); **Kenneth G. Seidl**, Port Washington, WI (US)
- (73) Assignee: **Raffel Systems, LLC**, Germantown, WI (US)
- (**) Term: **15 Years**
- (21) Appl. No.: **29/564,464**
- (22) Filed: **May 13, 2016**
- (51) **LOC (10) Cl.** **13-03**
- (52) **U.S. Cl.**
USPC **D13/174**
- (58) **Field of Classification Search**
USPC D13/162, 164, 171, 173, 174
CPC H01H 3/02; H01H 3/022; H01H 3/12; H01H 3/122; H01H 9/02; H01H 9/0235; H01H 13/023; H01H 13/04; H01H 13/06; H01H 13/063; H01H 13/10; H01H 13/12; H01H 13/14; H01H 13/36; H01H 13/70; H01H 13/86; H01H 21/24; H01H 25/065; A47C 1/0345; A47C 1/035; A47C 7/506
See application file for complete search history.

8,766,115	B2 *	7/2014	Kristen	H01H 13/86	200/5 A
D712,847	S *	9/2014	Dorn	D13/174	
D740,238	S *	10/2015	Dorn	D13/174	
D758,975	S *	6/2016	Hunter	D13/162	
D786,805	S *	5/2017	Anderson	D13/174	
9,640,343	B2 *	5/2017	Koch	H01H 9/0207	
2011/0108403	A1 *	5/2011	Kukita	H01H 13/14	200/341
2011/0198894	A1 *	8/2011	Hsieh	A47C 1/0242	297/68
2014/0306505	A1 *	10/2014	Koch	H01H 9/0207	297/330
2014/0353134	A1 *	12/2014	Muller	H01H 3/20	200/5 A

* cited by examiner

Primary Examiner — Selina Sikder

(74) *Attorney, Agent, or Firm* — Tyler J. Sisk; Casimir Jones, S.C.

(57) **CLAIM**

The ornamental design for a switch, as shown and described.

DESCRIPTION

FIG. 1 is a three-quarter perspective view showing our new design of a switch;
 FIG. 2 is a front elevational view thereof;
 FIG. 3 is a rear elevational view thereof;
 FIG. 4 is a left side elevational view thereof;
 FIG. 5 is a right side elevational view thereof;
 FIG. 6 is a top plan view thereof; and,
 FIG. 7 is a bottom plan view thereof.
 The broken lines shown in FIGS. 1 through 7 are for the purpose of illustrating environment, and form no part of the claimed design.

1 Claim, 7 Drawing Sheets

- (56) **References Cited**
U.S. PATENT DOCUMENTS
6,800,819 B2 * 10/2004 Sato H01H 3/122
200/314
D685,333 S * 7/2013 Beroukas D13/174

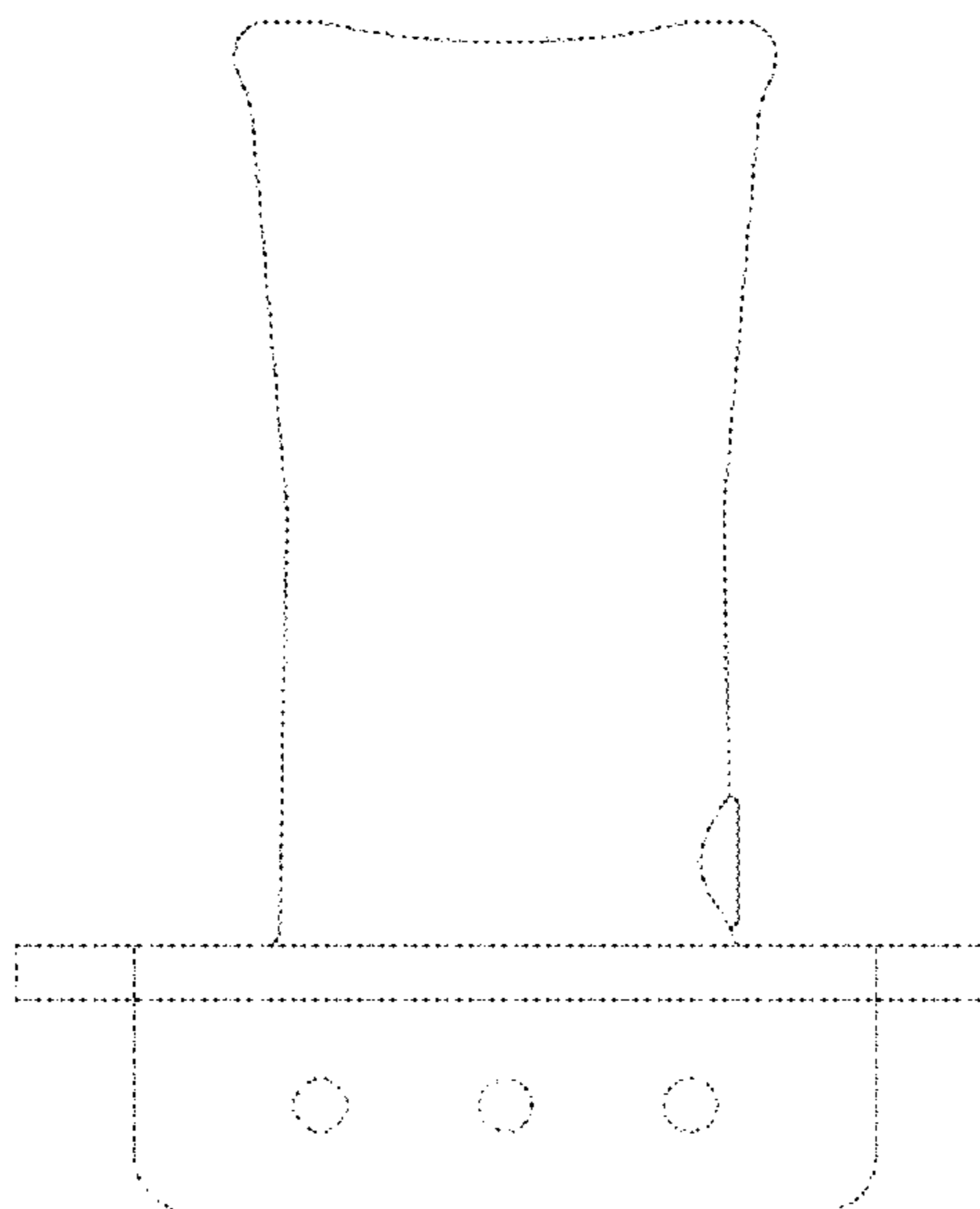
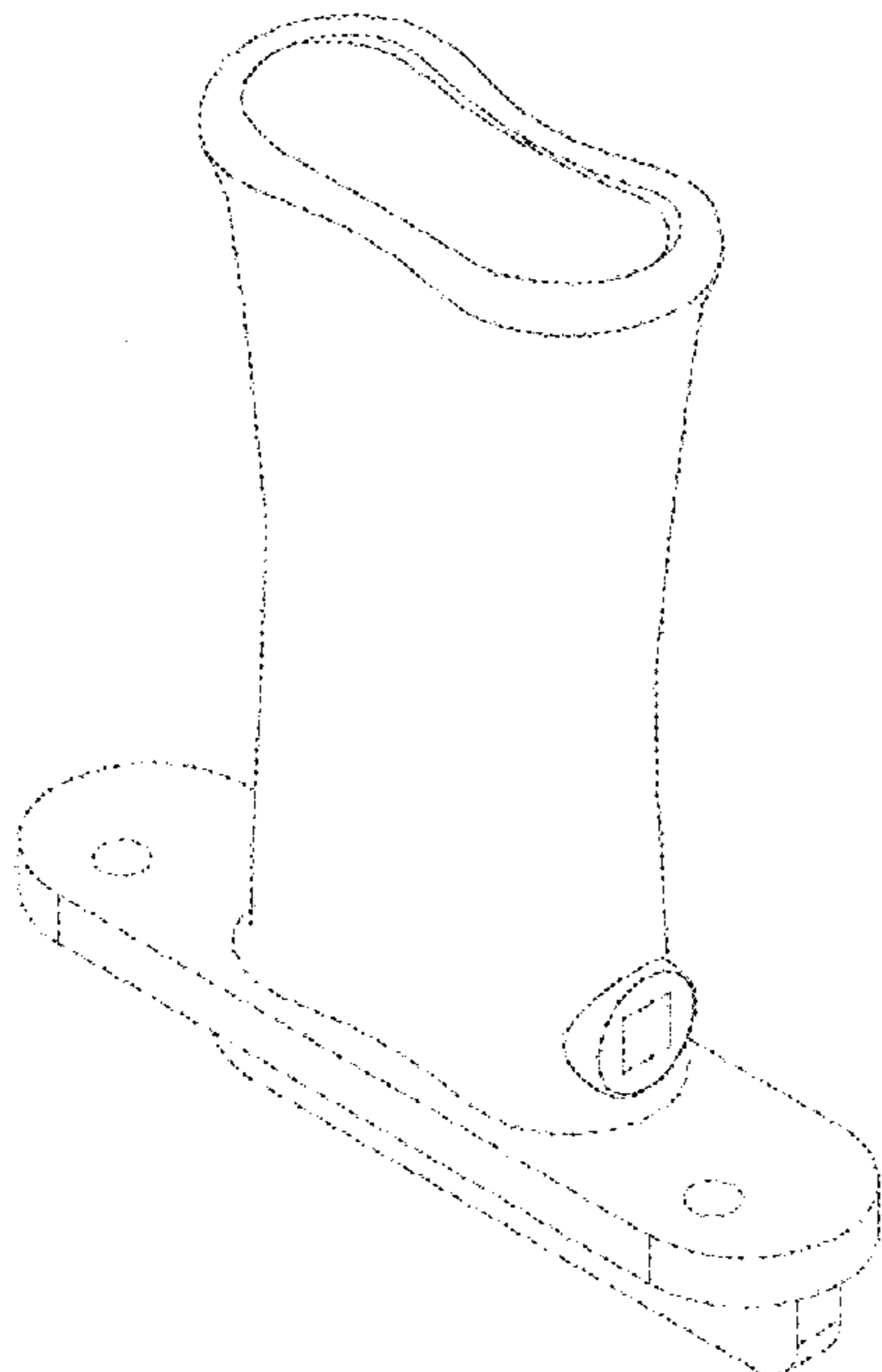


FIG. 1

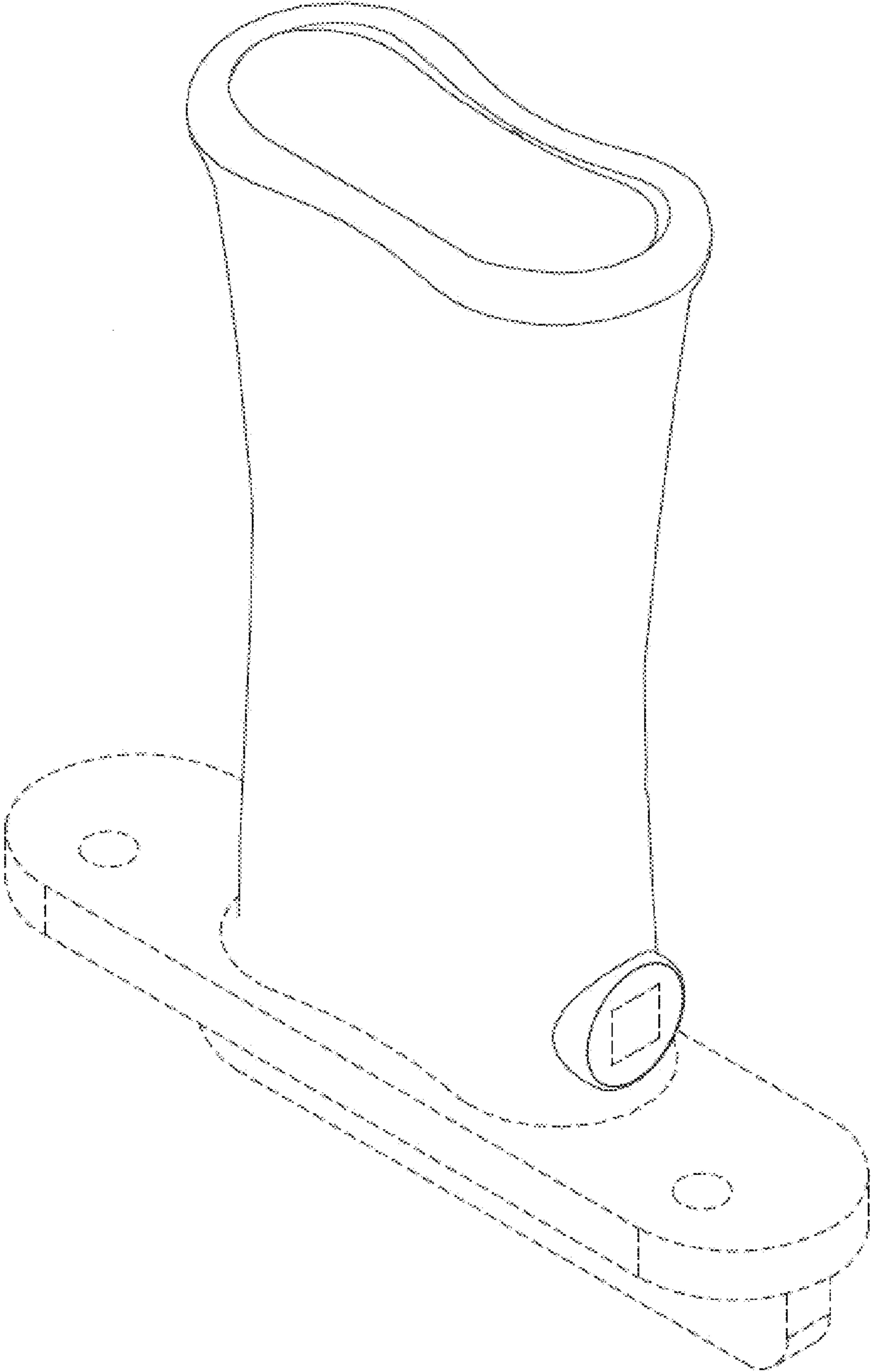


FIG. 2

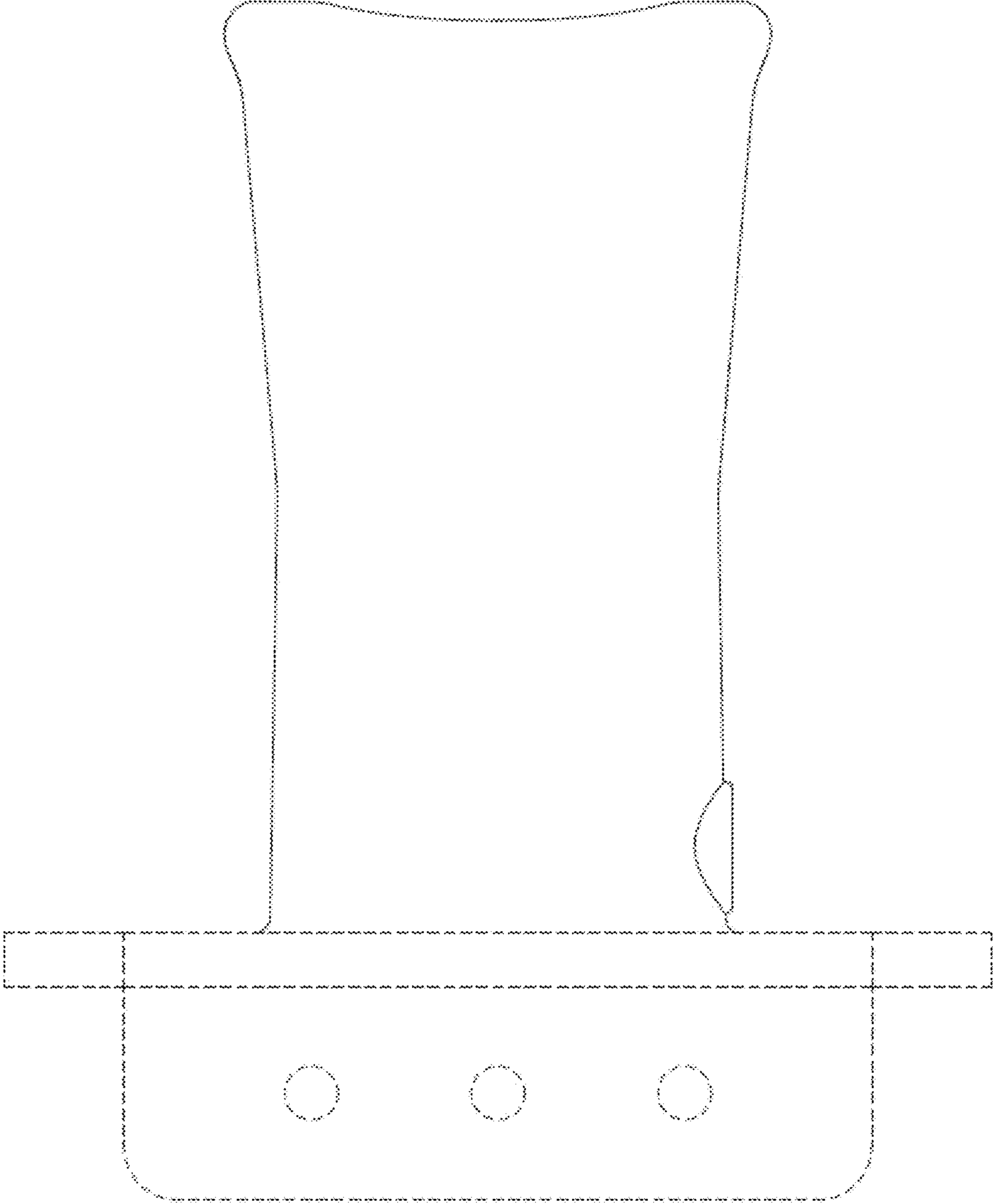


FIG. 3

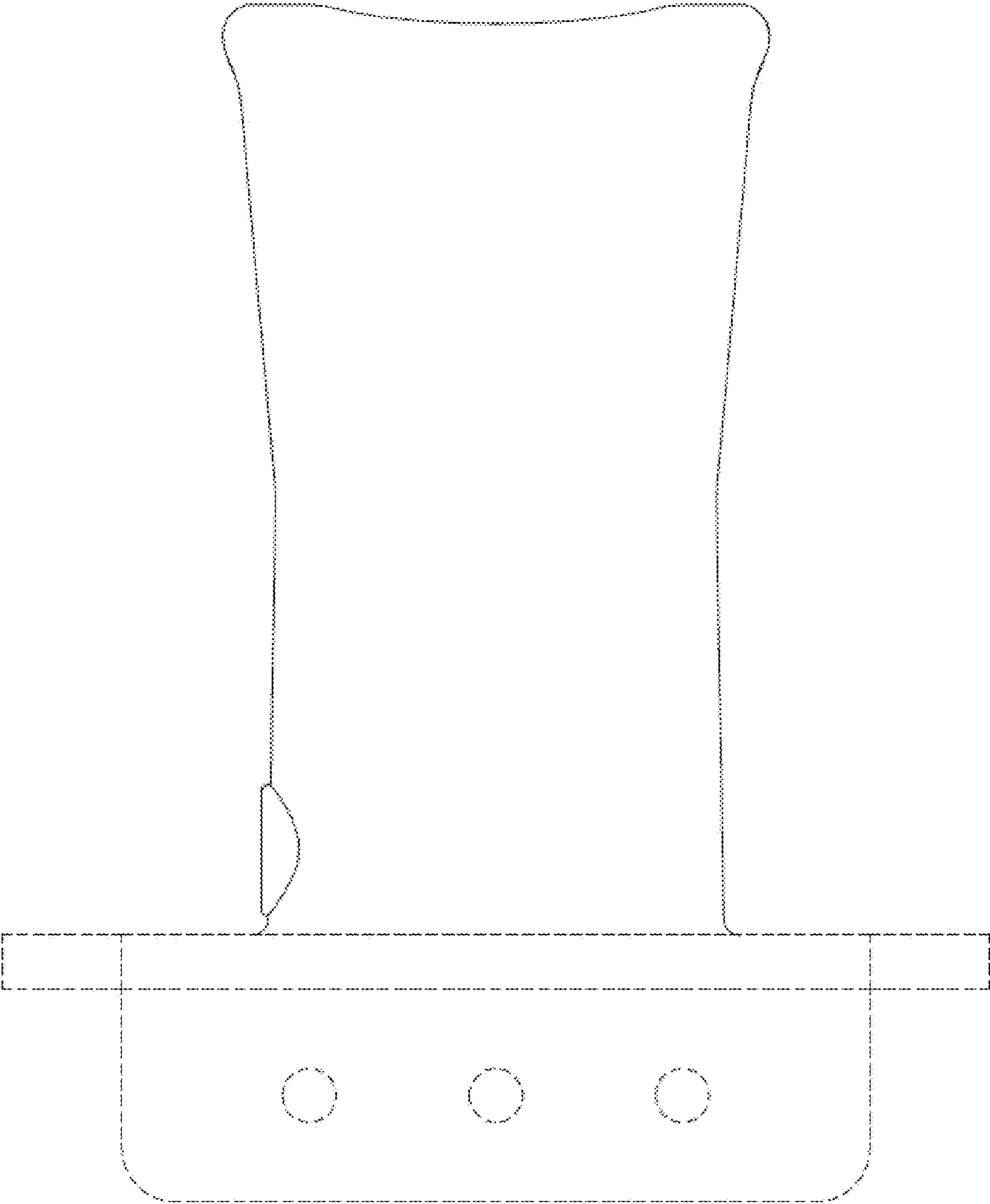


FIG. 4



FIG. 5



FIG. 6

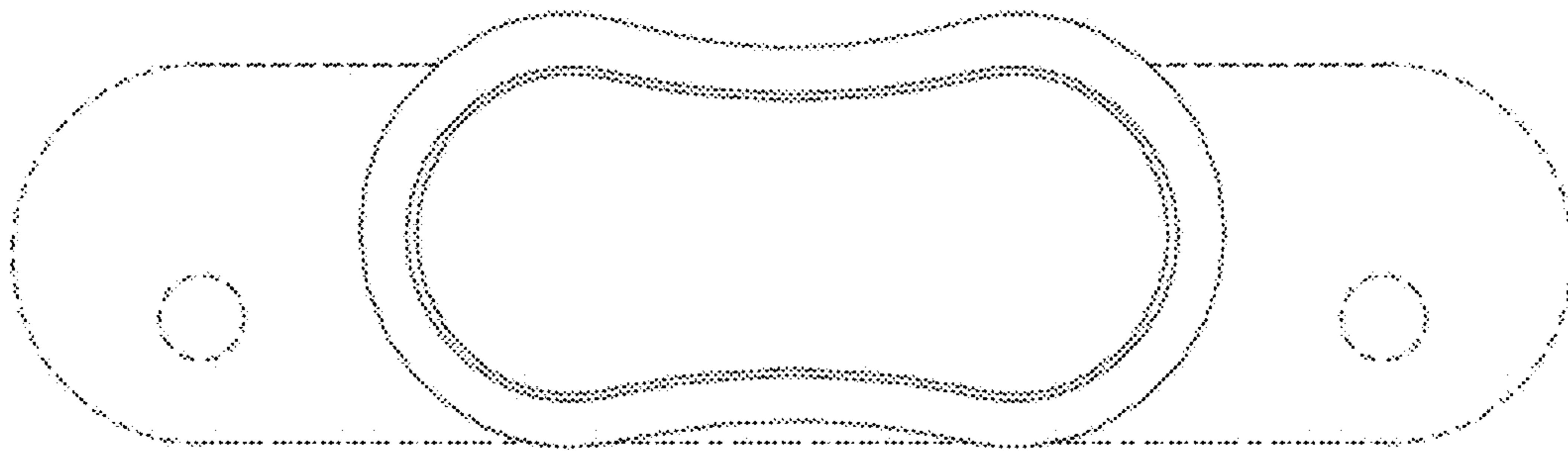


FIG. 7

