



US00D792856S

(12) **United States Design Patent**
Burge

(10) **Patent No.:** **US D792,856 S**

(45) **Date of Patent:** **** Jul. 25, 2017**

(54) **SQUARE COVER FOR RECEIVING FLEXIBLE CONDUIT FROM A GARAGE DOOR SENSOR**

(71) Applicant: **Brian James Burge**, Marion, SD (US)

(72) Inventor: **Brian James Burge**, Marion, SD (US)

(73) Assignee: **Akorba Inc.**, Marion, SD (US)

(**) Term: **15 Years**

(21) Appl. No.: **29/539,034**

(22) Filed: **Sep. 10, 2015**

(51) **LOC (10) Cl.** **13-03**

(52) **U.S. Cl.**
USPC **D13/156**

(58) **Field of Classification Search**
USPC D13/110, 123, 133, 137.1, 139.1, 139.4, D13/152, 154, 155, 156, 158, 162, 164, D13/173, 177, 184; D8/349-351, 353; 174/67, 66; D10/49; 439/147-149, 373, 439/391, 535, 536, 538; 220/241, 242; 361/600, 707, 752; D14/240, 358, 480.5; D26/85
CPC H05K 5/0013; H05K 5/006; H05K 5/0073; H05K 7/1417; H02G 3/14
See application file for complete search history.

(56) **References Cited**

U.S. PATENT DOCUMENTS

847,718	A	3/1907	Ambos	
995,893	A	6/1911	Neitzel	
2,897,533	A	8/1959	Bull et al.	
3,597,526	A *	8/1971	Boatwright	H02G 3/14 174/56
3,729,572	A *	4/1973	Helin	H02G 3/14 174/66
3,749,815	A *	7/1973	Boatwright	H02G 3/14 174/66

3,864,512	A *	2/1975	Meadow	H02G 3/14 174/66
4,027,097	A *	5/1977	Gillemot	H02G 3/12 174/66
4,043,629	A *	8/1977	Brannen	H01R 24/525 439/536
4,451,108	A *	5/1984	Skidmore	H02G 3/126 439/536

(Continued)

OTHER PUBLICATIONS

U.S. Appl. No. 29/539,030, filed Sep. 10, 2015.

(Continued)

Primary Examiner — Derrick Holland

Assistant Examiner — Jennifer O King

(74) *Attorney, Agent, or Firm* — Lathrop & Gage LLP

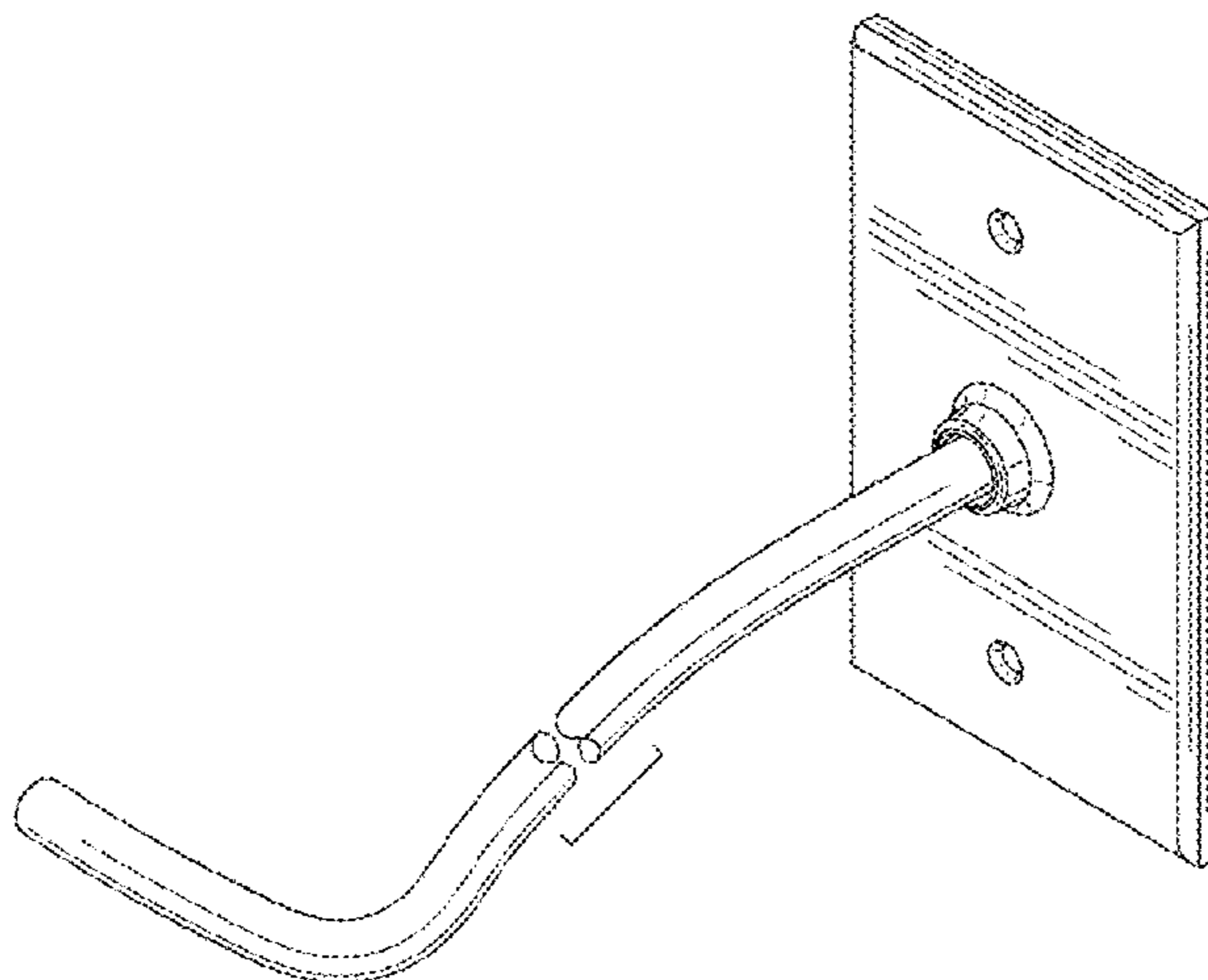
(57) **CLAIM**

The ornamental design for a square cover for receiving a flexible conduit from a garage door sensor.

DESCRIPTION

FIG. 1 is a top, side, front perspective view of a square cover for receiving flexible conduit from a garage door sensor; FIG. 2 is a top, side, rear perspective view thereof; FIG. 3 is a front view thereof; FIG. 4 is a side view thereof, it being understood the other side is a mirror image thereof; FIG. 5 is a top view thereof, it being understood that the bottom is a mirror image thereof; and, FIG. 6 is a perspective view thereof shown in use. The conduit is shown with a symbolic break in its length. The appearance of any portion of the article between the break lines forms no part of the claimed design. The broken lines shown represent unclaimed subject matter and form no part of the claimed design.

1 Claim, 6 Drawing Sheets



(56)

References Cited

U.S. PATENT DOCUMENTS

5,002,502 A * 3/1991 Hill H01R 13/74
 348/E5.128
 6,013,875 A * 1/2000 Fridenberg H02G 3/22
 174/135
 D430,149 S * 8/2000 Afshar-Ghochani D14/146
 6,509,561 B1 1/2003 Scott
 7,112,744 B1 * 9/2006 DeCosta H02G 3/14
 174/135
 7,527,500 B2 * 5/2009 Montena H01R 13/562
 439/534
 D593,842 S 6/2009 Corbin
 8,314,350 B1 11/2012 Gretz
 8,404,973 B1 3/2013 Gretz
 D689,027 S * 9/2013 Waggoner D13/151

OTHER PUBLICATIONS

U.S. Appl. No. 29/539,027, filed Sep. 10, 2015.
 U.S. Appl. No. 29/539,031, filed Sep. 10, 2015.
 Midlite PLI Flange, 4 pages, website midlite.com/products.aspx?catId=774, accessed Nov. 26, 2013.

Midlite Splitport Plate, 4 pages, website midlite.com/products.aspx?catId=764, accessed Nov. 26, 2013.
 Midlite Wireport Plate, 9 pages, website midlite.com/products.aspx?catId=765, accessed Nov. 26, 2013.
 Midlite Article re Wireport Plate, 3 pages, website http://www.cepro.com/article/midlites_wireport_plate_terminates_termination_problems/K1, accessed Nov. 26, 2013.
 Leviton IG Wall Plates, 5 pages, website http://www.leviton.com/OA_HTML/SectionDisplay.jsp?section=42944&minisite=10251&itemsPerPage=All, accessed Nov. 26, 2013.
 CableSock Wall Plate, 5 pages, website <http://www.amazon.com/PowerBridge-PBCS-BK-BK-CableSock-Low-Voltage/dp/B003CJTQ6K>, accessed Nov. 26, 2013.
 Powerbridge CableSock Wall Plate, 3 pages, website <http://www.wiredathome.com/powerbridge-pbcs-wh-wh-cables-sock-wall-plate-for-low-voltage-bulk-wire-cable-dressing-white/>, accessed Nov. 26, 2013.
 Keystone ShowMe Cables, 1 page, website <http://www.showmecables.com/product/IC107BN2GY.aspx>, accessed Nov. 26, 2013.
 Keystone Style Wall Plate, 7 pages, website <http://www.amazon.com/Icarus-Keystone-Style-Wall-Plate/dp/B0047ZFHBG/>, accessed Nov. 26, 2013.

* cited by examiner

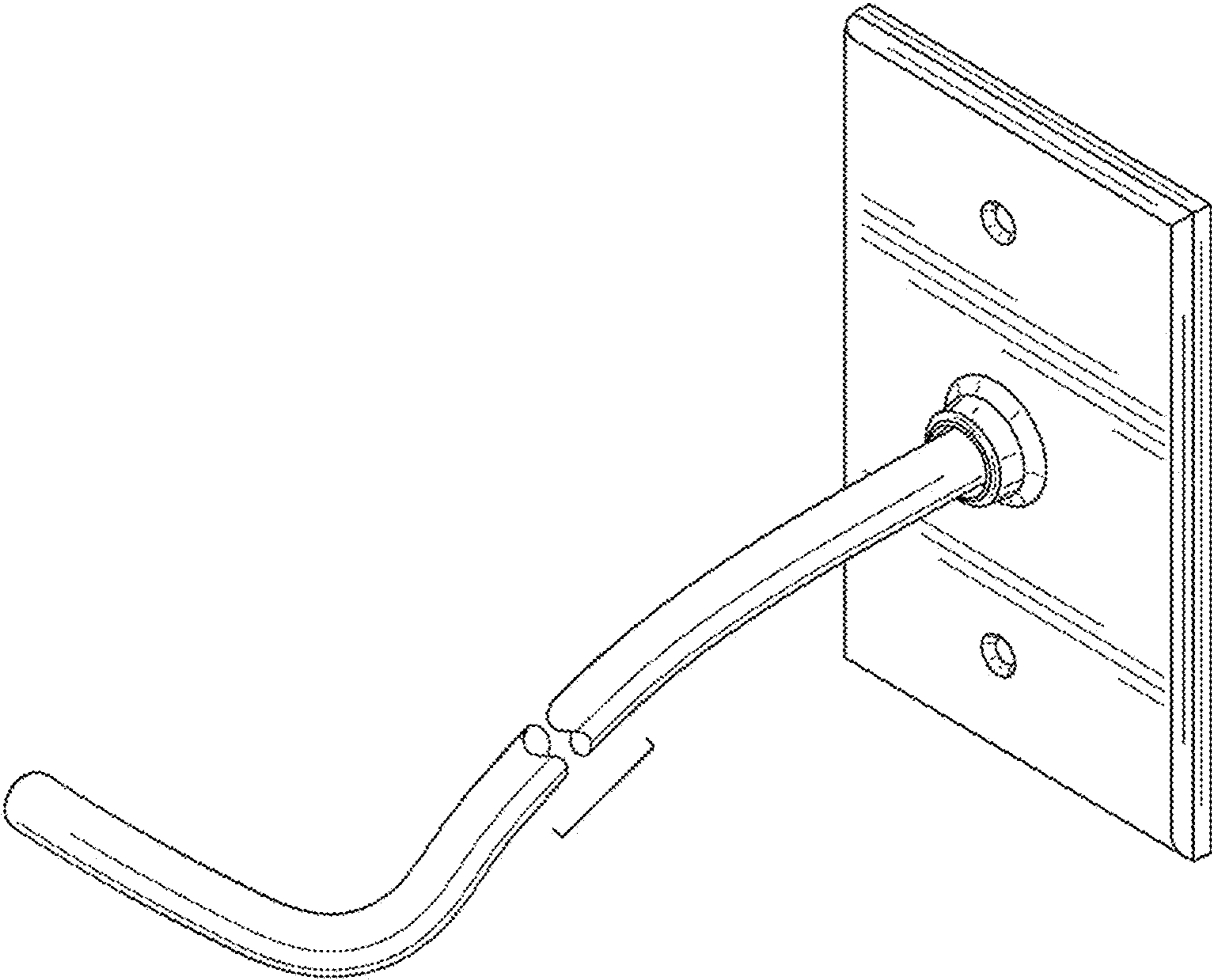


FIG. 1

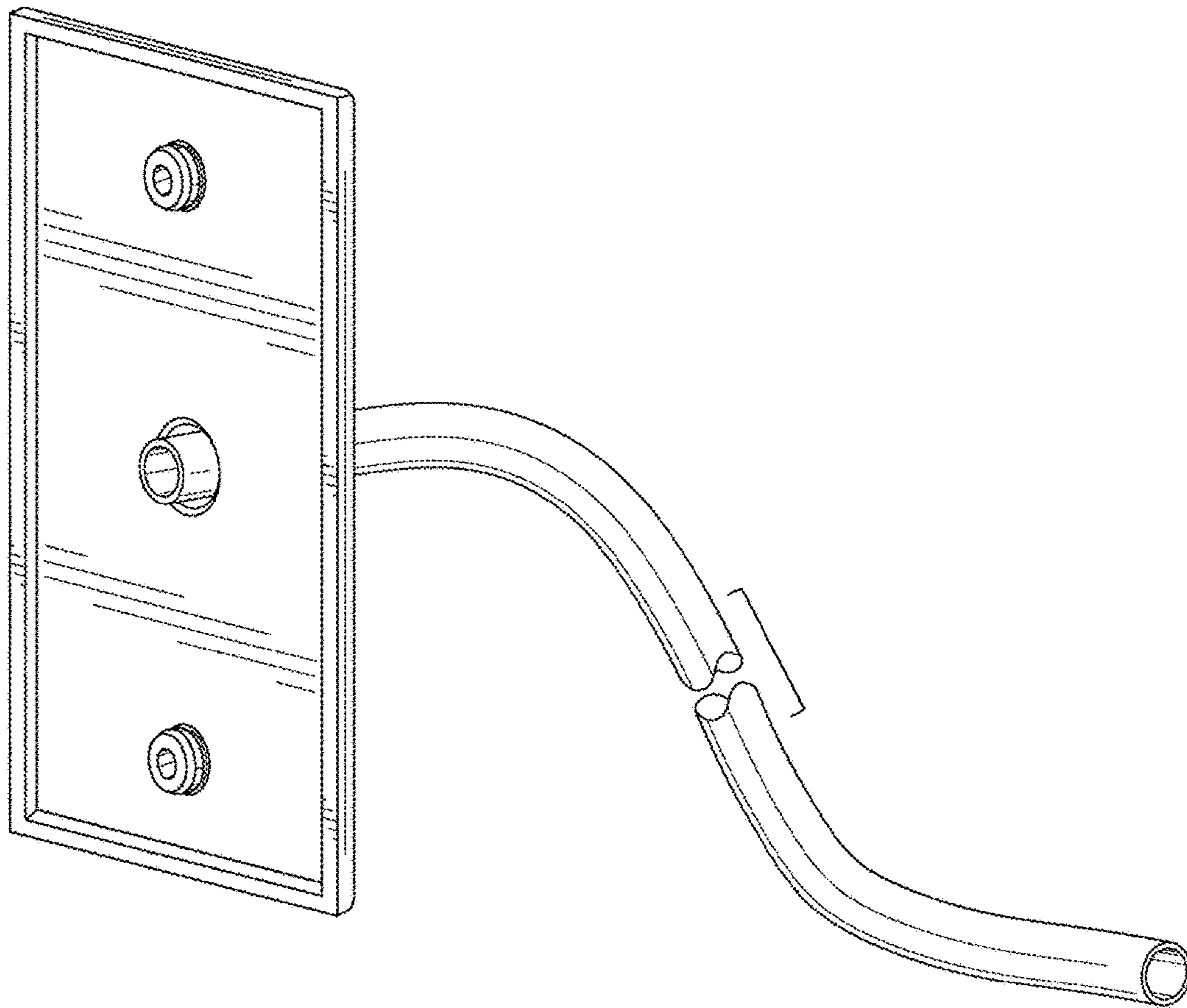


FIG. 2

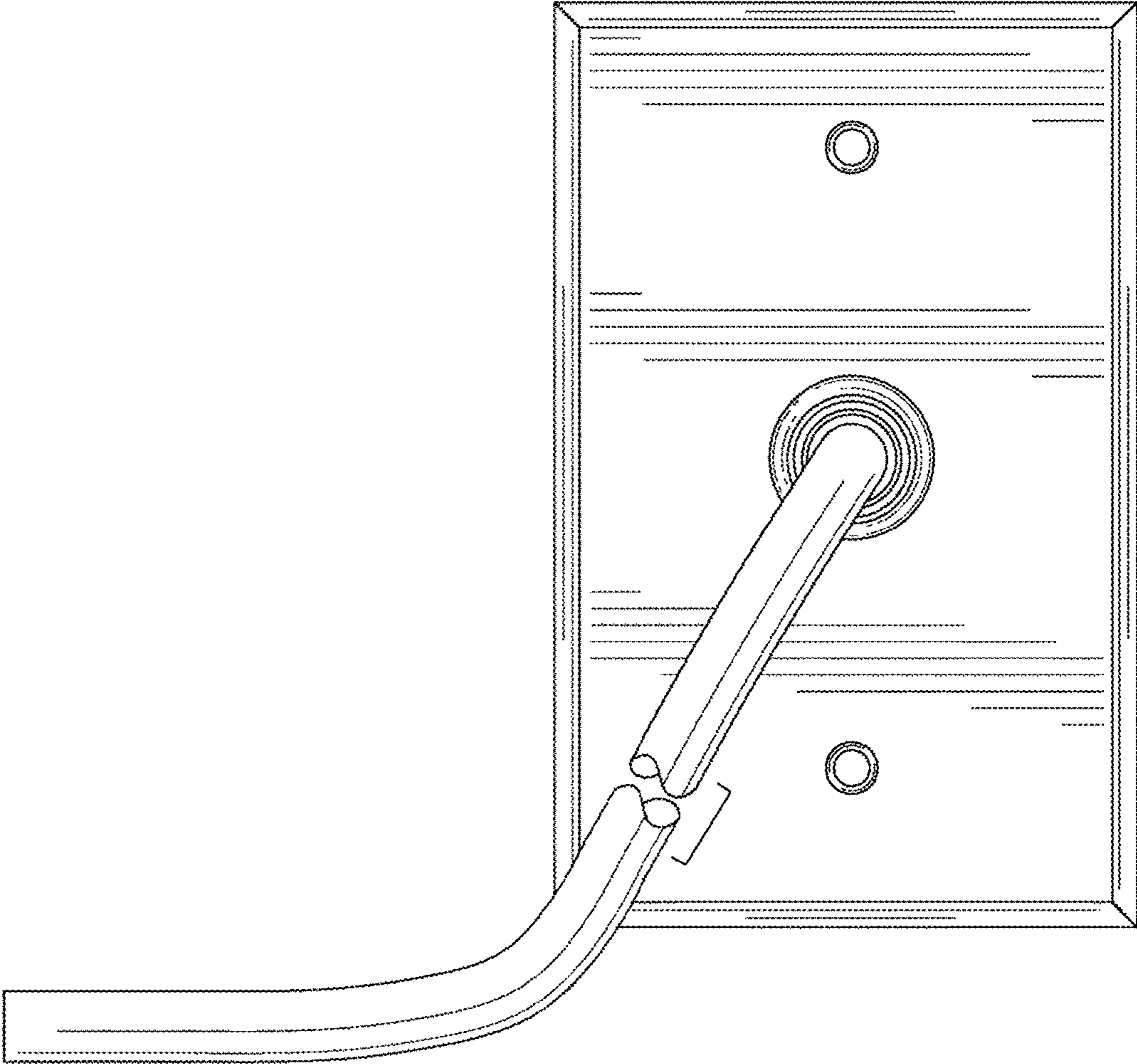


FIG. 3

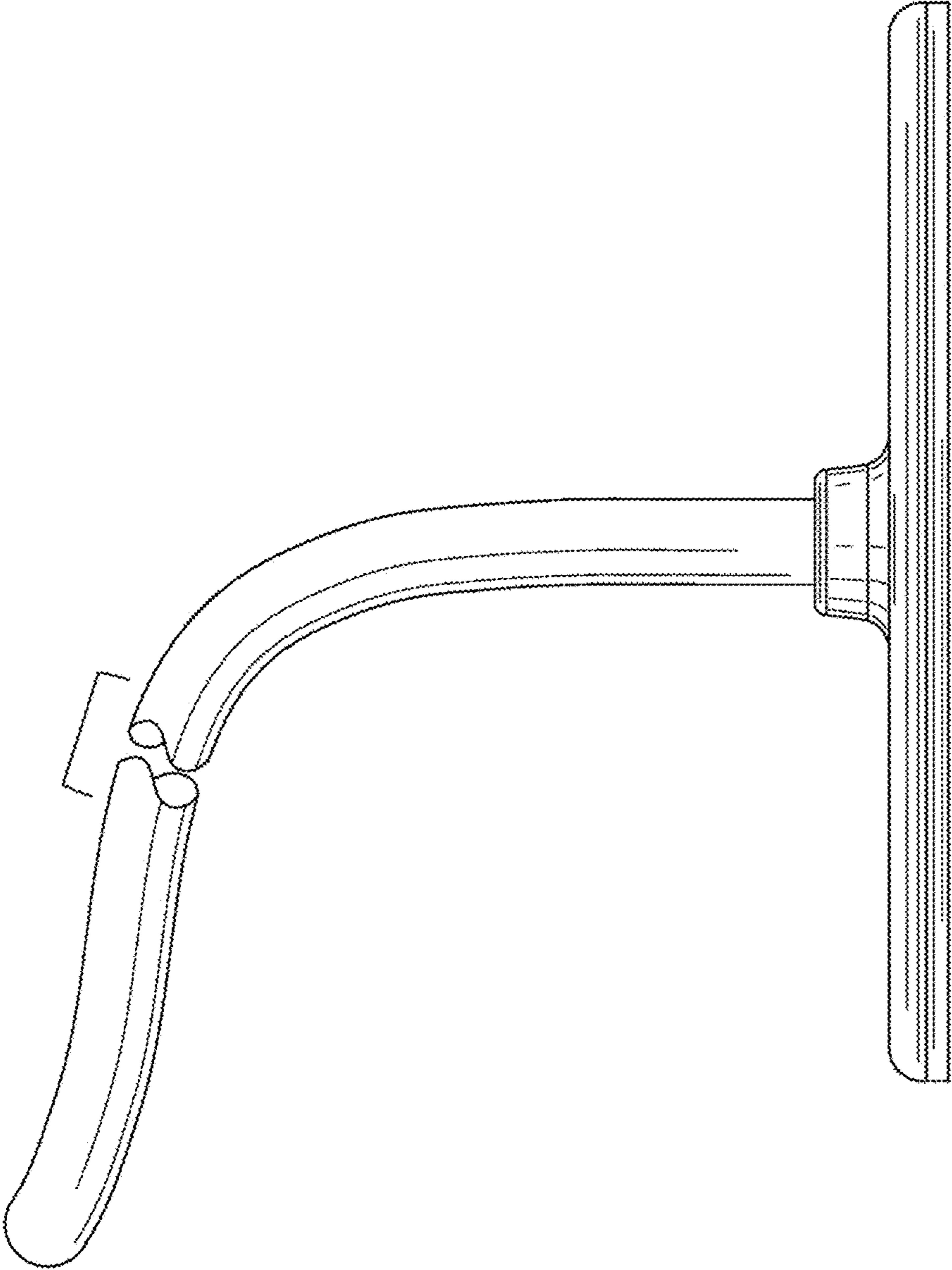


FIG. 4

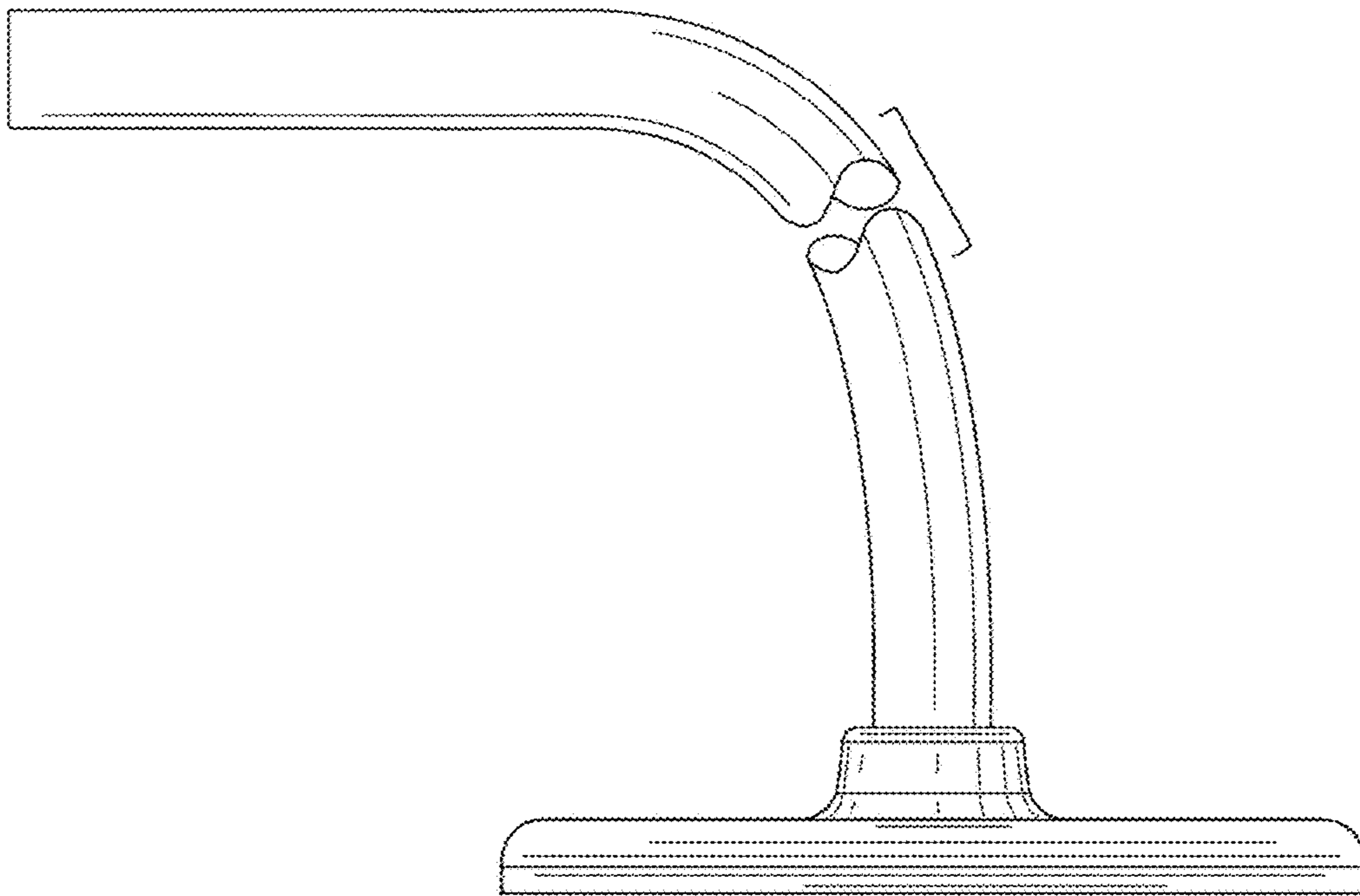


FIG. 5

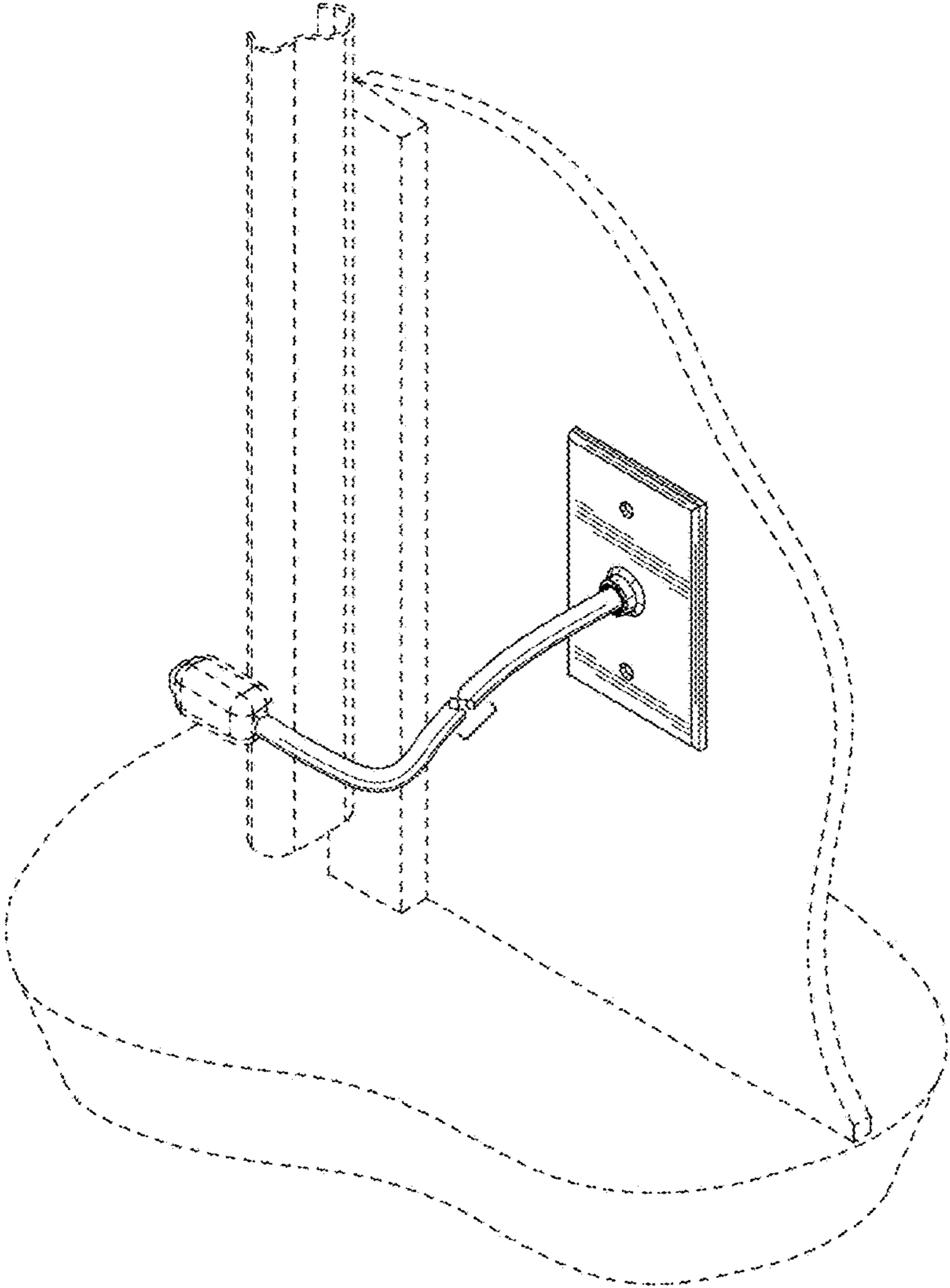


FIG. 6