



US00D792855S

(12) **United States Design Patent**
Smith

(10) **Patent No.:** **US D792,855 S**
(45) **Date of Patent:** **** Jul. 25, 2017**

- (54) **ELECTRICAL FITTING FOR NON-METALLIC ELECTRICAL CABLE**
- (71) Applicant: **Bridgeport Fittings, Inc.**, Stratford, CT (US)
- (72) Inventor: **Lawrence J. Smith**, Stamford, CT (US)
- (73) Assignee: **BRIDGEPORT FITTINGS, INC.**, Stratford, CT (US)
- (**) Term: **15 Years**
- (21) Appl. No.: **29/581,911**
- (22) Filed: **Oct. 24, 2016**

Related U.S. Application Data

- (62) Division of application No. 29/523,154, filed on Apr. 7, 2015, now Pat. No. Des. 775,590.
- (51) **LOC (10) Cl.** **13-03**
- (52) **U.S. Cl.**
USPC **D13/147**
- (58) **Field of Classification Search**
USPC D13/133, 146, 147, 154, 184, 199
(Continued)

(56) **References Cited**

U.S. PATENT DOCUMENTS

- 3,306,638 A 2/1967 Rubin
 - 4,169,572 A 10/1979 Simon
- (Continued)

FOREIGN PATENT DOCUMENTS

- AU 2002219381 B2 9/2002
- CN 203241572 U 10/2013
- DE 3605063 C1 10/1987

OTHER PUBLICATIONS

PVC Non-Metallic (NM) Cable Connector; printed from Home/Electrical Fittings/Cable & Cord Connectors/PVC Non-Metallic (NM) Cable Connector; product listing (prior to Apr. 7, 2015).

(Continued)

Primary Examiner — Daniel Bui

(74) *Attorney, Agent, or Firm* — Ware, Fressola, Maguire & Barber LLP

(57) **CLAIM**

The ornamental design for an electrical fitting for non-metallic electrical cable, as shown and described.

DESCRIPTION

FIG. 1 is a top, front and right side exploded perspective view of an electrical fitting for non-metallic electrical cable, which consists of a cable securing device portion attaches to a main body portion, showing my new design;

FIG. 2 is a top, front and right side perspective view thereof, in an assembled condition;

FIG. 3 is a top plan view thereof;

FIG. 4 is a left side elevation view thereof;

FIG. 5 is a bottom plan view thereof;

FIG. 6 is a rear perspective view thereof;

FIG. 7 is a right side elevation view thereof;

FIG. 8 is a rear elevation view thereof;

FIG. 9 is a front elevation view thereof;

FIG. 10 is a top plan view thereof, in use condition.

FIG. 11 is a front perspective view of a cable securing device portion forming part of the electrical fitting;

FIG. 12 is a rear perspective view thereof;

FIG. 13 is a rear elevation view thereof;

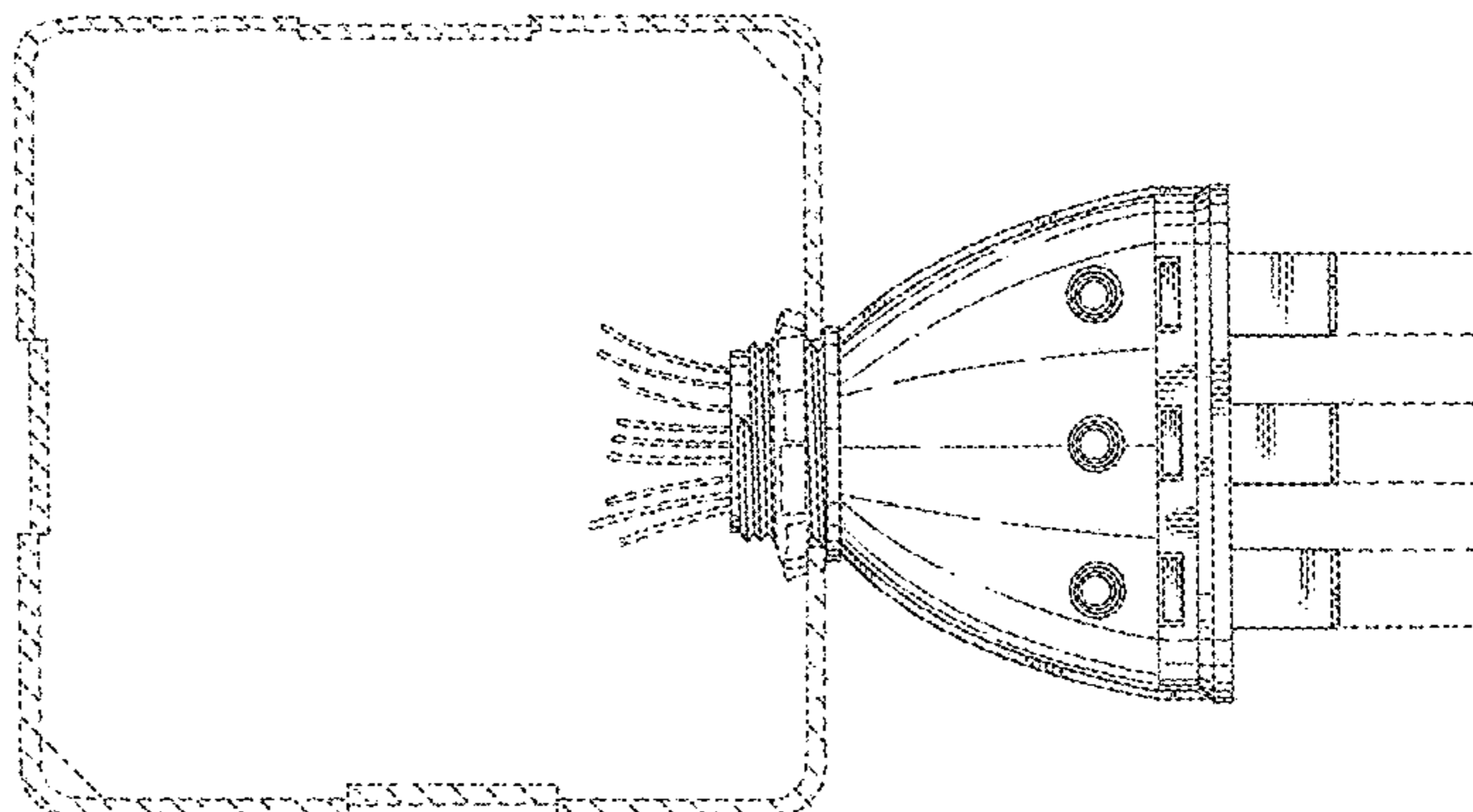
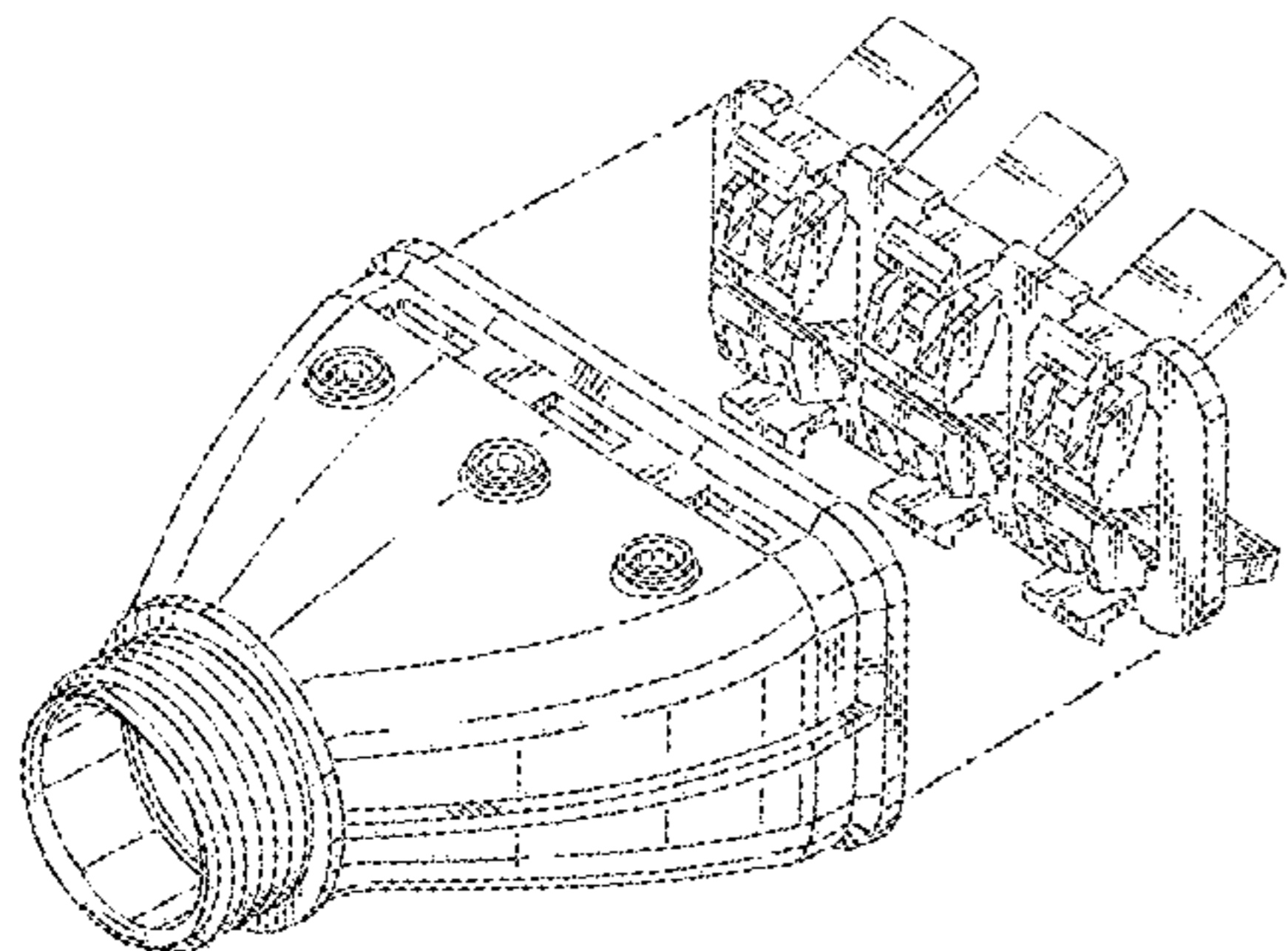
FIG. 14 is a front elevation view thereof;

FIG. 15 is a right side elevation view thereof, the left side elevation view being a mirror image thereof; and,

FIG. 16 is a top plan view thereof, the bottom view being a mirror image thereof.

The broken line in the figure drawing views is included for the purpose of illustrating unclaimed environment and forms no part of the claimed design.

1 Claim, 8 Drawing Sheets



(58) **Field of Classification Search**
 CPC H01R 4/48; H01R 4/64; H01R 13/44;
 H02G 3/04; H02G 3/06; H02G 3/18;
 H02G 3/22
 See application file for complete search history.

7,723,623	B2	5/2010	Kiely et al.
7,820,922	B2	10/2010	Auray et al.
D636,346	S	4/2011	Svelnis
7,952,034	B2	5/2011	Kiely et al.
D639,250	S	6/2011	Svelnis
D643,371	S	8/2011	Svelnis
8,119,933	B2	2/2012	Auray et al.
8,124,891	B1	2/2012	Gretz
8,253,043	B1	8/2012	Kiely
D679,662	S	4/2013	Svelnis
8,487,196	B1	7/2013	Baldwin et al.
D699,195	S	2/2014	Smith
8,857,039	B2	10/2014	Sathyanarayana et al.
D729,169	S	5/2015	Corona
D755,728	S	5/2016	Smith
D775,590	S *	1/2017	Smith D13/147
2010/0084854	A1	4/2010	Sathyanarayana et al.
2013/0157491	A1	6/2013	Chavan et al.

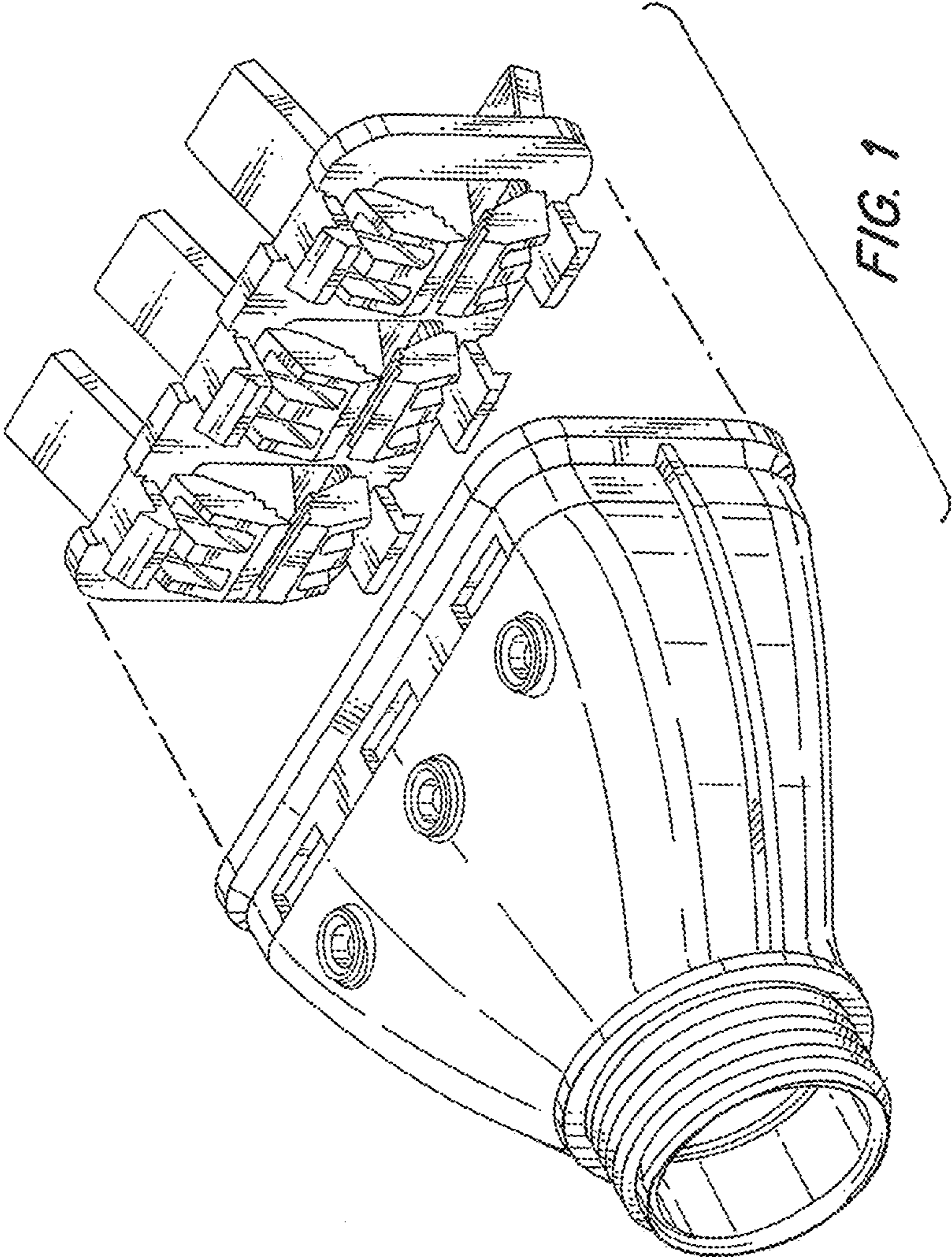
(56) **References Cited**
 U.S. PATENT DOCUMENTS

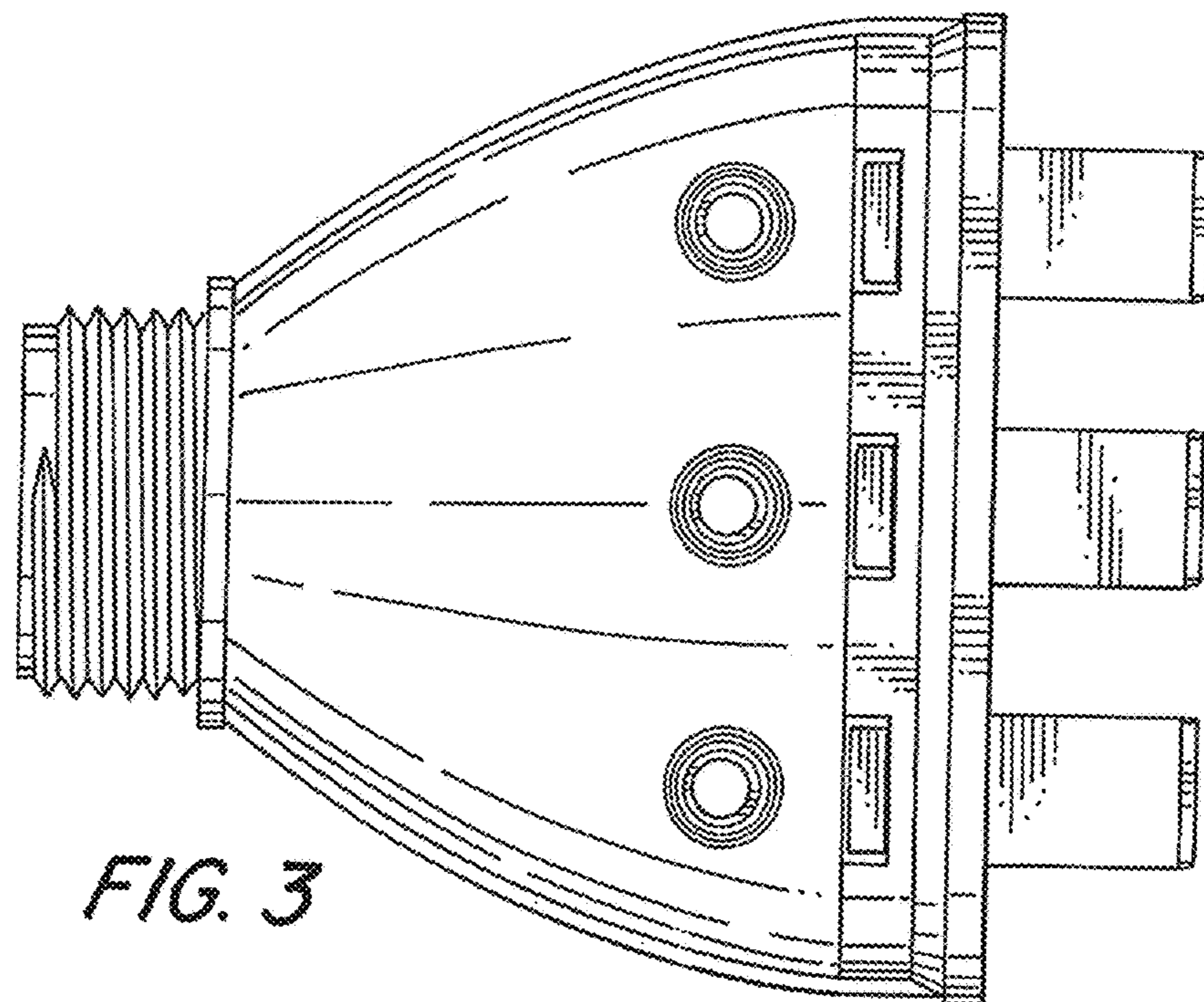
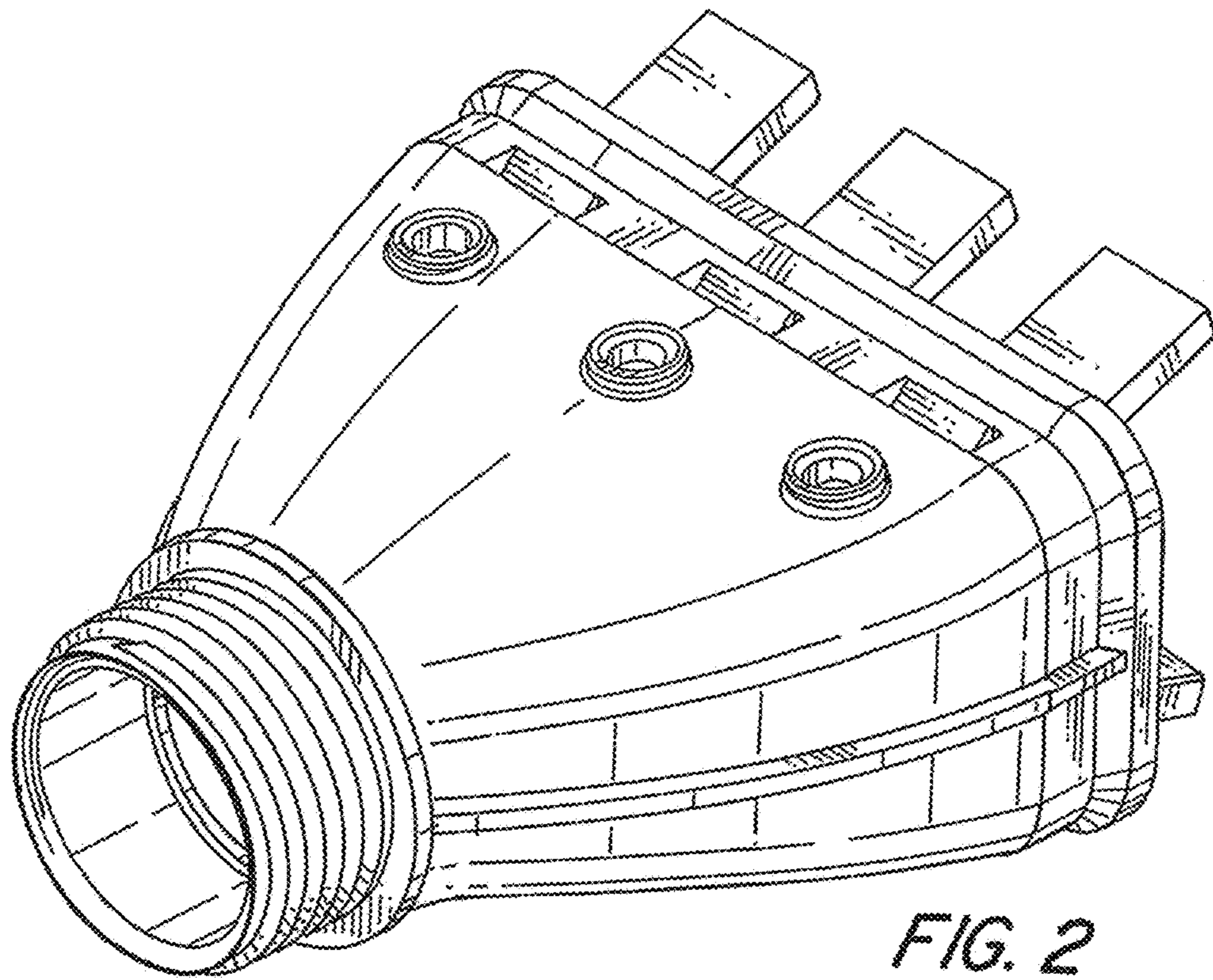
5,374,017	A	12/1994	Martin et al.
5,799,984	A	9/1998	Reynolds, Jr.
5,912,431	A	6/1999	Sheehan
6,352,439	B1	3/2002	Stark et al.
6,916,988	B1	7/2005	Auray et al.
7,005,581	B2	2/2006	Burnette
7,057,107	B2	6/2006	Auray et al.
7,064,272	B2	6/2006	Auray et al.
7,075,007	B2	7/2006	Auray et al.
7,078,623	B1	7/2006	Sheehan
7,151,223	B2	12/2006	Auray et al.
7,154,042	B2	12/2006	Auray et al.
7,205,489	B2	4/2007	Auray et al.
7,211,744	B2	5/2007	Jorgensen
7,304,251	B1	12/2007	Gretz
7,358,448	B2	4/2008	Auray et al.
7,488,905	B2	2/2009	Kiely et al.
7,615,714	B2	11/2009	Pyron et al.

OTHER PUBLICATIONS

New Products: Duplex Connector, Cable Pulling Grips & More; Whipper Snap design (Bridgeport Fittings); Electrical Construction and Maintenance; Jun. 22, 2012.
 Wire Connector Set; <http://www.seedstudio.com/depot/>; product page (prior to Apr. 7, 2015).

* cited by examiner





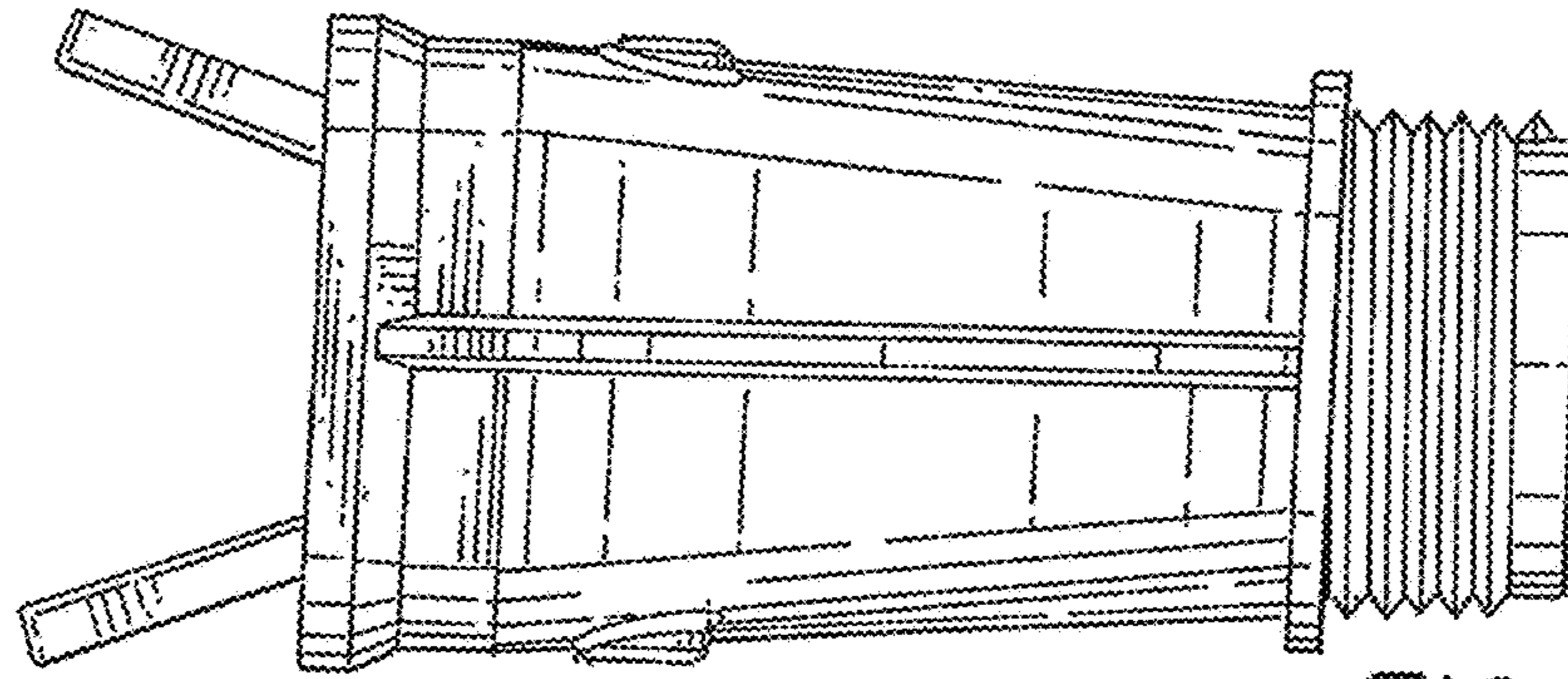


FIG. 4

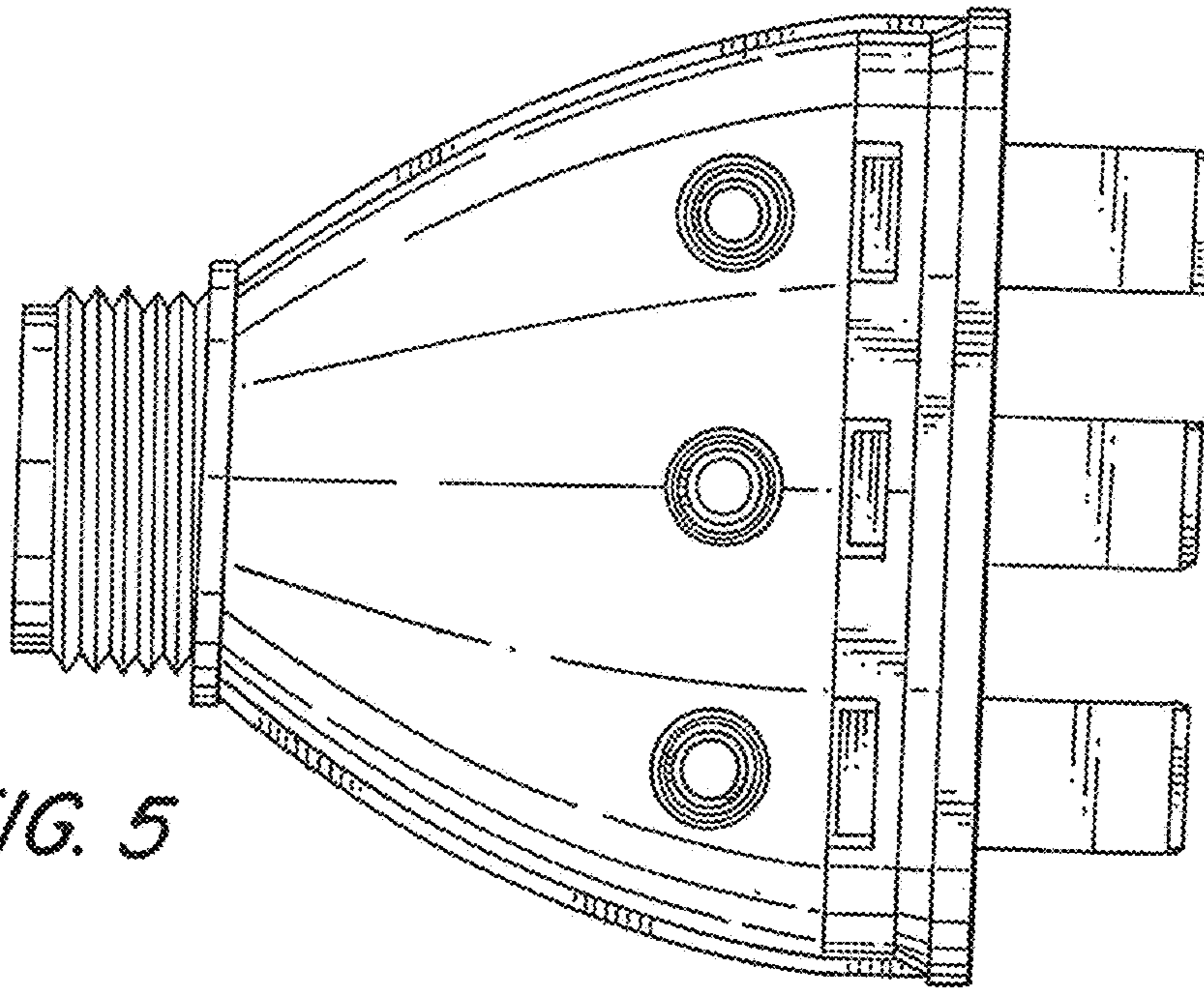


FIG. 5

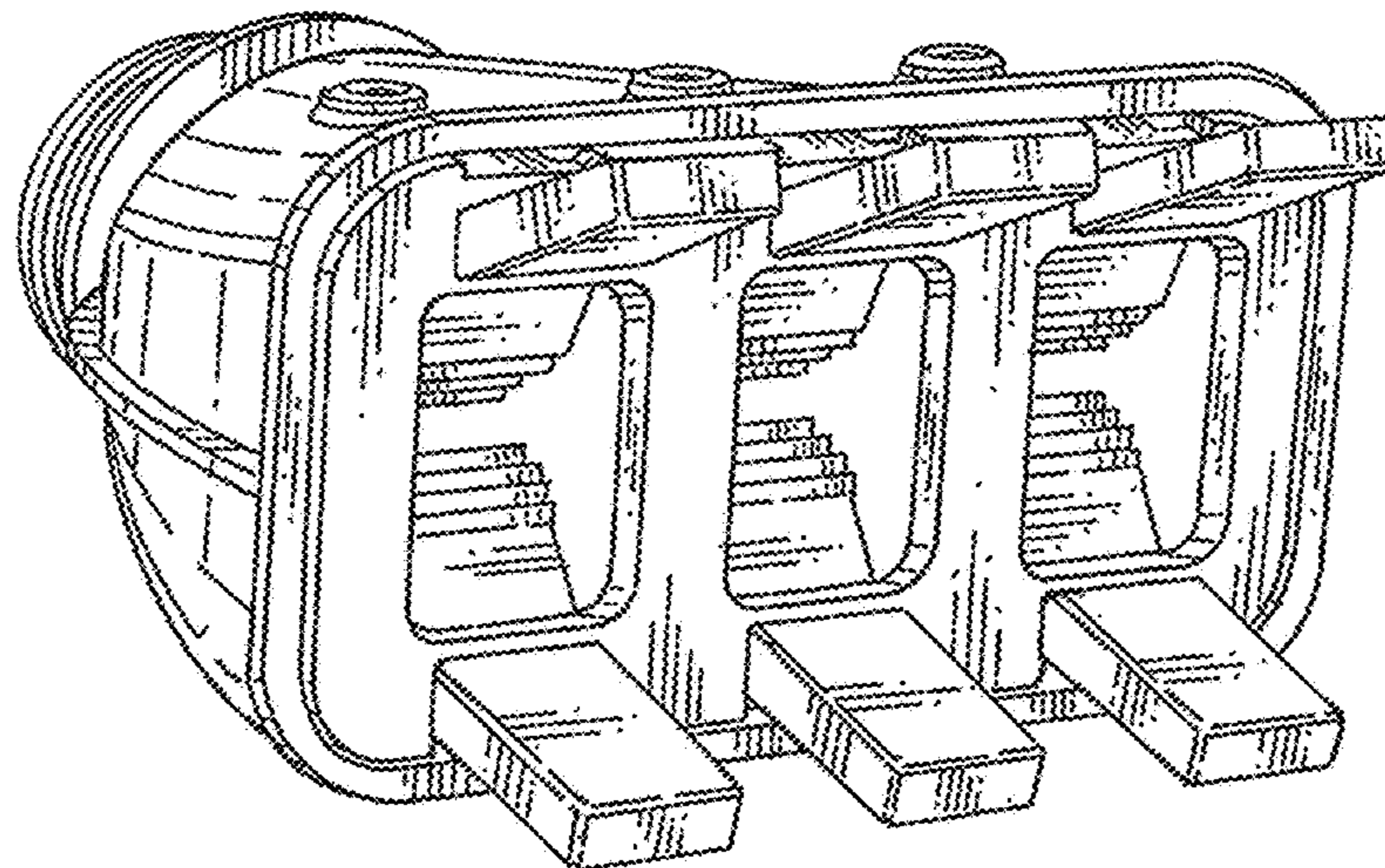


FIG. 6

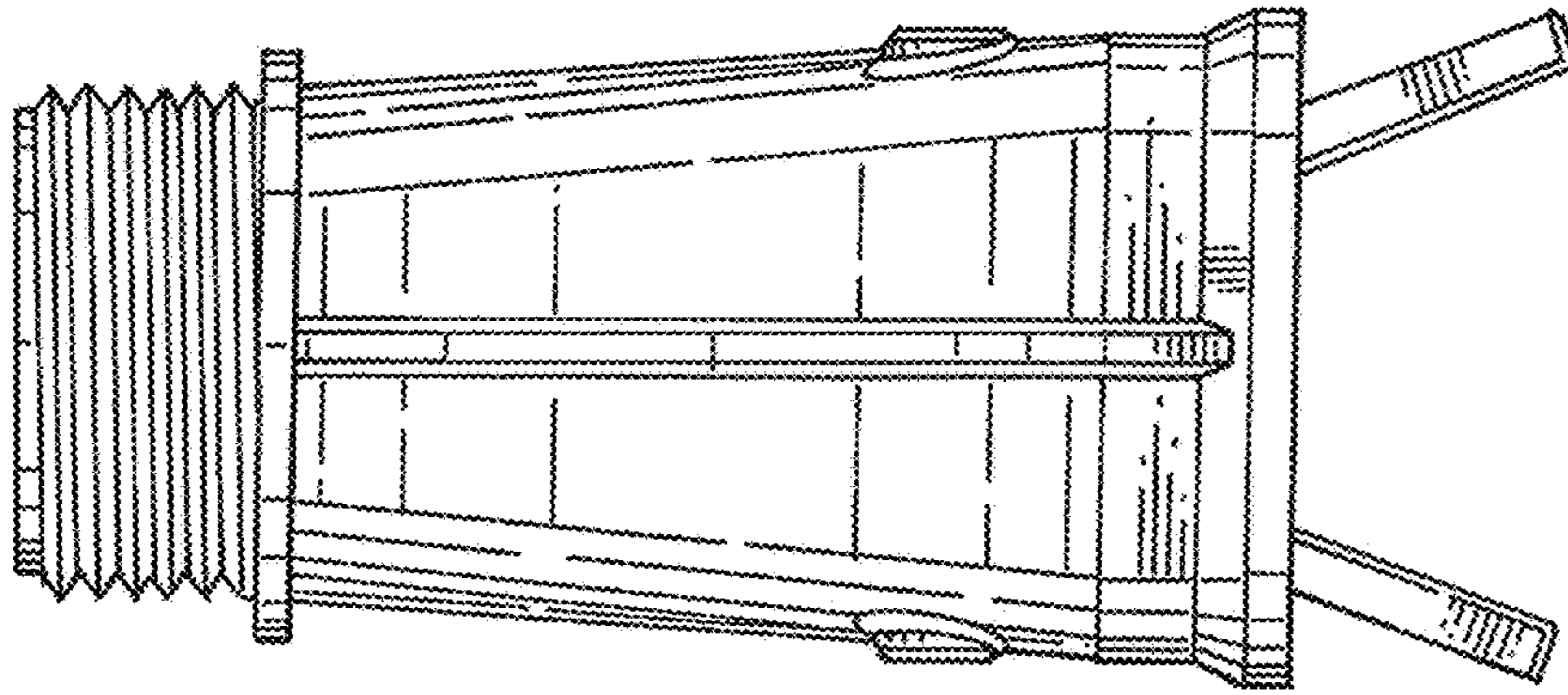


FIG. 7

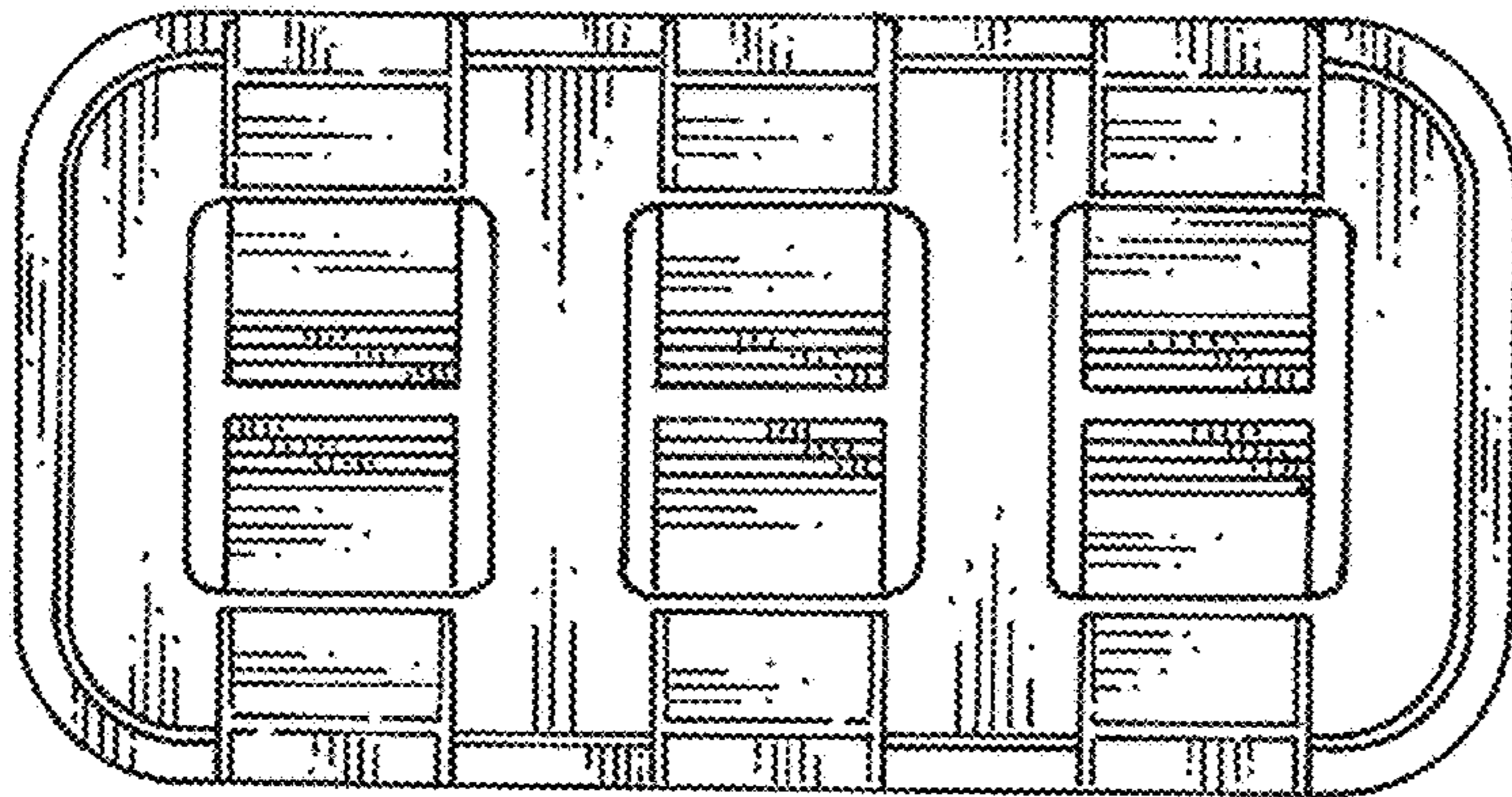


FIG. 8

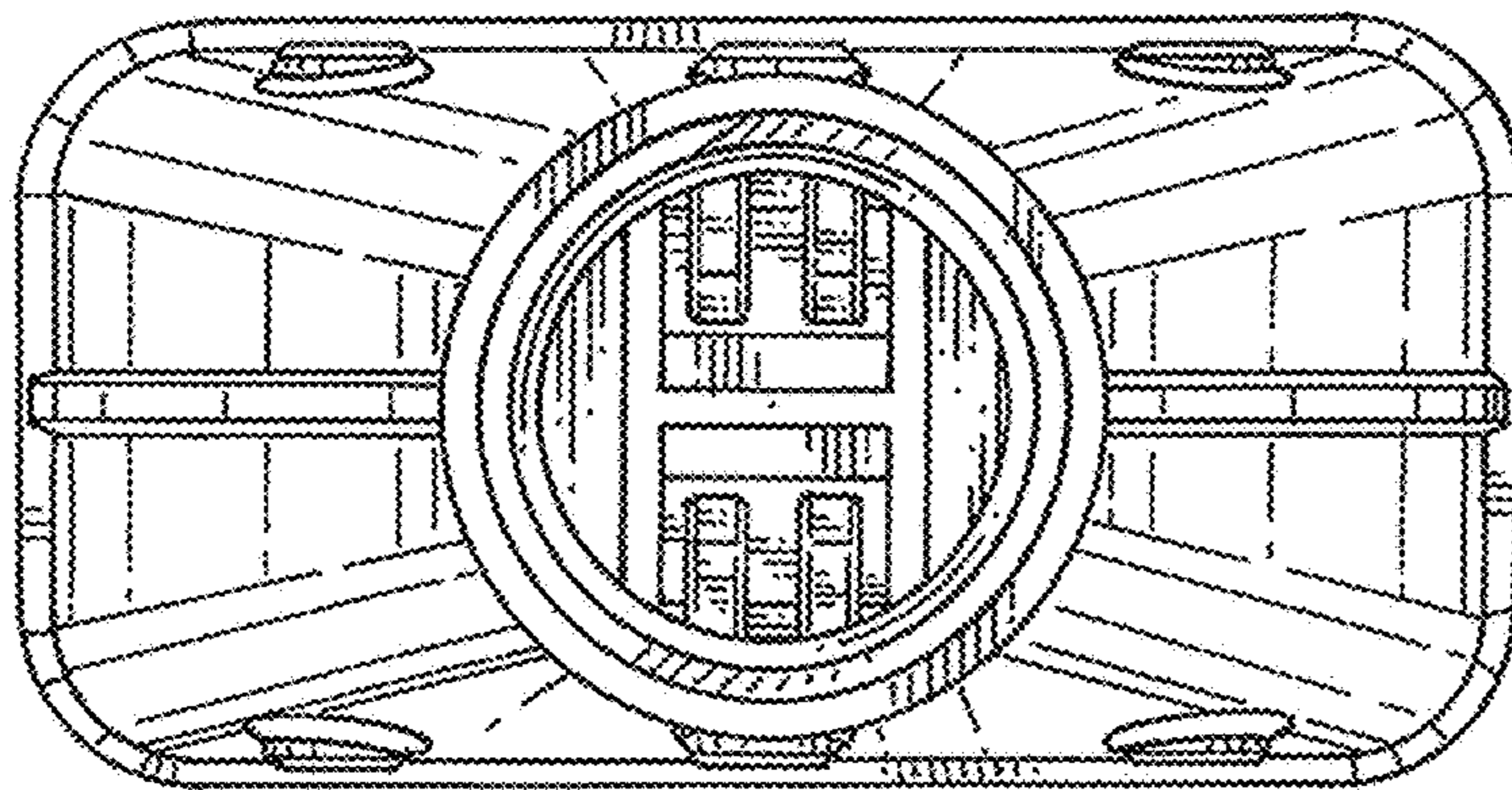


FIG. 9

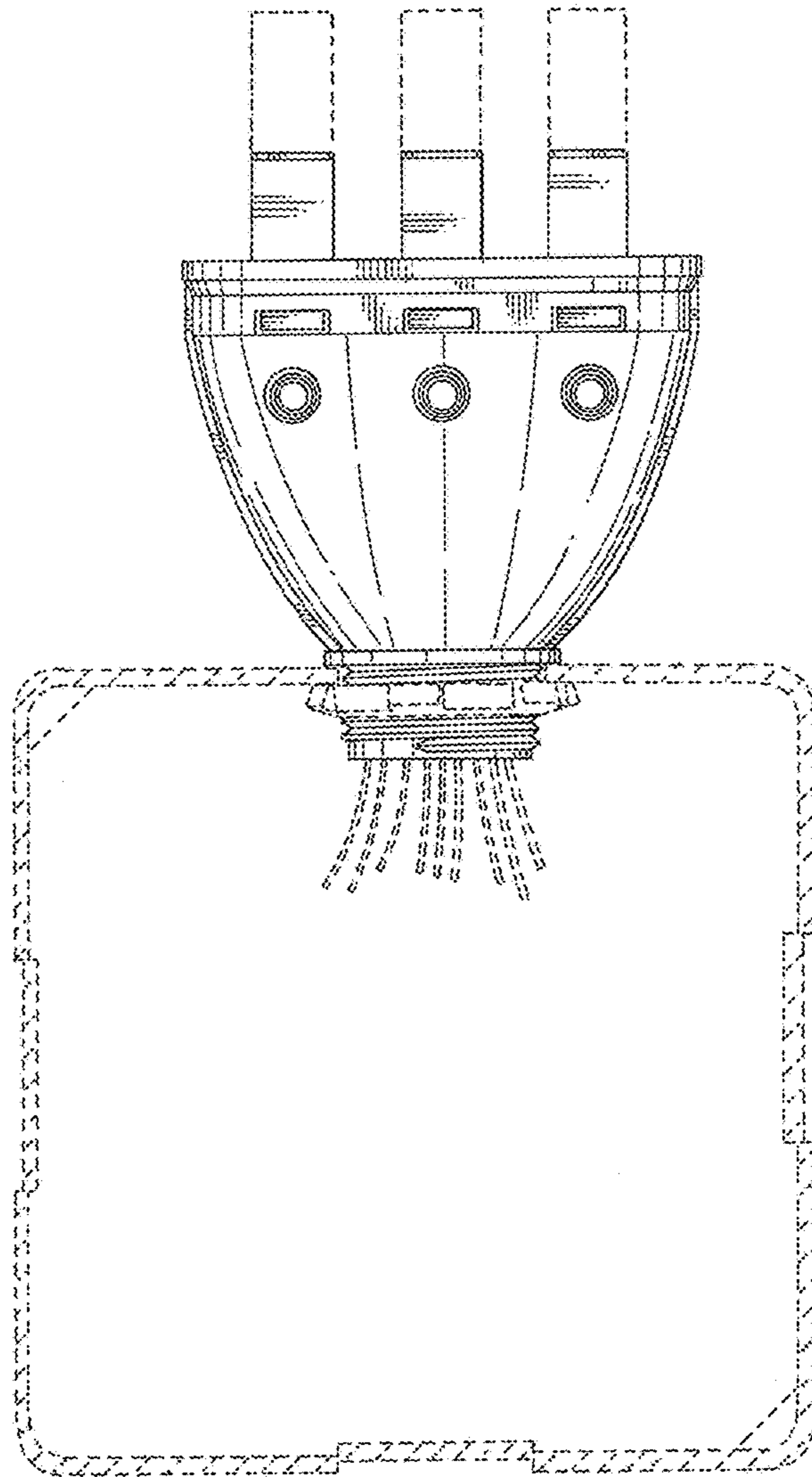


FIG. 10

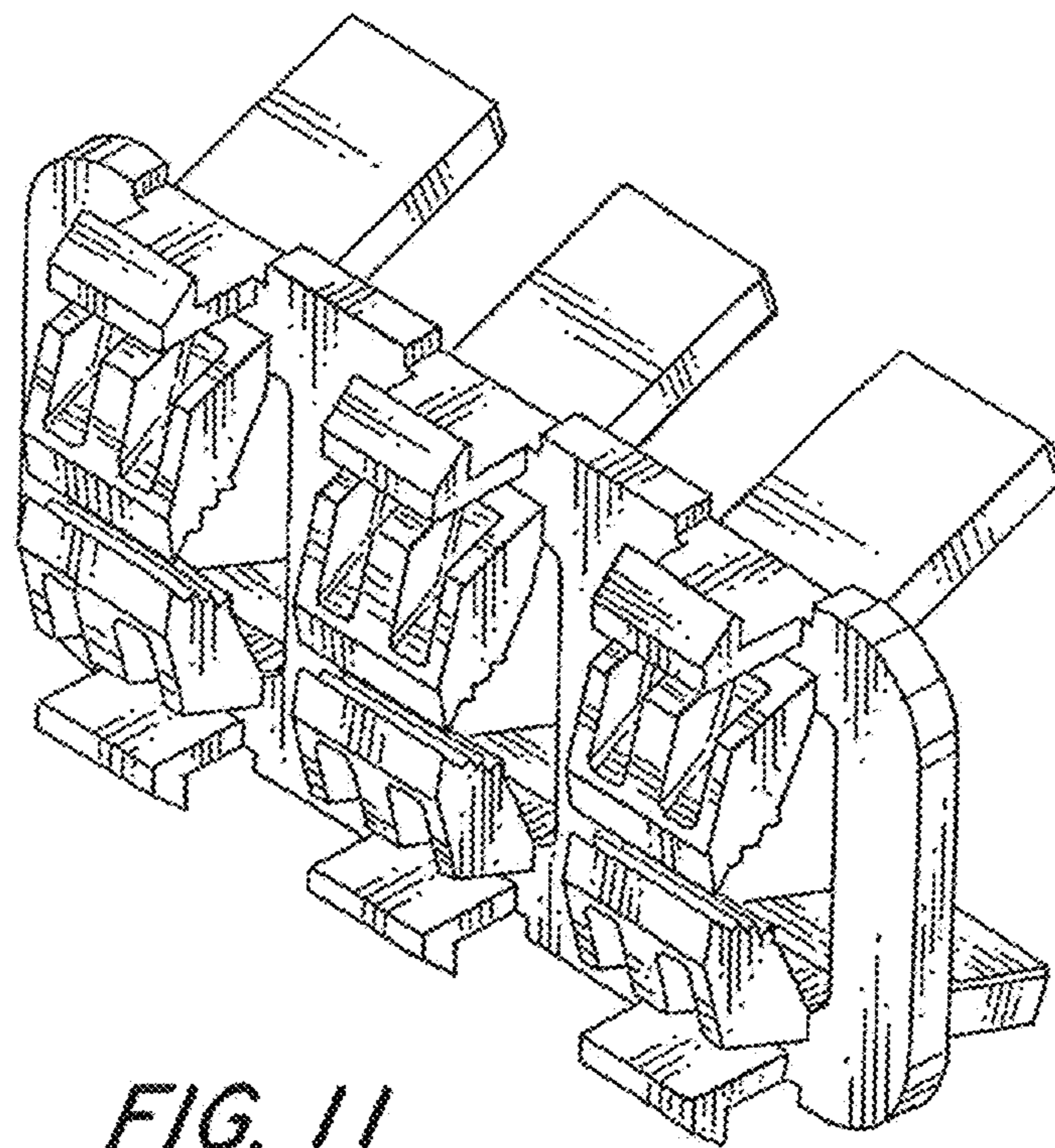


FIG. 11

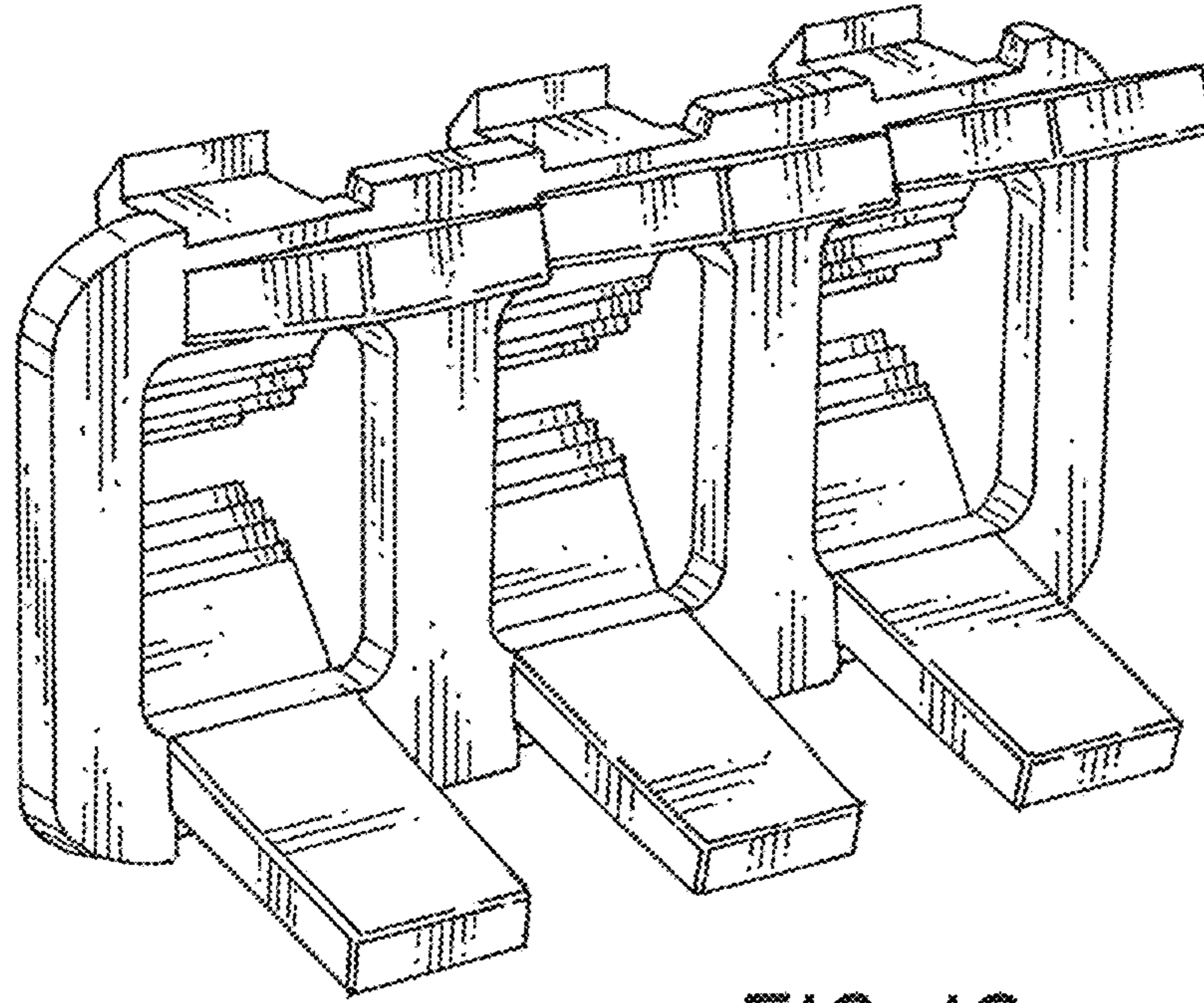


FIG. 12

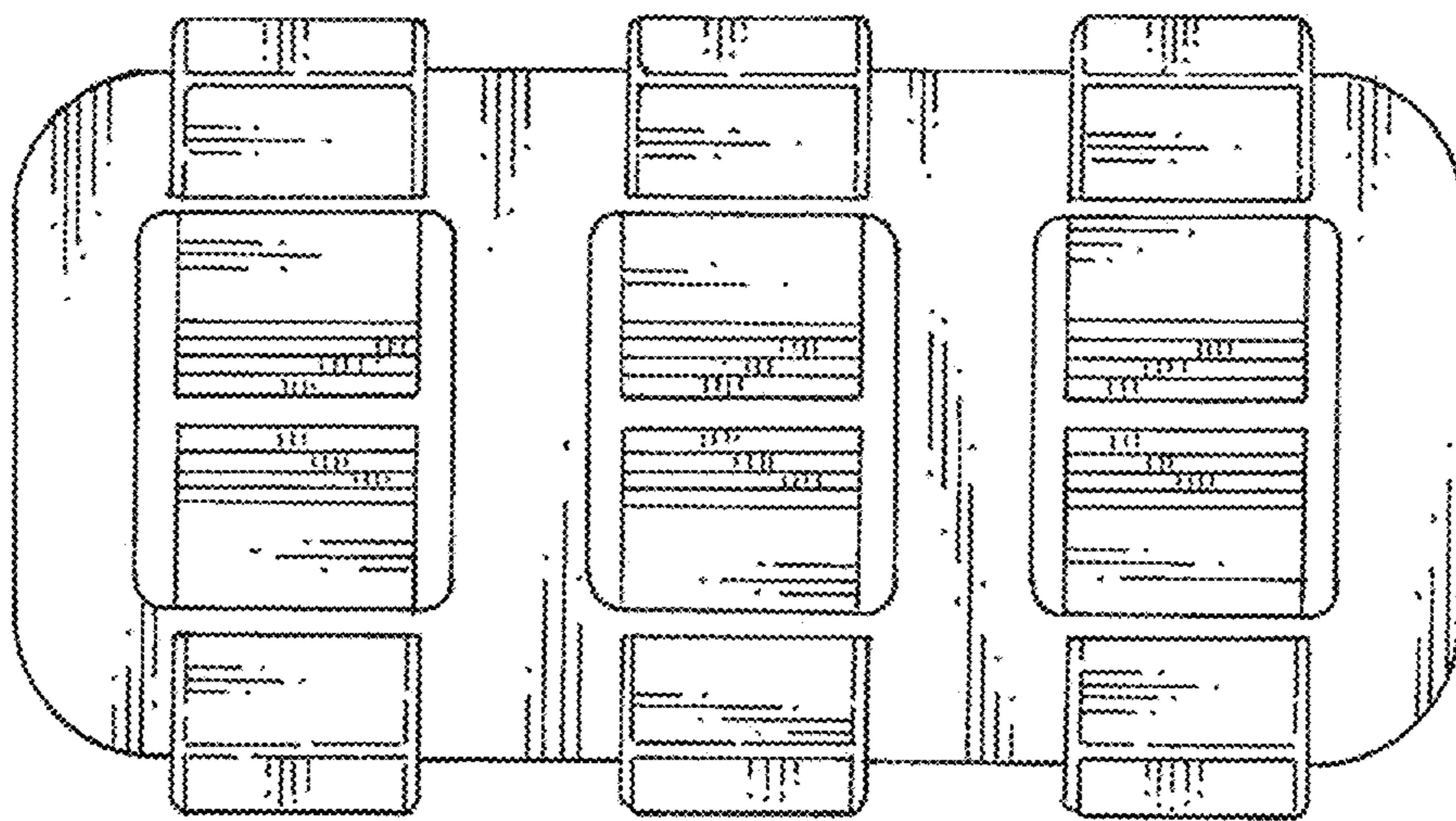


FIG. 13

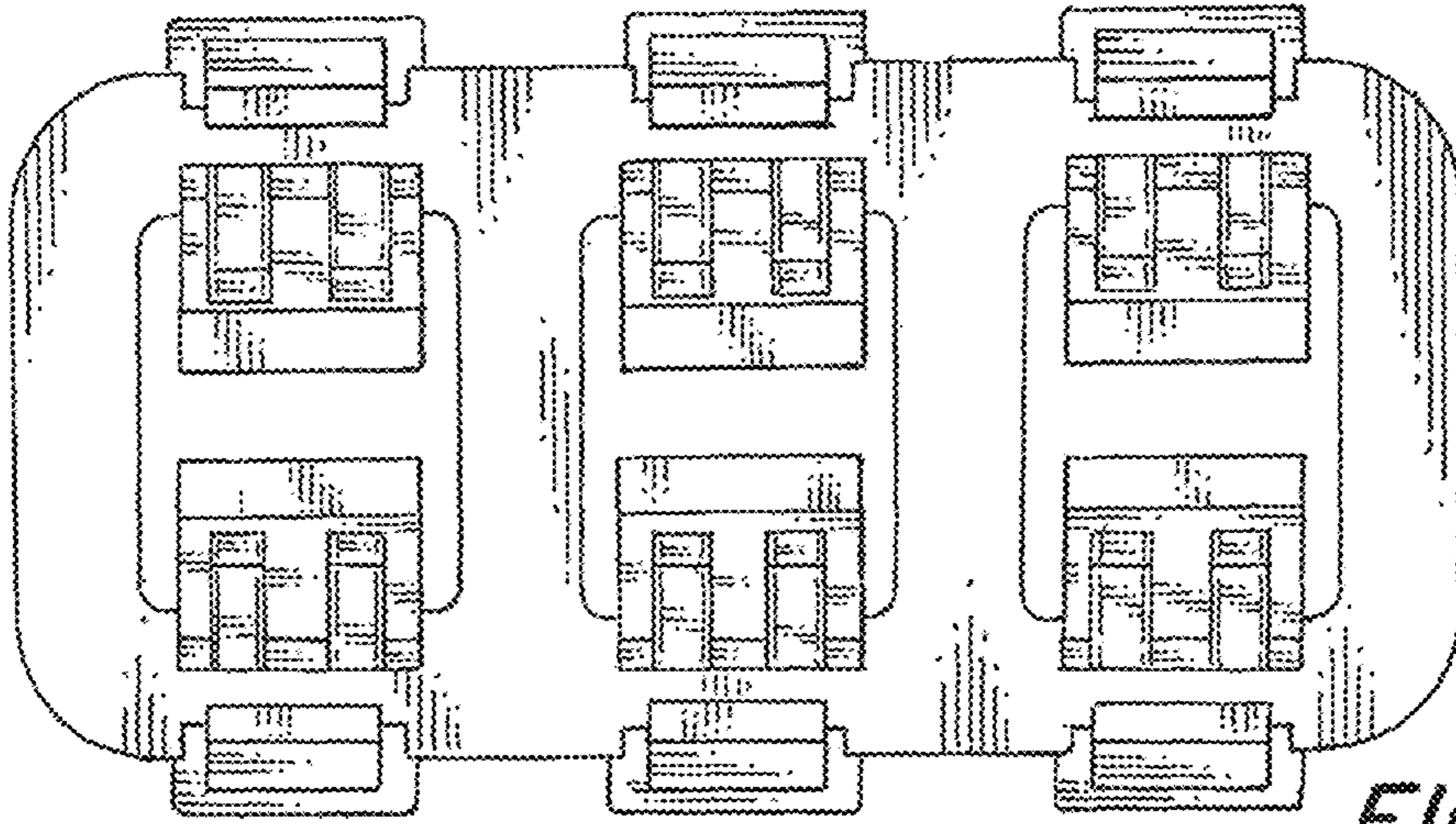


FIG. 14

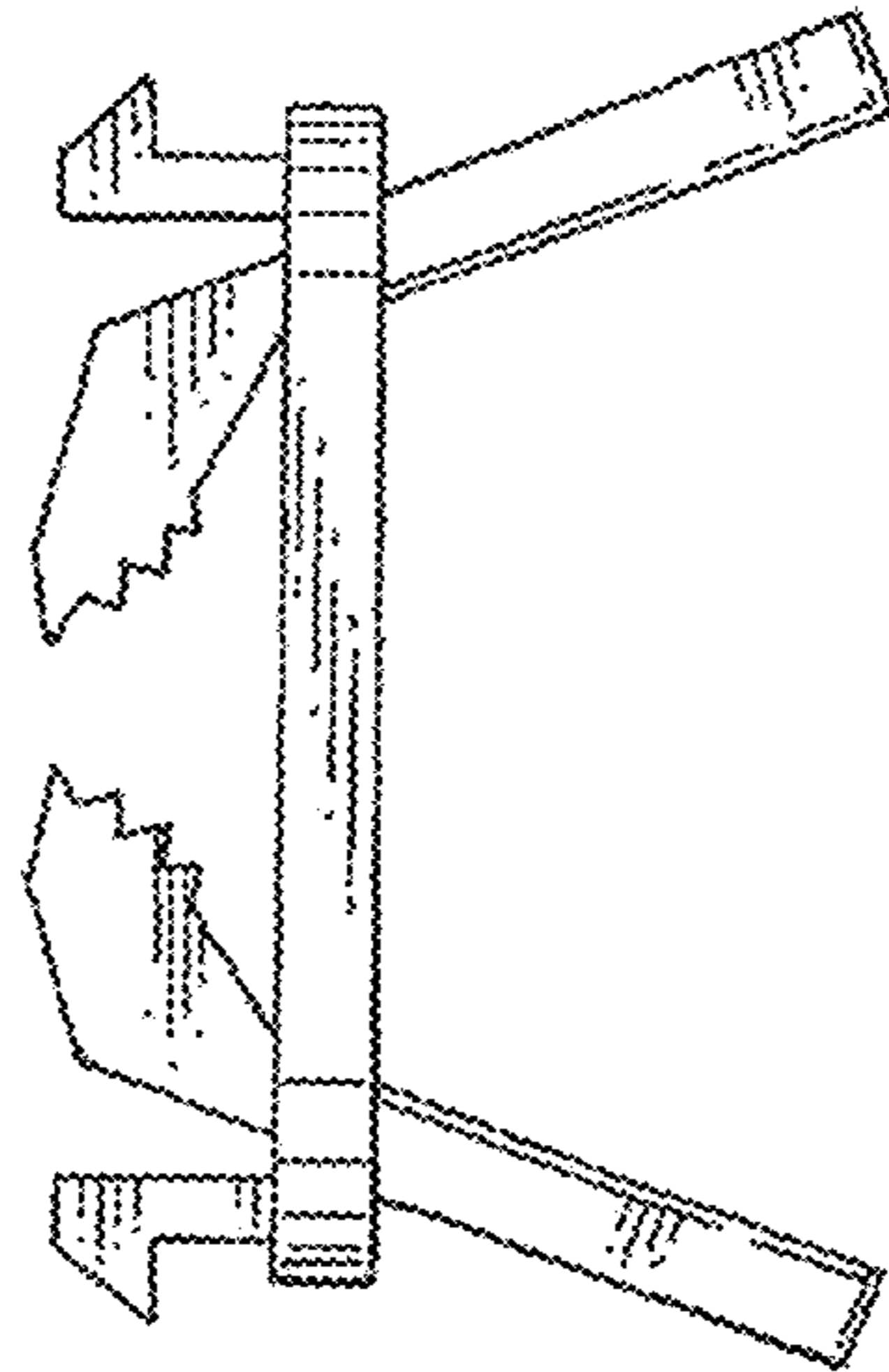


FIG. 15

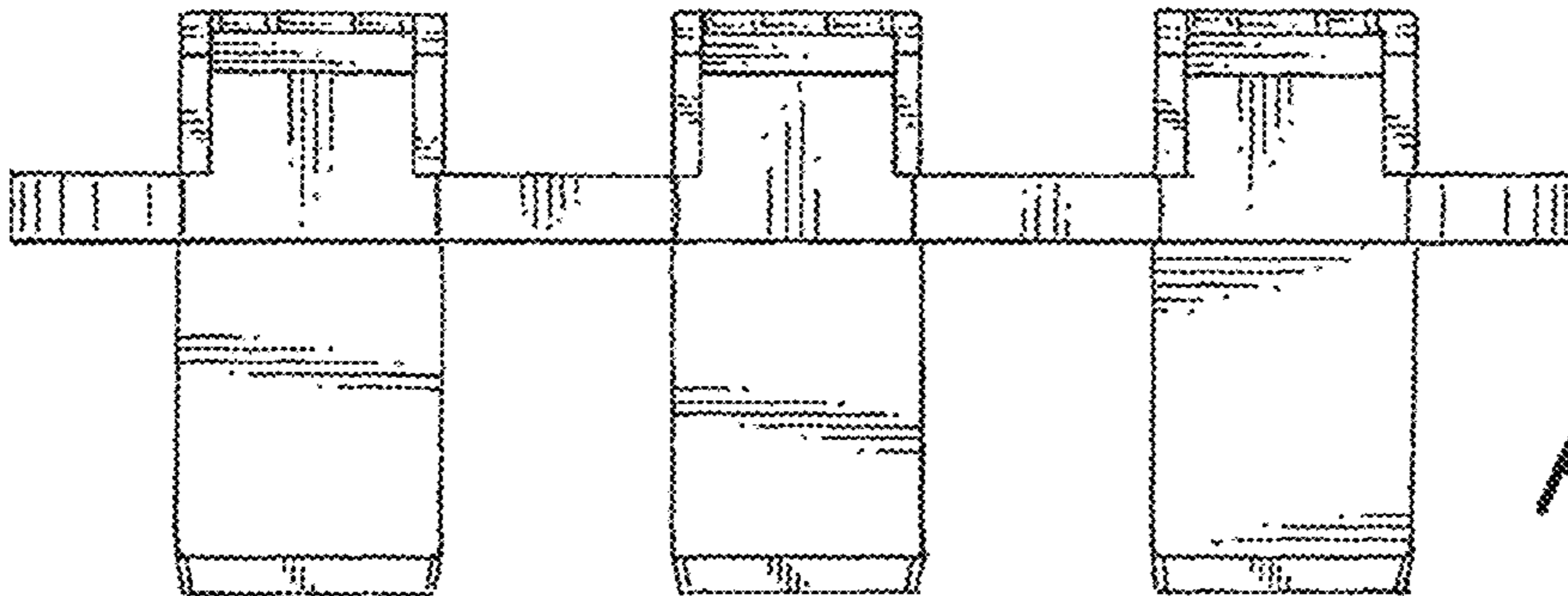


FIG. 16