



US00D792854S

(12) **United States Design Patent**
Ashibu

(10) **Patent No.:** **US D792,854 S**

(45) **Date of Patent:** **** Jul. 25, 2017**

(54) **ELECTRICAL CONNECTOR**

(71) Applicant: **JAPAN AVIATION ELECTRONICS INDUSTRY, LIMITED**, Tokyo (JP)

(72) Inventor: **Kenta Ashibu**, Tokyo (JP)

(73) Assignee: **Japan Aviation Electronics Industry, Limited**, Tokyo (JP)

(**) Term: **15 Years**

(21) Appl. No.: **29/578,238**

(22) Filed: **Sep. 20, 2016**

(30) **Foreign Application Priority Data**

Apr. 5, 2016 (JP) 2016-007537

(51) **LOC (10) Cl.** **13-03**

(52) **U.S. Cl.**
USPC **D13/147**

(58) **Field of Classification Search**
USPC D13/120, 133, 146, 147, 154, 184, 199;
D14/432, 433, 435, 435.1, 436, 437, 438
CPC H01R 12/51; H01R 12/52; H01R 12/592;
H01R 12/61; H01R 12/70; H01R
12/7005; H01R 12/71; H01R 12/72;
H01R 12/73; H01R 12/732; H01R
12/737; H01R 12/77; H01R 12/774;
H01R 12/777; H01R 12/778; H01R
12/79; H01R 13/516

See application file for complete search history.

(56) **References Cited**

U.S. PATENT DOCUMENTS

D540,263	S	*	4/2007	Kishi	D13/147
D603,799	S	*	11/2009	Obikane	D13/147
D642,531	S	*	8/2011	Nishimura	D13/147
D695,692	S		12/2013	Takenaga et al.		
D696,200	S	*	12/2013	Kobuchi	D13/147
D720,699	S	*	1/2015	Watanabe	D13/147
D722,295	S	*	2/2015	Miyazaki	D13/147
D733,058	S	*	6/2015	Miyazaki	D13/147
D739,825	S	*	9/2015	Omodachi	D13/147
D774,462	S	*	12/2016	Omodachi	D13/147

* cited by examiner

Primary Examiner — Daniel Bui

(74) *Attorney, Agent, or Firm* — Cermak Nakajima & McGowan LLP; Tomoko Nakajima

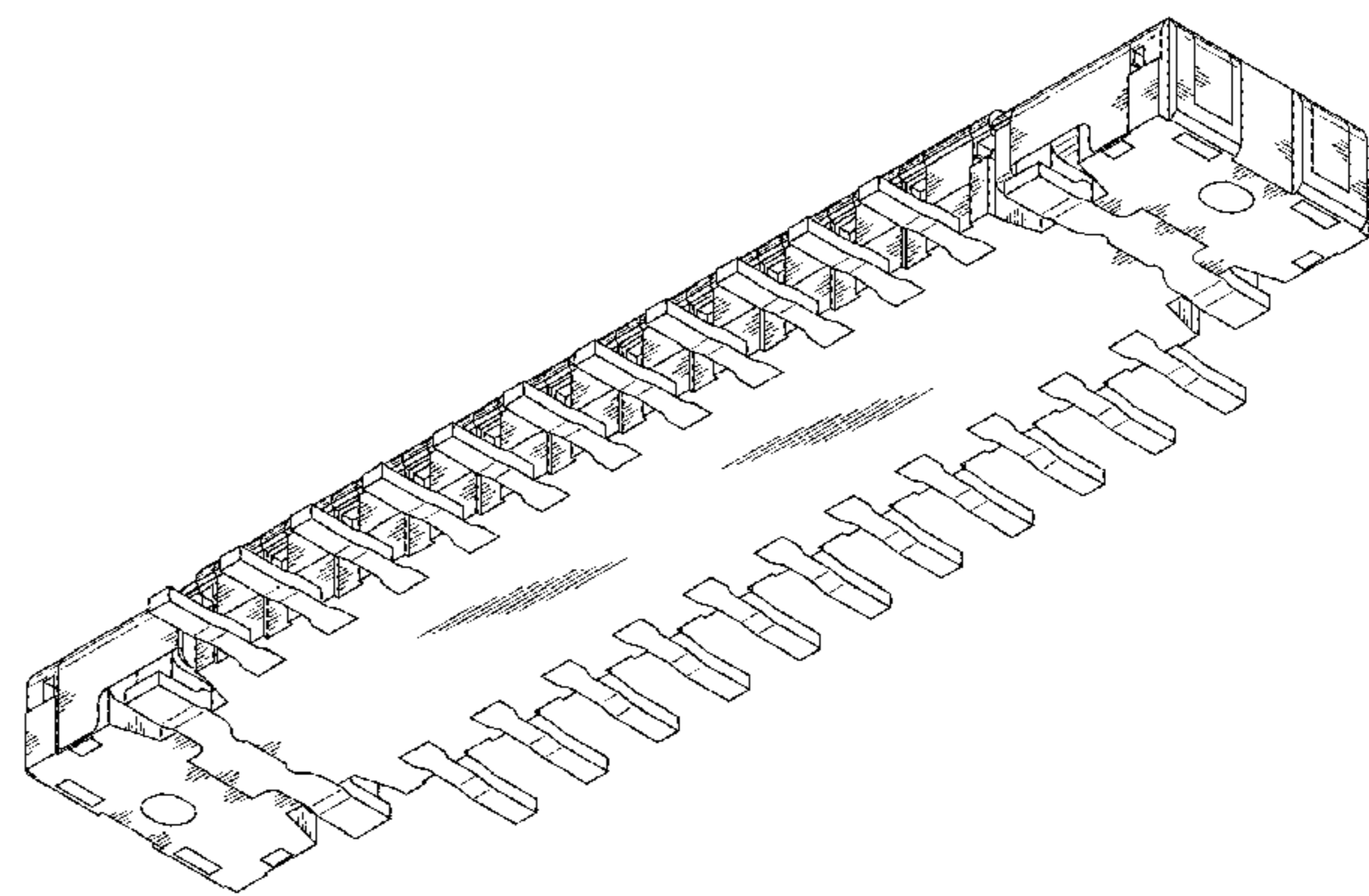
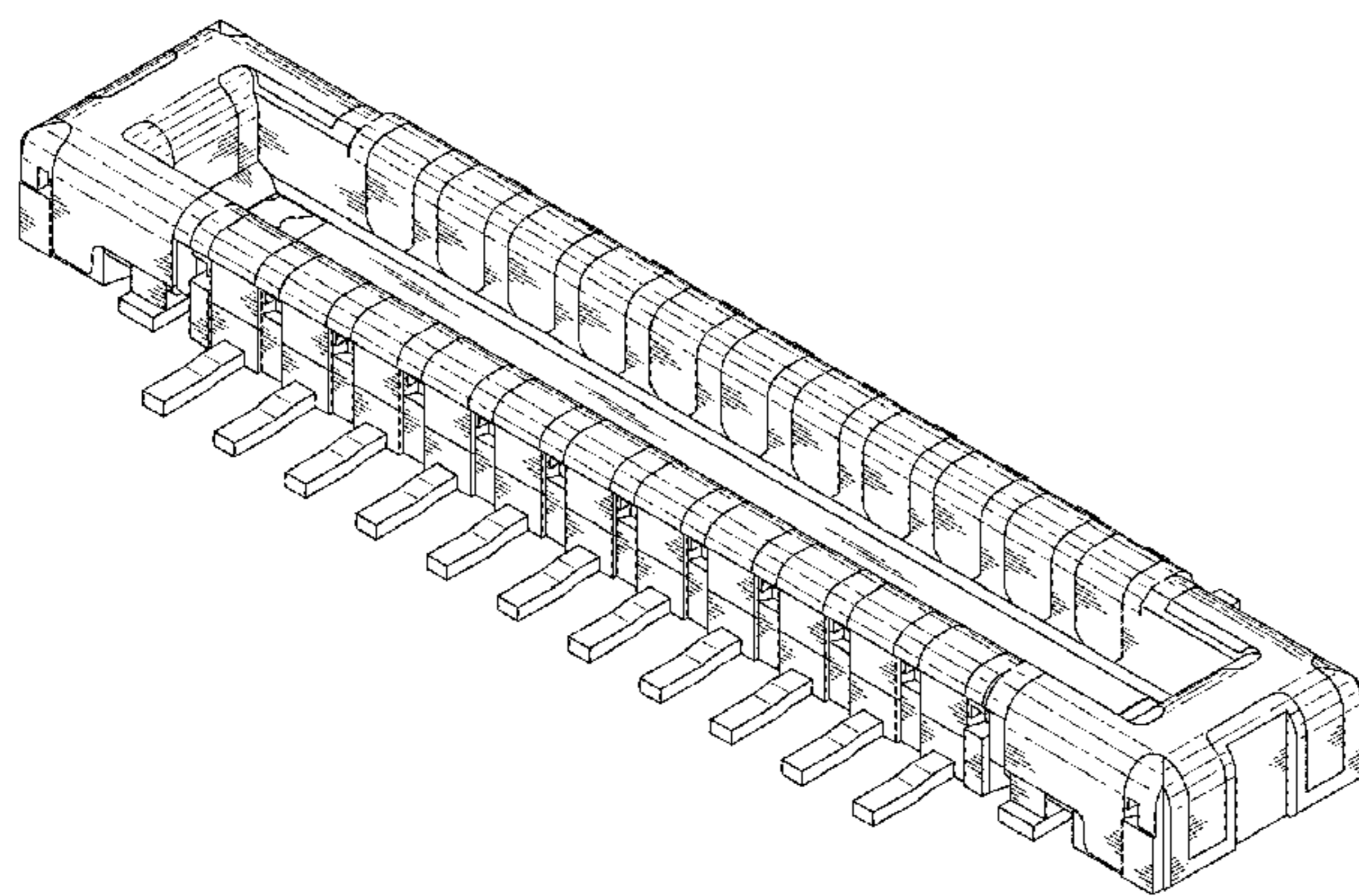
(57) **CLAIM**

The ornamental design for an electrical connector, as shown.

DESCRIPTION

FIG. 1 is a front elevational view of an electrical connector showing my new design; FIG. 2 is a top plan view thereof; FIG. 3 is a right side elevational view thereof; FIG. 4 is a left side elevational view thereof; FIG. 5 is a rear elevational view thereof; and FIG. 6 is a bottom plan view thereof. FIG. 7 is a front perspective view thereof; and FIG. 8 is a rear perspective view thereof; and, FIG. 9 is a reference cross sectional view thereof taken along the line A-A shown in FIG. 2.

1 Claim, 9 Drawing Sheets



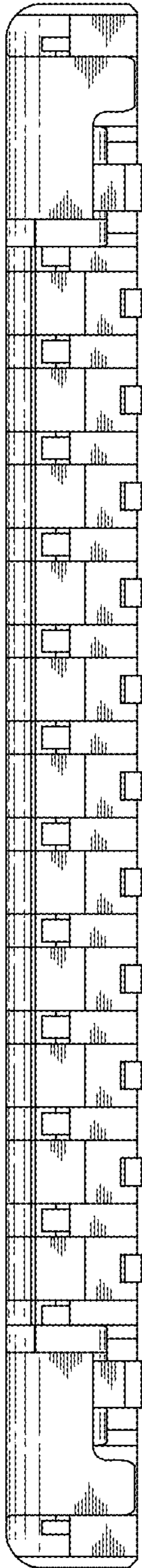


FIG.1

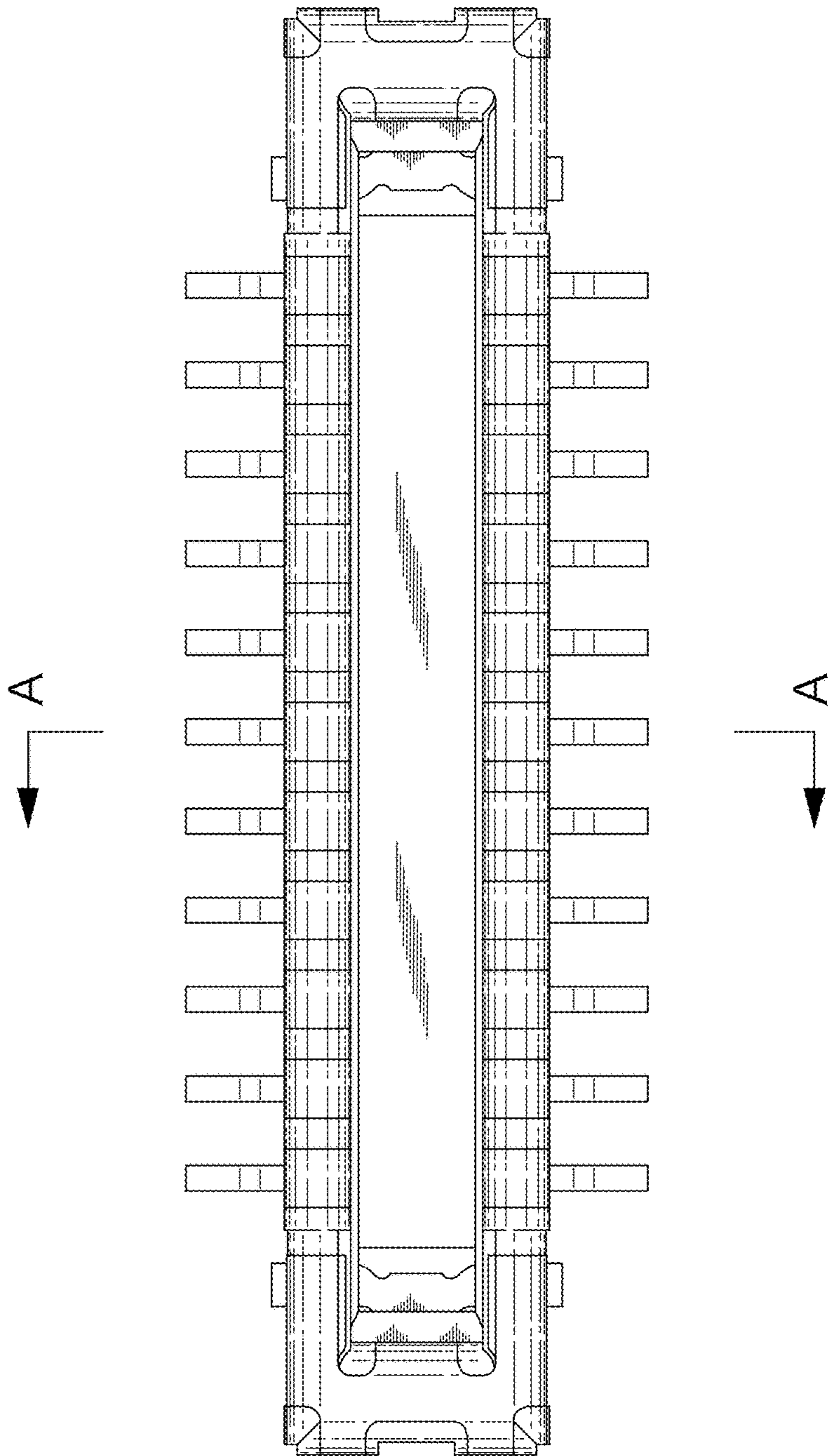


FIG.2

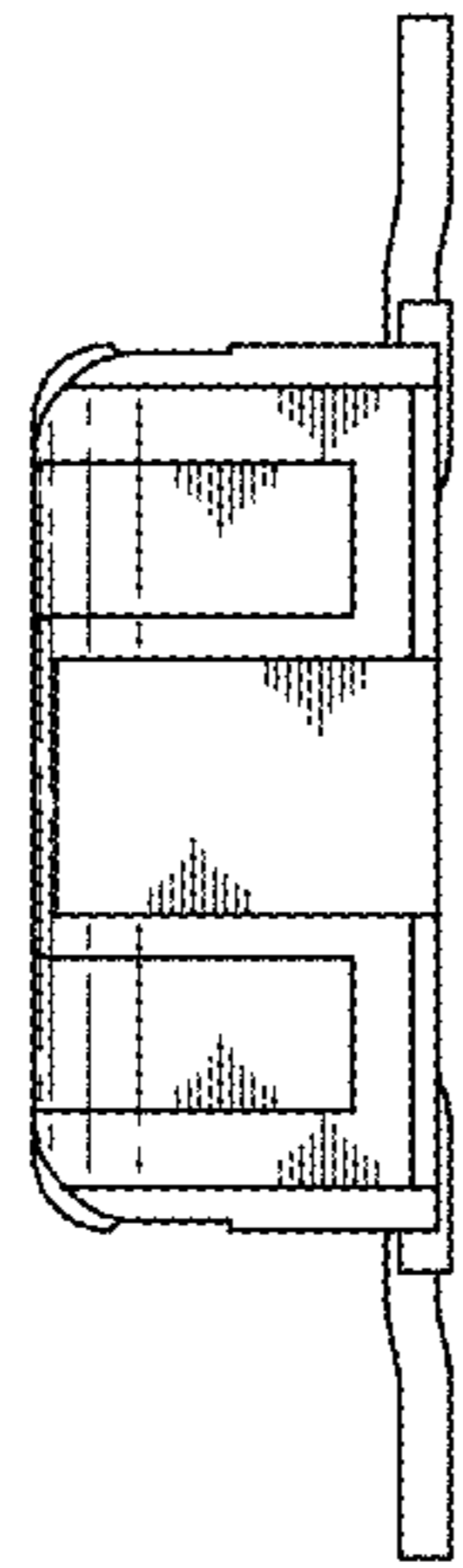


FIG.3

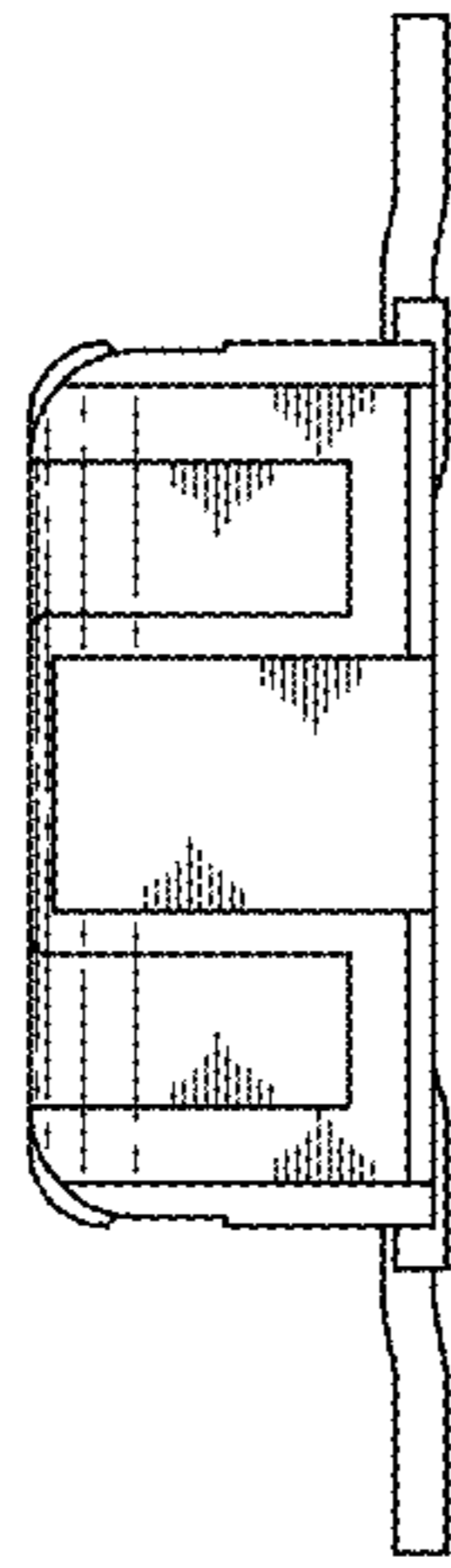


FIG.4

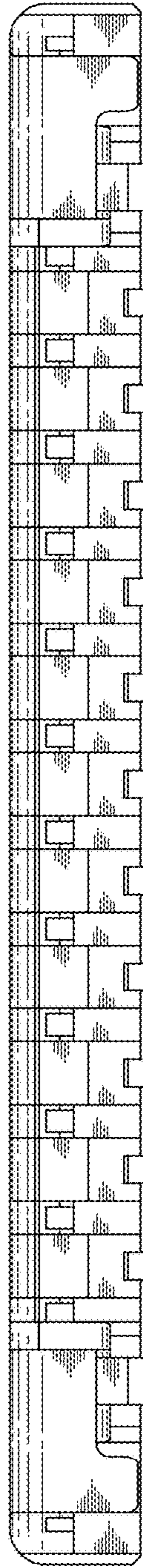


FIG.5

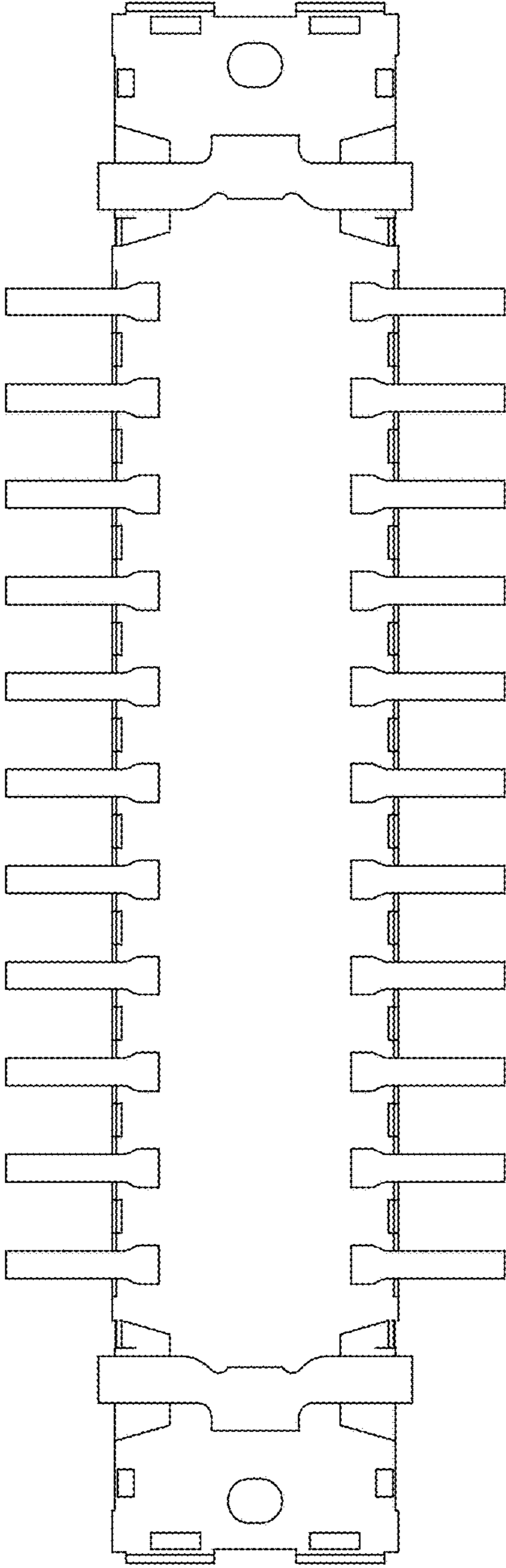


FIG.6

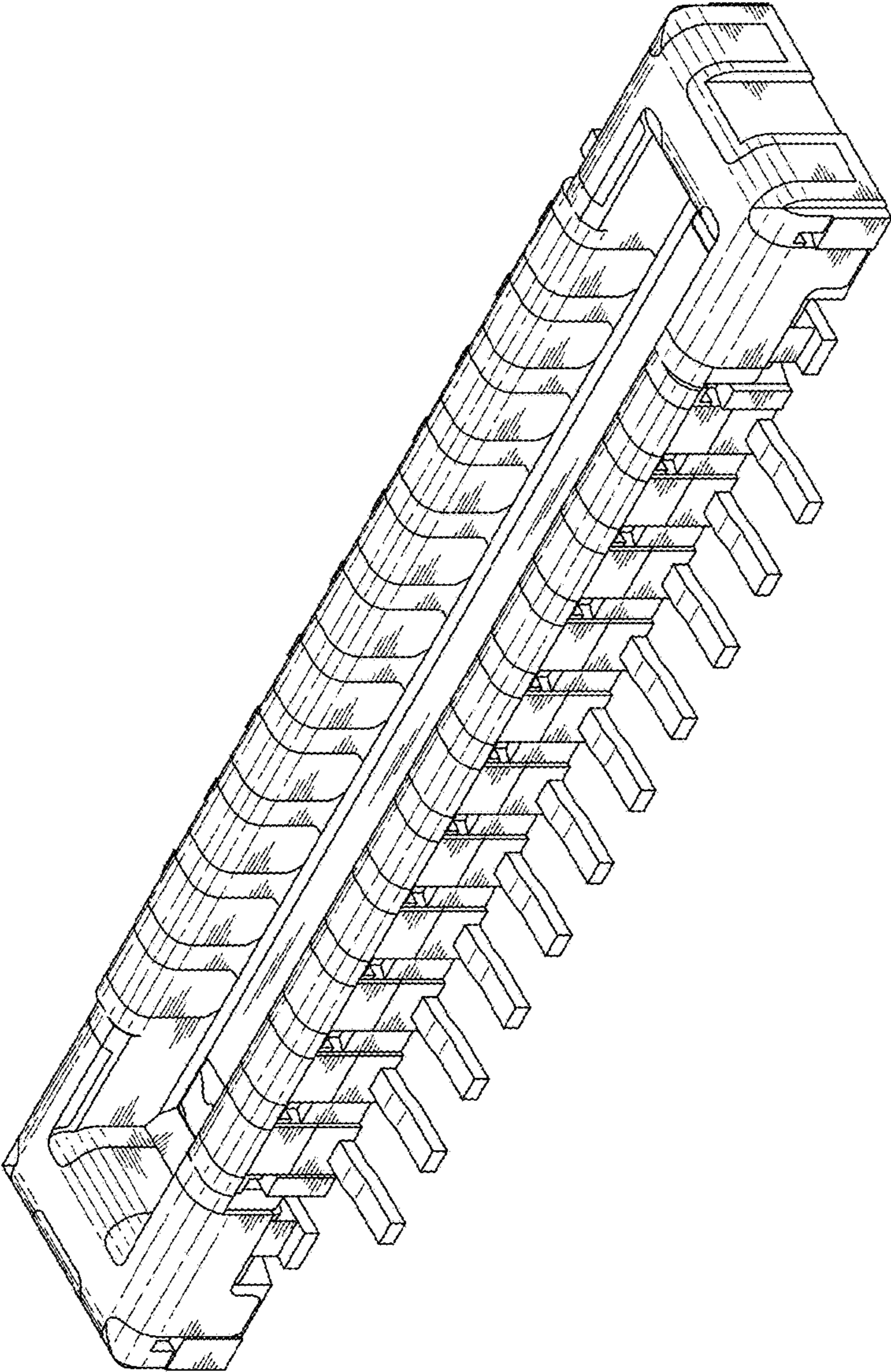


FIG.7

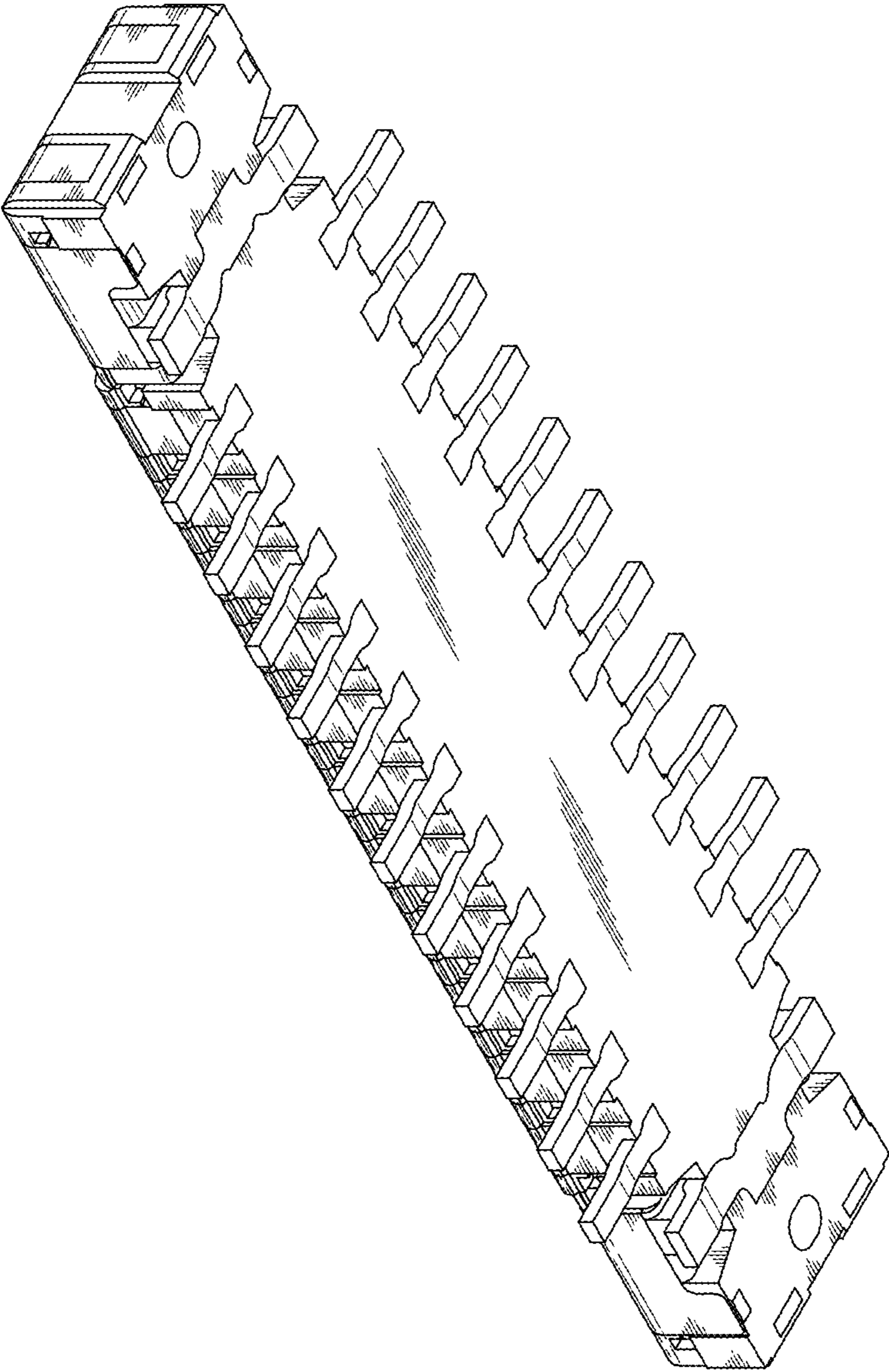


FIG.8

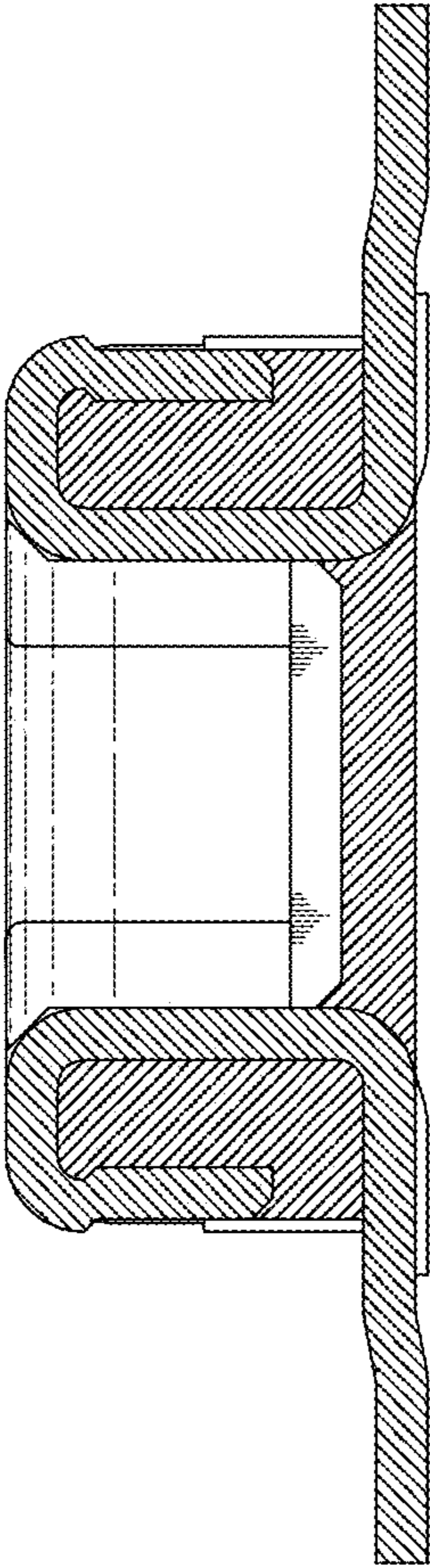


FIG.9