



US00D792850S

(12) **United States Design Patent**
Timmins et al.

(10) **Patent No.:** **US D792,850 S**

(45) **Date of Patent:** **** Jul. 25, 2017**

(54) **BREAKOUT MODULE**

(71) Applicant: **Optical Cable Corporation**, Roanoke, VA (US)

(72) Inventors: **Ian J. Timmins**, Asheville, NC (US);
Sumio Seo, Wallingford, VT (US)

(73) Assignee: **Optical Cable Corporation**, Roanoke, VA (US)

(**) Term: **15 Years**

(21) Appl. No.: **29/528,302**

(22) Filed: **May 28, 2015**

(51) **LOC (10) Cl.** **13-03**

(52) **U.S. Cl.**
USPC **D13/147**

(58) **Field of Classification Search**
USPC D13/123, 133, 146, 147, 154, 184, 199
CPC . G01R 31/02; G01R 6/38; G01R 6/44; G01R 6/4452; G01R 6/4455; G01R 6/4471; G01R 6/3879; G01R 6/3897
See application file for complete search history.

(56) **References Cited**

U.S. PATENT DOCUMENTS

D275,279 S * 8/1984 Littlefield D13/147
D315,547 S * 3/1991 Kozono D13/146

D372,897 S * 8/1996 Curry D13/184
D622,663 S * 8/2010 Panaccione D13/147
2016/0246024 A1* 8/2016 Timmins G02B 6/4455

* cited by examiner

Primary Examiner — Daniel Bui

(74) *Attorney, Agent, or Firm* — The Van Winkle Law Firm; William G. Heedy; David M. Carter

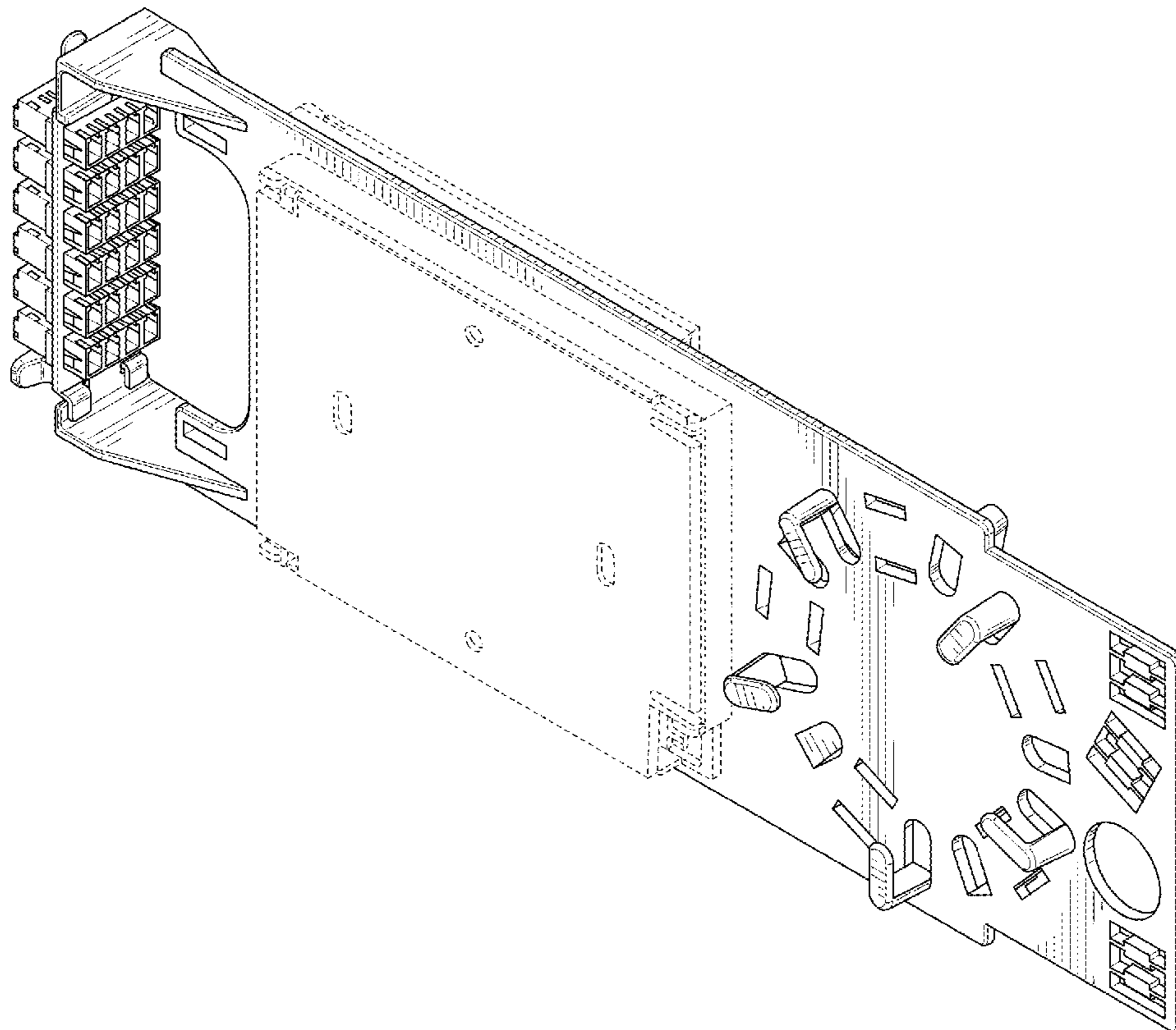
(57) **CLAIM**

The ornamental design for a breakout module, as shown and described.

DESCRIPTION

FIG. 1 is a top, front and left side perspective view of a breakout module design, showing our new design.
FIG. 2 is a top plan view thereof.
FIG. 3 is a bottom plan view thereof.
FIG. 4 is a front elevational view thereof.
FIG. 5 is a rear elevational view thereof.
FIG. 6 is a left side elevational view thereof; and,
FIG. 7 is a right side elevational view thereof.
The broken lines shown in the drawing views represent unclaimed environment only, and form no part of the claimed design.

1 Claim, 5 Drawing Sheets



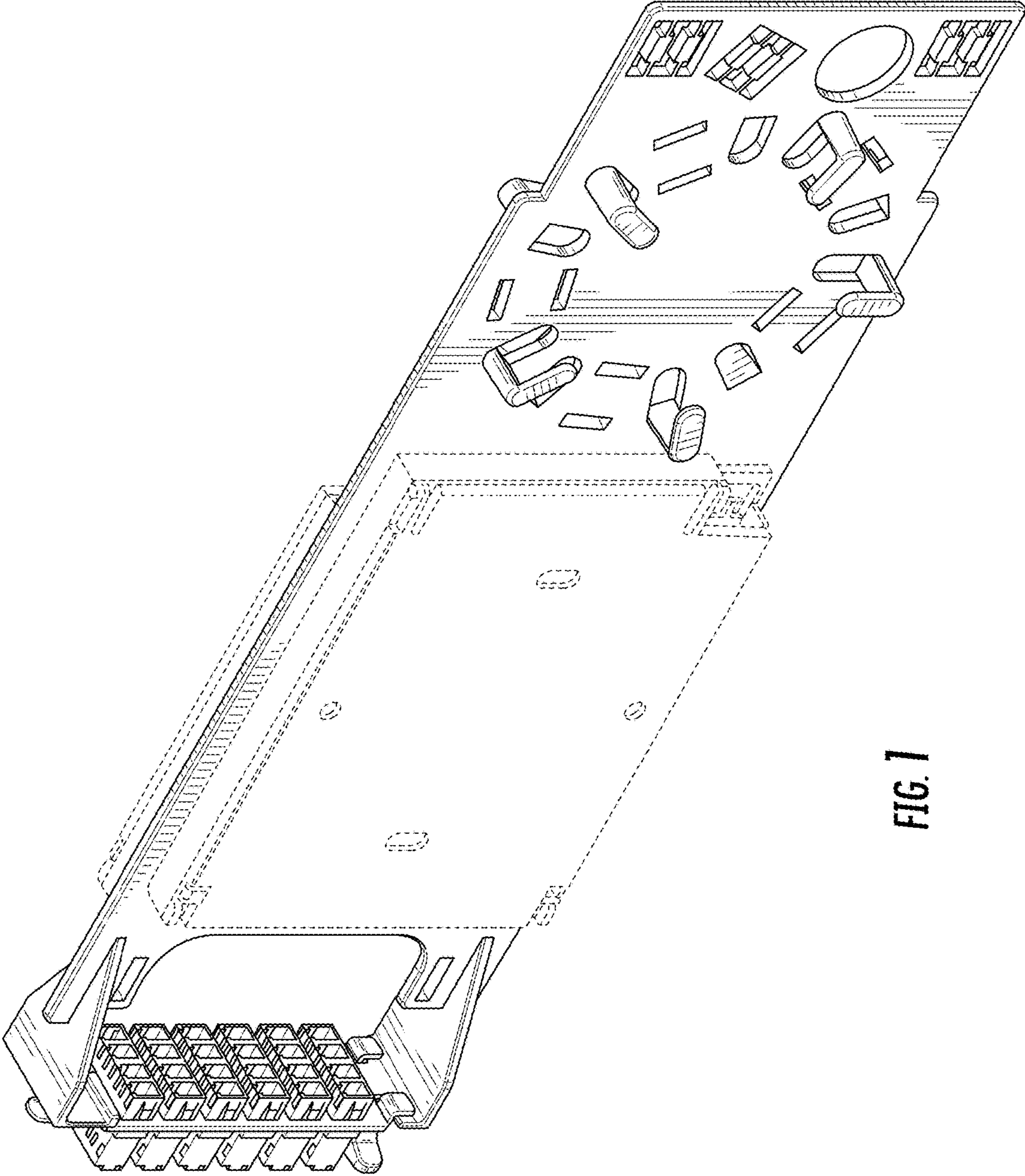


FIG. 1

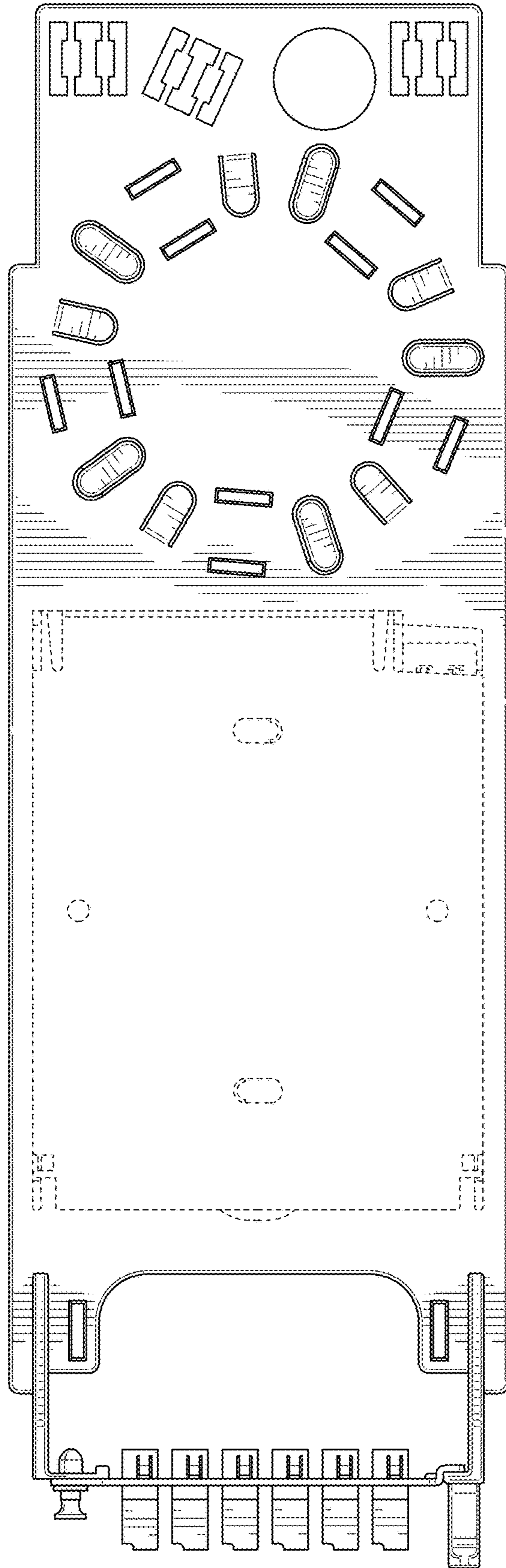


FIG. 2

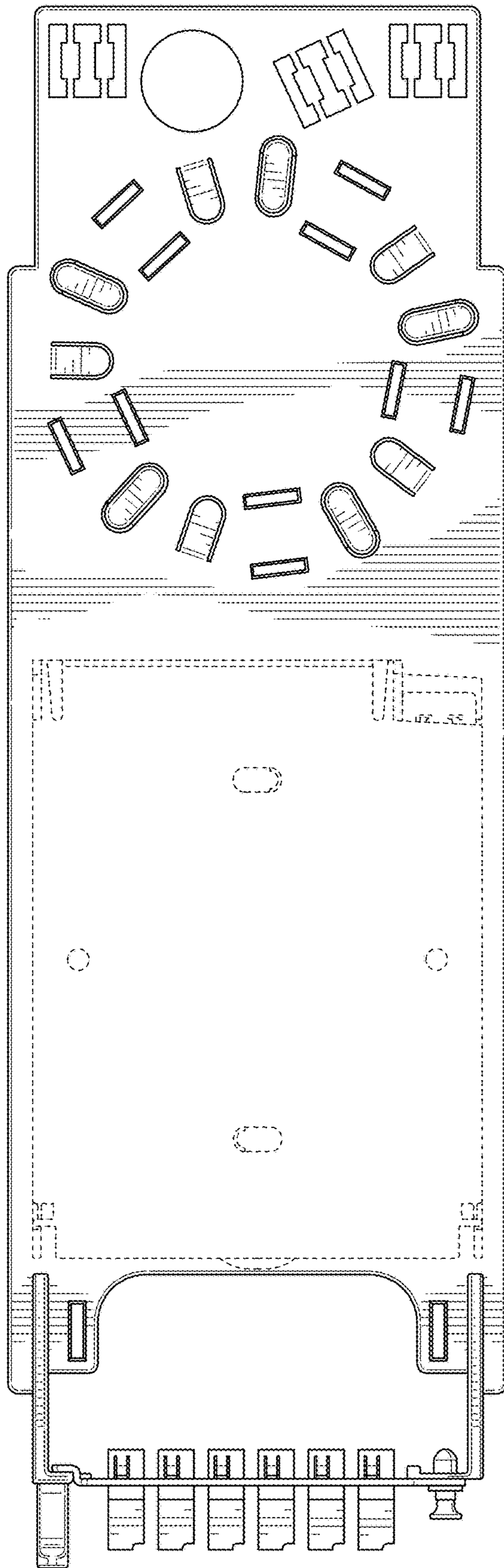


FIG. 3

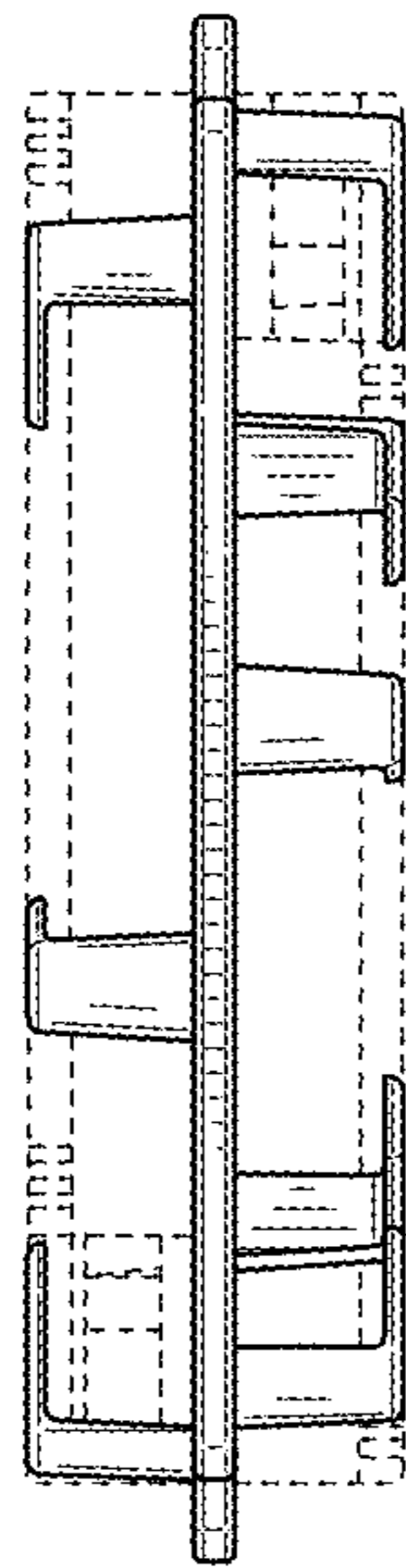


FIG. 4

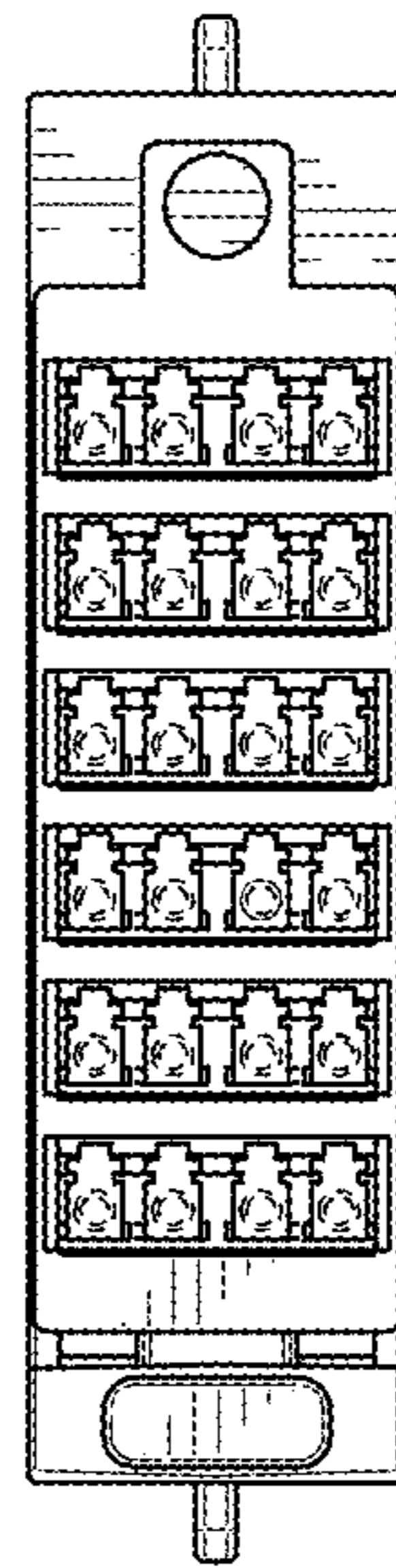


FIG. 5

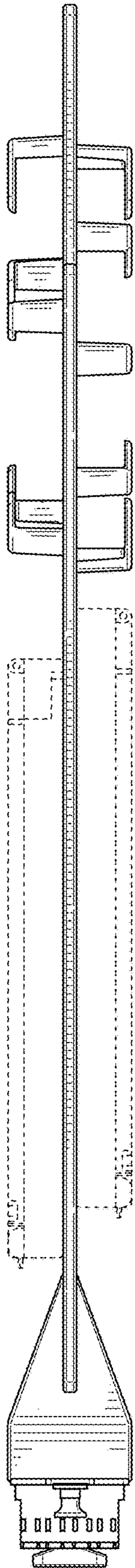


FIG. 6

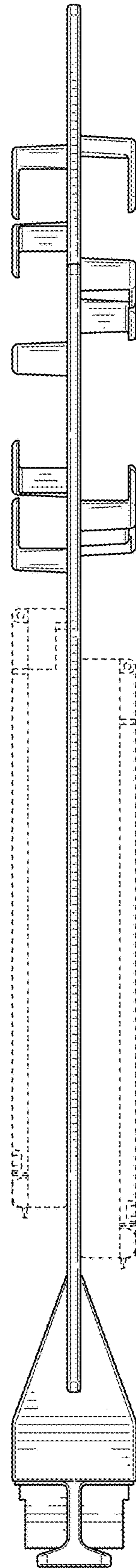


FIG. 7