

US00D792849S

(12) **United States Design Patent**
Mugan et al.

(10) **Patent No.:** **US D792,849 S**

(45) **Date of Patent:** **** Jul. 25, 2017**

(54) **ELECTRICAL SOCKET CONNECTOR**

(56) **References Cited**

- (71) Applicant: **AMPHENOL CORPORATION**,
Wallingford, CT (US)
- (72) Inventors: **Shan Mugan**, Markham (CA); **Adrian Green**, Newcastle (CA); **Bradley J. Copping**, Whitby (CA)
- (73) Assignee: **Amphenol Corporation**, Wallingford, CT (US)
- (**) Term: **14 Years**
- (21) Appl. No.: **29/521,025**
- (22) Filed: **Mar. 19, 2015**
- (51) **LOC (10) Cl.** **13-03**
- (52) **U.S. Cl.**
USPC **D13/147**
- (58) **Field of Classification Search**
USPC D13/110, 133, 146, 147, 154, 184, 199;
439/680
CPC H01R 4/00; H01R 5/00; H01R 13/514;
H01R 13/64; H01R 13/6461; H01R
13/648; H01R 13/426; H01R 13/434;
H01R 13/20; H01R 31/02; H01R 13/111;
H01R 4/34; H01R 4/64; H01R 4/4809;
H01R 9/16; H01R 13/4223; H01R
13/4365; H01R 13/4364; H01R 13/4362;
H01R 13/422; H01H 1/58

See application file for complete search history.

U.S. PATENT DOCUMENTS

D344,710	S	*	3/1994	Morgan	D13/147
D414,466	S	*	9/1999	Bradshaw	D13/147
D417,195	S	*	11/1999	Dague	D13/147
D459,701	S	*	7/2002	Larsen	D13/147
D460,045	S	*	7/2002	Larsen	D13/147
D742,324	S	*	11/2015	Teranishi	D13/147
2013/0252477	A1	*	9/2013	McAlonis	H01R 13/6453 439/680

* cited by examiner

Primary Examiner — Daniel Bui

(74) *Attorney, Agent, or Firm* — Blank Rome LLP

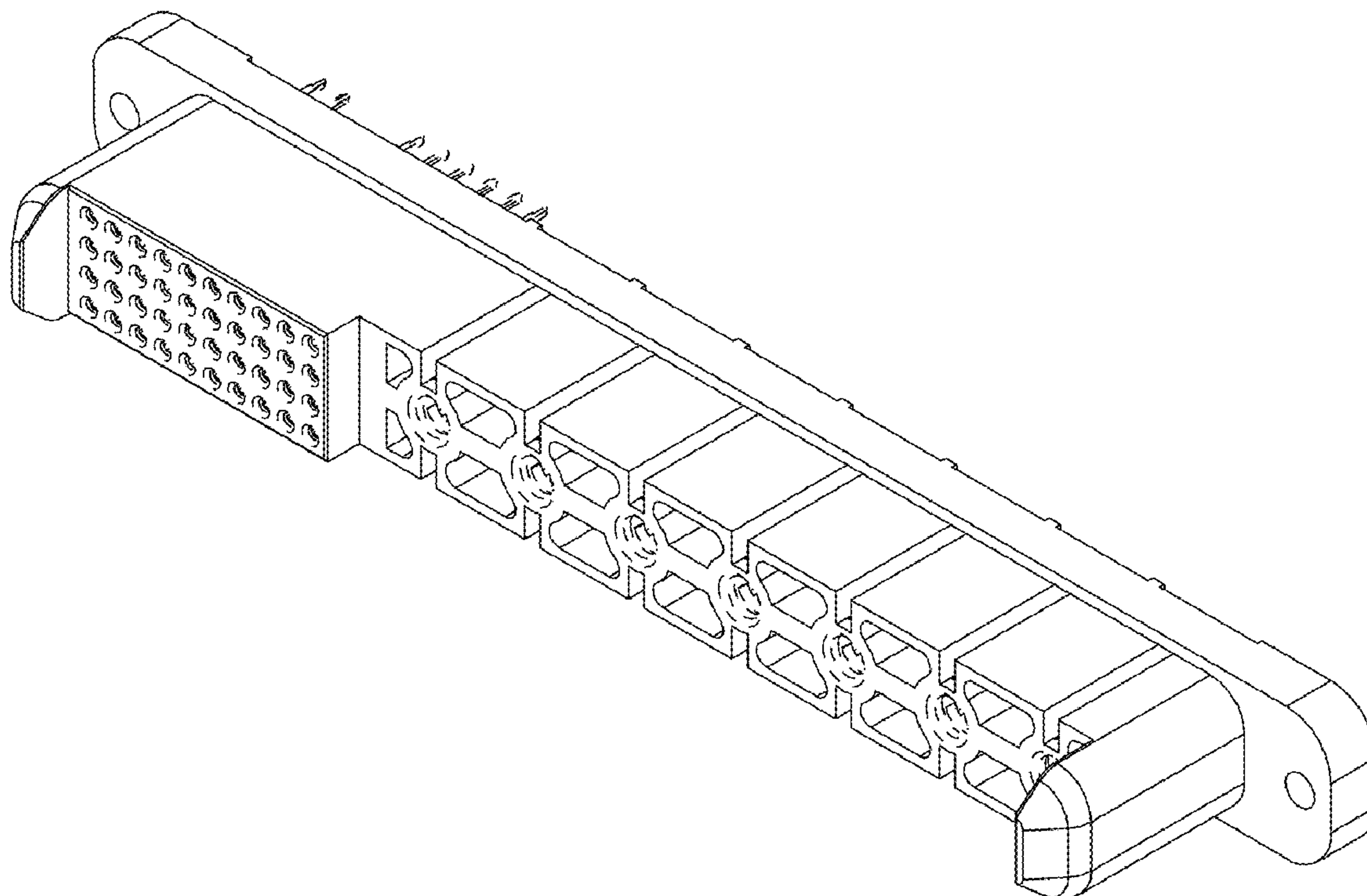
(57) **CLAIM**

The ornamental design for the electrical socket connector, as shown and described.

DESCRIPTION

FIG. 1 is a front perspective view of an electrical socket connector showing our new design;
 FIG. 2 is a front elevation view thereof;
 FIG. 3 is a rear elevation view thereof;
 FIG. 4 is a right side elevation view thereof;
 FIG. 5 is a left side elevation view thereof;
 FIG. 6 is a top plan view thereof; and,
 FIG. 7 is a bottom plan view thereof.
 The broken line in the drawing views represents unclaimed environment only, and forms no part of the claimed design.

1 Claim, 2 Drawing Sheets



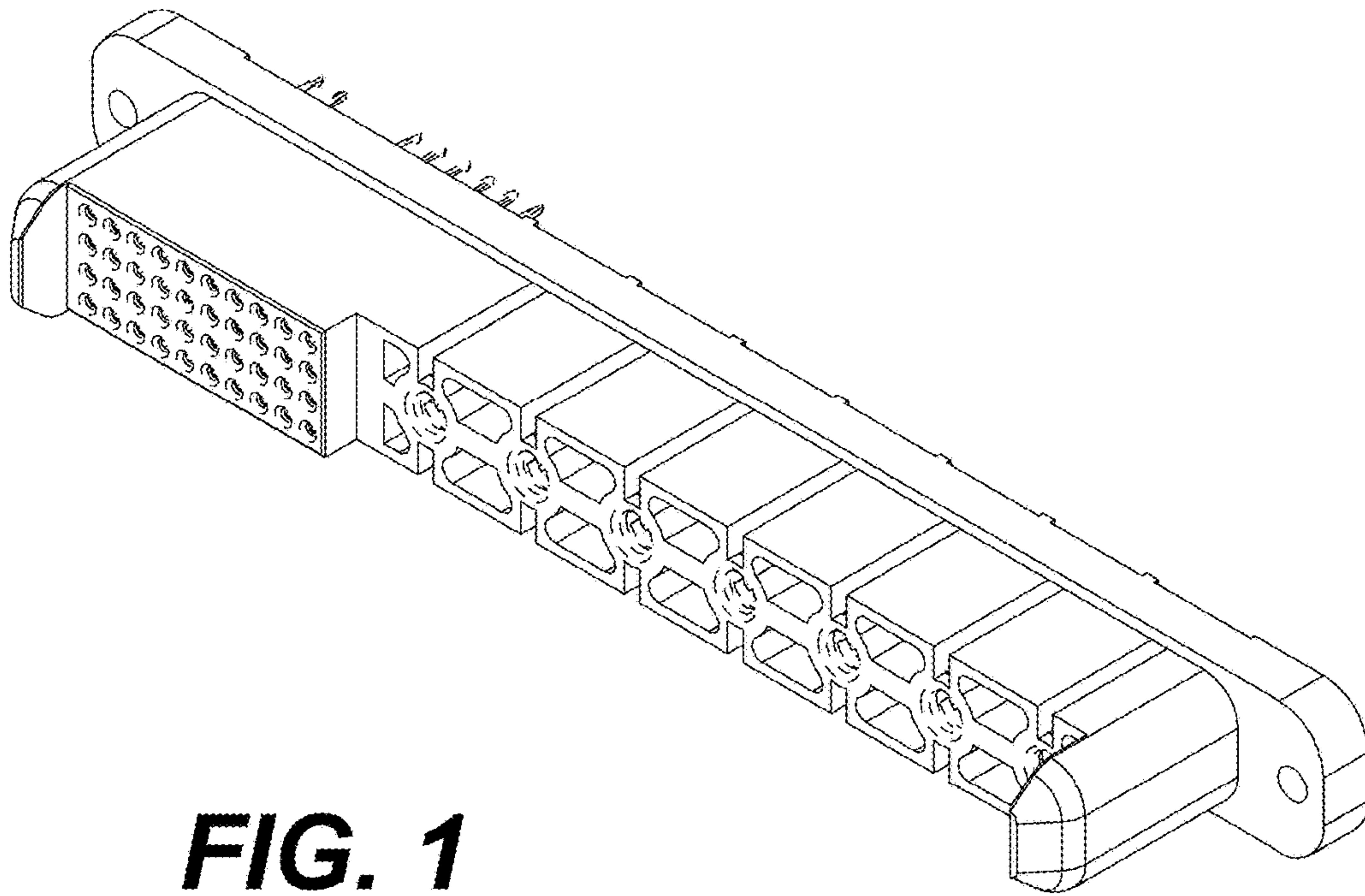


FIG. 1

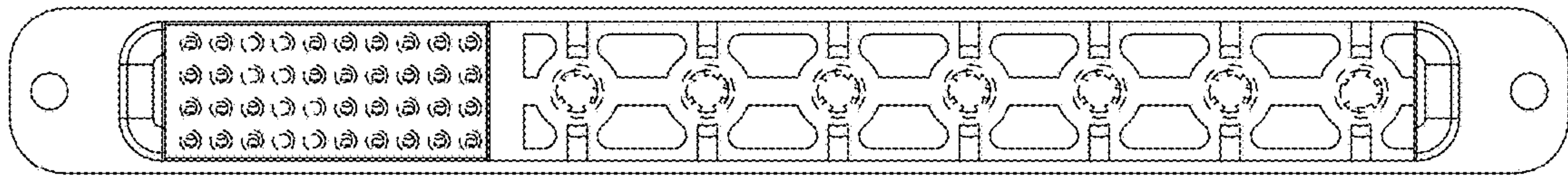


FIG. 2

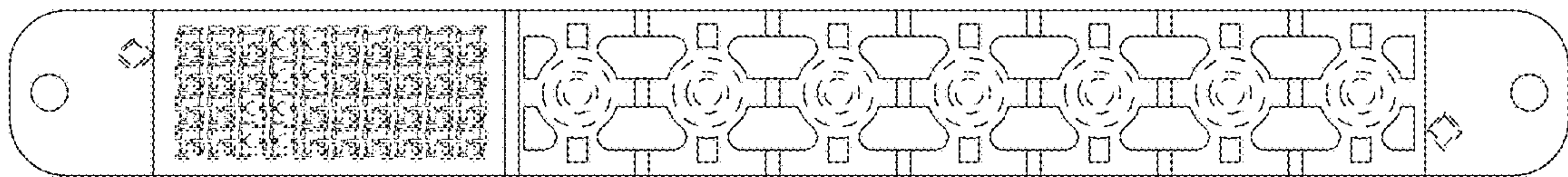


FIG. 3

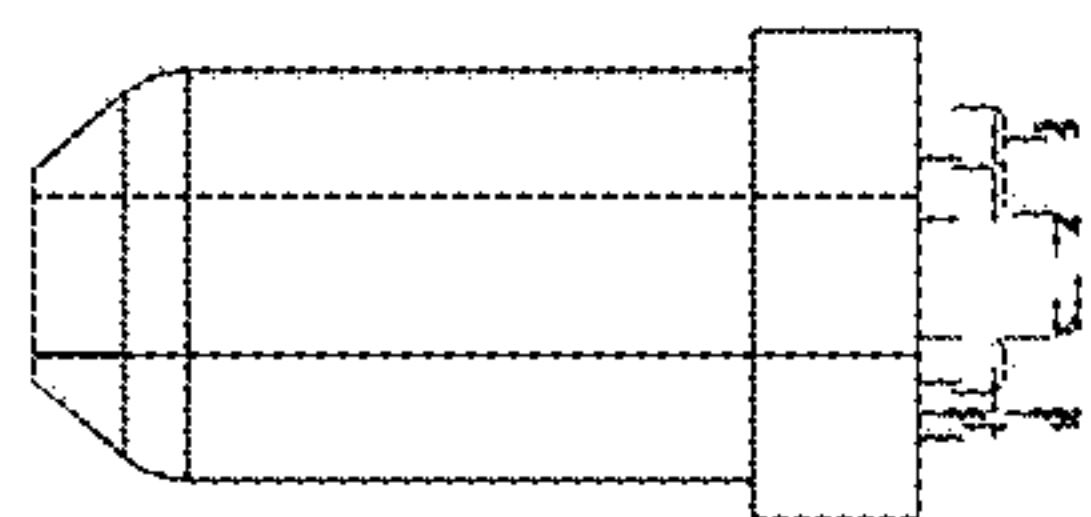


FIG. 4

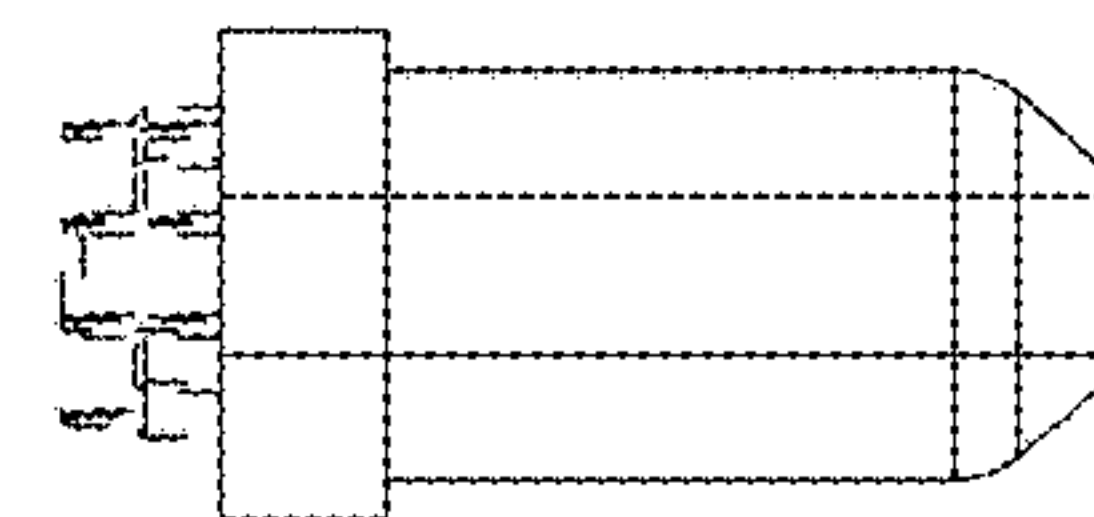


FIG. 5

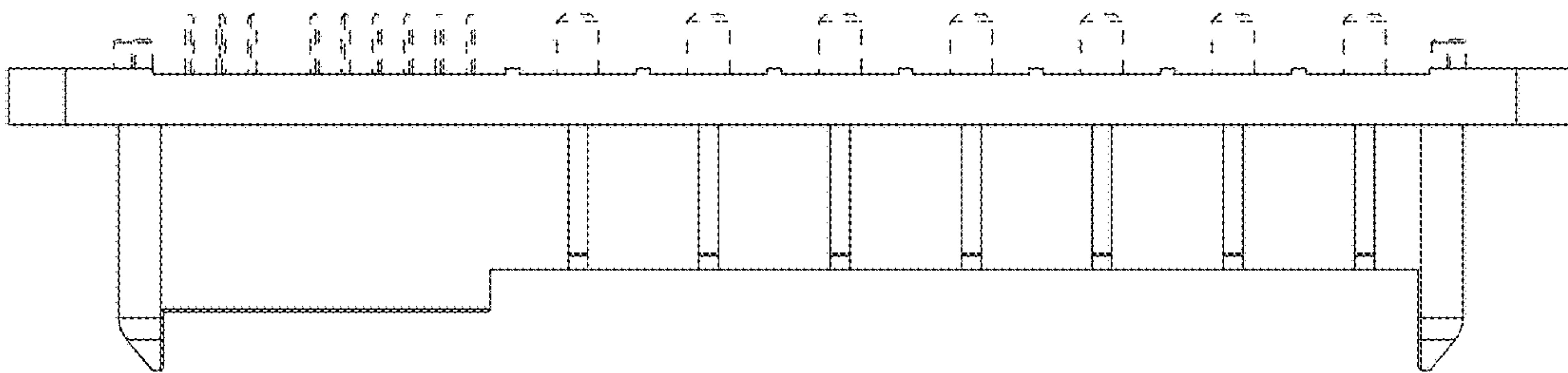


FIG. 6

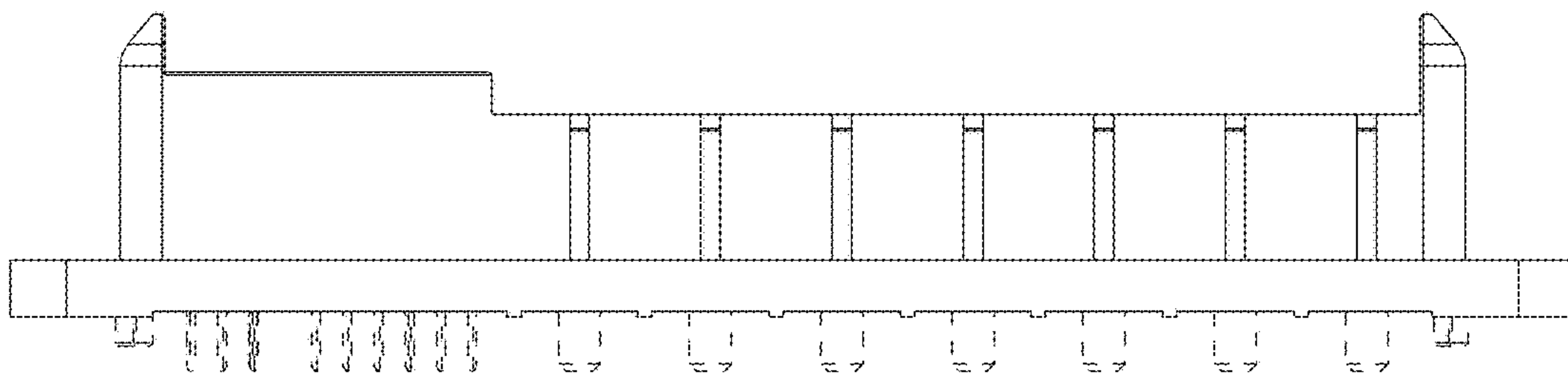


FIG. 7