



US00D792848S

(12) **United States Design Patent**
Poikolainen et al.

(10) **Patent No.:** **US D792,848 S**

(45) **Date of Patent:** **** Jul. 25, 2017**

(54) **POWER DISTRIBUTION DEVICE**
(71) Applicant: **ABB OY**, Helsinki (FI)
(72) Inventors: **Seppo Poikolainen**, Vantaa (FI); **Mikko Nupponen**, Espo (FI)
(73) Assignee: **ABB Oy**, Helsinki (FI)
(**) Term: **14 Years**

D410,624 S * 6/1999 Loh D13/110
D449,817 S * 10/2001 Takeuchi D13/110
D514,518 S * 2/2006 Strayer D13/139.4
D541,743 S * 5/2007 Virolainen D13/110
7,848,085 B2 * 12/2010 Gerber H02B 1/52
174/50.52
8,427,815 B2 * 4/2013 Fontana H02B 1/20
361/601
D682,212 S * 5/2013 Udagawa D13/139.4
D689,024 S * 9/2013 Takata D13/152
2015/0116937 A1 * 4/2015 Huesgen H05K 5/0091
361/696

(21) Appl. No.: **29/509,080**

* cited by examiner

(22) Filed: **Nov. 13, 2014**

Primary Examiner — Rhea Shields

(30) **Foreign Application Priority Data**

(74) *Attorney, Agent, or Firm* — Taft Stettinius & Hollister LLP

Jun. 5, 2014 (EM) 002477166-0001
Jun. 5, 2014 (EM) 002477166-0002
Jun. 5, 2014 (EM) 002477166-0003

(57) **CLAIM**

The ornamental design for a power distribution device, as shown and described.

(51) **LOC (10) Cl.** **13-03**
(52) **U.S. Cl.**
USPC **D13/139.4**

DESCRIPTION

(58) **Field of Classification Search**
USPC D13/139.1–139.4, 123, 110, 107, 152;
361/641, 601, 696; D14/365; 174/50.52
CPC H02B 1/52; H02B 1/20
See application file for complete search history.

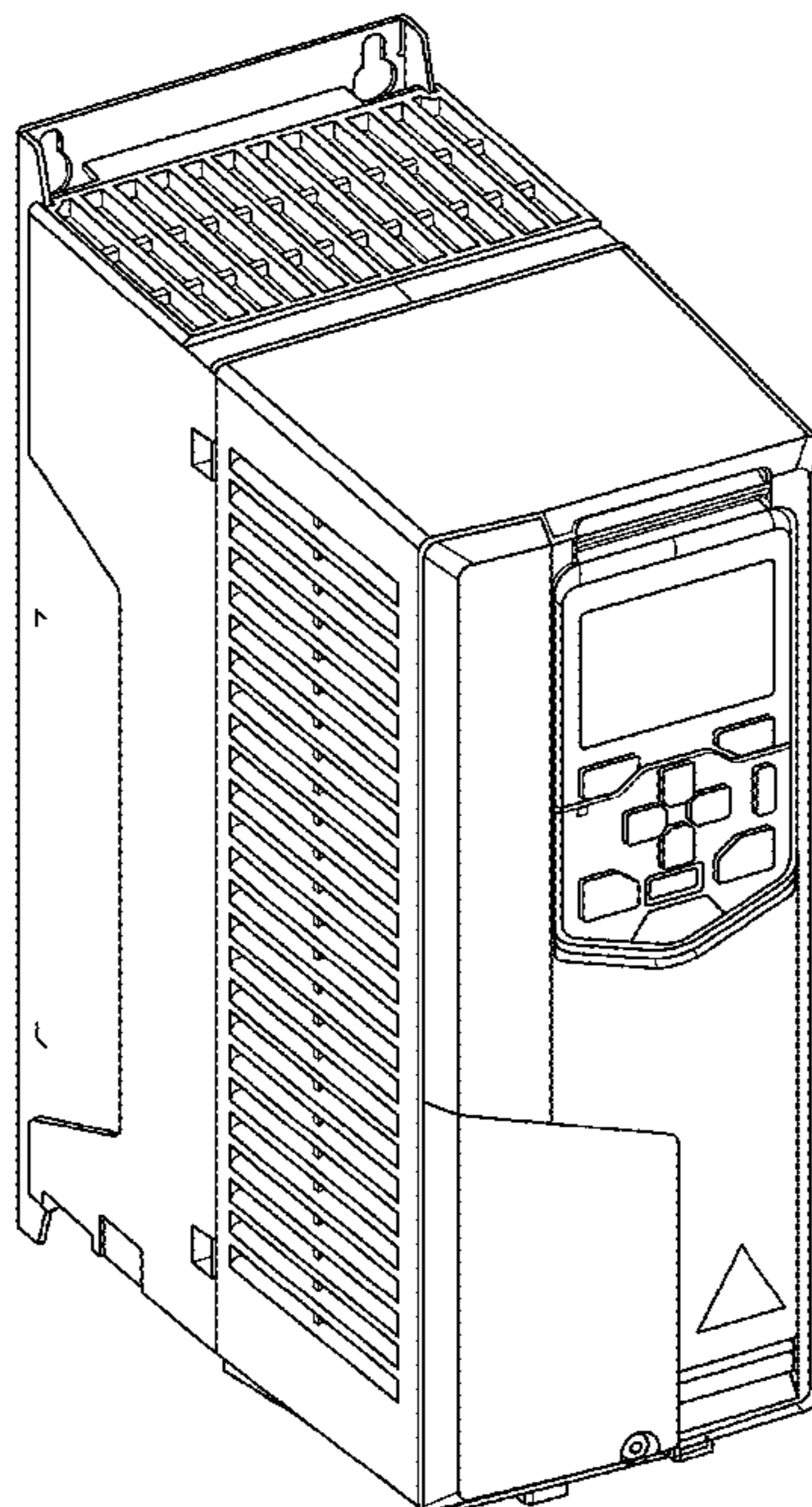
FIG. 1 is a front, left perspective view of a power distribution device showing our new design.
FIG. 2 is a front elevational view thereof.
FIG. 3 is a rear, right perspective view thereof.
FIG. 4 is a rear elevational view thereof.
FIG. 5 is a top plan view thereof.
FIG. 6 is a bottom plan view thereof.
FIG. 7 is a left side elevational view thereof; and,
FIG. 8 is a right side elevational view thereof.
In the drawings, the broken lines are for the purpose of illustrating environment only and form no part of the claimed design.

(56) **References Cited**

U.S. PATENT DOCUMENTS

5,070,429 A * 12/1991 Skirpan H02B 1/52
361/641
D340,040 S * 10/1993 Gifford D14/365
D358,753 S * 5/1995 Yoshida D13/123
D365,082 S * 12/1995 Cook, II D13/110
D409,139 S * 5/1999 Cornell D13/107

1 Claim, 8 Drawing Sheets



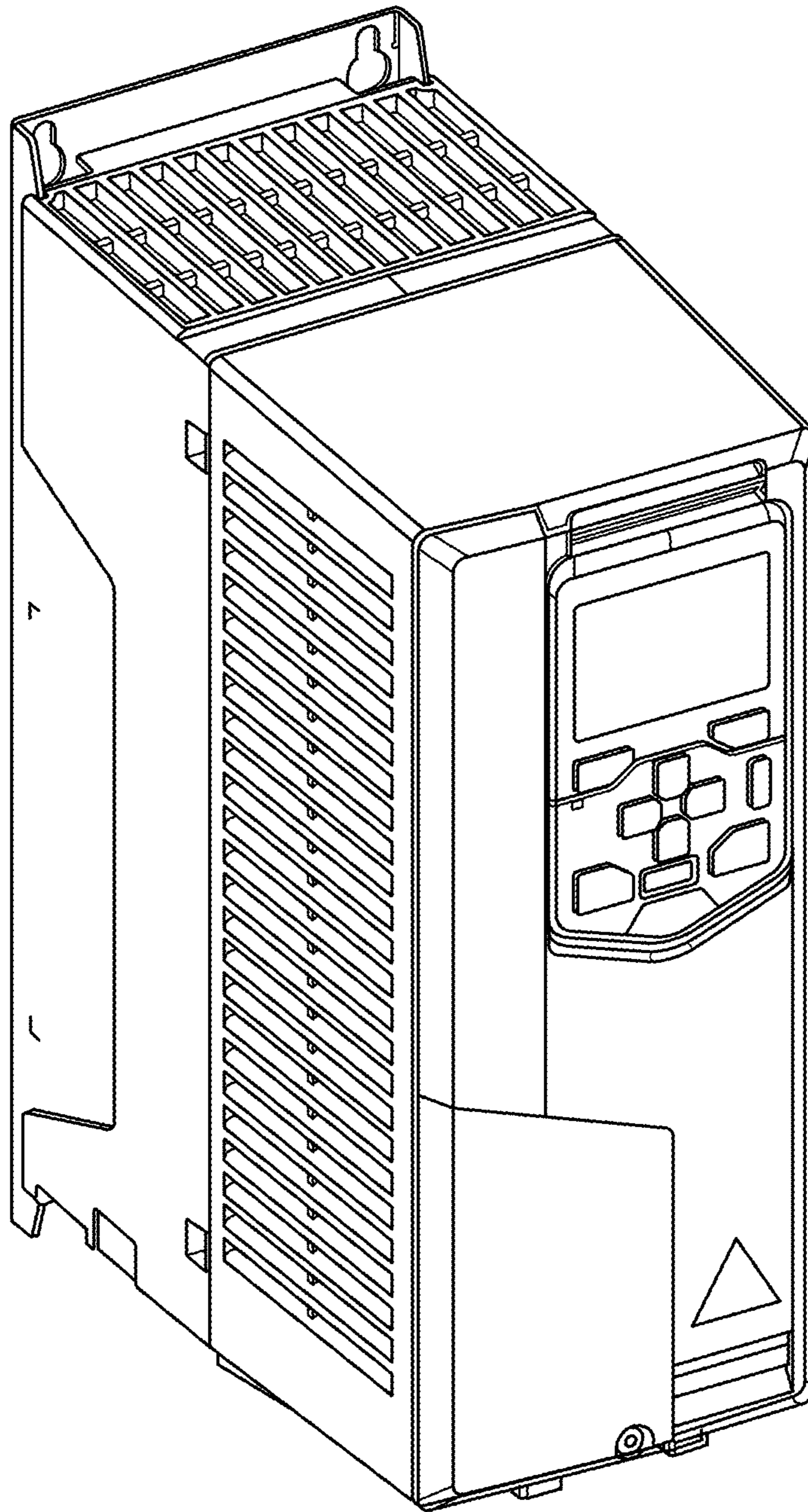


Fig.1

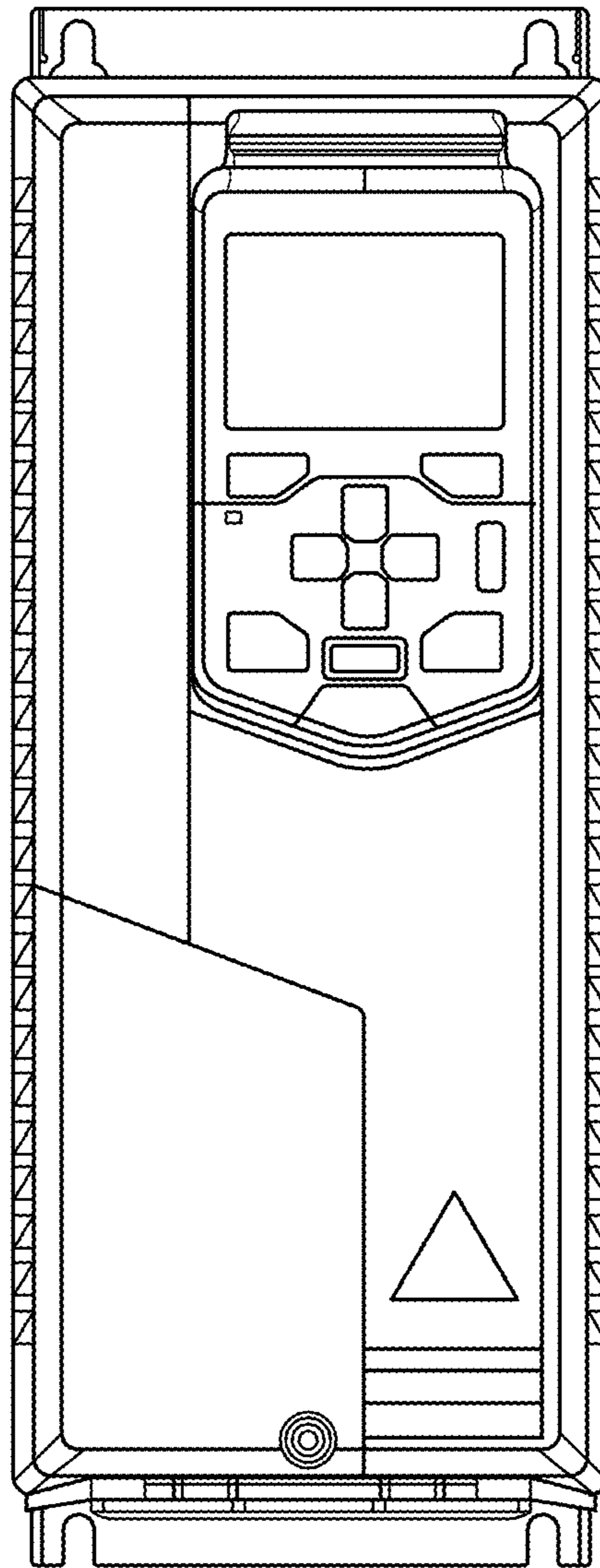


Fig.2

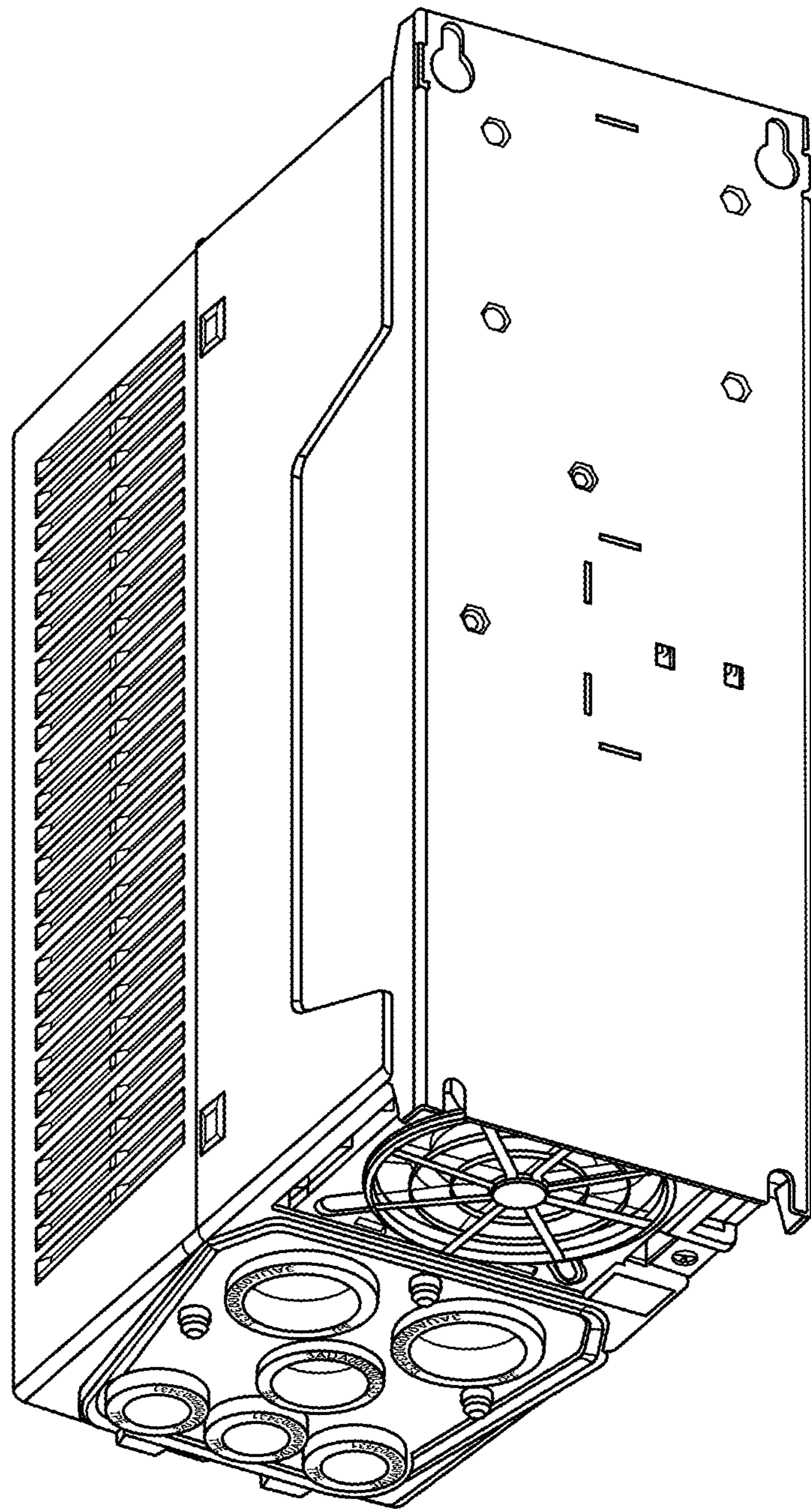


Fig.3

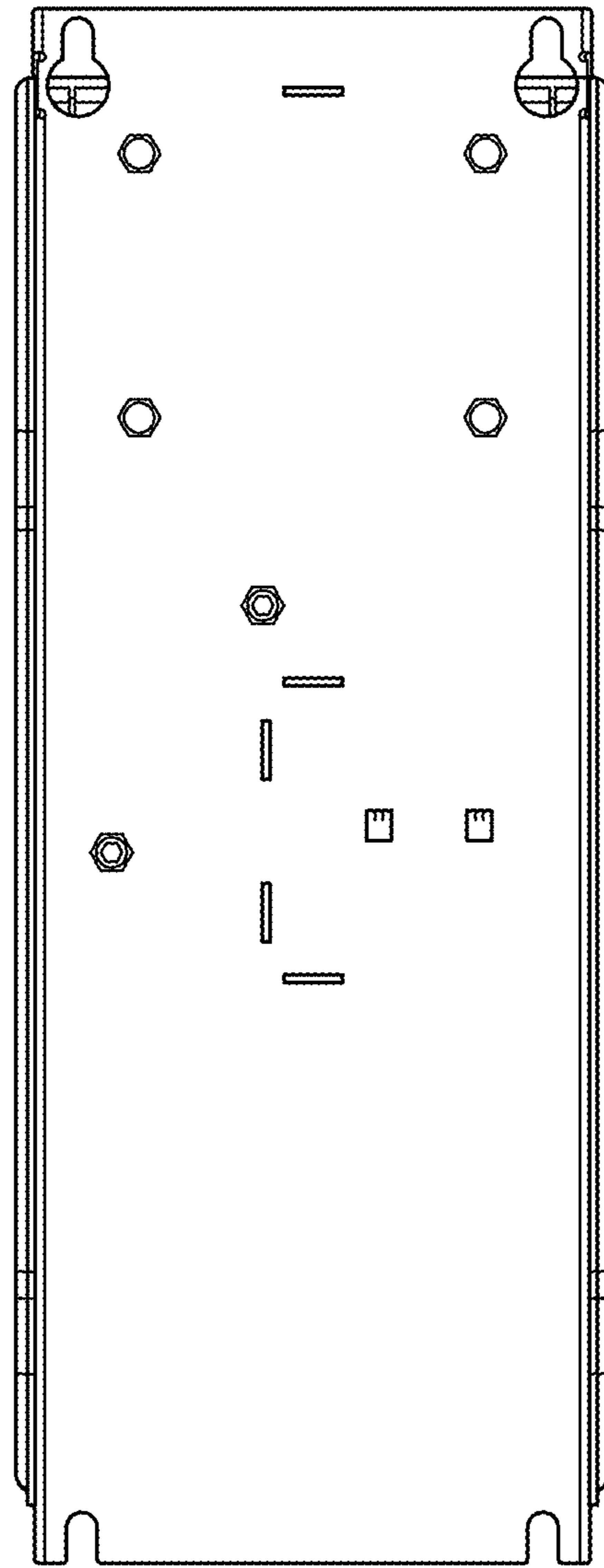


Fig.4

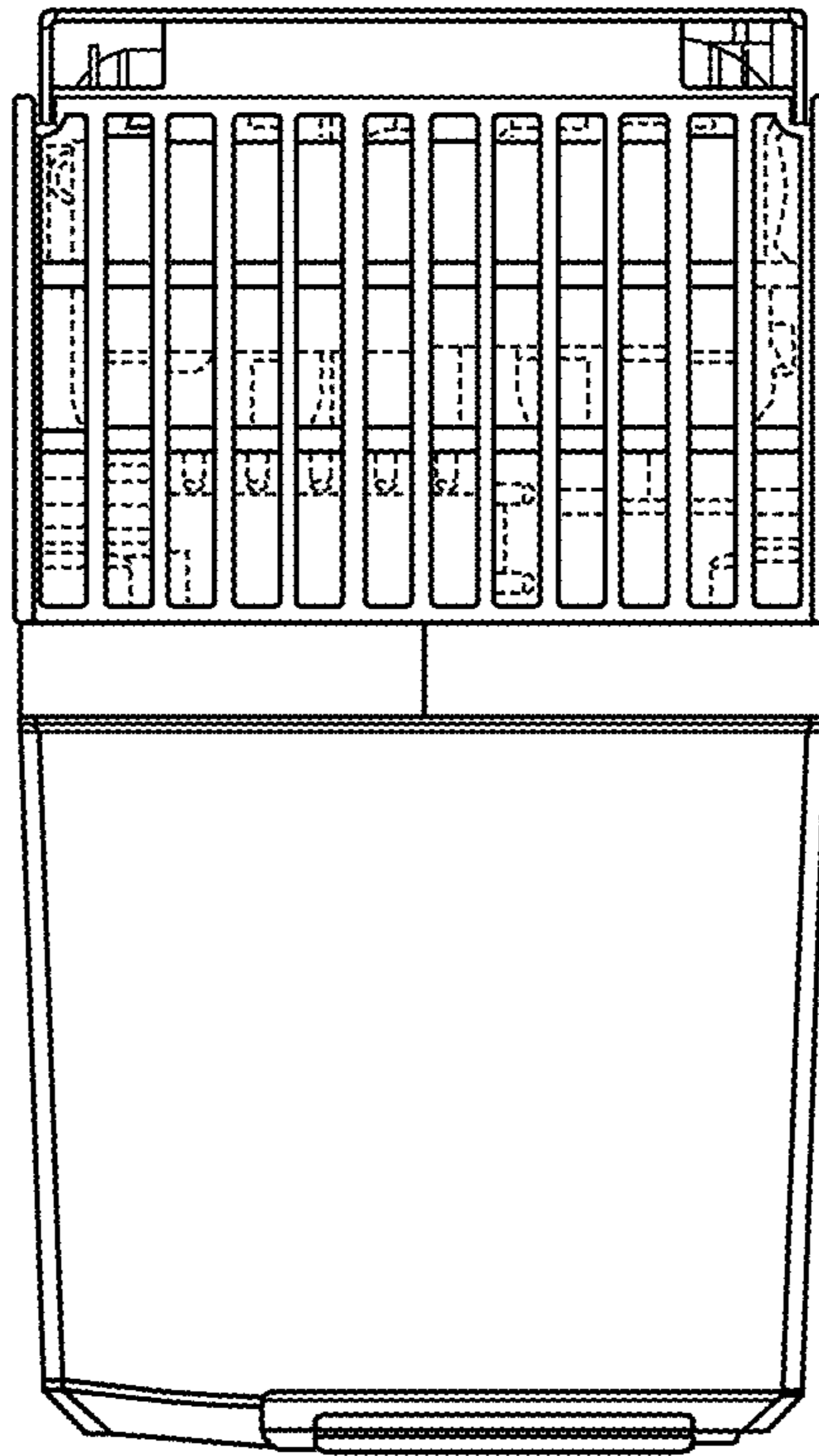


Fig.5

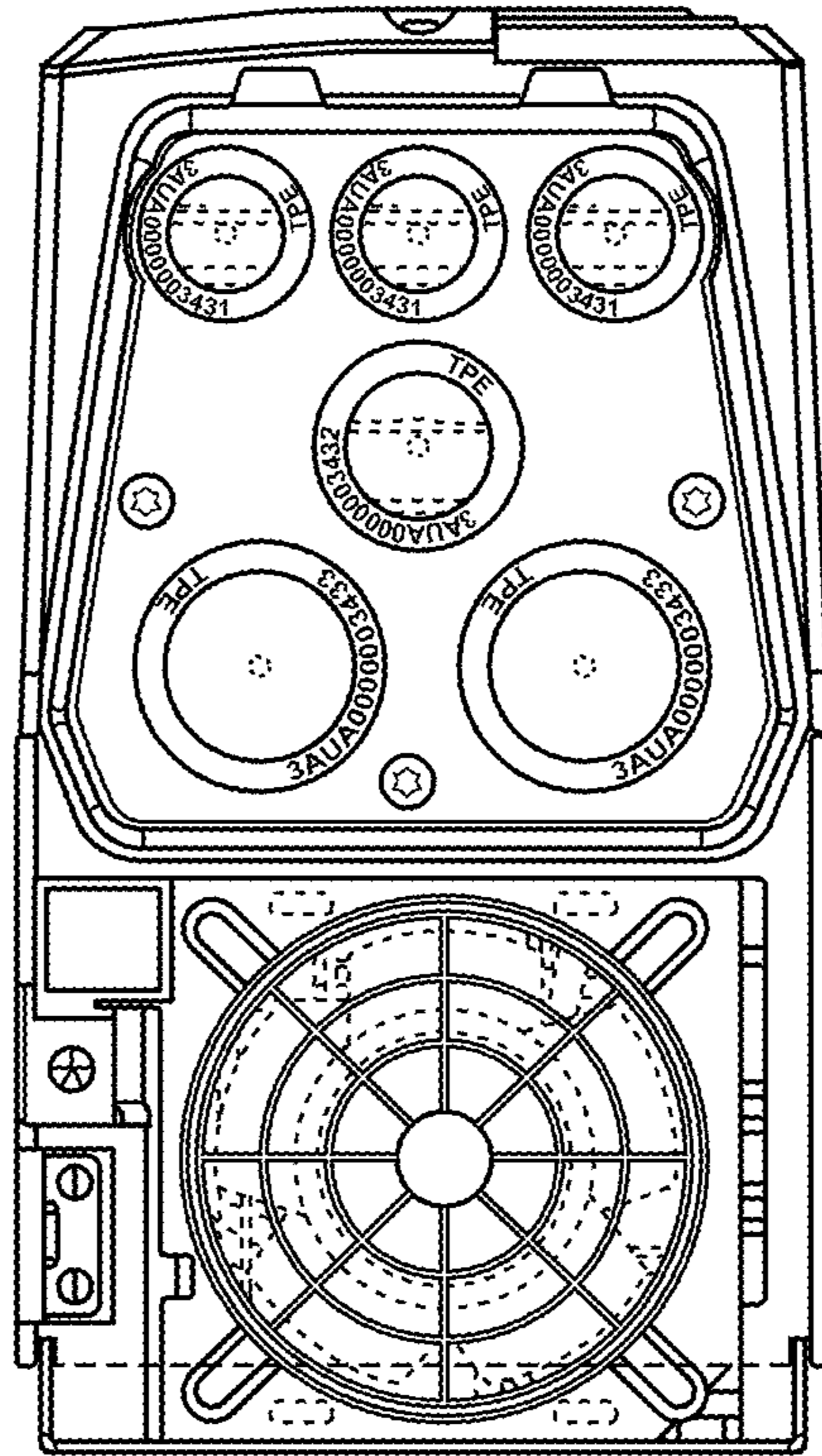


Fig.6

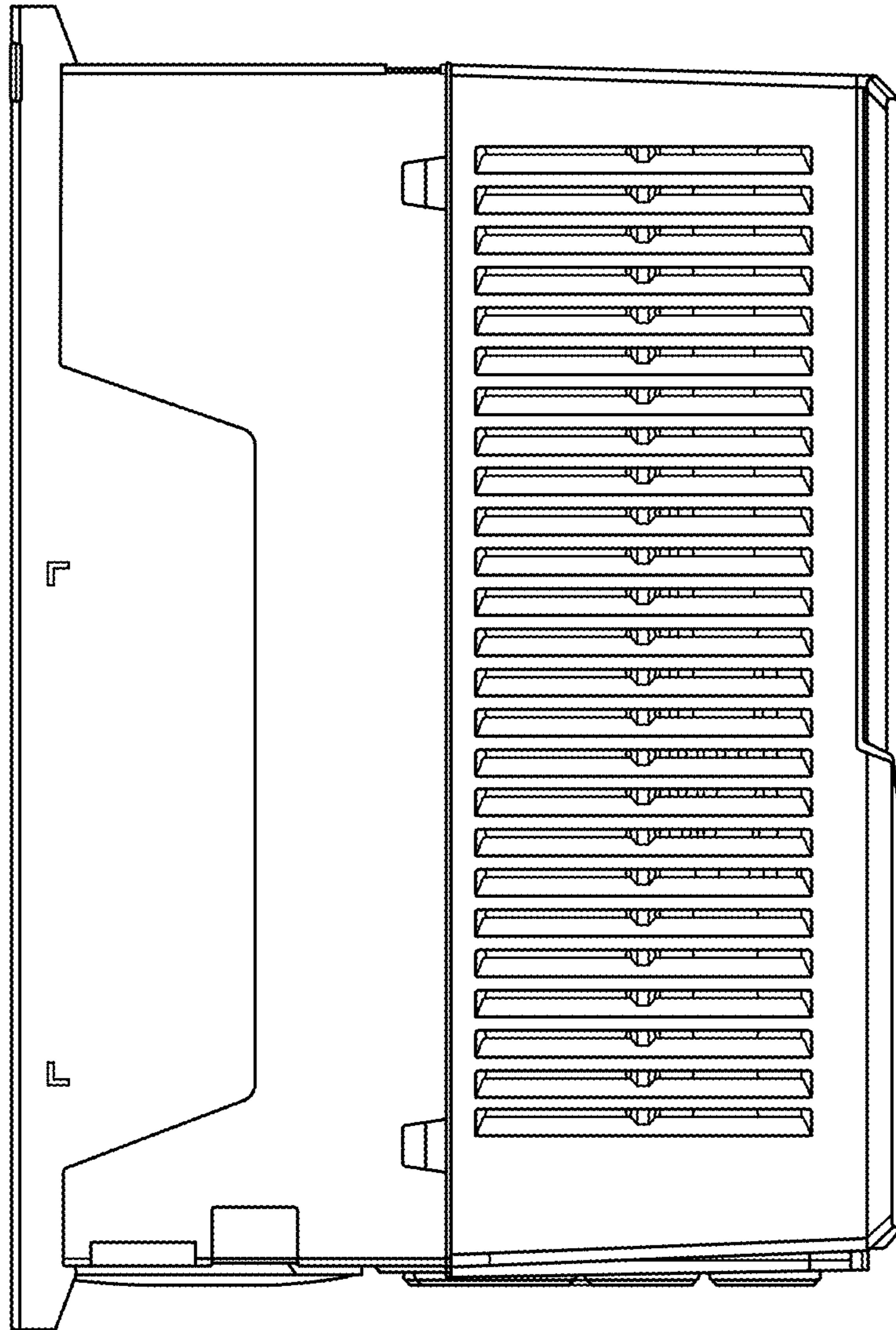


Fig.7

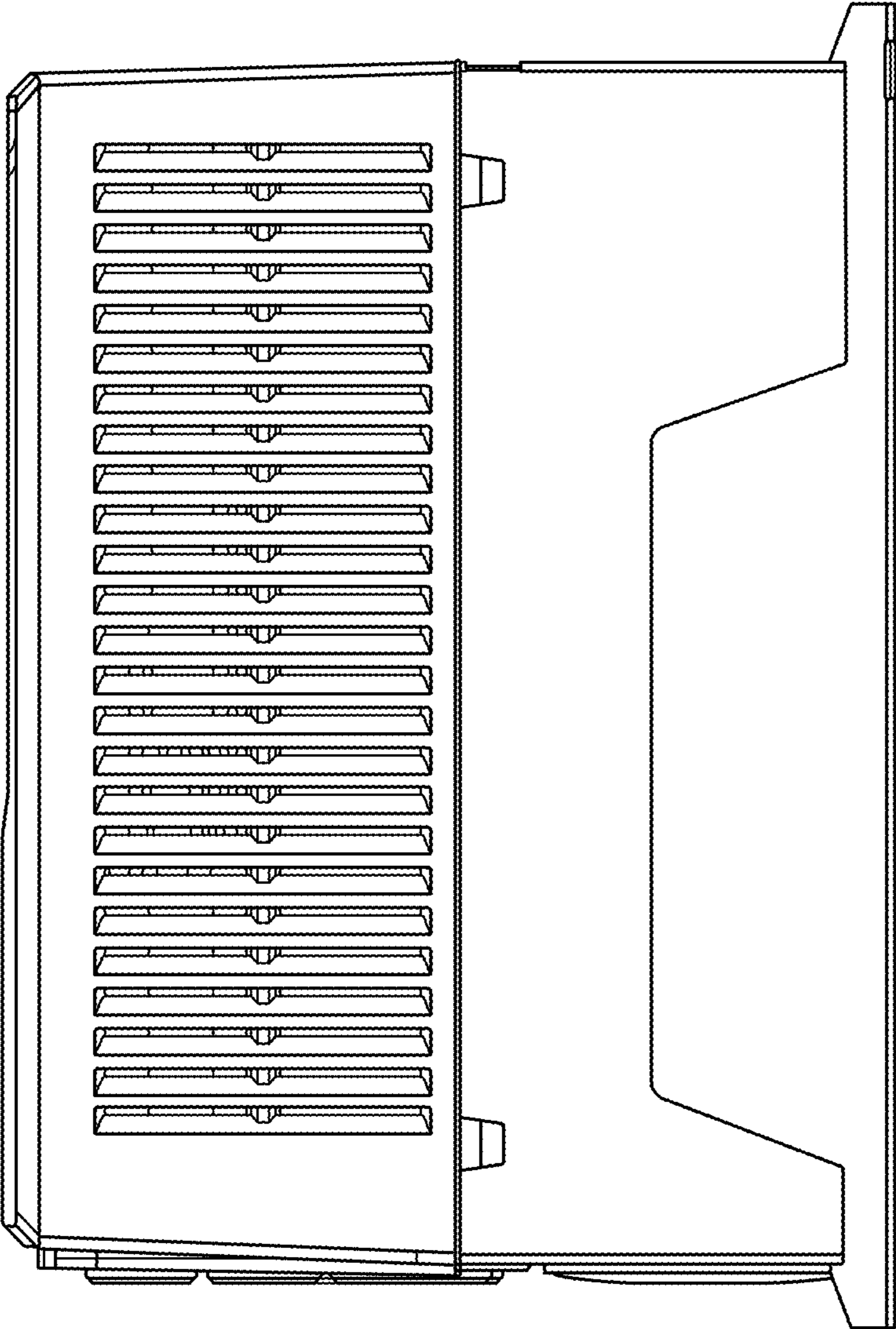


Fig.8