



US00D792847S

(12) **United States Design Patent**
Stone et al.

(10) **Patent No.:** **US D792,847 S**
(45) **Date of Patent:** **** Jul. 25, 2017**

- (54) **ULTRACAPACITOR MODULE**
- (71) Applicant: **Maxwell Technologies, Inc.**, San Diego, CA (US)
- (72) Inventors: **Kevin T. Stone**, San Diego, CA (US);
Steven Watts, San Diego, CA (US);
Steven Shelton, Escondido, CA (US);
Ishmael Rahimian, San Diego, CA (US)
- (73) Assignee: **Maxwell Technologies, Inc.**, San Diego, CA (US)
- (**) Term: **15 Years**
- (21) Appl. No.: **29/583,742**
- (22) Filed: **Nov. 8, 2016**

Related U.S. Application Data

- (62) Division of application No. 29/509,263, filed on Nov. 14, 2014, now Pat. No. Des. 774,456.
- (51) **LOC (10) Cl.** **13-03**
- (52) **U.S. Cl.**
USPC **D13/125**
- (58) **Field of Classification Search**
USPC D13/101, 118, 122-125, 133, 148, 149,
D13/154, 158-161, 182, 184, 199
CPC .. H01G 4/00; H01G 4/06; H01G 4/38; H01G
9/00; H02N 1/00; H05K 7/20
See application file for complete search history.

(56) **References Cited**

U.S. PATENT DOCUMENTS

- 3,377,530 A * 4/1968 Meyers H01G 4/38
361/275.2
- D212,361 S * 10/1968 Schular D13/179
- D216,797 S * 3/1970 Bowen et al. D13/125
- D246,453 S * 11/1977 Chermak D13/125

- 4,464,702 A * 8/1984 Miller H01G 4/38
361/328
- 4,633,369 A * 12/1986 Lapp H01G 4/38
24/DIG. 22
- 4,654,751 A * 3/1987 Tokura H01G 2/12
361/323
- D311,389 S * 10/1990 Festa D13/184
- D332,443 S * 1/1993 Sharpe D13/184
- D402,640 S * 12/1998 Witte D13/184
- 6,922,330 B2 * 7/2005 Nielsen A61N 1/375
29/25.03
- D547,720 S * 7/2007 Katoh D13/125
- D551,168 S * 9/2007 Katoh D13/125
- D551,622 S * 9/2007 Katoh D13/125
- D553,566 S * 10/2007 Katoh D13/125
- D759,593 S * 6/2016 Stone D13/125
- D774,456 S * 12/2016 Stone D13/125
- 2006/0039099 A1 * 2/2006 Oizumi H01G 9/155
361/502

(Continued)

Primary Examiner — Elizabeth J Oswecki

(74) *Attorney, Agent, or Firm* — Knobbe Martens Olson & Bear LLP

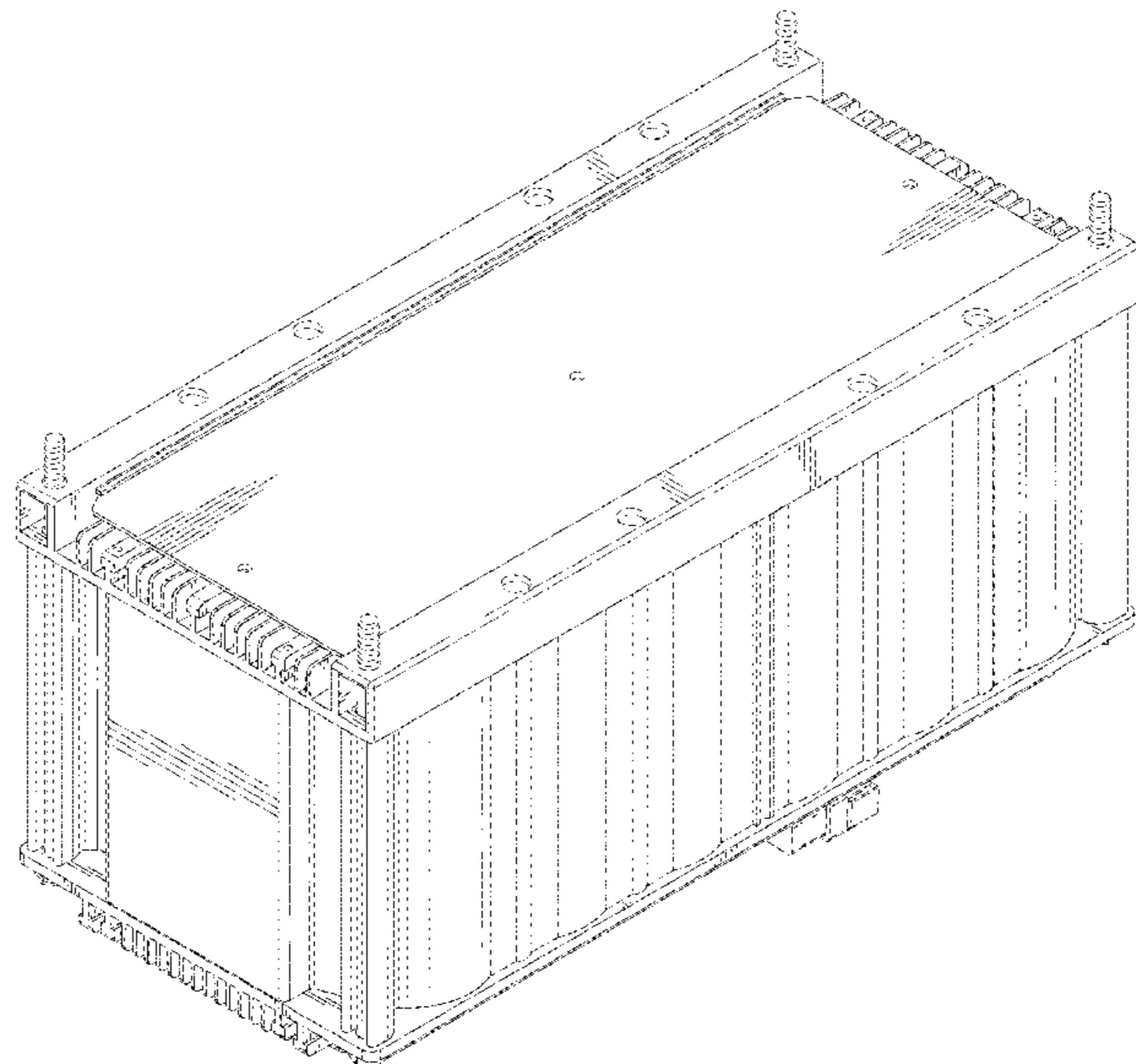
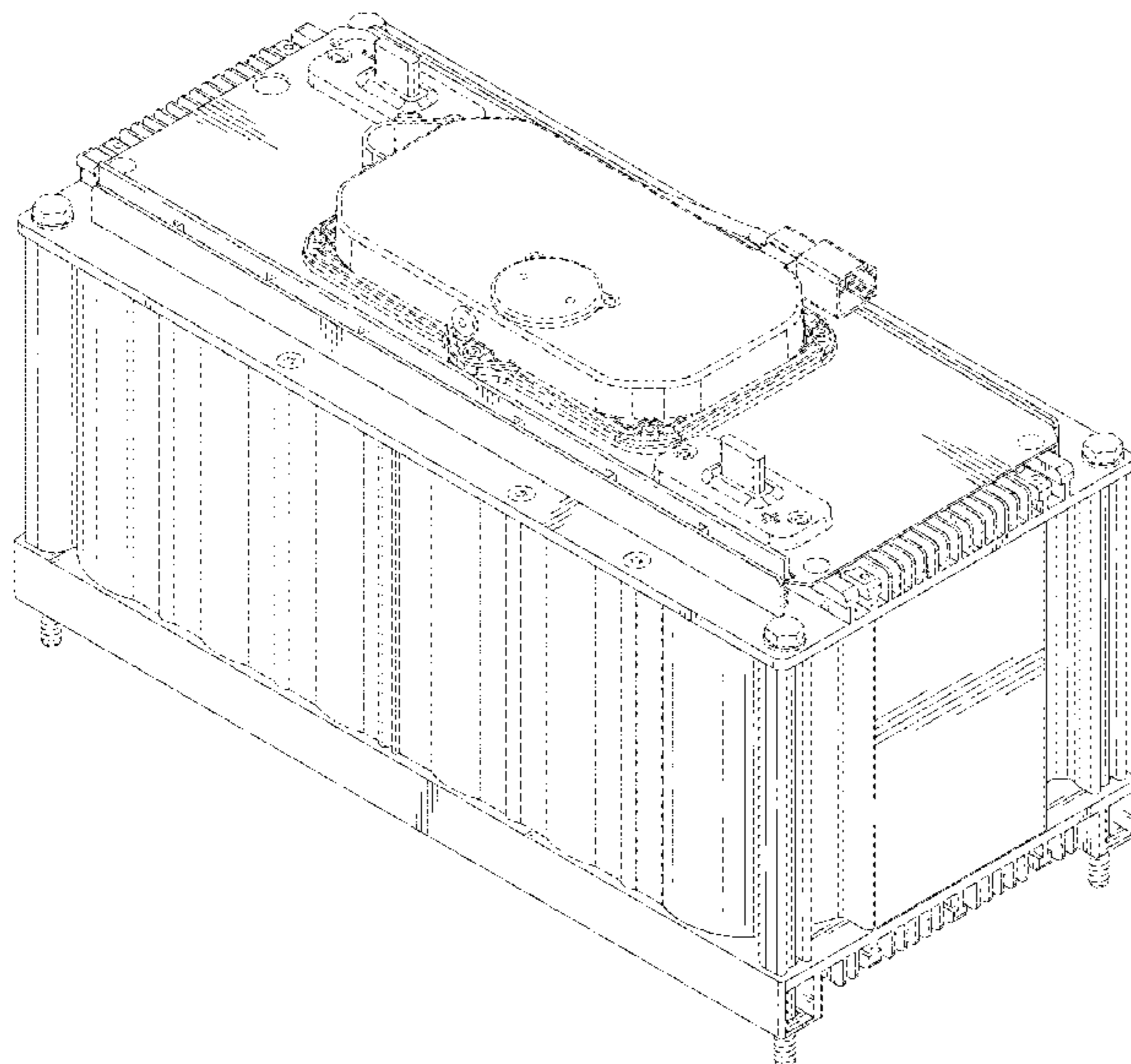
(57) **CLAIM**

The ornamental design for an ultracapacitor module, as shown and described.

DESCRIPTION

FIG. 1 is a top perspective view of an ultracapacitor module showing our new design;
 FIG. 2 is a bottom perspective view thereof;
 FIG. 3 is a front view thereof;
 FIG. 4 is a rear view thereof;
 FIG. 5 is a left side view thereof;
 FIG. 6 is a right side view thereof;
 FIG. 7 is a top view thereof; and,
 FIG. 8 is a bottom view thereof.
 The broken lines in the drawings form no part of the claimed design.

1 Claim, 7 Drawing Sheets



(56)

References Cited

U.S. PATENT DOCUMENTS

2006/0262482 A1* 11/2006 Yamamoto H01G 9/008
361/329
2012/0206877 A1* 8/2012 Park H01G 2/08
361/689

* cited by examiner

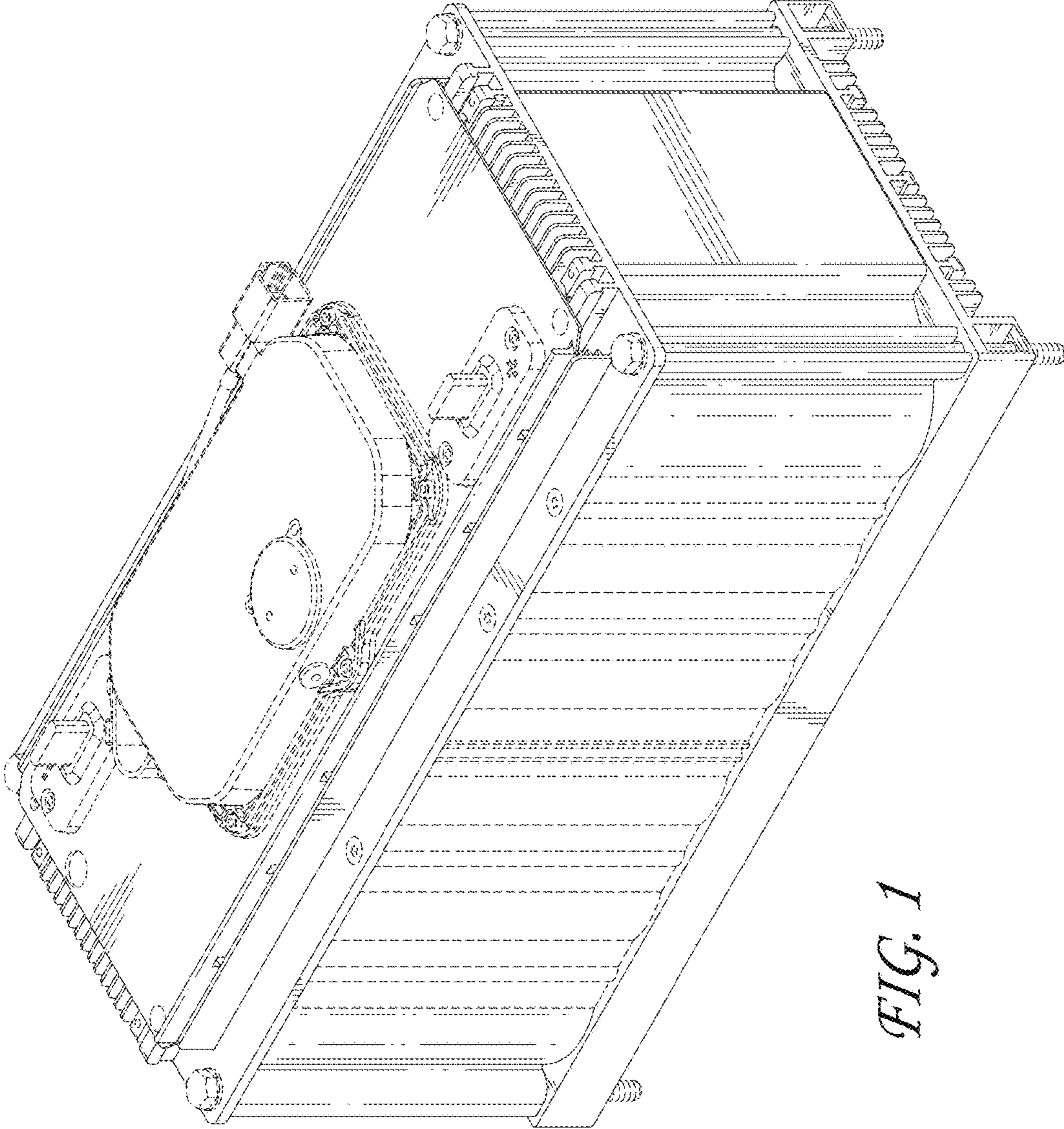


FIG. 1

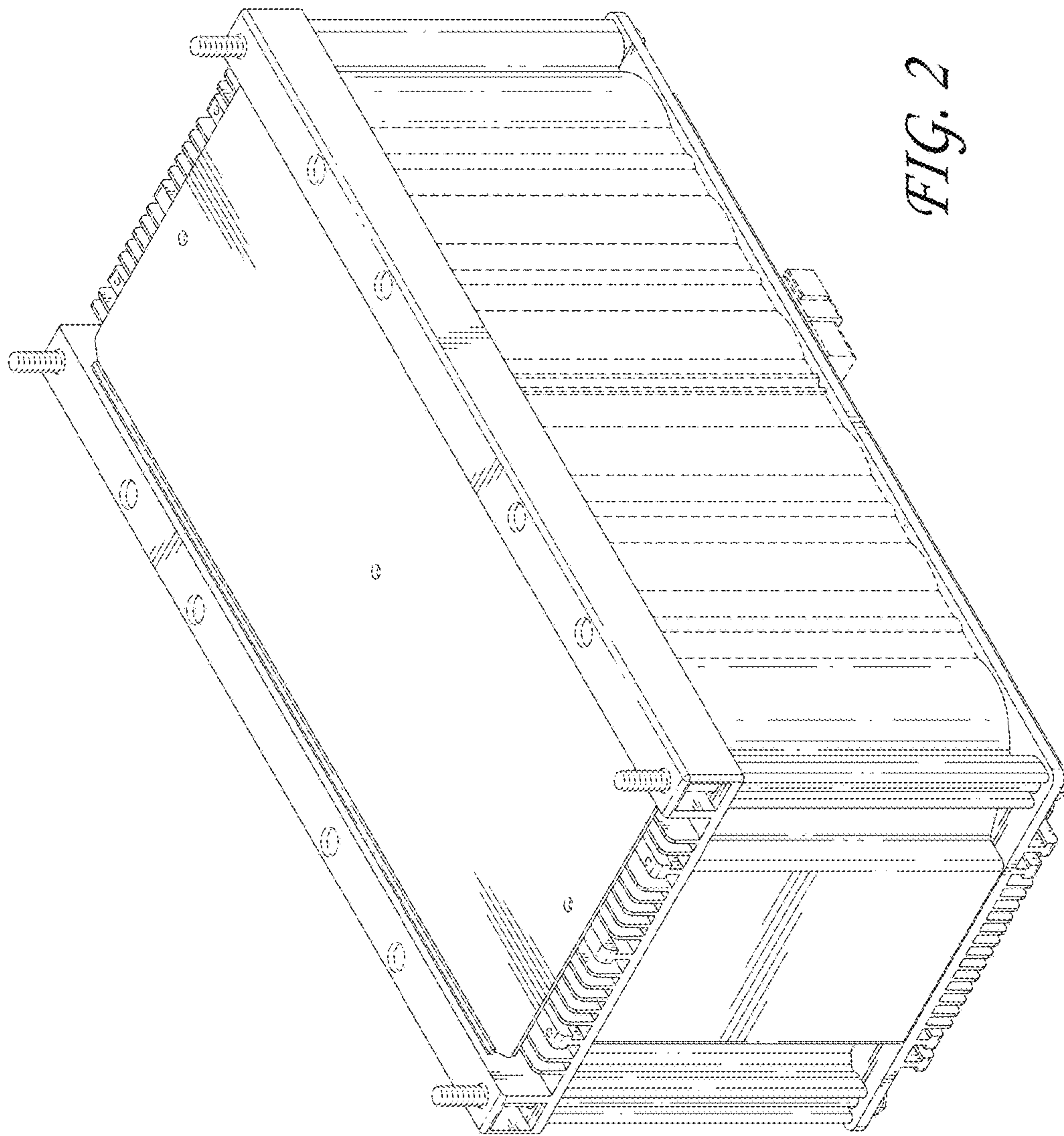


FIG. 2

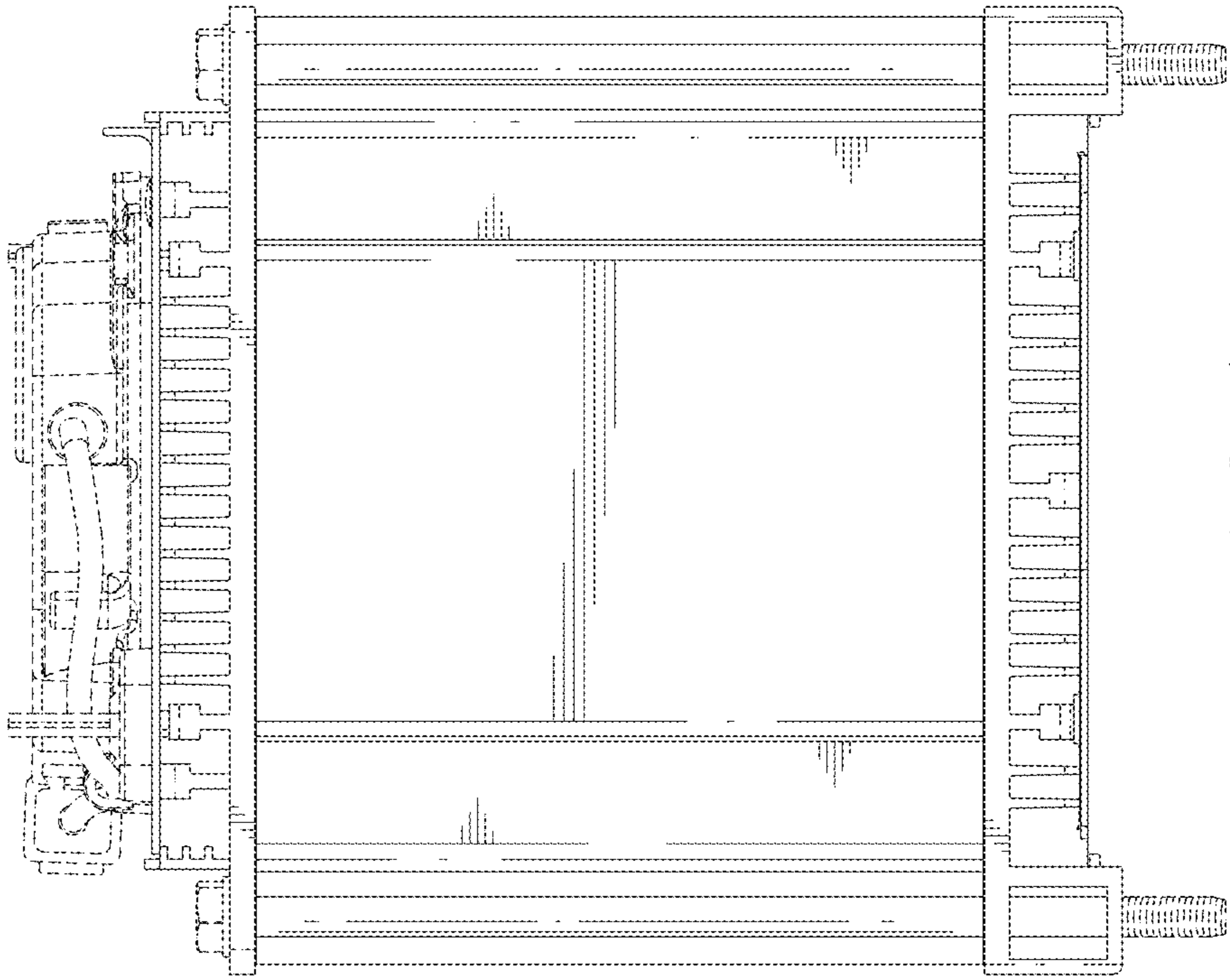


FIG. 4

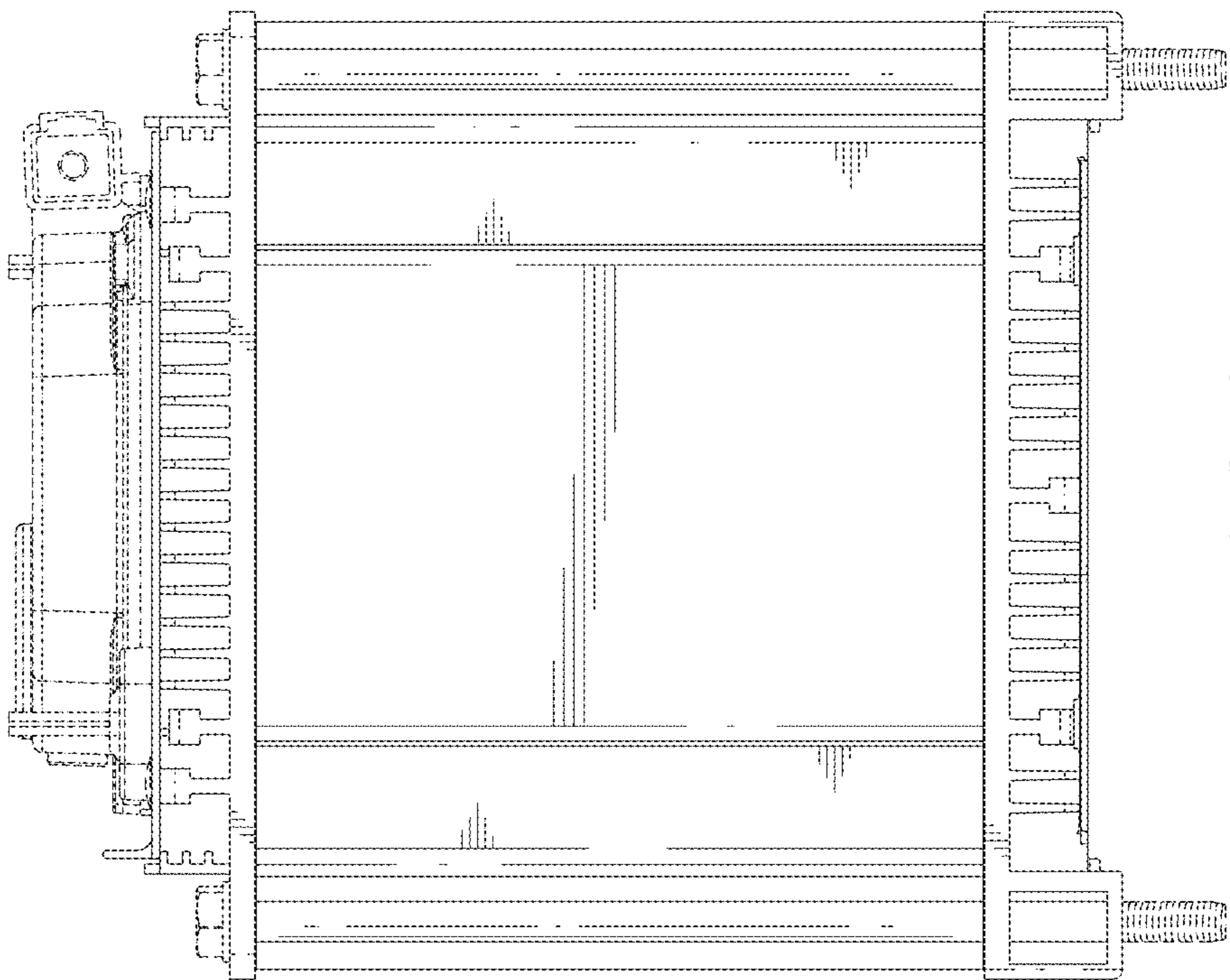


FIG. 3

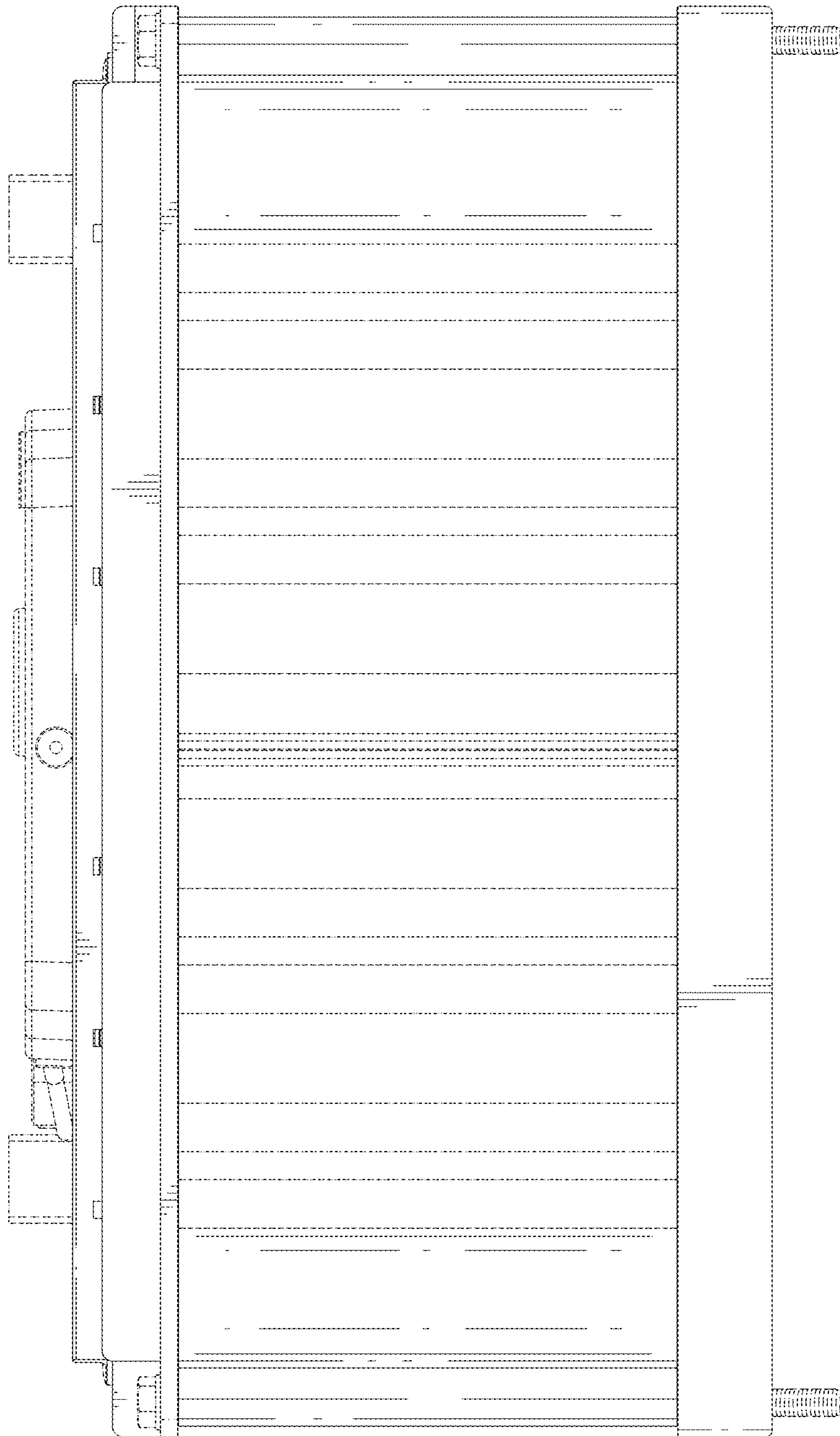


FIG. 5

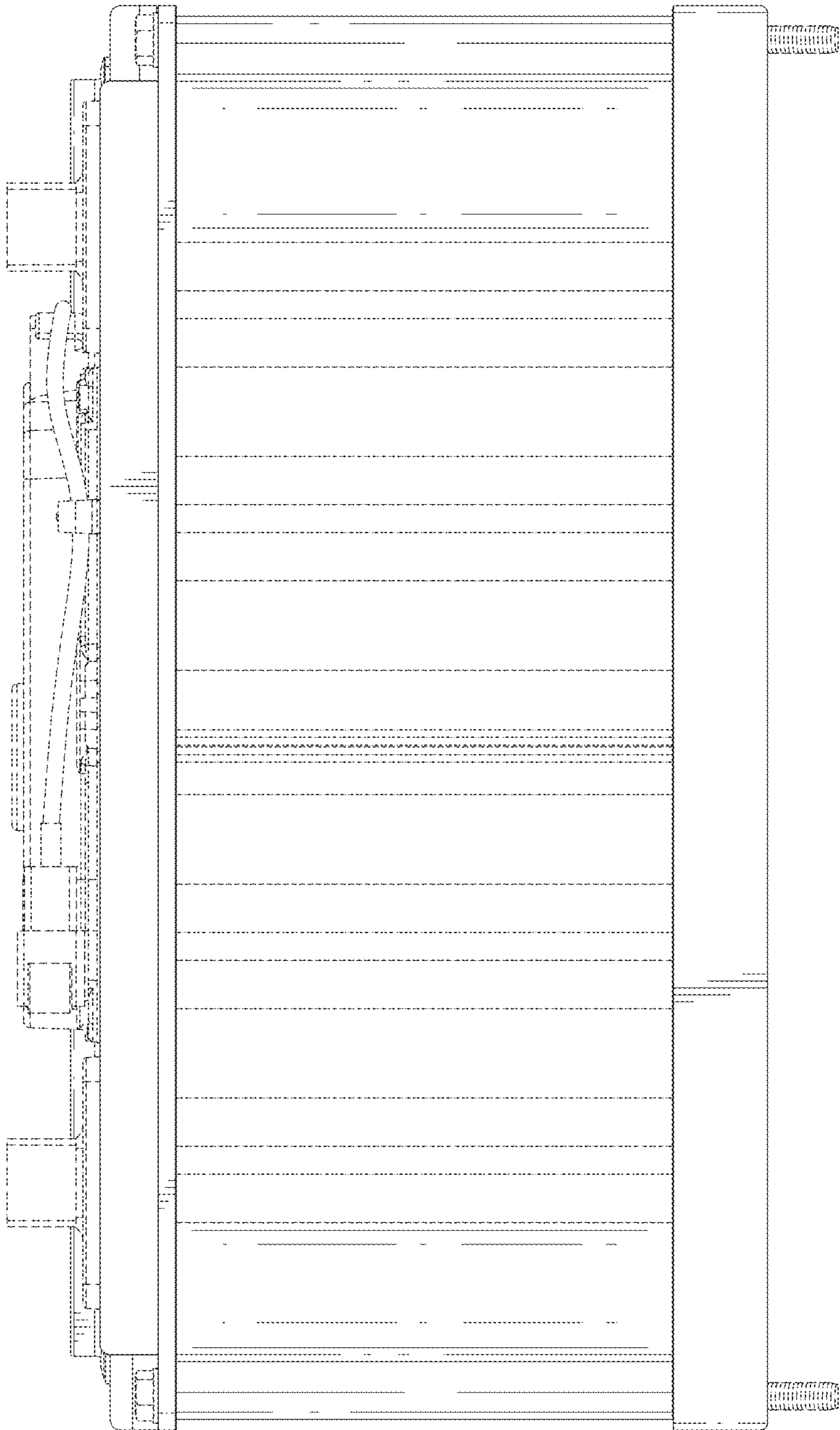


FIG. 6

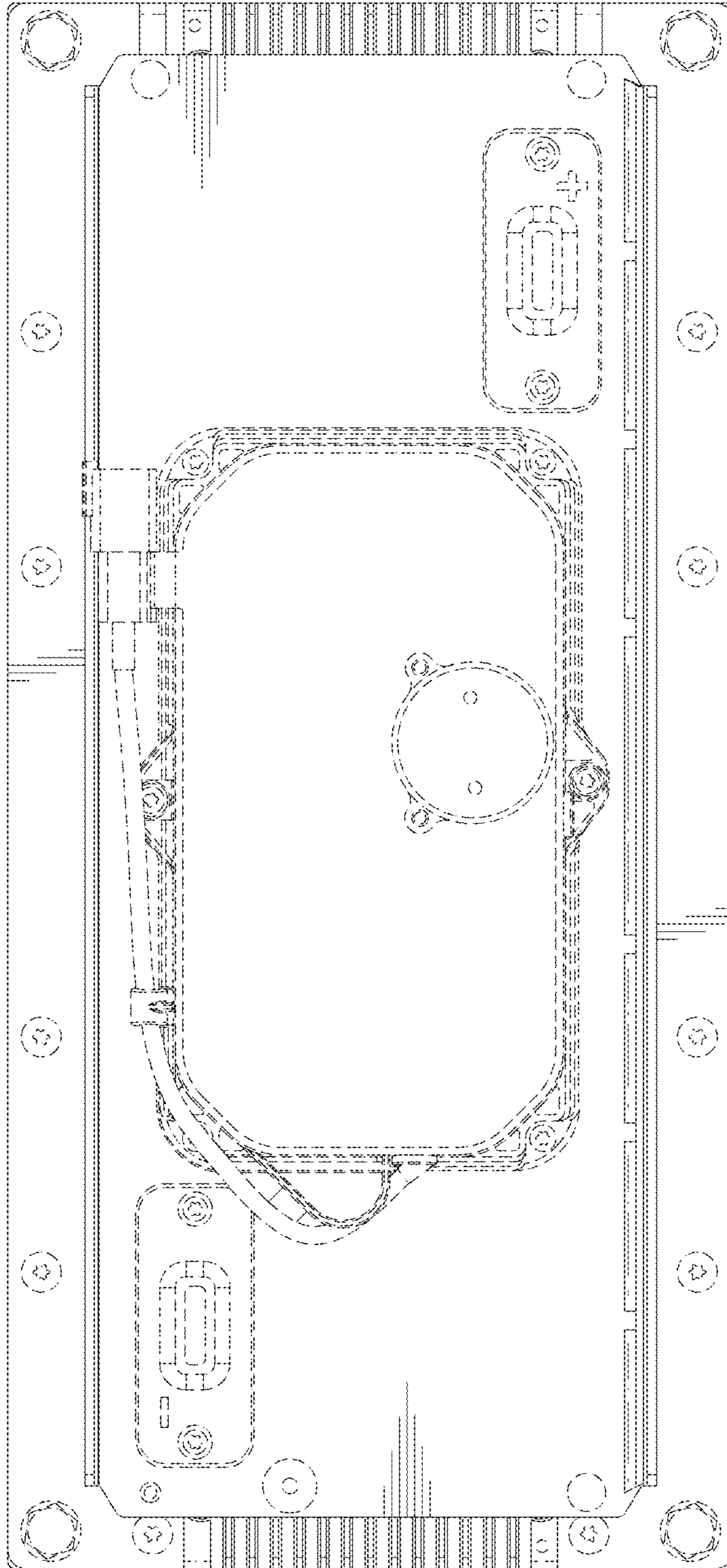


FIG. 7

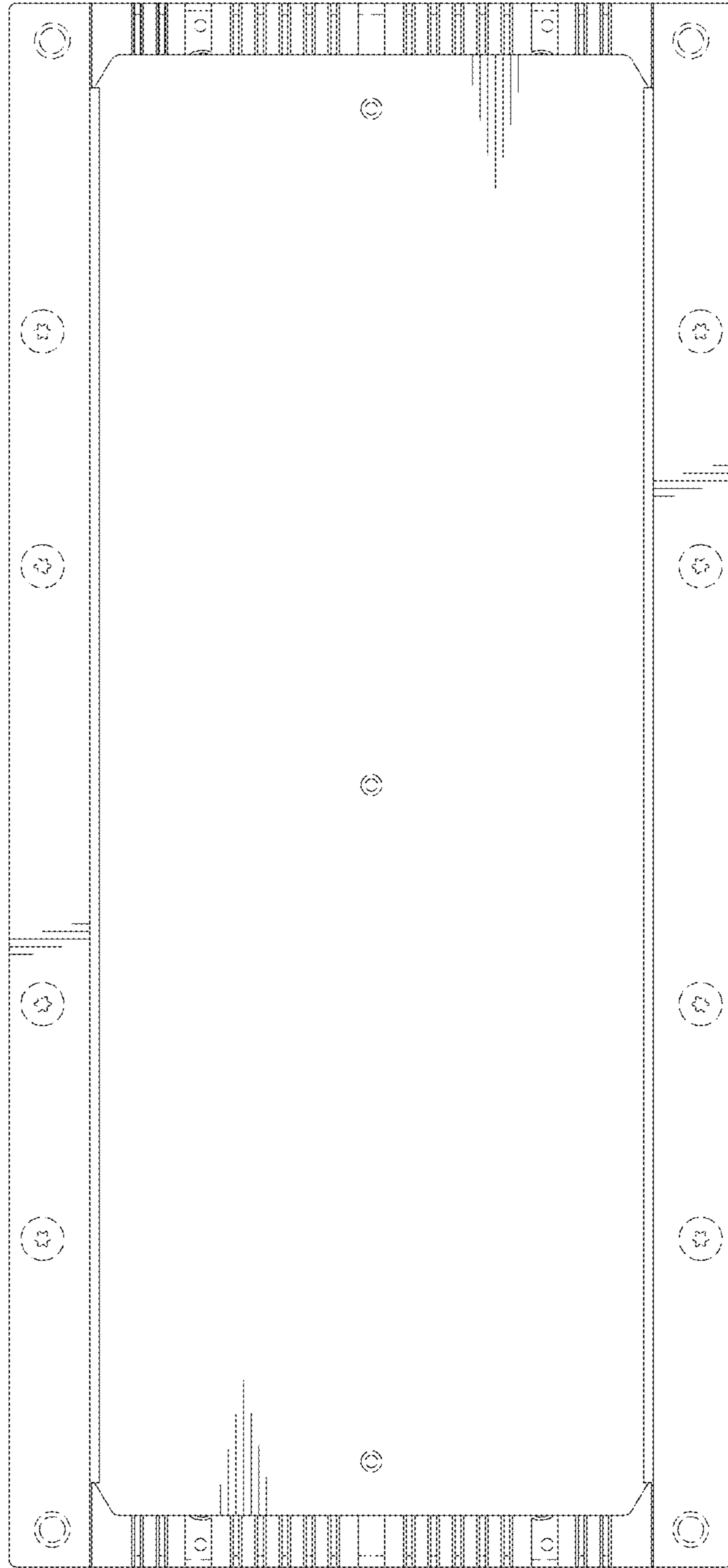


FIG. 8