



US00D792845S

(12) **United States Design Patent**
Morenstein et al.

(10) **Patent No.:** **US D792,845 S**

(45) **Date of Patent:** **** Jul. 25, 2017**

(54) **CHARGING STAND**

(71) Applicant: **POLYERA CORPORATION**, Skokie, IL (US)

(72) Inventors: **Josh Morenstein**, San Francisco, CA (US); **Nick Cronan**, San Francisco, CA (US); **Tobias Toft**, San Francisco, CA (US); **Philippe Inagaki**, Skokie, IL (US); **Christian Scott Ross**, San Francisco, CA (US)

(73) Assignee: **Flexterra, Inc.**, Skokie, IL (US)

(**) Term: **15 Years**

(21) Appl. No.: **29/532,227**

(22) Filed: **Jul. 2, 2015**

(51) **LOC (10) Cl.** **13-02**

(52) **U.S. Cl.**
USPC **D13/108**

(58) **Field of Classification Search**
USPC D13/102–110, 118–119, 184, 199;
D14/356, 432, 251, 253, 434
CPC Y02E 60/12; Y02E 60/122; Y02E 60/124;
Y02E 60/50; H01M 2/02; H01M 2/022;
H01M 2/0202; H01M 2/0207; H01M
2/0212; H01M 2/1061; H01M 2/1022;
H01M 2/1055; H01M 2/1066; H01M
2/105; H01M 2/204; H01M 10/4257;
H01M 10/0436; H01M 10/48; H01M
10/44; H01M 10/46; H01M 10/425; B60L
11/182; Y02T 90/14; Y02T 90/122; Y02T
90/128; Y02T 90/163; H02J 7/025; H02J
7/0042; H02J 7/0044; H02J 7/0045; H02J
7/0003; H01F 38/14; H01R 13/6675
See application file for complete search history.

(56) **References Cited**

U.S. PATENT DOCUMENTS

D409,623 S * 5/1999 Bianco D13/184
D552,542 S * 10/2007 Croley D13/119

D556,130 S * 11/2007 Tajima D13/119
D622,659 S * 8/2010 Soeda D13/103
D631,835 S * 2/2011 Neidhart D13/103
D660,787 S * 5/2012 Lambert D13/103
D686,148 S * 7/2013 Inaba D13/103
D725,590 S * 3/2015 Clyne D13/103
D735,134 S * 7/2015 Dasbach D13/110
D752,510 S * 3/2016 Lin D13/103
D758,961 S * 6/2016 Aoyagi D13/103

(Continued)

Primary Examiner — Rosemary K Tarcza

Assistant Examiner — Nathaniel D Buckner

(74) *Attorney, Agent, or Firm* — Karen K. Chan

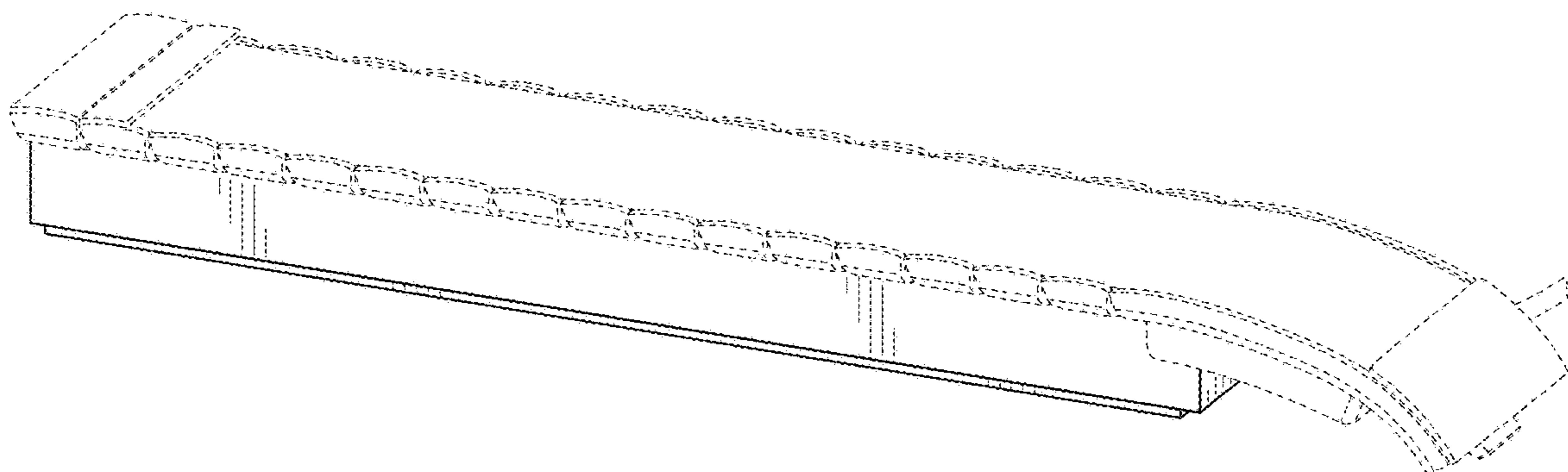
(57) **CLAIM**

The ornamental design for a charging stand, as shown and described.

DESCRIPTION

FIG. 1 is a left, front perspective view of a charging stand of the present invention;
FIG. 2 is a left elevation view of the invention illustrated in FIG. 1;
FIG. 3 is a right elevation view of the invention illustrated in FIG. 1;
FIG. 4 is an elevation view of the invention illustrated in FIG. 1;
FIG. 5 is an elevation view of the invention illustrated in FIG. 1;
FIG. 6 is a top plan view of the invention illustrated in FIG. 1;
FIG. 7 is a bottom plan view of the invention illustrated in FIG. 1; and,
FIG. 8 is a left, front perspective view of the invention illustrated in FIG. 1, shown in an environment of use.
The broken lines in the figure represent portions of the article which form no part of the claimed design.

1 Claim, 5 Drawing Sheets



(56)

References Cited

U.S. PATENT DOCUMENTS

2005/0110456 A1* 5/2005 Jeong H01M 2/1094
320/111
2016/0345472 A1* 11/2016 Park H02J 7/025

* cited by examiner

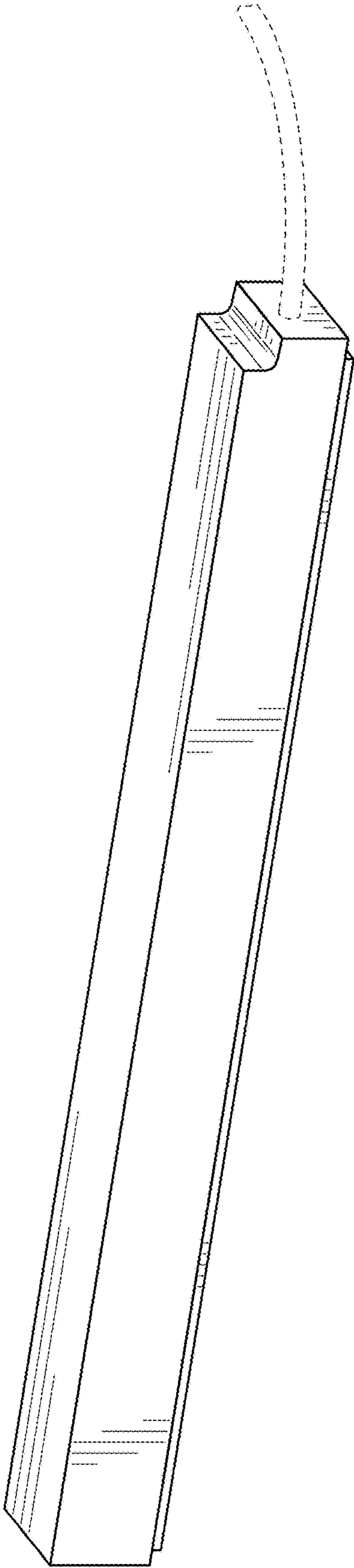


FIG. 1

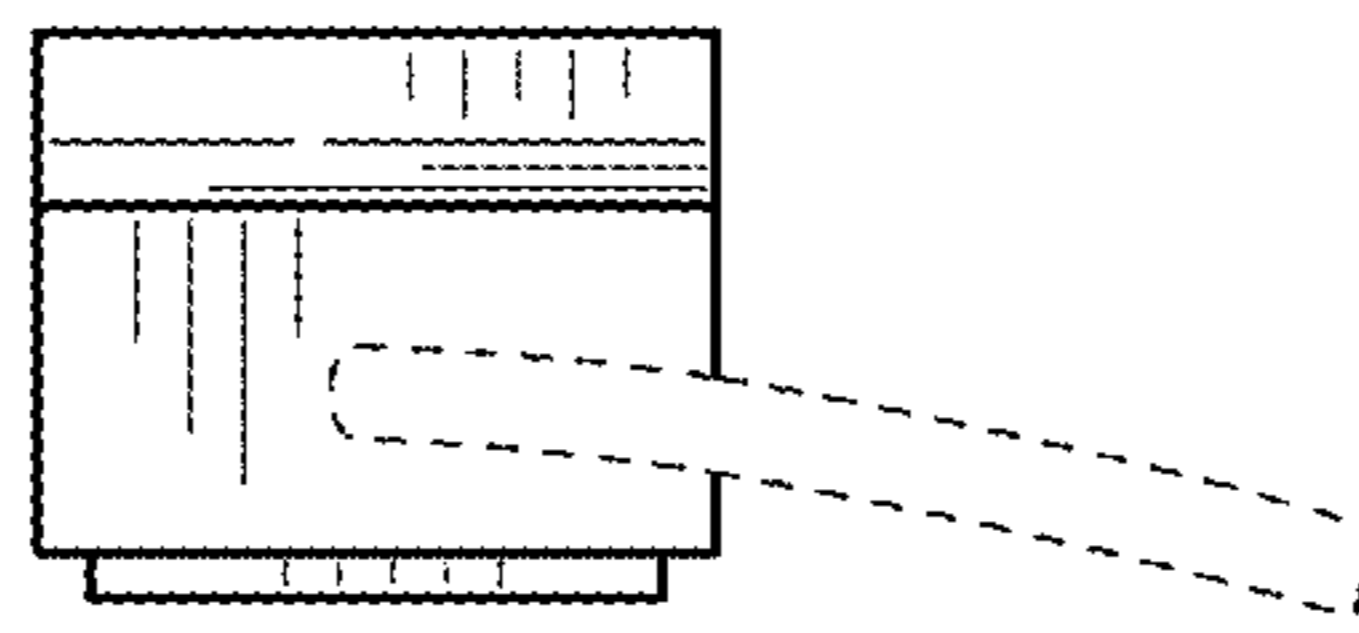


FIG. 2

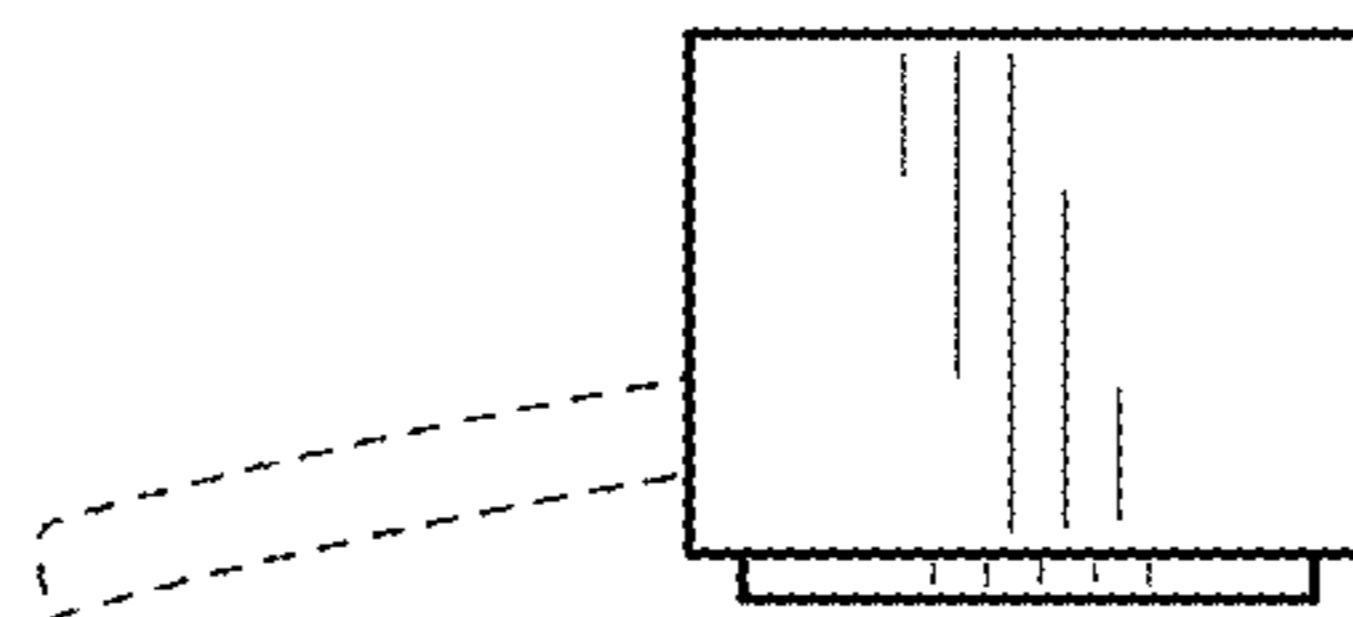


FIG. 3

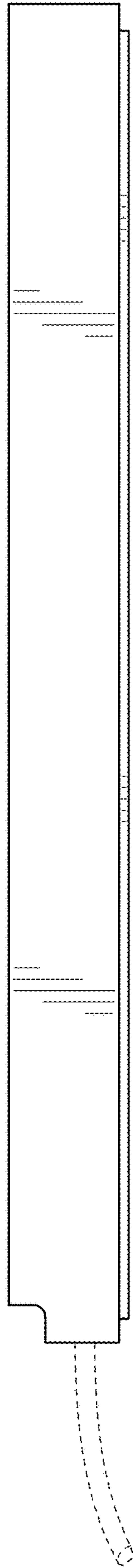


FIG. 4

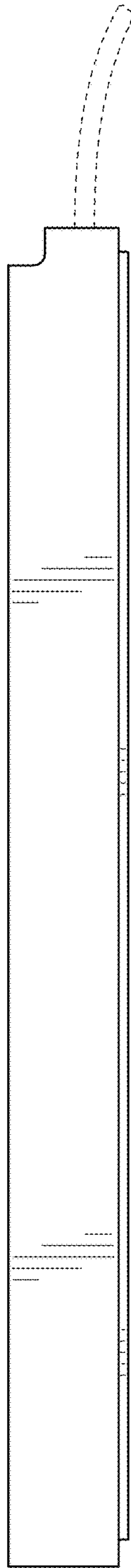


FIG. 5

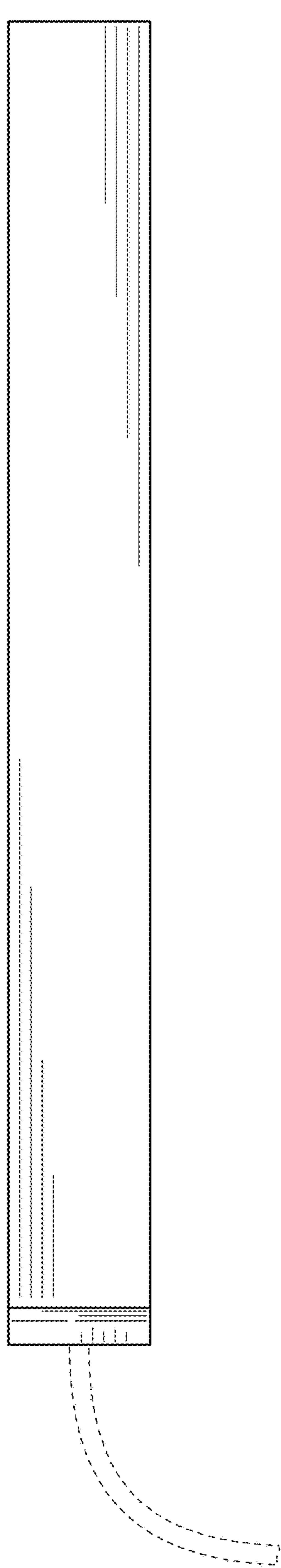


FIG. 6

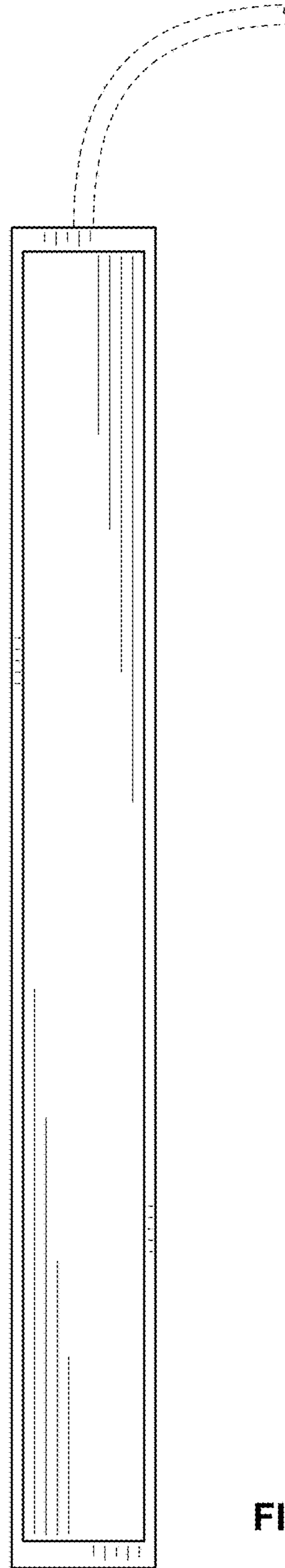


FIG. 7

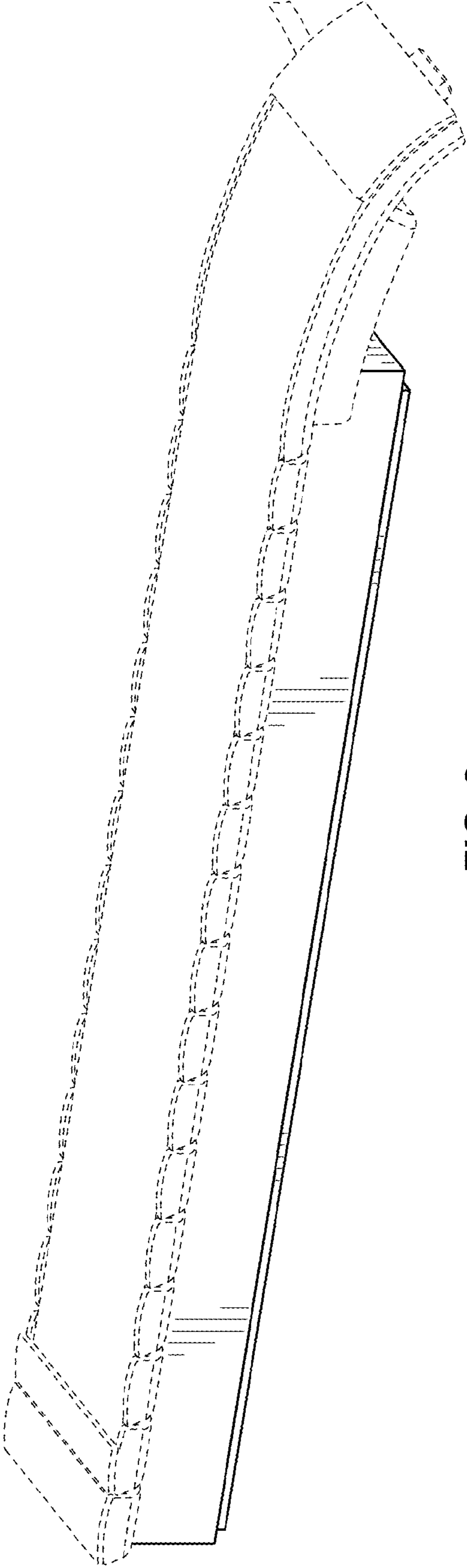


FIG. 8