



US00D792838S

(12) **United States Design Patent**
Thieman

(10) **Patent No.:** **US D792,838 S**
(45) **Date of Patent:** **** Jul. 25, 2017**

(54) **TIRE TREAD**

(71) Applicant: **COOPER TIRE & RUBBER COMPANY**, Findlay, OH (US)

(72) Inventor: **Kurt A. Thieman**, Findlay, OH (US)

(73) Assignee: **COOPER TIRE & RUBBER COMPANY**, Findlay, OH (US)

(**) Term: **15 Years**

(21) Appl. No.: **29/548,467**

(22) Filed: **Dec. 14, 2015**

(51) **LOC (10) Cl.** **12-15**

(52) **U.S. Cl.**
USPC **D12/591**

(58) **Field of Classification Search**
USPC D12/586, 587, 588, 589, 590, 591, 595, D12/600
CPC B60C 11/0306; B60C 2011/0388
See application file for complete search history.

(56) **References Cited**

U.S. PATENT DOCUMENTS

D379,954 S * 6/1997 Matsuda D12/590

D696,184 S * 12/2013 Choi D12/591

* cited by examiner

Primary Examiner — Robert M Spear

(74) *Attorney, Agent, or Firm* — Fay Sharpe LLP

(57) **CLAIM**

The ornamental design for a tire tread, as shown and described.

DESCRIPTION

FIG. 1 is a perspective view of a tire tread showing my new design;
FIG. 2 is a front view thereof; and,
FIG. 3 is a side view thereof.
The other side of the tire is identical to FIG. 3. The broken line showings of the sidewall, inner bead, shoulder tread, and the peripheral boundary between the tire tread and the sidewall are included for the purpose of illustrating environment and form no part of the claim.

1 Claim, 3 Drawing Sheets

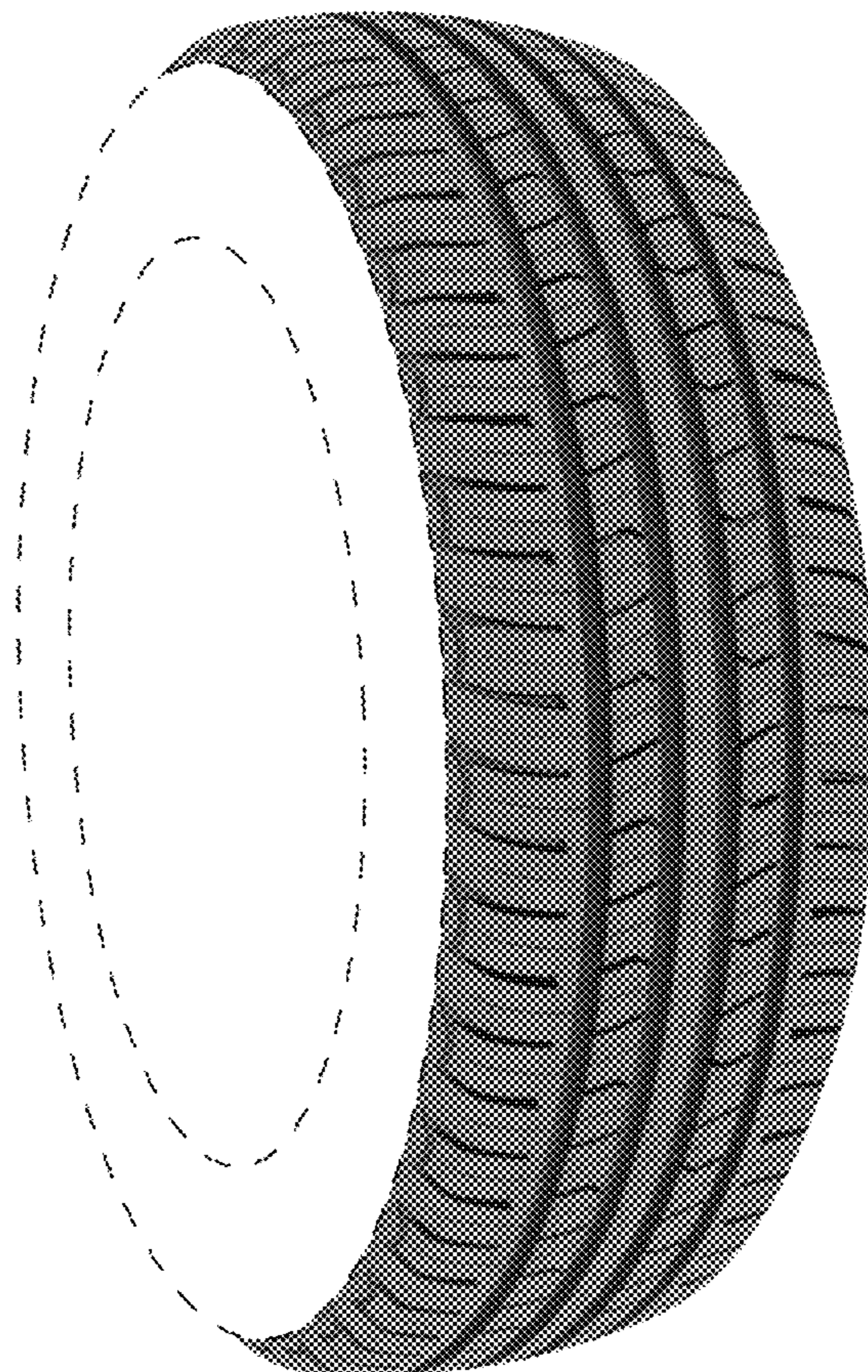




FIG. 1

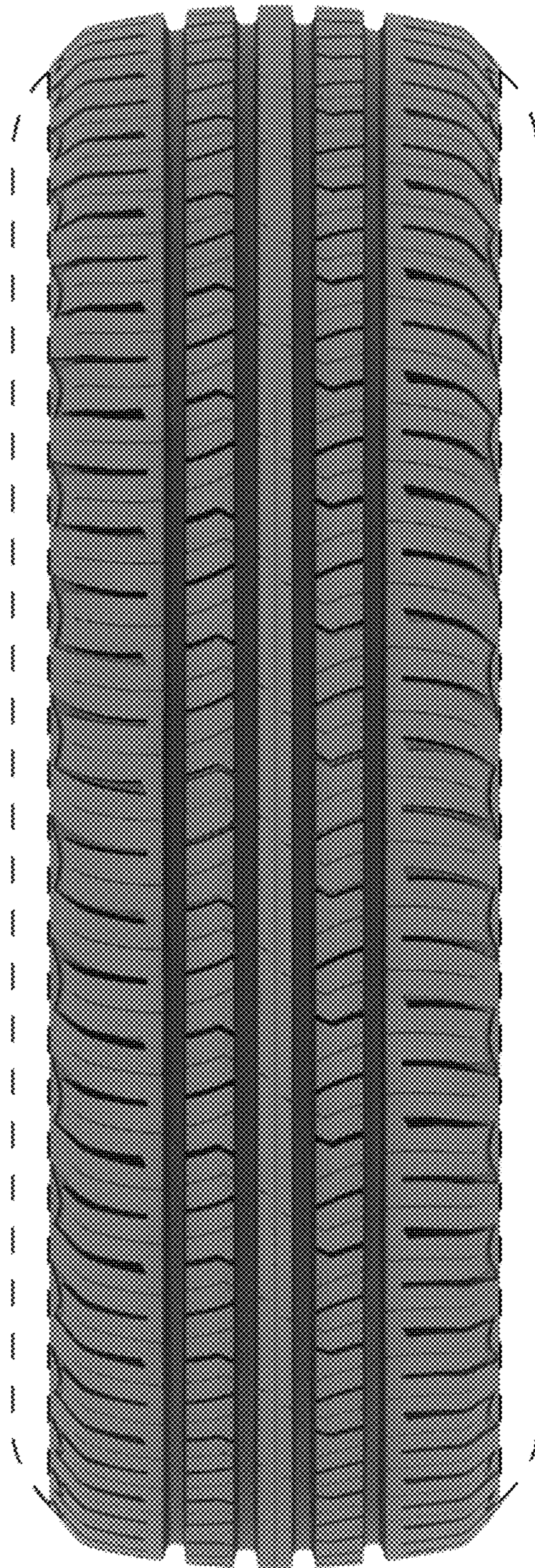


FIG. 2

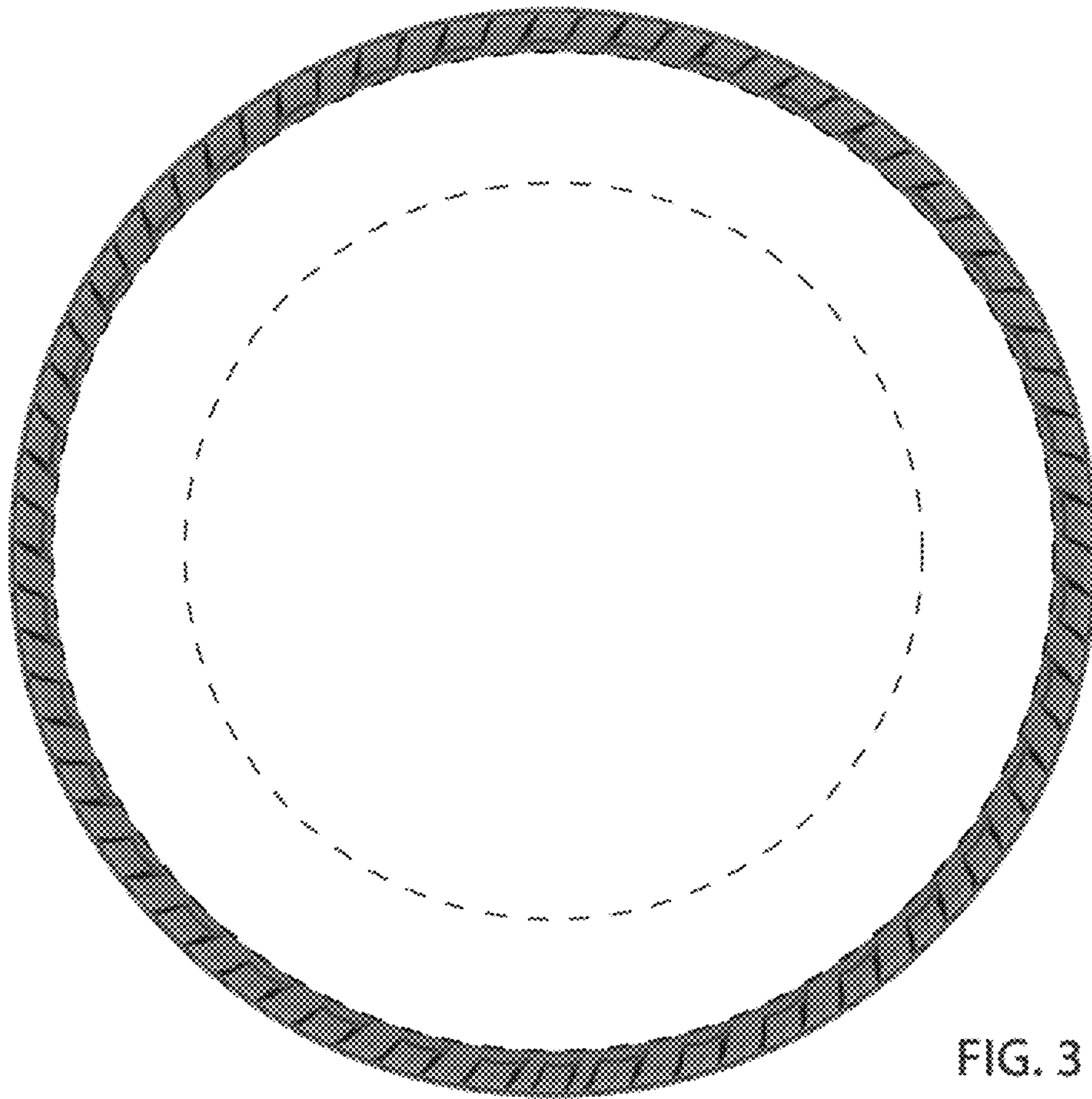


FIG. 3