



US00D792834S

(12) **United States Design Patent** (10) **Patent No.:** **US D792,834 S**
Ito et al. (45) **Date of Patent:** **** Jul. 25, 2017**

(54) **CENTER CONSOLE FOR A TRUCK VEHICLE**

(71) Applicant: **International Truck Intellectual Property Company, LLC**, Lisle, IL (US)

(72) Inventors: **Chris Isamu Ito**, Suger Grove, IL (US); **Christian Michael Hardin**, Waterford, MI (US); **John Ho Song**, Palatine, IL (US); **Robert P. Scott**, Aurora, IL (US); **Benjamin Anthony Kuzmicz**, Naperville, IL (US); **Mitchell E. Auerbach**, Plainfield, IL (US); **Stephen C. Aris**, Ann Arbor, MI (US)

(73) Assignee: **International Truck Intellectual Property Company, LLC**, Lisle, IL (US)

(**) Term: **15 Years**

(21) Appl. No.: **29/566,438**

(22) Filed: **May 31, 2016**

(51) **LOC (10) Cl.** **12-16**

(52) **U.S. Cl.**
USPC **D12/419**

(58) **Field of Classification Search**
USPC D12/415, 419, 418, 422, 421, 424, 425, D12/426, 190, 192, 195, 191, 106, 345, D12/96, 99, 400, 414, 416, 417, 420, 110, D12/114; D15/17, 28; D10/46, 98, 102, D10/103, 122, 123, 124, 125, 126, 127
CPC B60R 7/04; B60R 7/08
See application file for complete search history.

(56) **References Cited**

U.S. PATENT DOCUMENTS

D352,495 S * 11/1994 Mawhinney D12/419
D430,535 S * 9/2000 Smith D12/419

D444,120 S * 6/2001 Smith D12/419
D447,998 S * 9/2001 Pfeiffer D12/415
D448,000 S * 9/2001 Pfeiffer D12/419
D448,001 S * 9/2001 Pfeiffer D12/419
D460,635 S * 7/2002 Lieberman D12/419
D461,161 S * 8/2002 Hoy D12/419
D472,871 S * 4/2003 Ramos D12/419
D525,933 S * 8/2006 Lee et al.
D526,953 S * 8/2006 Hall D12/419
D724,004 S * 3/2015 McFarlin D12/419
D735,636 S * 8/2015 Wragg D12/419
D778,797 S * 2/2017 Ito D12/192

* cited by examiner

Primary Examiner — Karen S Acker

Assistant Examiner — Jerry Hsu

(74) *Attorney, Agent, or Firm* — Jeffrey P. Calfa; Mark C. Bach

(57) **CLAIM**

The ornamental design for a center console for a truck vehicle, as shown and described.

DESCRIPTION

FIG. 1 is a left perspective view of the center console for a truck vehicle showing our new design;
FIG. 2 is a right perspective view of the center console for a truck vehicle of FIG. 1;
FIG. 3 is a front view of the center console for a truck vehicle of FIG. 1;
FIG. 4 is a rear view of the center console for a truck vehicle of FIG. 1;
FIG. 5 is a left side view of the center console for a truck vehicle of FIG. 1;
FIG. 6 is a right side view of the center console for a truck vehicle of FIG. 1;
FIG. 7 is a top plan view of the center console for a truck vehicle of FIG. 1; and,
FIG. 8 is a bottom view of the center console for a truck vehicle of FIG. 1.

1 Claim, 4 Drawing Sheets

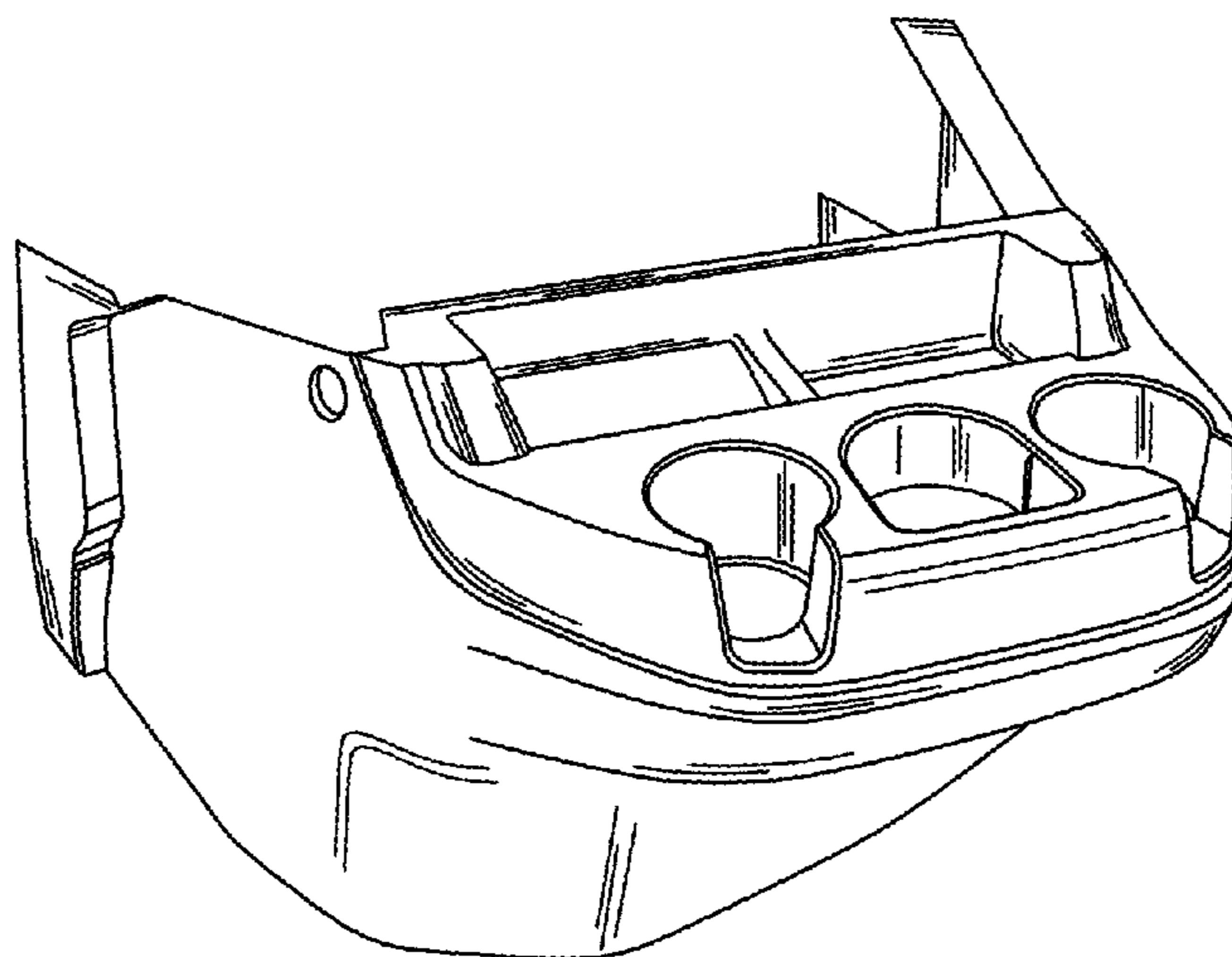


FIG. 1

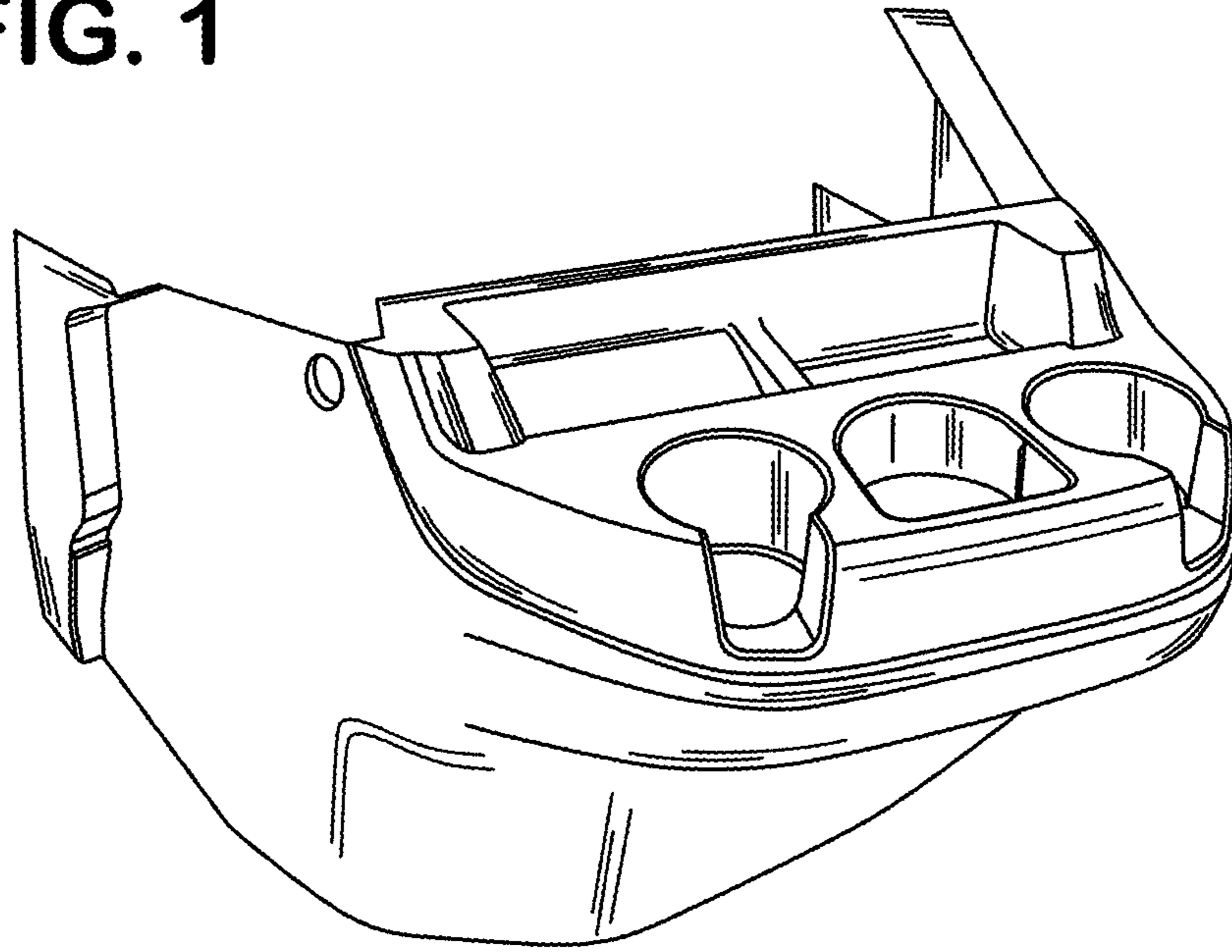


FIG. 2

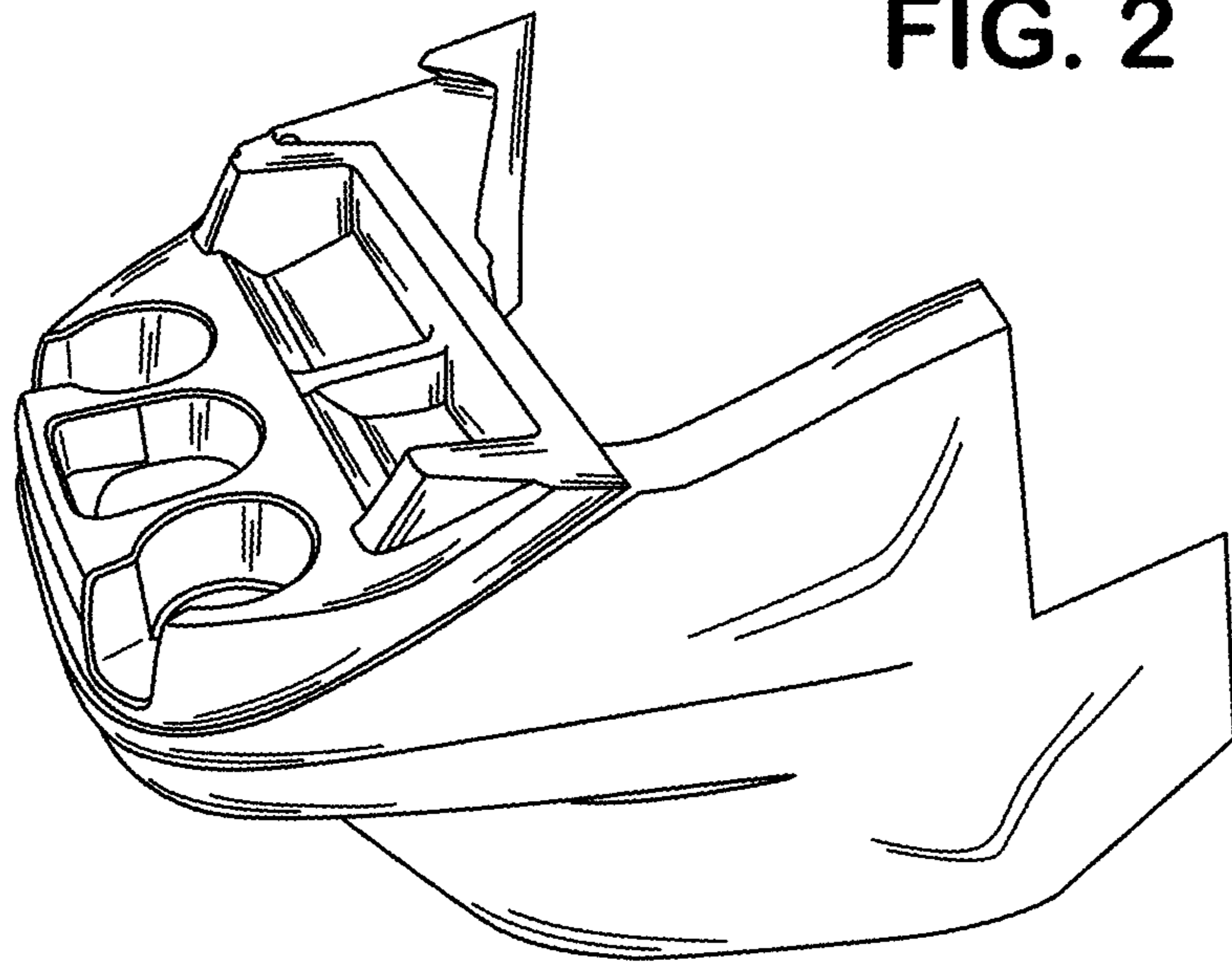


FIG. 3

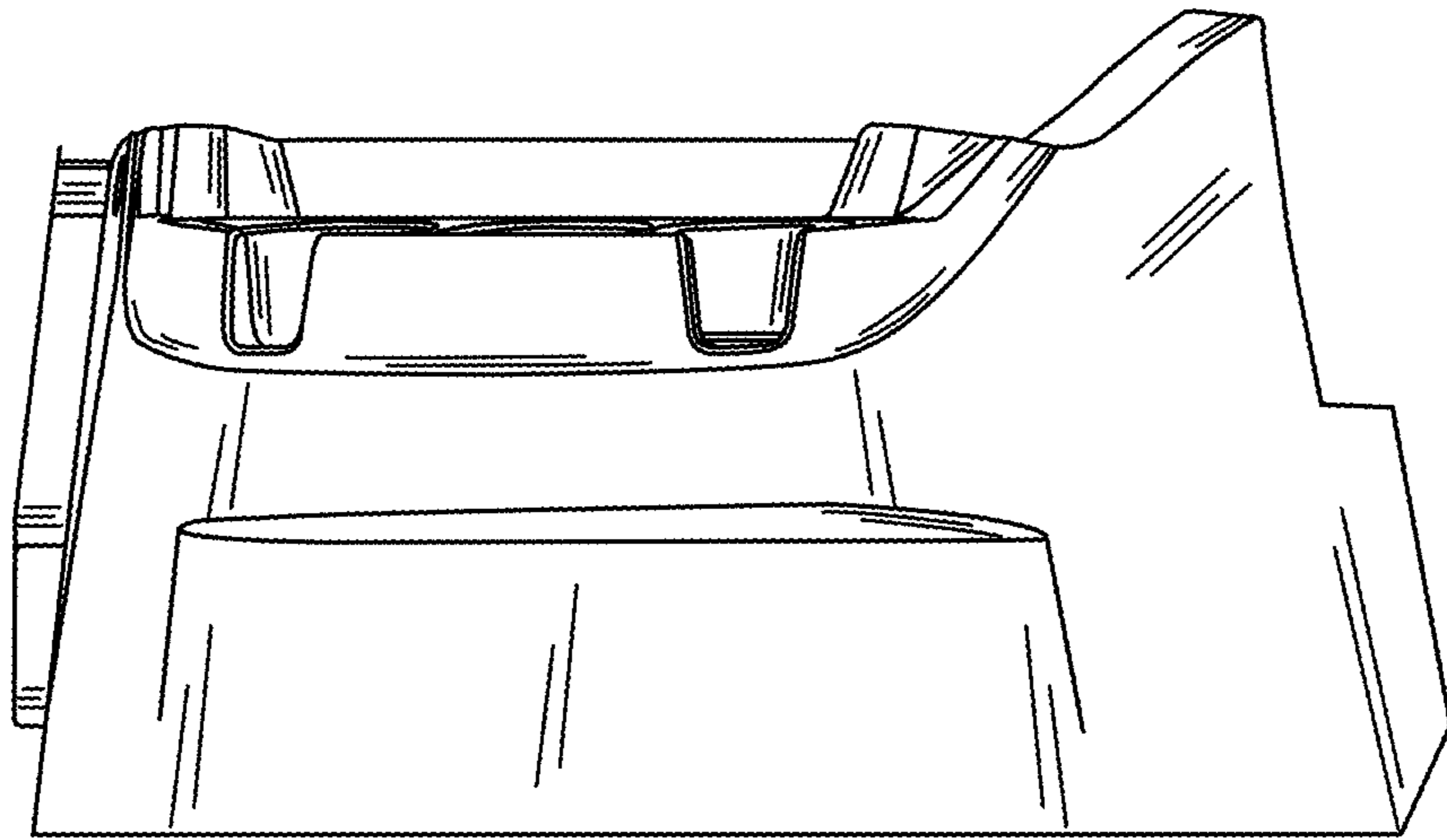


FIG. 4

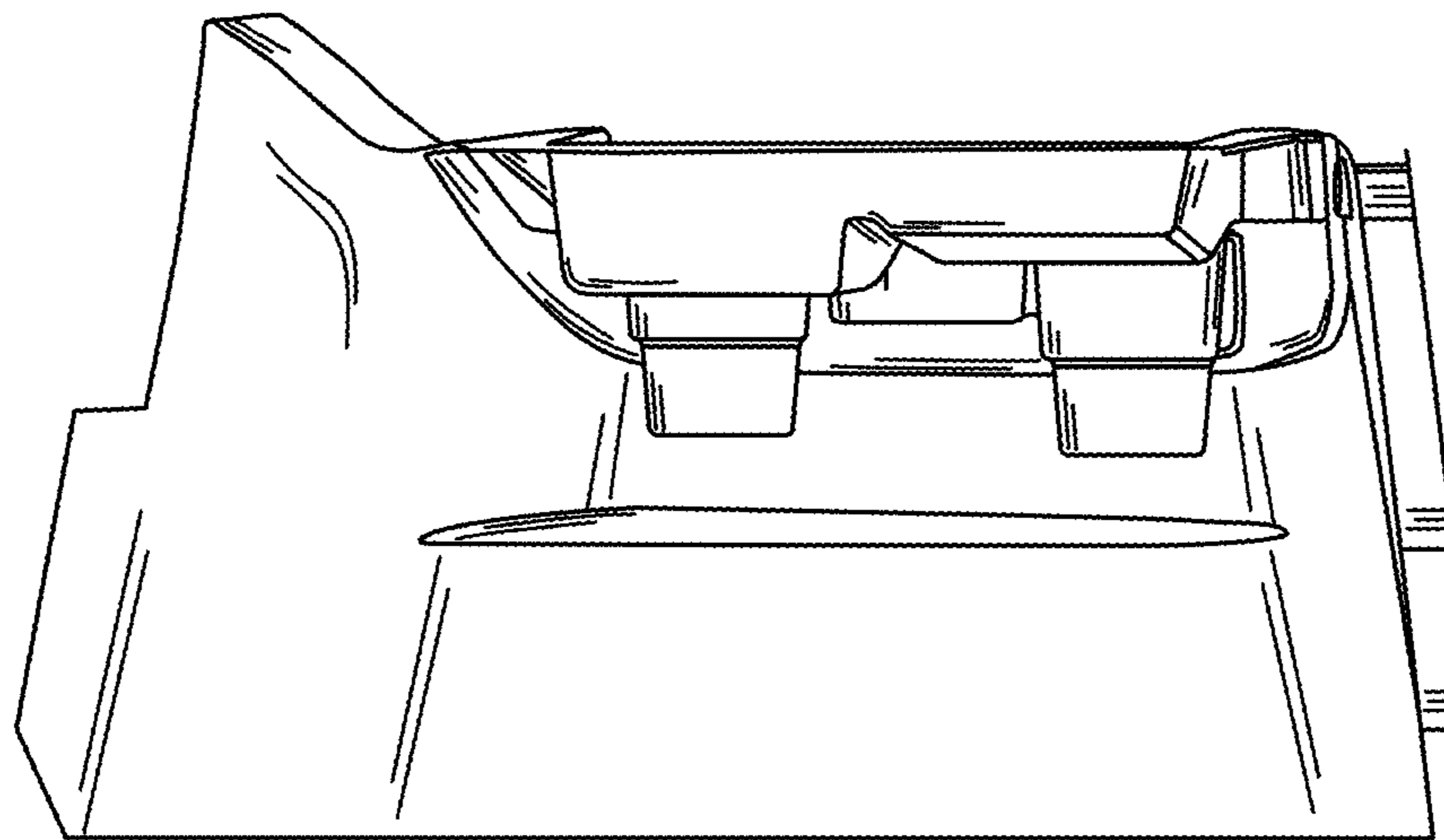


FIG. 5

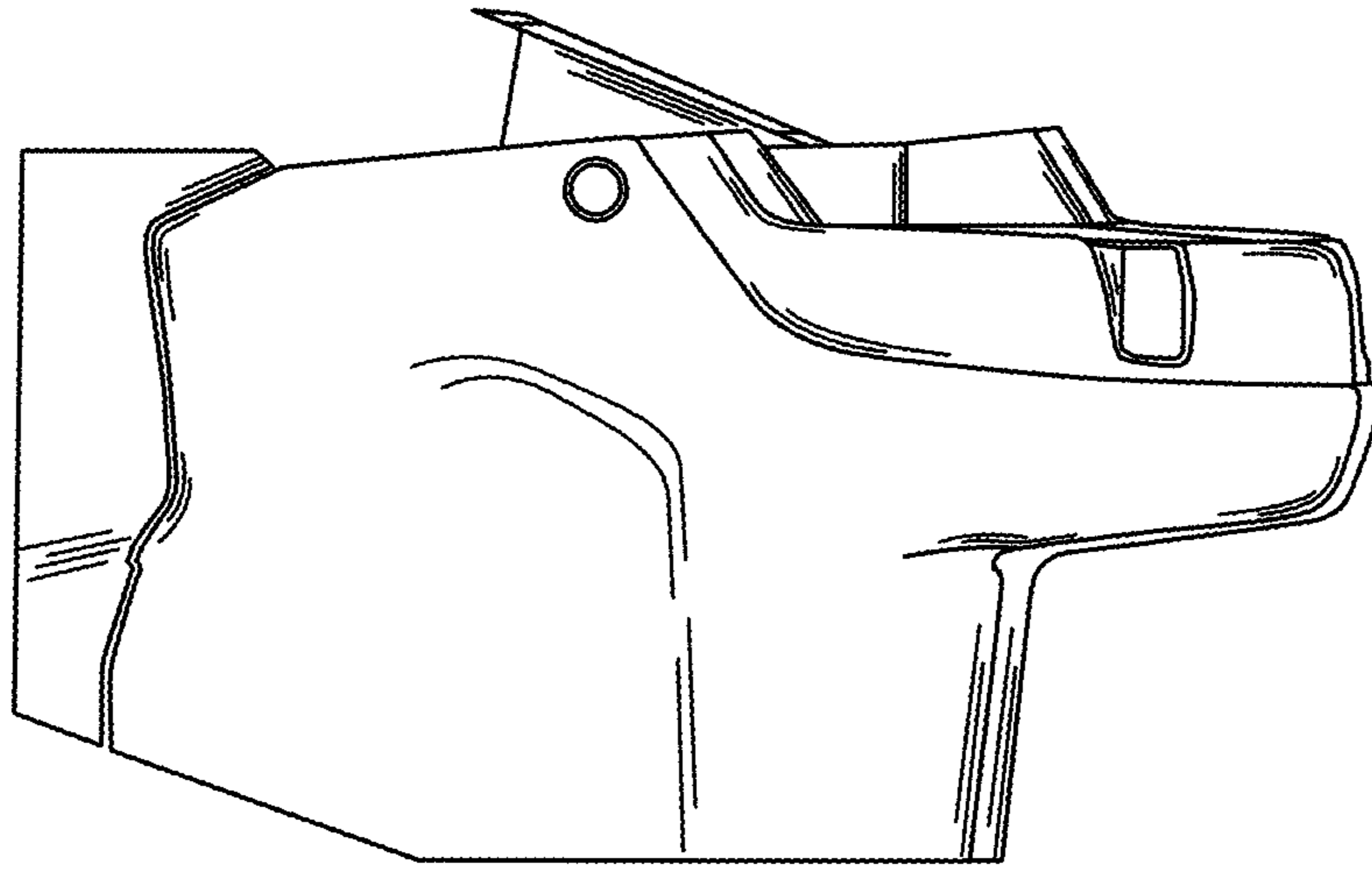


FIG. 6

