



US00D792832S

(12) **United States Design Patent**
Chung

(10) **Patent No.:** **US D792,832 S**

(45) **Date of Patent:** **** Jul. 25, 2017**

(54) **AIRPLANE**

(71) Applicant: **ASIANA AIRLINES, INC.**, Seoul (KR)

(72) Inventor: **Bill Ilsun Chung**, Seoul (KR)

(73) Assignee: **ASIANA AIRLINES, INC.**, Seoul (KR)

(**) Term: **15 Years**

(21) Appl. No.: **29/560,380**

(22) Filed: **Apr. 6, 2016**

(30) **Foreign Application Priority Data**

Oct. 6, 2015 (KR) 30-2015-0050230

(51) **LOC (10) Cl.** **12-07**

(52) **U.S. Cl.**
USPC **D12/343**

(58) **Field of Classification Search**
USPC D12/16.1, 319-324, 326-345; D21/436,
D21/441, 443, 444, 446, 447, 448, 449,
D21/450, 451, 452, 453
CPC B64C 1/062; B64C 39/024; B64C 27/08;
B64C 29/00; B64C 39/00; B64C 23/00
See application file for complete search history.

(56) **References Cited**

U.S. PATENT DOCUMENTS

D206,035 S * 10/1966 Stalner D12/340
D206,298 S * 11/1966 Rellis D12/337
D212,918 S * 12/1968 Davis D12/340
D232,426 S * 8/1974 Szlenkeler D12/330
D258,649 S * 3/1981 Booth D12/337
D259,411 S * 6/1981 Miller D12/341
D326,842 S * 6/1992 Buchsel D12/319
D397,989 S * 9/1998 Al-Sabah D12/319

D491,875 S * 6/2004 Eatkins D12/319
D499,688 S * 12/2004 Atkinson D12/319
D500,281 S * 12/2004 Aruga D12/319
D515,013 S * 2/2006 Eatkins D12/319
D516,995 S * 3/2006 Eatkins D12/319
D517,467 S * 3/2006 Vigneron D12/319
D529,857 S * 10/2006 Eakins D12/319
D530,658 S * 10/2006 Vigneron D12/319
D531,954 S * 11/2006 Eakins D12/319
D537,029 S * 2/2007 Eakins D12/319
D576,938 S * 9/2008 Moon D12/343
D589,867 S * 4/2009 Chesne D12/343
D612,792 S * 3/2010 Guering D12/343
D619,076 S * 7/2010 Guering D12/343
D624,479 S * 9/2010 Guering D12/343
D624,480 S * 9/2010 Guering D12/343
D629,349 S * 12/2010 Hwang D12/319
D674,734 S * 1/2013 Fujino D12/345
D702,622 S * 4/2014 Klimov D12/319
9,014,877 B2 * 4/2015 Golling B64C 9/16
244/12.1

(Continued)

Primary Examiner — Robert M Spear

Assistant Examiner — Marissa J Cash

(74) *Attorney, Agent, or Firm* — Mintz Levin Cohn Ferris
Glovsky and Popeo, P.C.; Kongsik Kim

(57) **CLAIM**

The ornamental design for an airplane, as shown and described.

DESCRIPTION

FIG. 1 is a perspective view of an airplane according to the present invention.

FIG. 2 is a front view of the airplane of FIG. 1.

FIG. 3 is a rear view of the airplane of FIG. 1.

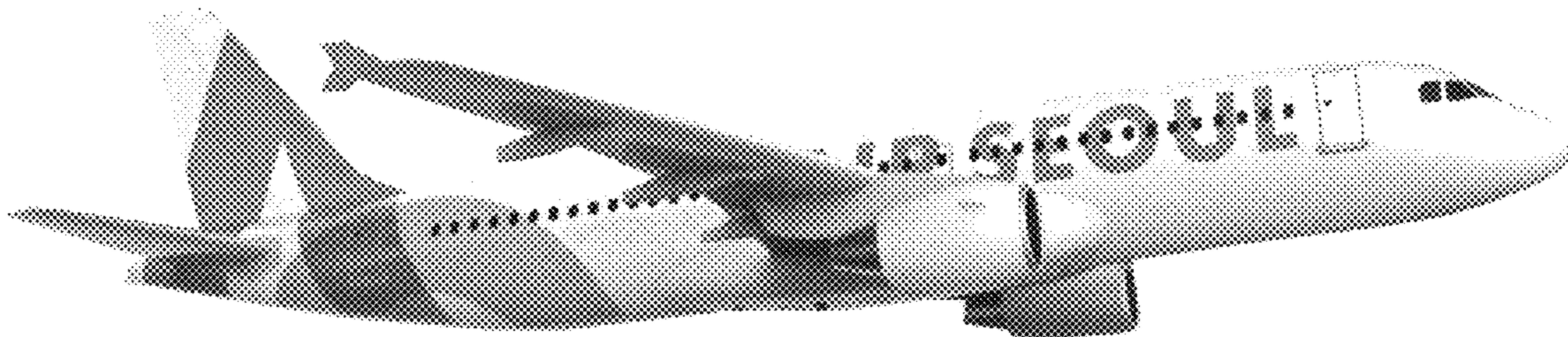
FIG. 4 is a left side view of the airplane of FIG. 1.

FIG. 5 is a right side view of the airplane of FIG. 1.

FIG. 6 is a top view of the airplane of FIG. 1; and,

FIG. 7 is a bottom view of the airplane of FIG. 1.

1 Claim, 7 Drawing Sheets



(56)

References Cited

U.S. PATENT DOCUMENTS

9,016,632 B1 * 4/2015 Daso B64C 30/00
244/130
9,022,311 B2 * 5/2015 Thomas B64C 7/02
244/1 N
9,199,714 B2 * 12/2015 Depeige B64C 1/062
D749,488 S * 2/2016 De Camargo D12/319
D749,489 S * 2/2016 Da Silva D12/319
D760,637 S * 7/2016 Cummings D12/343
D762,157 S * 7/2016 Faure D12/342
D762,548 S * 8/2016 Faure D12/342
D765,010 S * 8/2016 De Camargo D12/342

* cited by examiner

FIG. 1

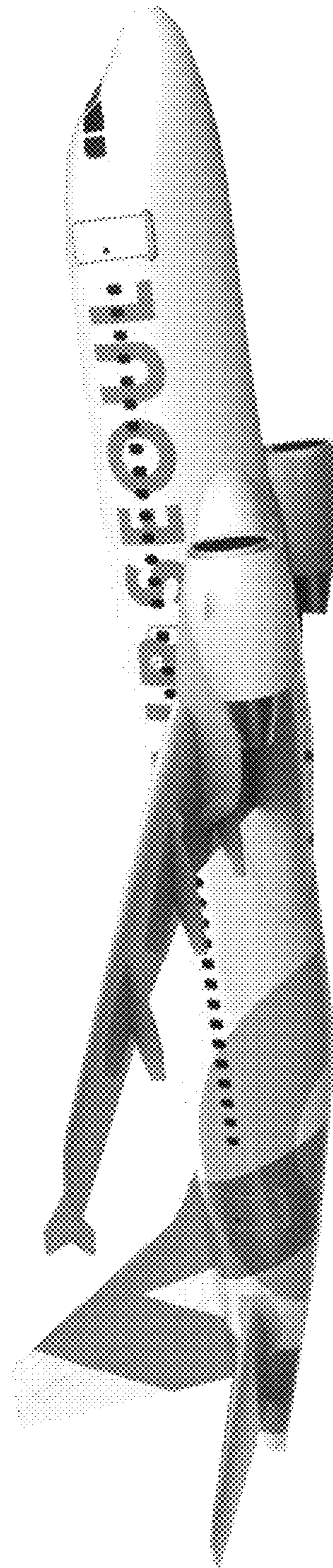


FIG. 2

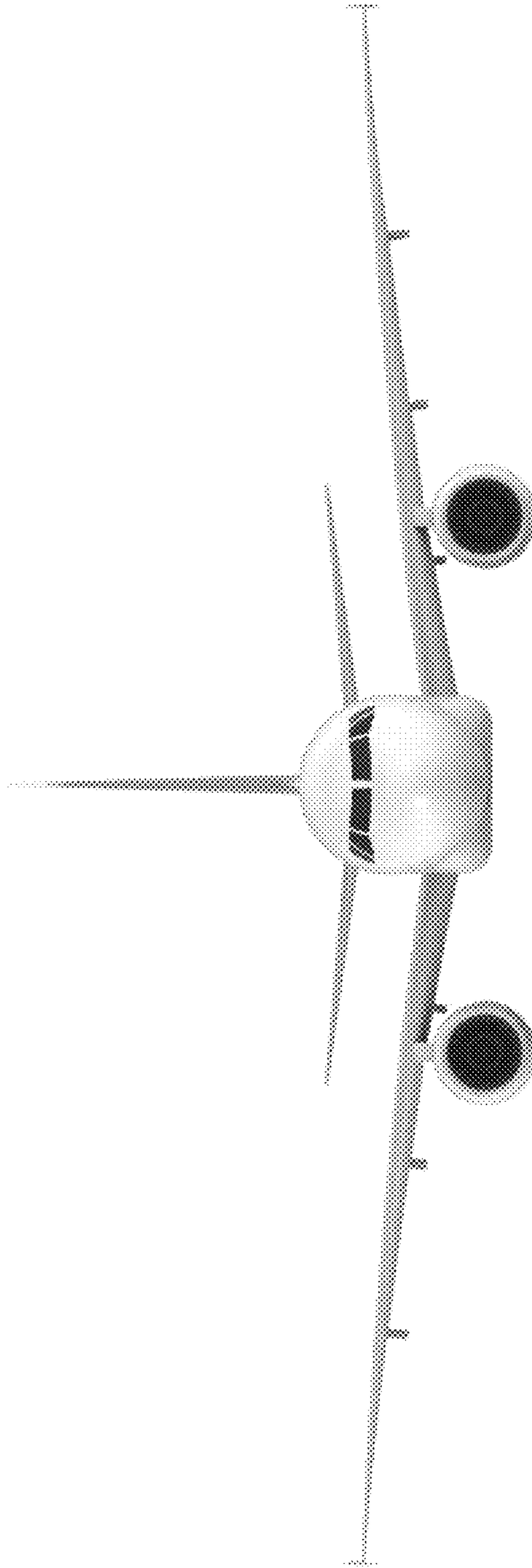


FIG. 3

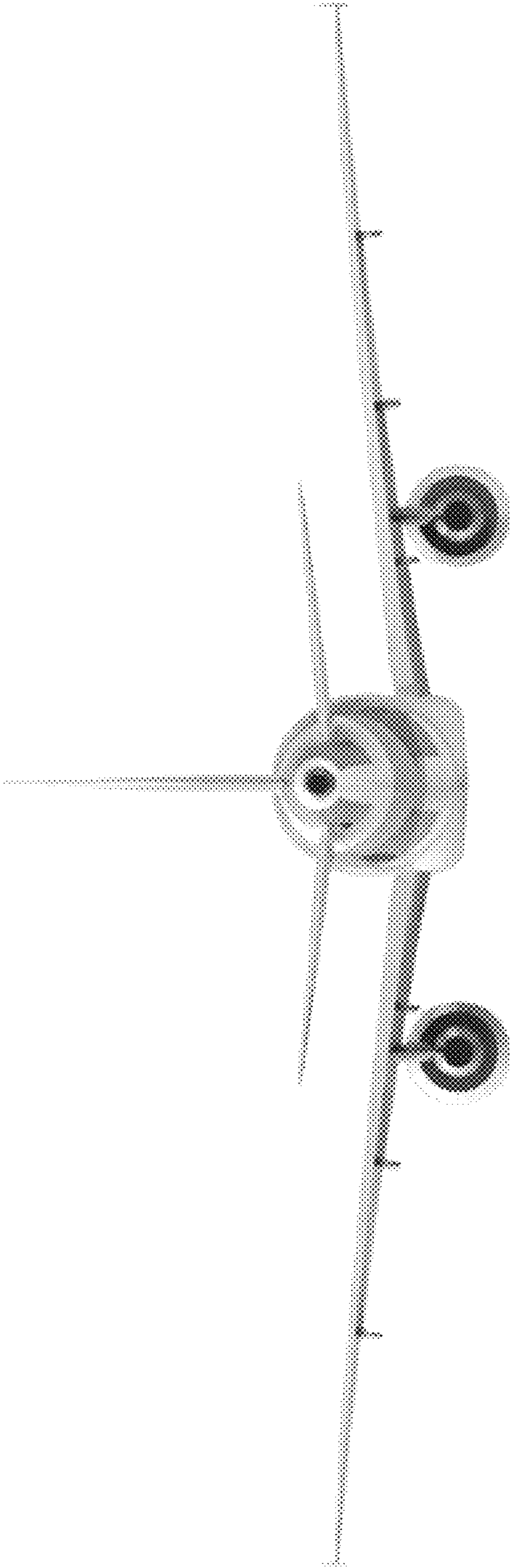


FIG. 4

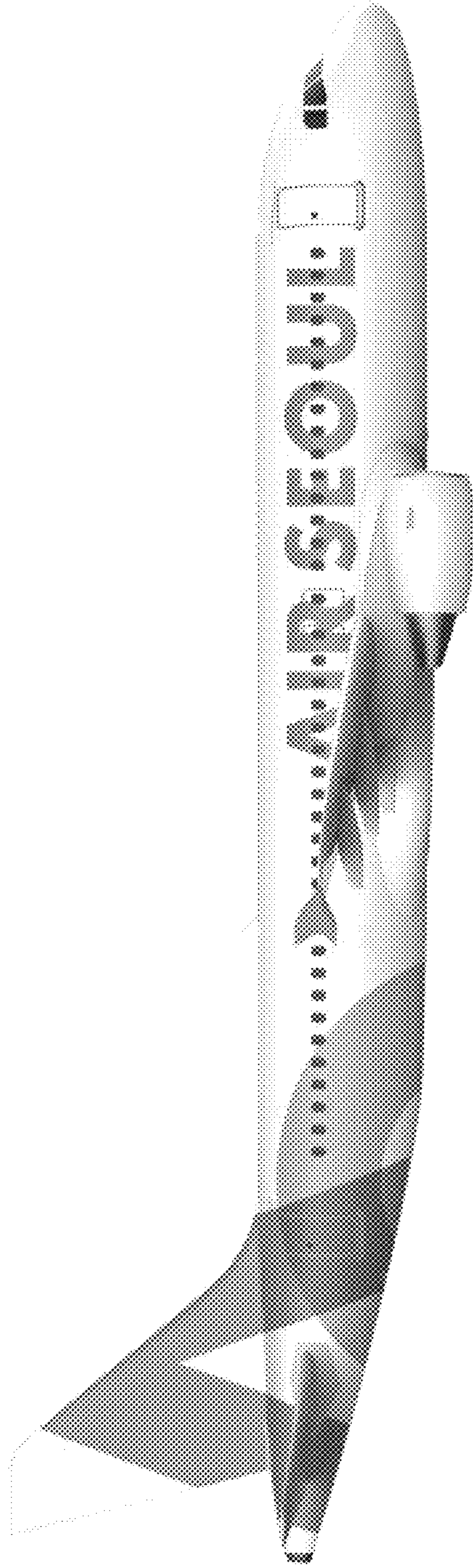


FIG. 5

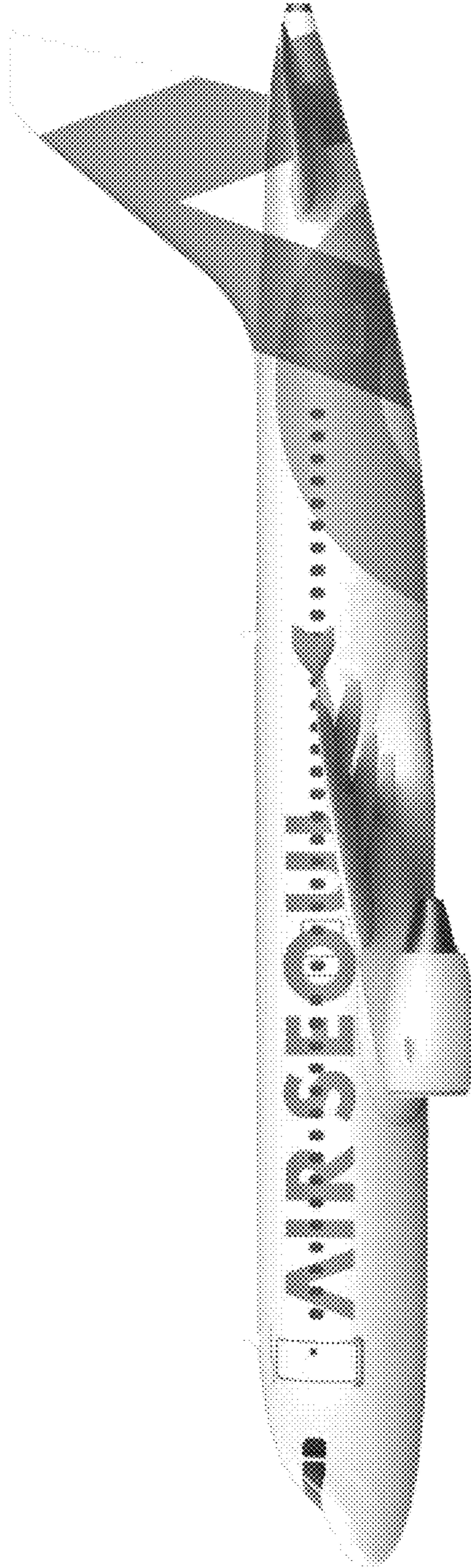


FIG. 6



FIG. 7

