



US00D792829S

(12) **United States Design Patent**
Kim

(10) **Patent No.:** **US D792,829 S**

(45) **Date of Patent:** **** Jul. 25, 2017**

(54) **VEHICLE WHEEL**

(71) Applicant: **DzineSquare, Inc.**, Yorba Linda, CA (US)
(72) Inventor: **Young Ha Kim**, Yorba Linda, CA (US)
(73) Assignee: **Dzinesquare Inc.**, La Mirada, CA (US)
(**) Term: **14 Years**
(21) Appl. No.: **29/497,283**

(22) Filed: **Jul. 23, 2014**
(51) **LOC (10) Cl.** **12-16**
(52) **U.S. Cl.**
USPC **D12/211**
(58) **Field of Classification Search**
USPC D12/204-213
CPC B60B 7/00; B60B 7/02; B60B 7/04; B60B 7/01; B60B 7/06; B60B 3/02; B60B 3/04; B60B 3/06; B60B 3/10; B60B 1/00; B60B 1/08; B60B 1/10; B60B 1/12
See application file for complete search history.

(56) **References Cited**

U.S. PATENT DOCUMENTS

D361,976 S	9/1995	Echazabal et al.
D375,073 S	10/1996	Theiss
D388,047 S	12/1997	Pfeiffer et al.
D409,968 S	5/1999	Goplen
D412,149 S	7/1999	Corioni
D415,094 S	10/1999	Neeper
D419,940 S	2/2000	Sacco et al.
D421,590 S	3/2000	Sacco et al.
D439,212 S	3/2001	Neeper
D452,838 S	1/2002	Hieke

(Continued)

FOREIGN PATENT DOCUMENTS

EM	45489-0003	6/2003
EM	71592-0005	9/2003

(Continued)

OTHER PUBLICATIONS

<http://mhtwheels.com/mht-luxury-alloy-wheels.cfm?id=632> ; Published at least as early as Mar. 2, 2013 according to <https://archive.org/index.php> ; See, in particular, MHT wheel designs “Baller—S115” and “Baller—S116”.

(Continued)

Primary Examiner — Stacia Cadmus

(74) *Attorney, Agent, or Firm* — Lance M. Pritikin

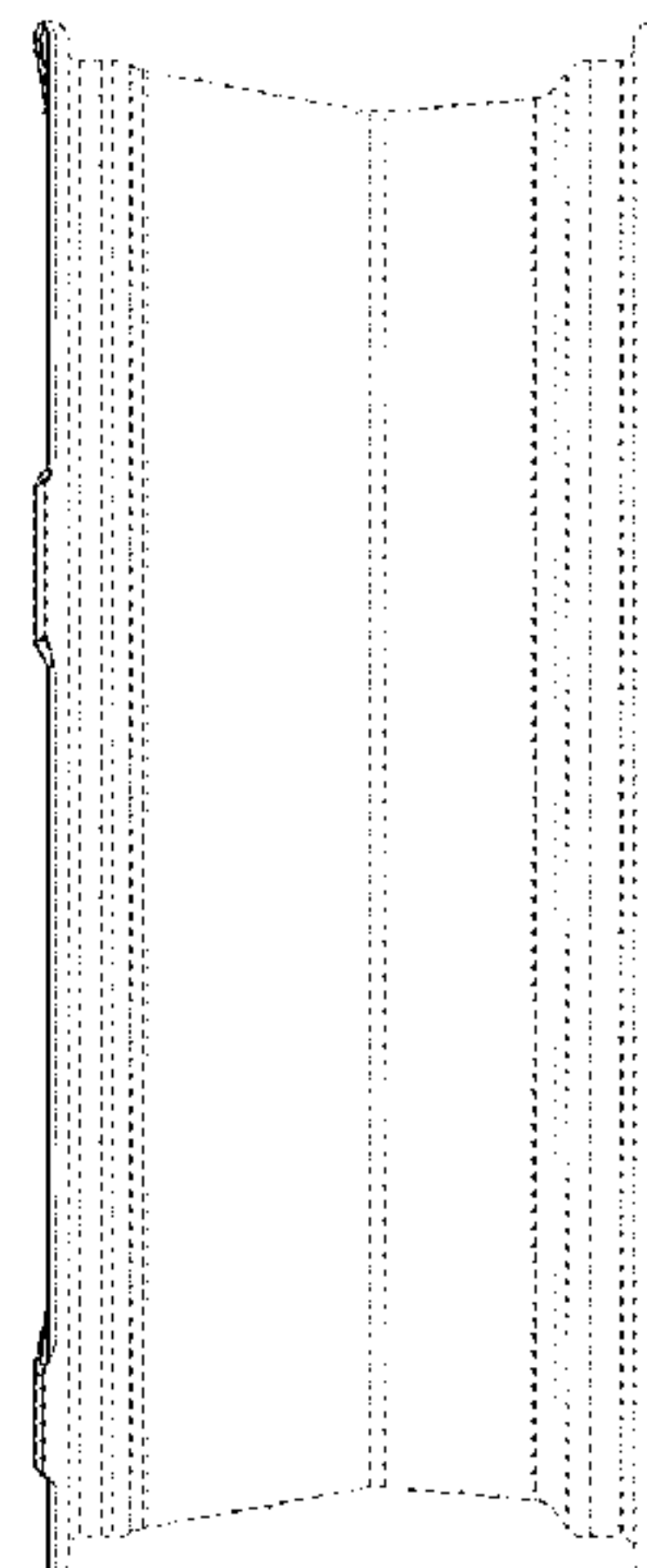
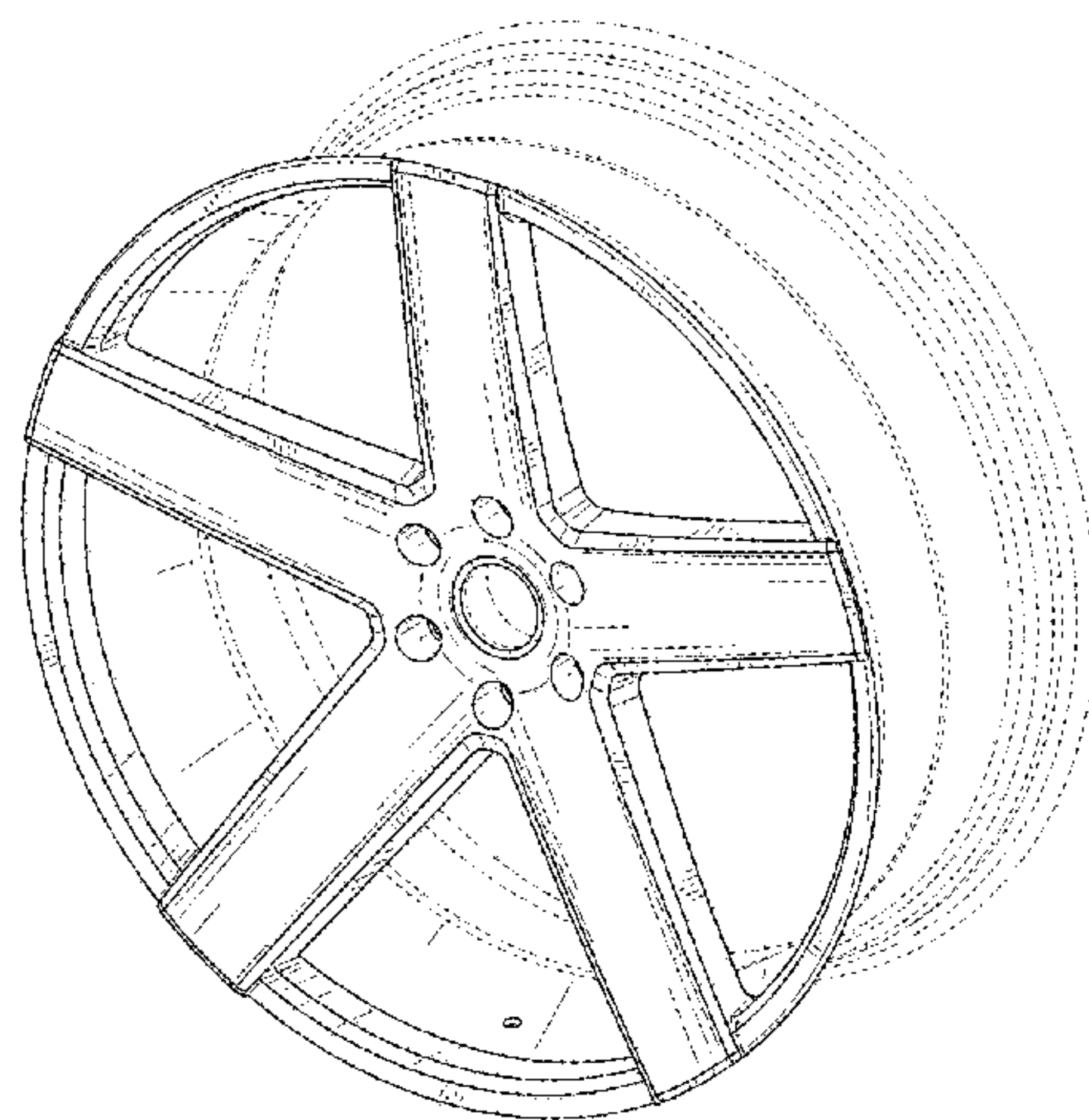
(57) **CLAIM**

The ornamental design for a vehicle wheel, as shown and described.

DESCRIPTION

FIG. 1 is a front perspective view of the vehicle wheel, showing my new design;
FIG. 2 is a front view thereof;
FIG. 3 is a rear view thereof;
FIG. 4 is a right side view thereof with a left side view being a mirror image;
FIG. 5 is a top view thereof;
FIG. 6 is a bottom view thereof;
FIG. 7 is a rear perspective view thereof;
FIG. 8 is a front perspective view of a second embodiment of the vehicle wheel;
FIG. 9 is a front view thereof;
FIG. 10 is a rear view thereof;
FIG. 11 is a right side view thereof with a left side view being a mirror image;
FIG. 12 is a top view thereof;
FIG. 13 is a bottom view thereof; and,
FIG. 14 is a rear perspective view thereof.
In the drawings, the broken lines depict environmental subject matter only and form no part of the claimed design.

1 Claim, 12 Drawing Sheets



(56)

References Cited

U.S. PATENT DOCUMENTS

D458,208 S	6/2002	Hartl	
D459,690 S	7/2002	Bintoro	
D460,036 S *	7/2002	Yajima	D12/211
D461,757 S	8/2002	Taneoka	
D462,929 S	9/2002	Vian	
D463,349 S	9/2002	Vian	
D466,066 S	11/2002	Bintoro	
D466,067 S	11/2002	Muzzarelli	
D466,852 S	12/2002	Pfeiffer et al.	
D480,038 S	9/2003	Oh	
D481,664 S	11/2003	Vian	
D486,112 S	2/2004	Lecher	
D487,419 S	3/2004	Kim	
D503,371 S	3/2005	Boyer	
D515,996 S	2/2006	Baumgartner	
D524,712 S *	7/2006	Pfeiffer	D12/211
D526,268 S	8/2006	Pfeiffer	
D528,960 S	9/2006	Kim	
D535,240 S	1/2007	Chang	
D535,242 S	1/2007	Lyew	
D536,292 S *	2/2007	Sulahian	D12/209
D540,733 S	4/2007	Castiglione	
D541,204 S	4/2007	Huet	
D547,253 S	7/2007	Muzzarelli	
D548,167 S	8/2007	Groom	
D595,631 S	7/2009	Musser	
D603,778 S	11/2009	Chung	
D619,075 S	7/2010	Zhao	
D622,200 S	8/2010	Zhao	
D638,767 S	5/2011	Groom	
D639,220 S	6/2011	Zhao	
D641,302 S	7/2011	Ettensberger	
D651,957 S	1/2012	Chung	
D655,232 S	3/2012	Zhao	
D656,878 S	4/2012	Johnson	
D660,220 S *	5/2012	Chan	D12/211
D671,061 S	11/2012	Dilber et al.	
D675,972 S	2/2013	Lee	
D680,048 S	4/2013	Zhao	
D680,049 S	4/2013	Hale, Jr.	
D682,765 S	5/2013	Alfonso	
D683,688 S	6/2013	Alfonso	
D695,196 S	12/2013	Zane	
D703,601 S	4/2014	Chung	
D708,113 S	7/2014	Hale, Jr.	
D725,020 S	3/2015	Kim	
D732,453 S	6/2015	Gallert	
D736,136 S	8/2015	Hale, Jr.	
D741,241 S	10/2015	Hale, Jr.	
D742,799 S *	11/2015	Zhao	D12/211
D749,030 S *	2/2016	Zhao	D12/211
D753,041 S *	4/2016	Kim	D12/209
D758,278 S *	6/2016	Behmer	D12/211

FOREIGN PATENT DOCUMENTS

EM	211669-0005	8/2004
EM	244249-0002	10/2004
EM	244249-0004	10/2004
EM	244249-0007	10/2004
EM	276811-0007	1/2005
EM	426663-0003	5/2006
EM	529185-0013	5/2006
EM	529185-0014	5/2006
EM	547666-0002	6/2006
EM	553185-0032	6/2006
EM	707880-0001	4/2007
EM	735758-0001	6/2007
EM	1037485-0001	11/2008
EM	1103659-0001	3/2009
EM	1762154-0003	10/2010
EM	1762154-0004	10/2010
EM	1762436-0001	10/2010
EM	1762436-0002	10/2010
EM	1322291-0008	4/2012

EM	2024893-0021	4/2012
EM	1335194-0002	7/2012
EM	2093849-0001	8/2012
EM	2209197-0003	3/2013
EM	2240481-0003	5/2013
GB	2011520	8/1990
GB	2086414	9/1990
GB	3002808	4/2002
GB	3002818	4/2002
GB	3007129	9/2002
GB	3019080	10/2004
JP	1094066	10/2000
JP	1220424	9/2004
JP	1307135	7/2007
JP	1349785	12/2008
JP	1459261	12/2012
KR	300416096	6/2006
KR	300432320	11/2006
KR	300436783	1/2007
KR	300451109	6/2007
KR	300507394	9/2008
KR	300551469	1/2010
KR	300578077	11/2010
KR	300632274	3/2012
WO	45608-015	12/1997
WO	47560-001	6/1998
WO	47560-002	6/1998
WO	47560-004	6/1998
WO	47560-005	6/1998
WO	51919-003	7/1999
WO	51919-004	7/1999
WO	49188-003	9/1999
WO	61736-004	10/2002
WO	63506-005	12/2002
WO	64562-002	7/2003
WO	68176-013	9/2006
WO	68176-014	9/2006
WO	68722-001	3/2007
WO	68722-002	3/2007
WO	75474-001	3/2011
WO	75474-002	3/2011

OTHER PUBLICATIONS

5-spoke wheel made by Forgestar Wheels depicted online in the Mustangs Daily article "SEMA 2010: Tjin Edition 2011 Mustang" published by Drew Phillips on Nov. 5, 2010; <http://mustangsdaily.com/blog/2010/11/05/sema-2010-tjin-edition-2011-mustang>.

Vossen CV3 wheel depicted online in a Luxury4Play post published by Jay@Vossen on Apr. 29, 2011; <http://www.luxury4play.com/asian-auto/79493-vossen-concave-vvs-cv3-matte-graphite-infiniti-g37-ipl.html>.

Giovanna Mecca wheel depicted online in a Lamborghini-Talk forum post published by carid on Dec. 1, 2011; <http://www.lamborghini-talk.com/vbforum/f103/lambo-wheels-giovanna-special-offer-21640/#post185207>.

TSW Rivage wheel depicted online in "TSW Alloy Wheels Introduces the Rivage Custom Wheel" published by TSW Allow Wheels on Feb. 6, 2012; http://www.tsw.com/tsw_alloy_wheels_press.php.

Vossen CV3 wheel depicted online on Lexus Enthusiast in the article "New Sponsor: Vossen Wheels" published by krew on Feb. 28, 2012; <https://lexusenthusiast.com/2012/02/28/new-sponsor-vossen-wheels/>.

TSW Rivage wheel depicted online in a Camaro5 forum post published by BestWheelDeals on Apr. 24, 2012; <http://www.camaro5.com/forums/showthread.php?t=218920>.

5-spoke wheel made by Stance Wheel depicted online in an AcuraZine forum post published by jurushem on Jun. 12, 2012; <http://acurazine.com/forums/4g-tl-tires-wheels-suspension-298/vossen-cv3-vs-stance-sc-5ive-860037/>.

TSW Panorama wheel depicted online in a CorvetteForum post published by The Speed Depot on Oct. 19, 2012; <http://www>.

(56)

References Cited

OTHER PUBLICATIONS

corvetteforum.com/forums/c5-z06-discussion/3151151-18x9-0-18x10-5-tsw-panorama-forged-lightweight-wheels-silver-bronze-black.html.

5-spoke wheel made by Roush Motoring depicted online in the Mustangs Daily article "SEMA 2012: Rousch, Ford Racing and Sherwin-Williams team up for custom 700 horsepower Stage 3 Mustang" published by Drew Phillips on Nov. 1, 2012; <http://mustangsdaily.com/blog/2012/11/01/sema-2012-roush-ford-racing-and-sherwin-williams-bam-up-for-custom-700-horsepower-stage-3-mustang/>.

* cited by examiner

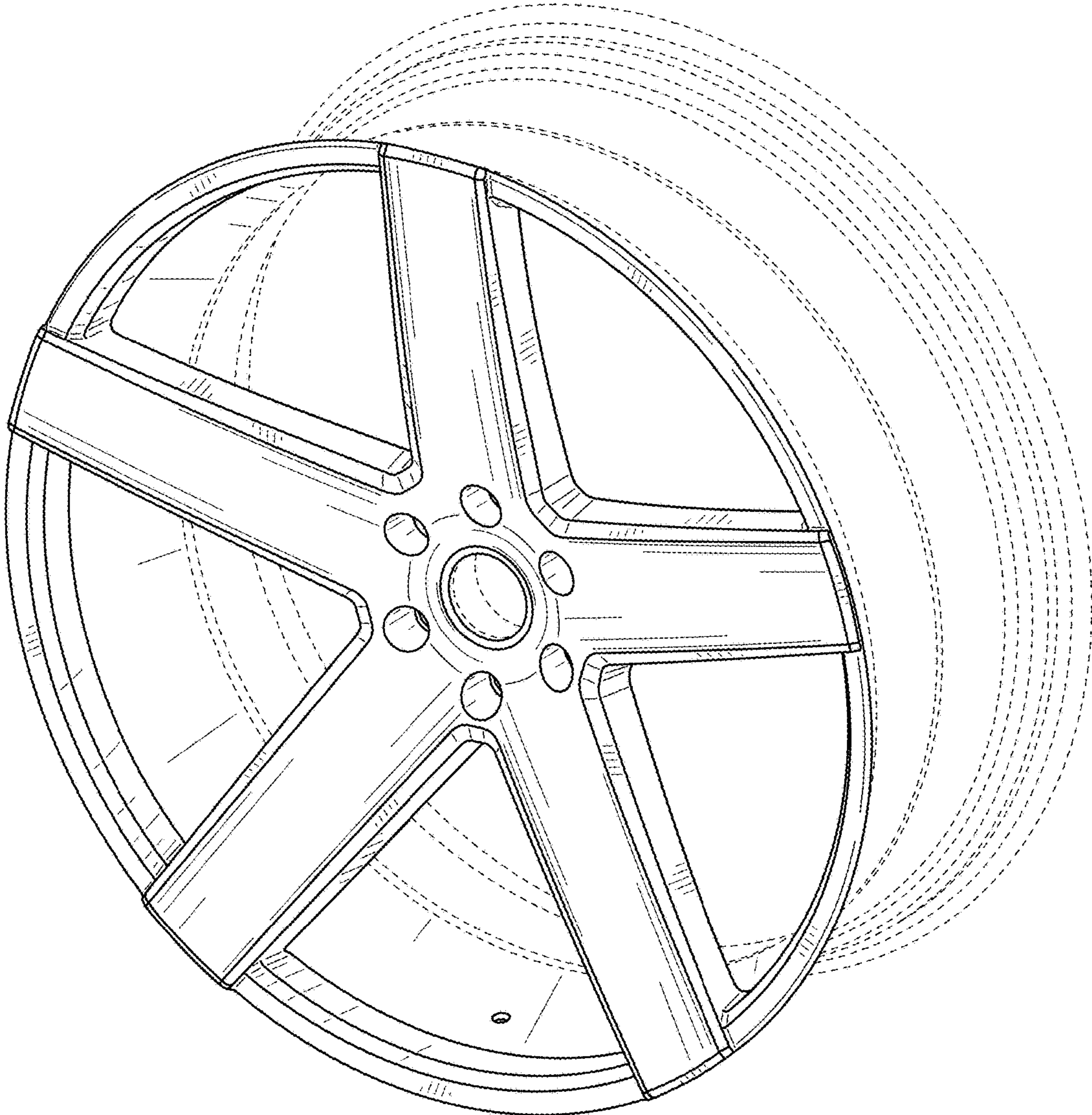


FIG. 1

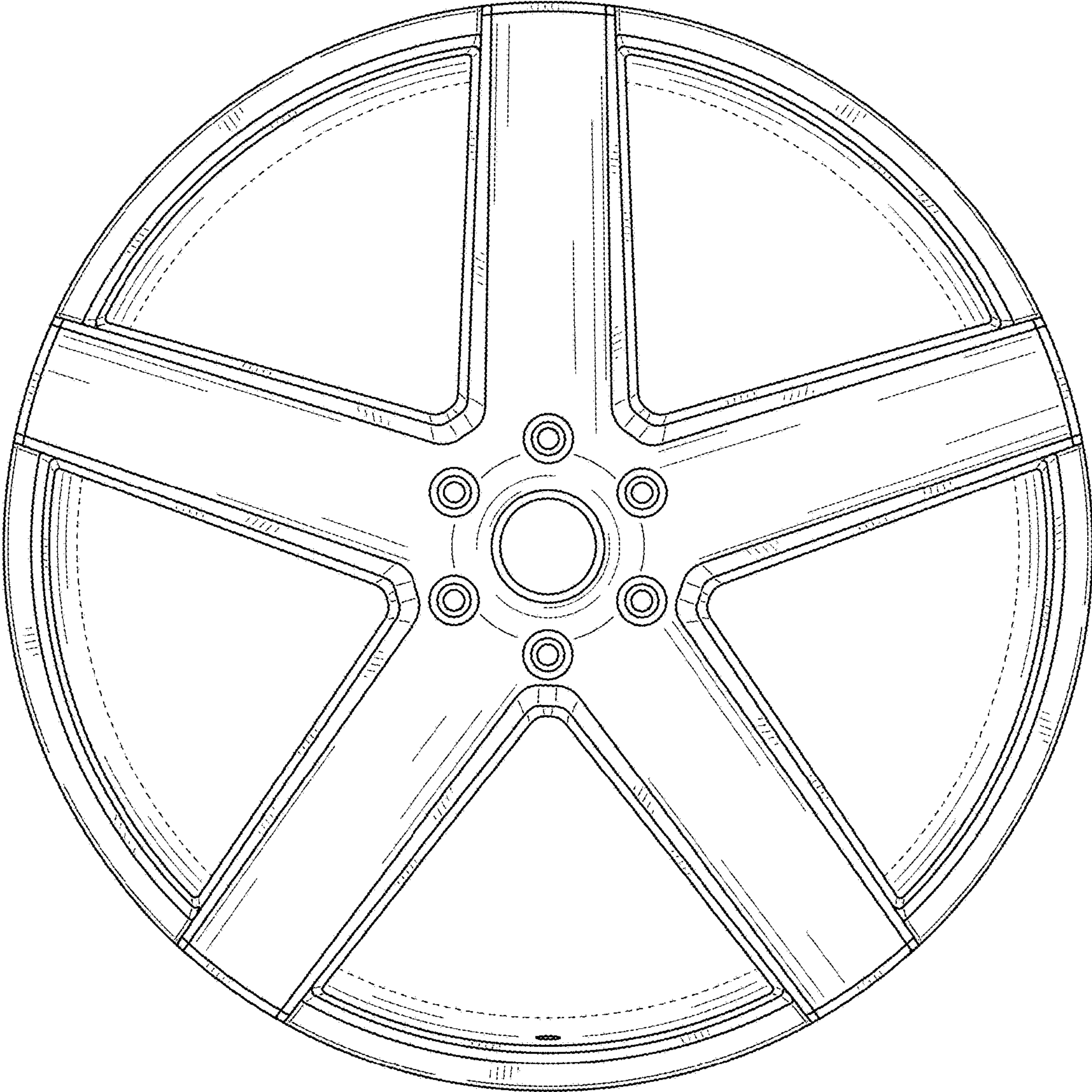


FIG. 2

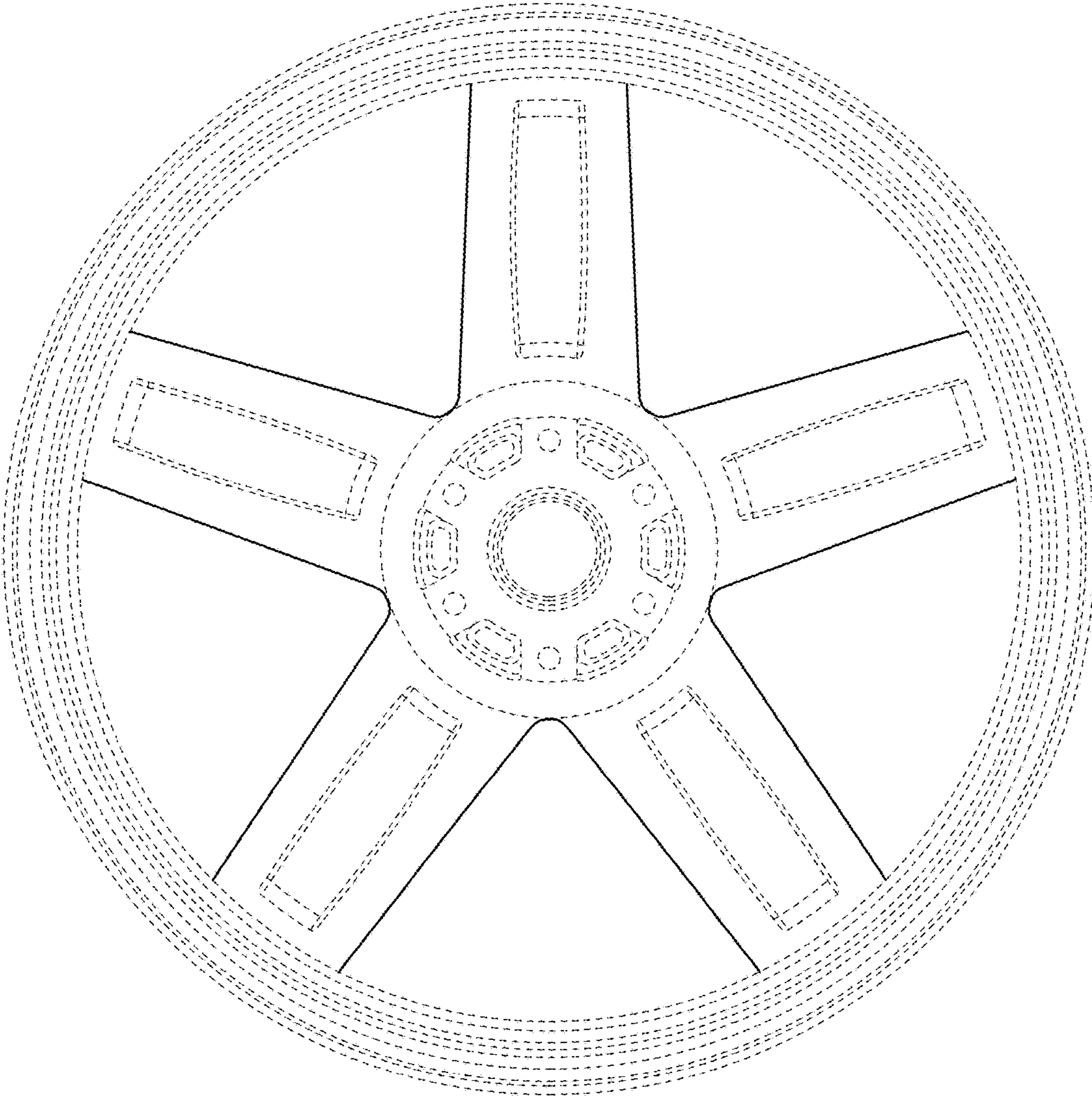


FIG. 3

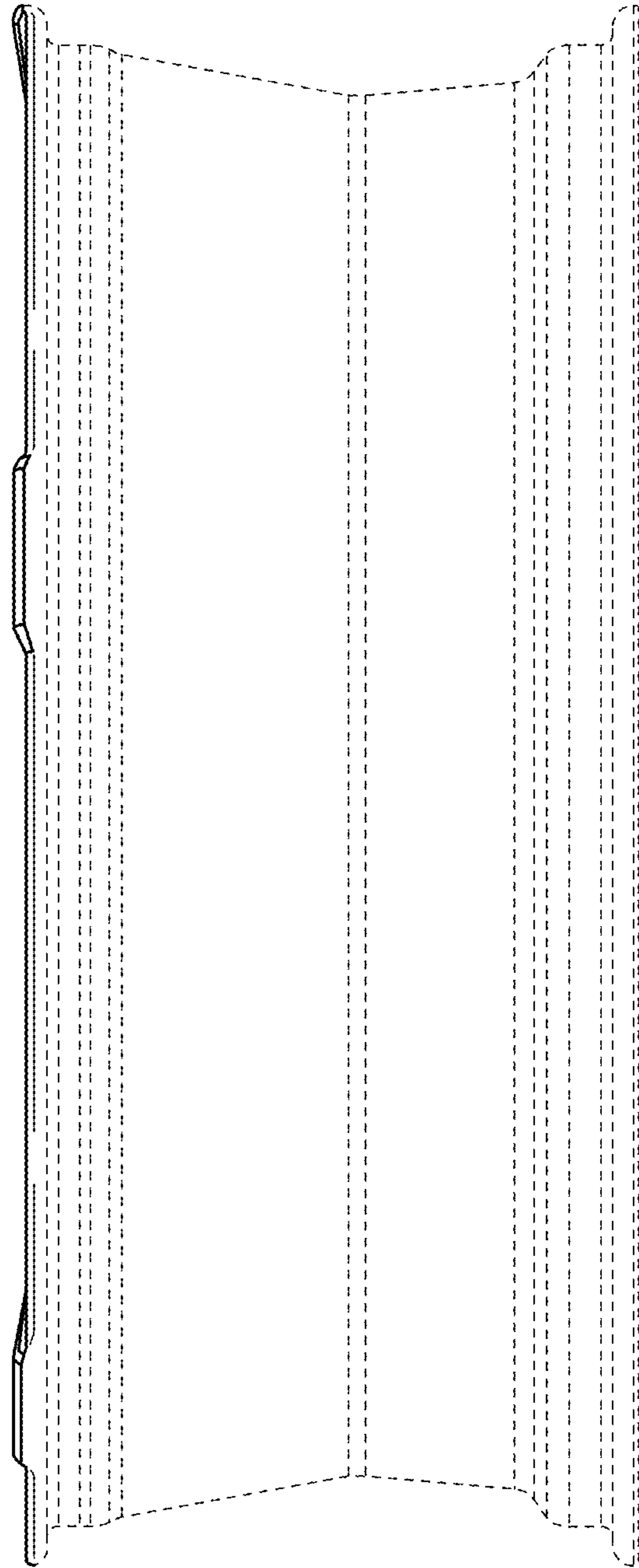


FIG. 4

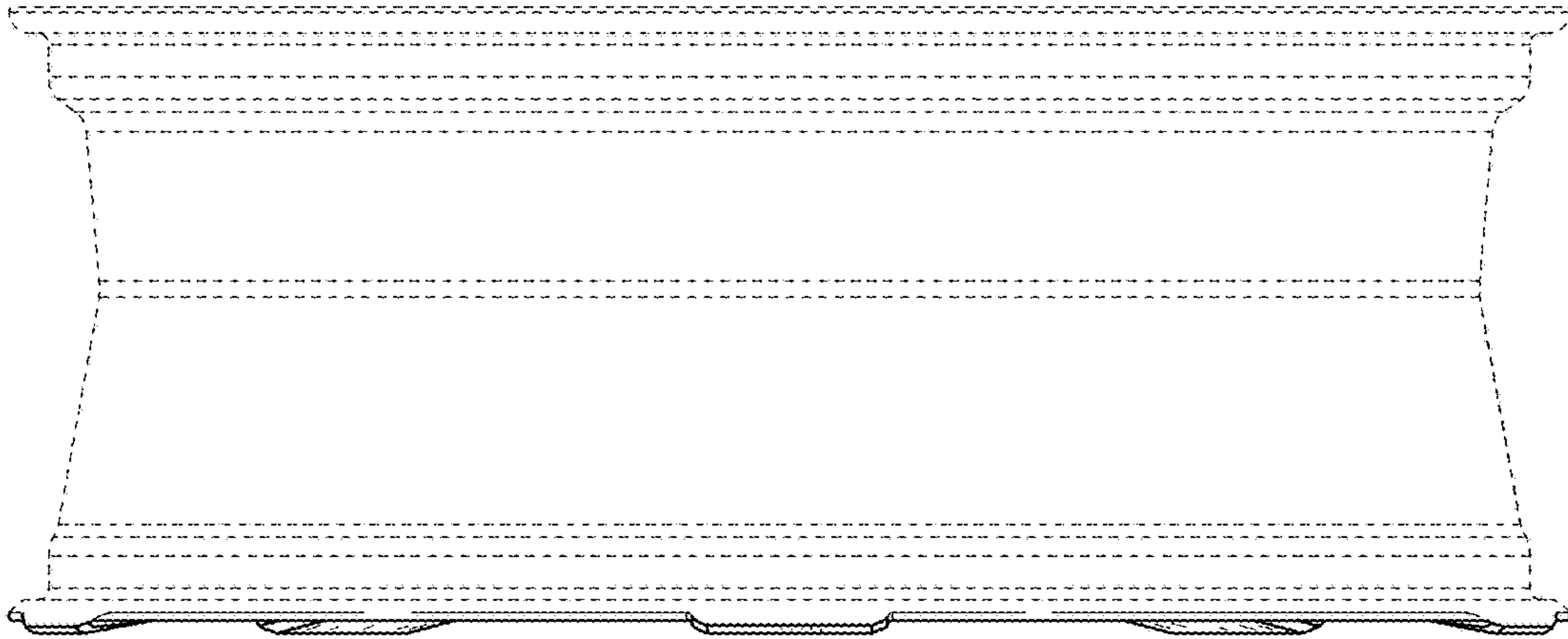


FIG. 5

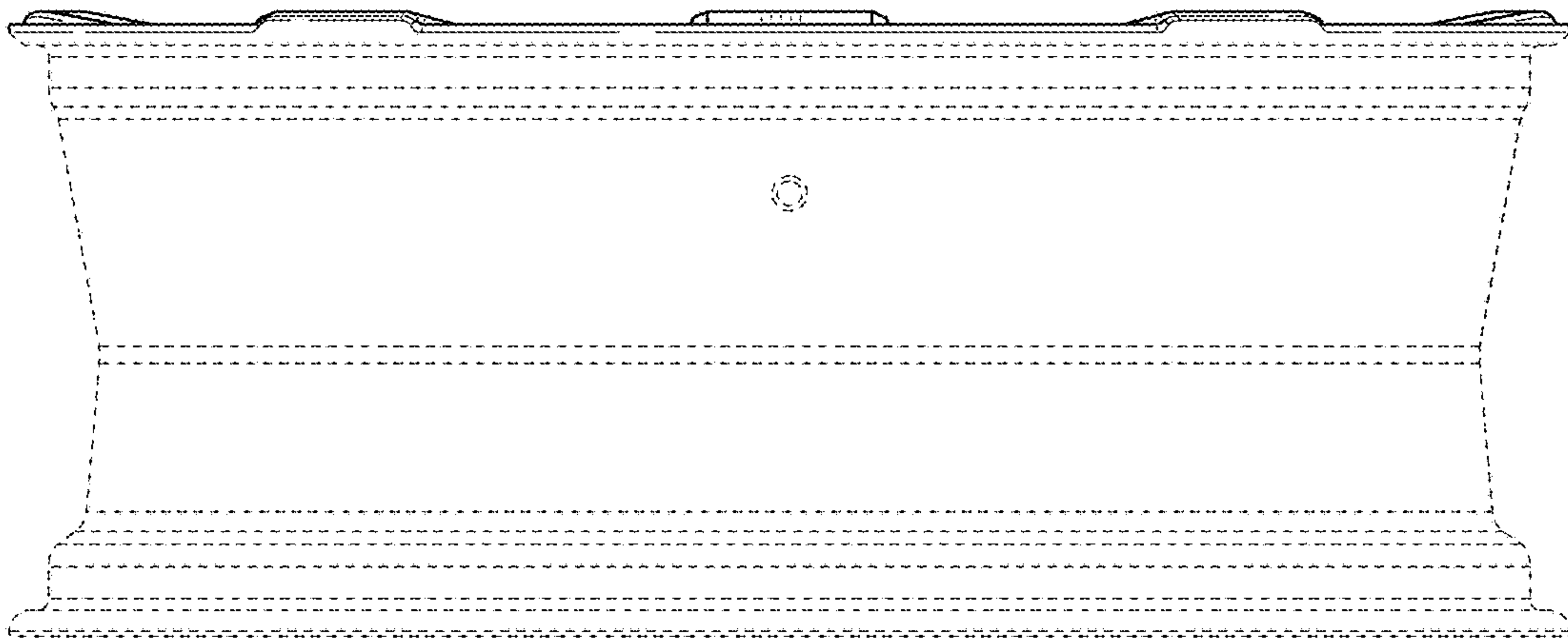


FIG. 6

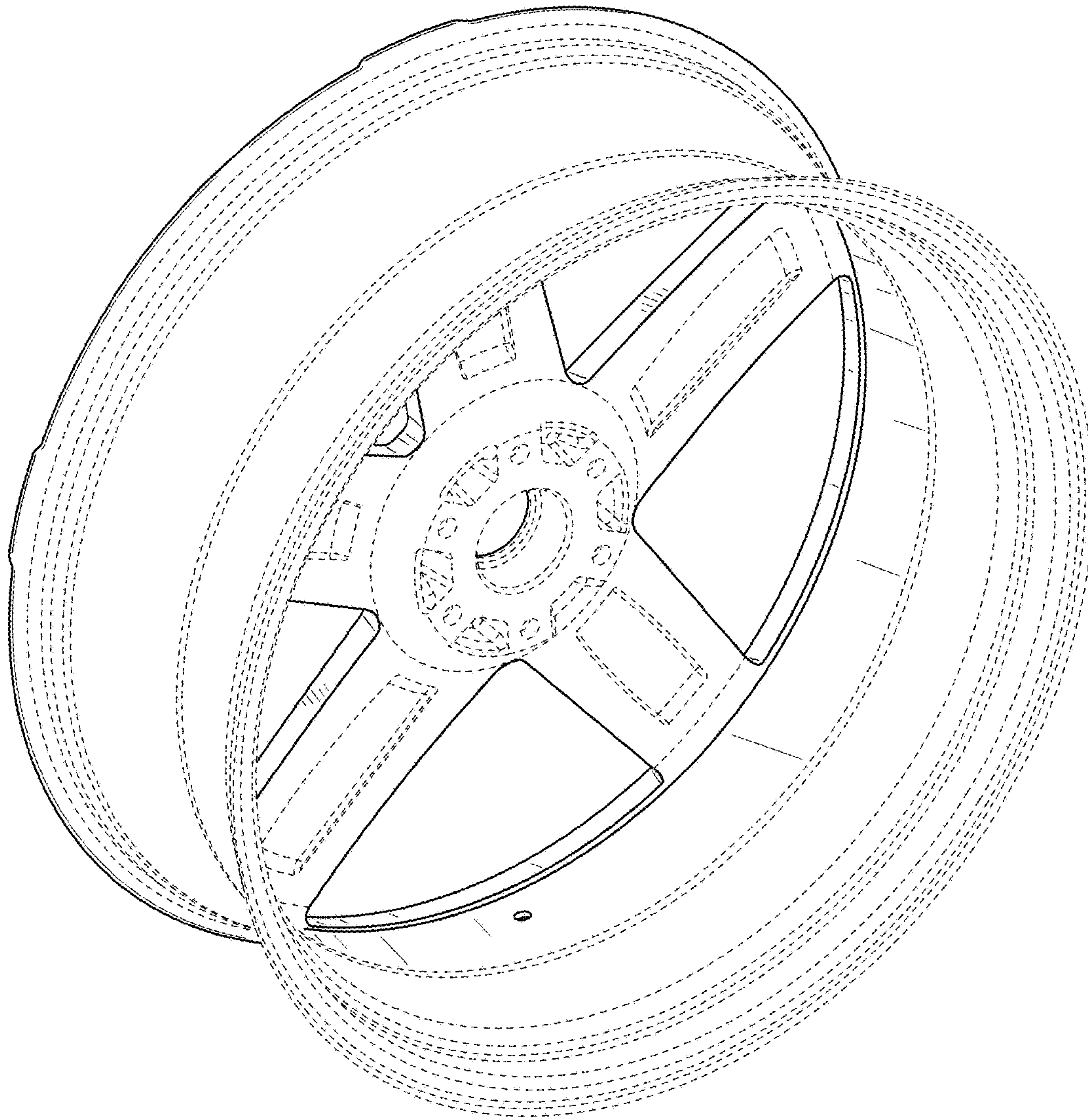


FIG. 7

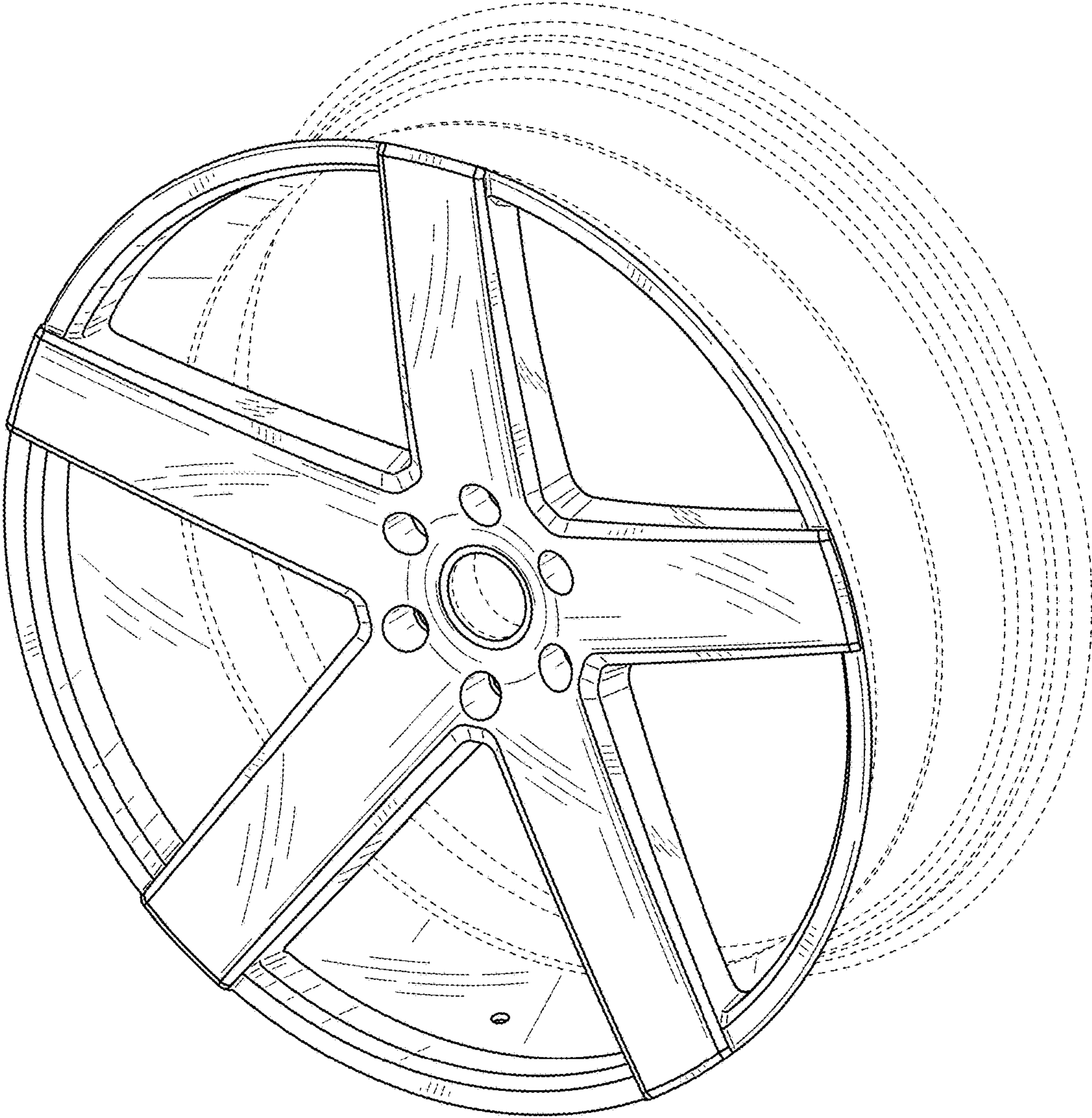


FIG. 8

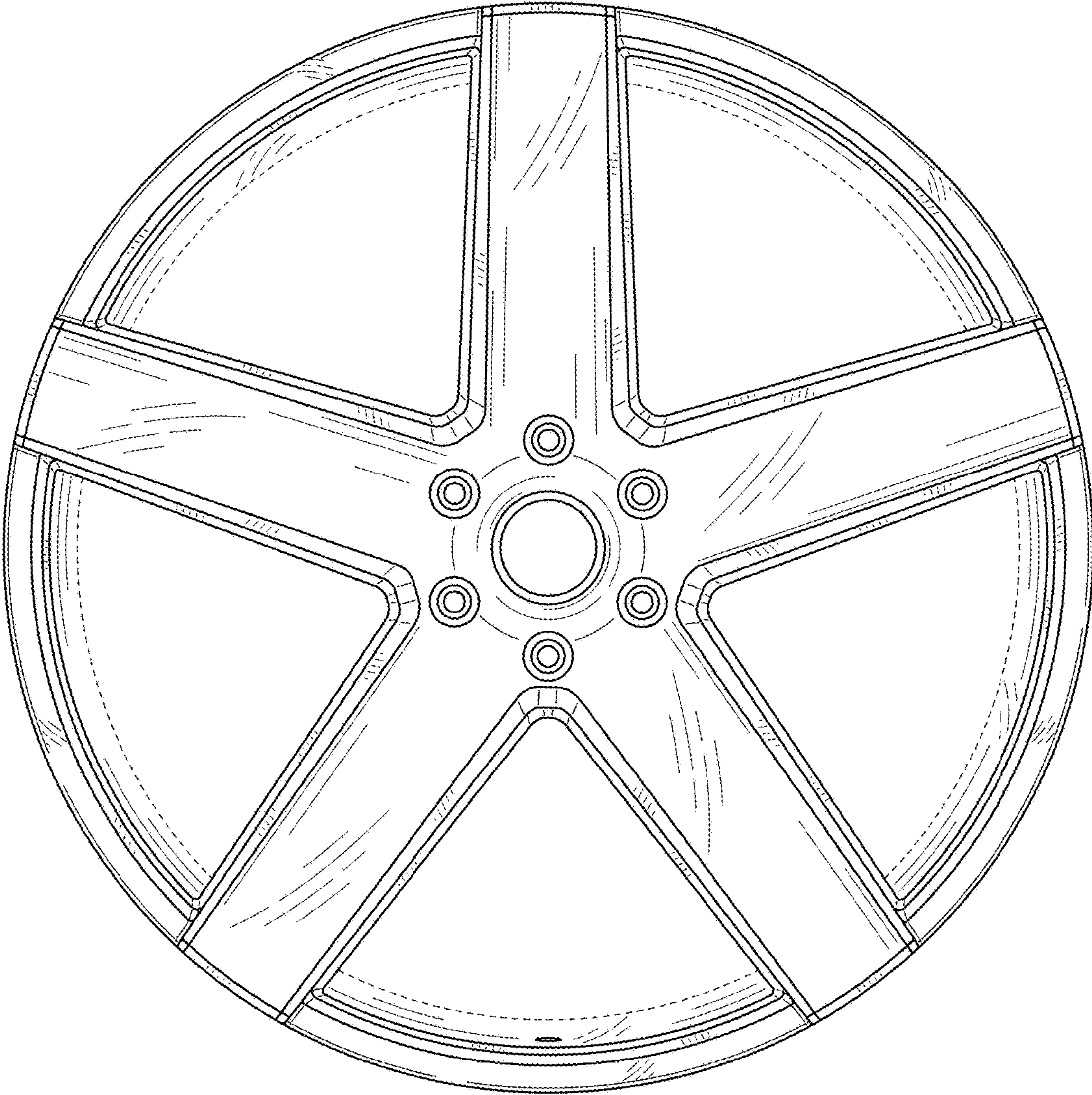


FIG. 9

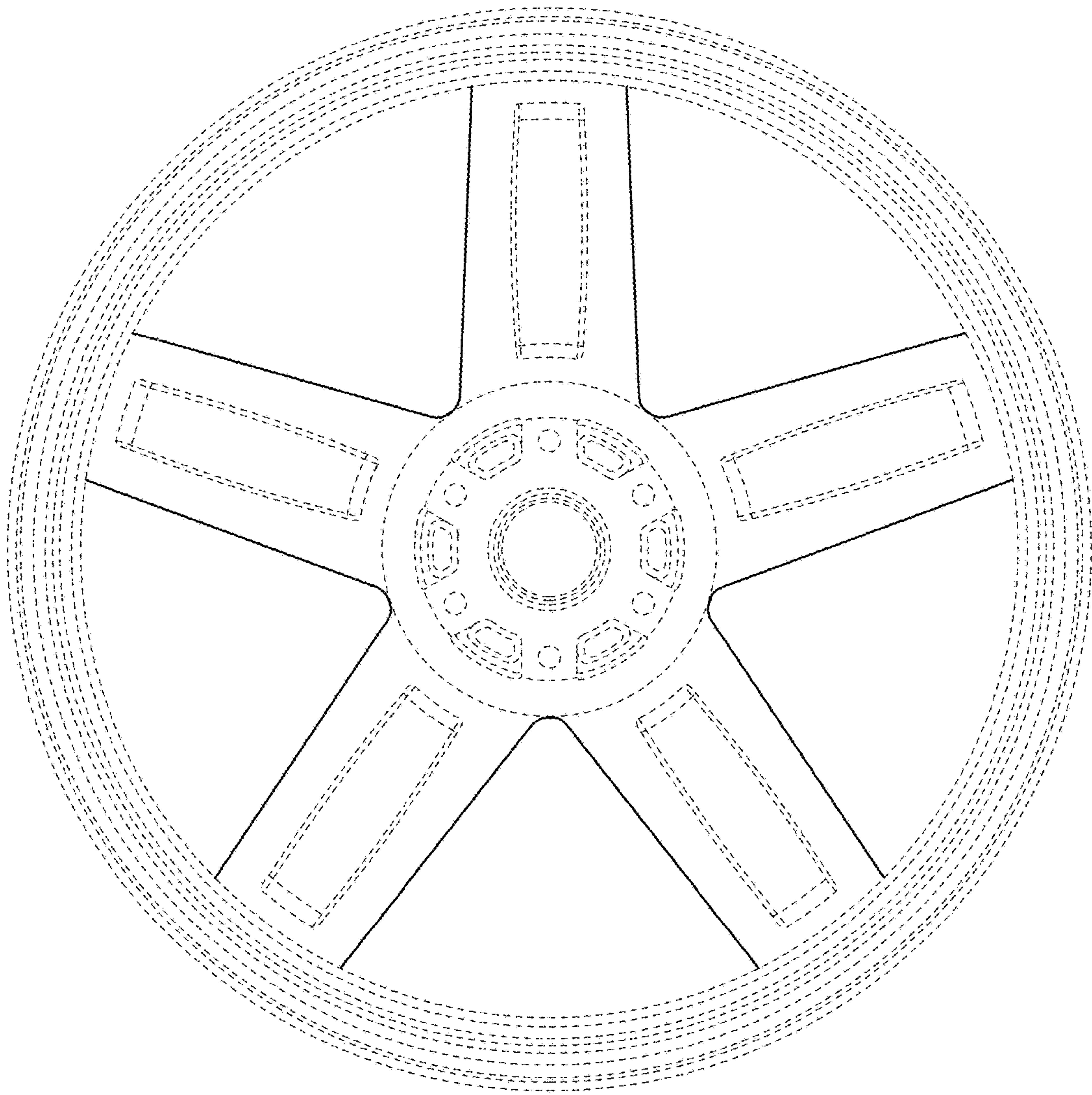


FIG. 10

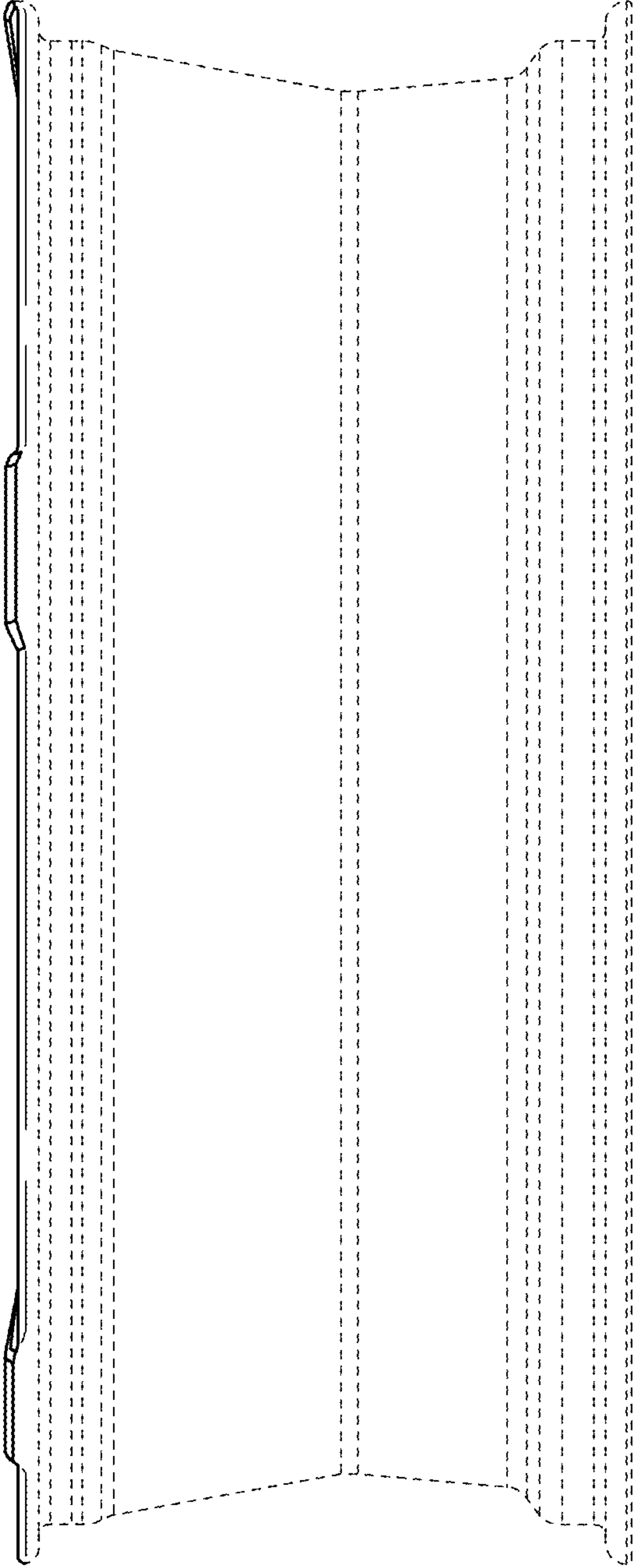


FIG. 11



FIG. 12

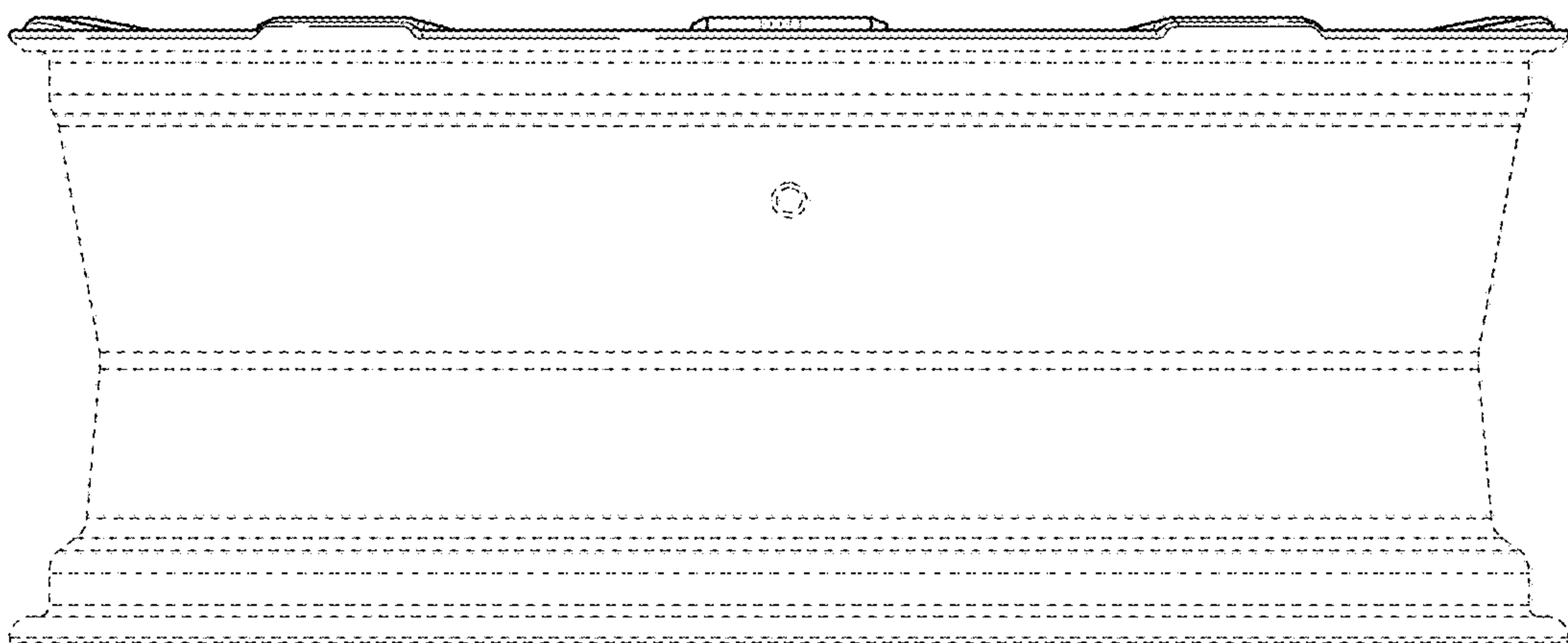


FIG. 13

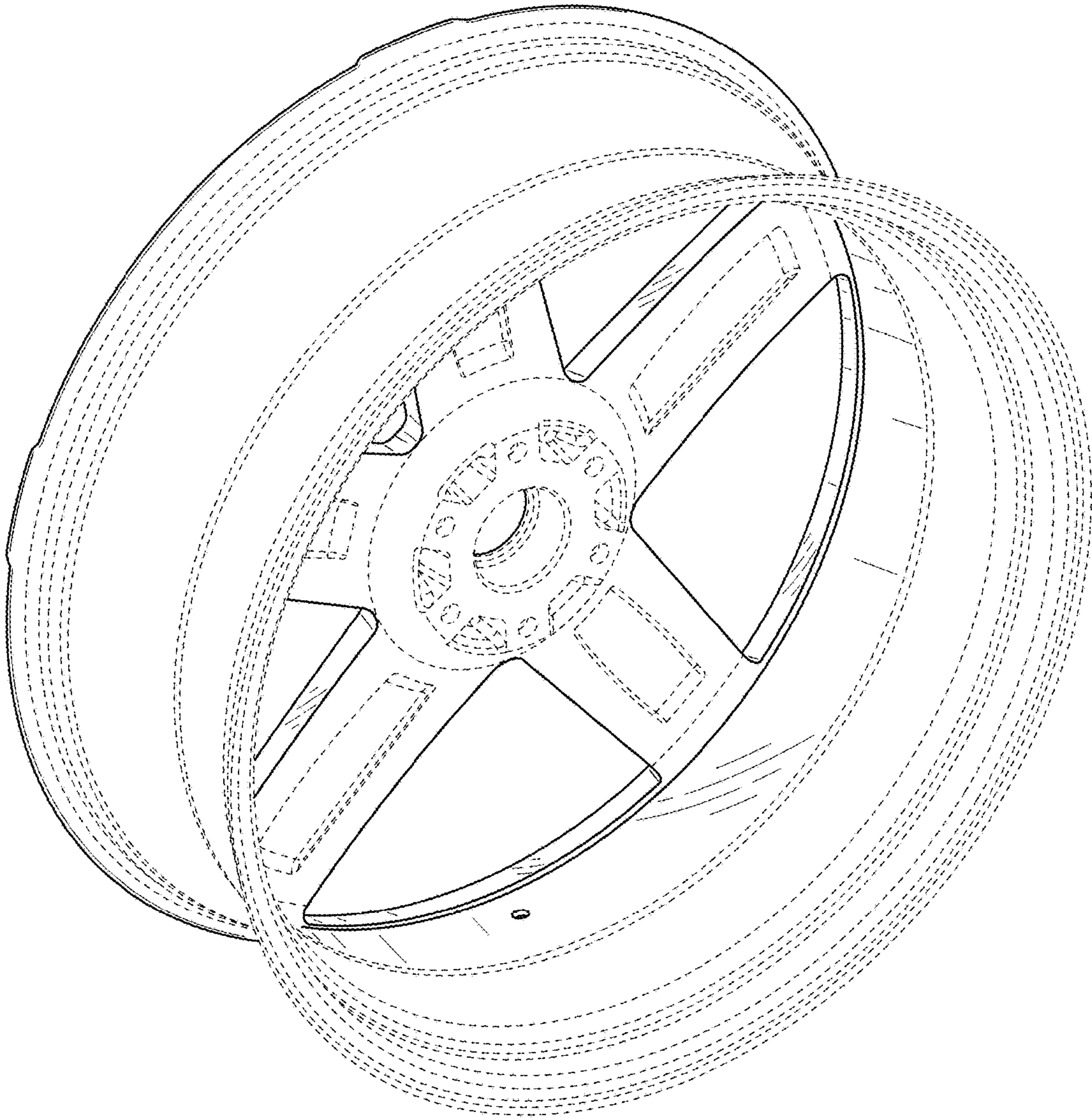


FIG. 14