



US00D792826S

(12) **United States Design Patent**
McMath

(10) **Patent No.:** **US D792,826 S**

(45) **Date of Patent:** **** Jul. 25, 2017**

(54) **TIRE CARRIER**

(71) Applicant: **Robert Roy McMath**, Riverside, CA
(US)

(72) Inventor: **Robert Roy McMath**, Riverside, CA
(US)

(**) Term: **15 Years**

(21) Appl. No.: **29/554,347**

(22) Filed: **Feb. 10, 2016**

(51) **LOC (10) Cl.** **12-16**

(52) **U.S. Cl.**
USPC **D12/202**

(58) **Field of Classification Search**
USPC D12/202, 106, 406, 412
CPC B62D 43/02; B62D 43/06; B62D 43/00;
B60R 9/06; B60D 1/58; B60D 1/075
See application file for complete search history.

(56) **References Cited**

U.S. PATENT DOCUMENTS

D473,835 S * 4/2003 Roehmer D12/202
D484,453 S * 12/2003 Harris D12/406
D505,106 S * 5/2005 Kuseske D12/406

D505,649 S * 5/2005 Kenney D12/202
D562,206 S * 2/2008 Newbill D12/202
D586,287 S * 2/2009 McBride D12/106
D609,619 S * 2/2010 Newbill D12/202
D633,024 S * 2/2011 Harriton D12/202
D720,673 S * 1/2015 Fickling D12/202

* cited by examiner

Primary Examiner — Stacia Cadmus

(74) *Attorney, Agent, or Firm* — Curtis L. Harrington;
Harrington & Harrington

(57) **CLAIM**

The ornamental design for a tire carrier, as shown and described.

DESCRIPTION

FIG. 1 is an perspective view of a tire carrier showing my new design, show in its position of use;
FIG. 2 is a front side elevation view thereof;
FIG. 3 is a rear side elevation view thereof;
FIG. 4 is a right side view thereof;
FIG. 5 is left side view thereof;
FIG. 6 is a top side view thereof; and,
FIG. 7 is a bottom side view thereof.

The even broken lines illustrate environmental matter related to the tire carrier that form no part of the design.

The tire carrier is shown on an enlarged scale in FIGS. 2-7.

1 Claim, 4 Drawing Sheets

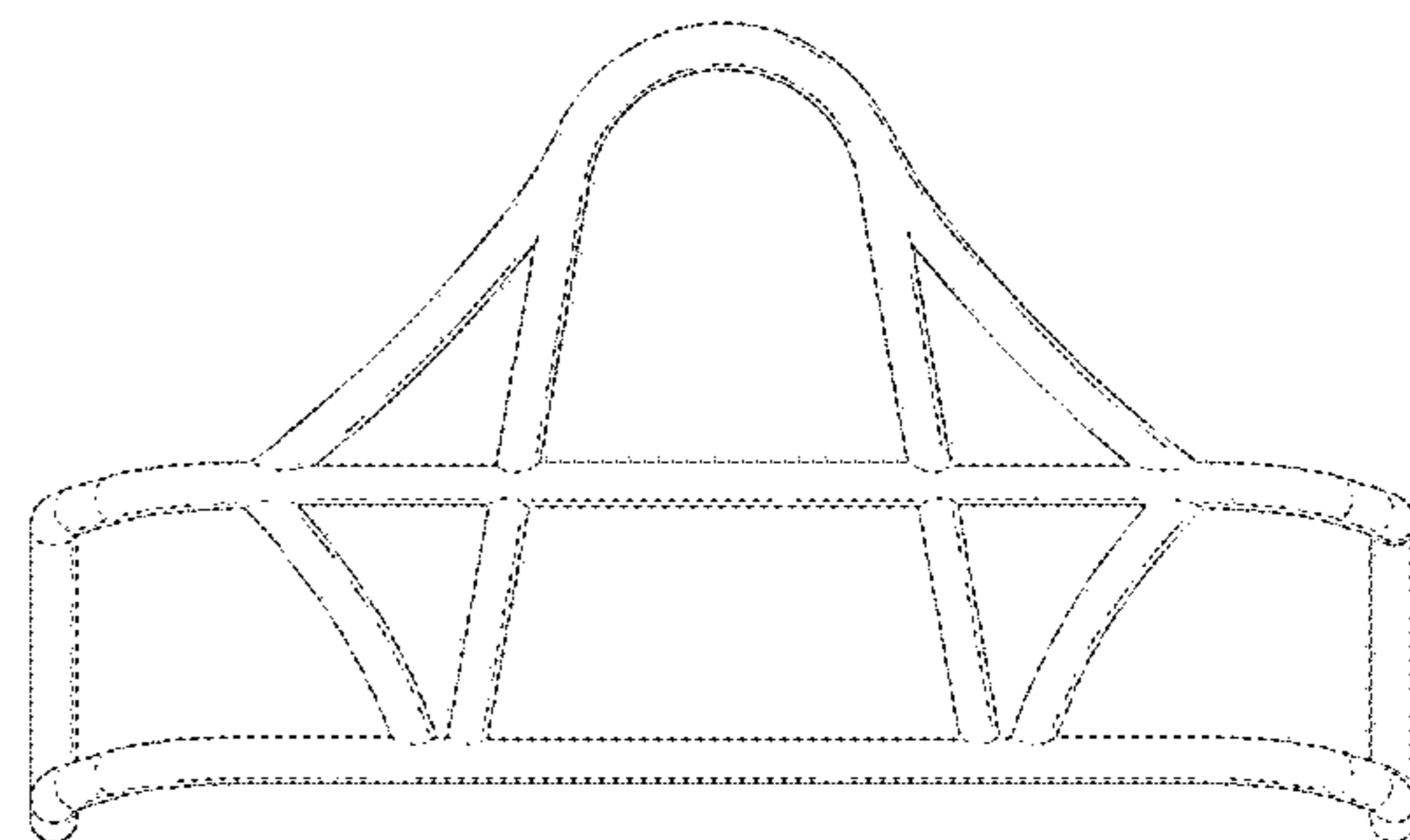
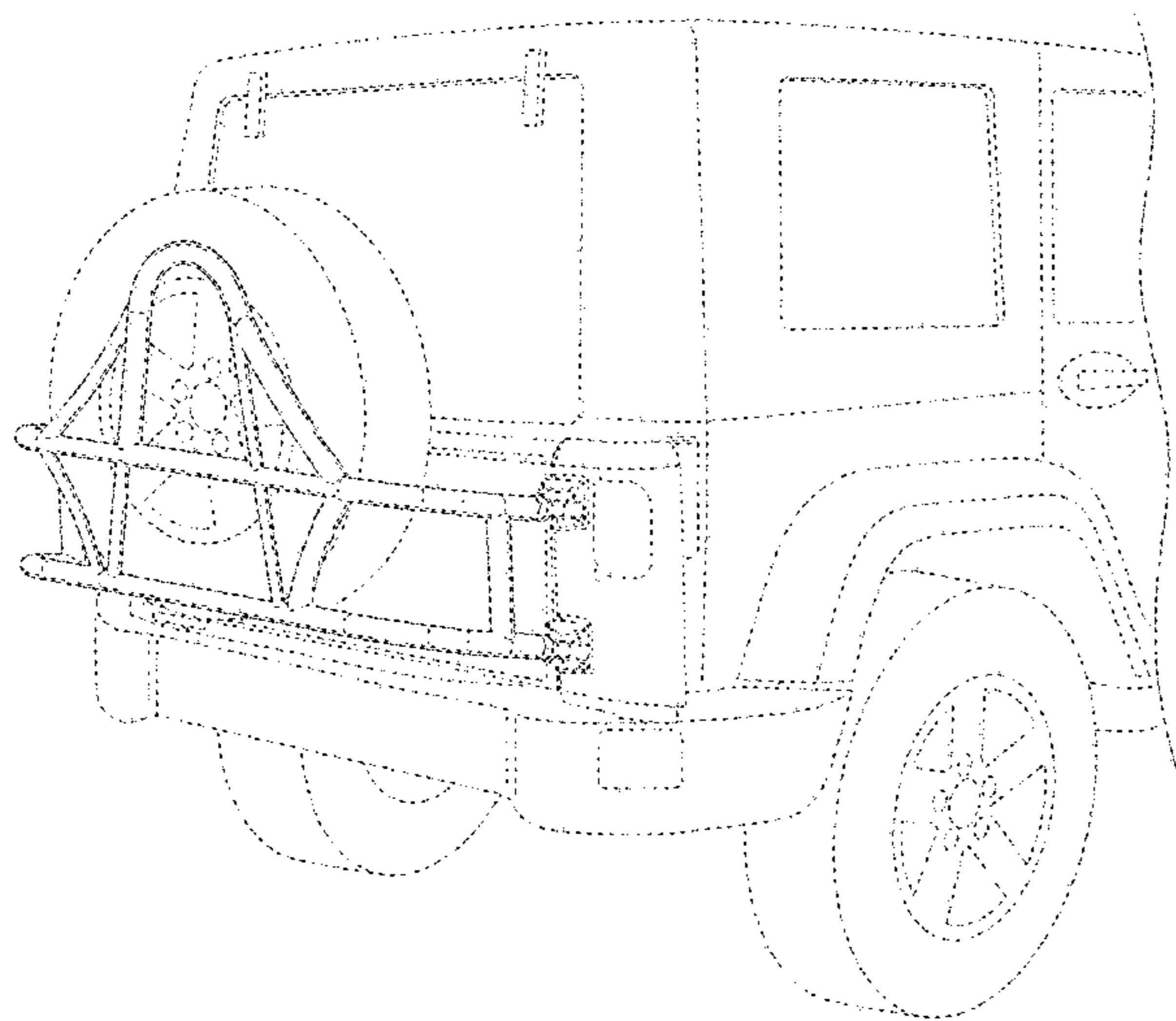


Fig. 1

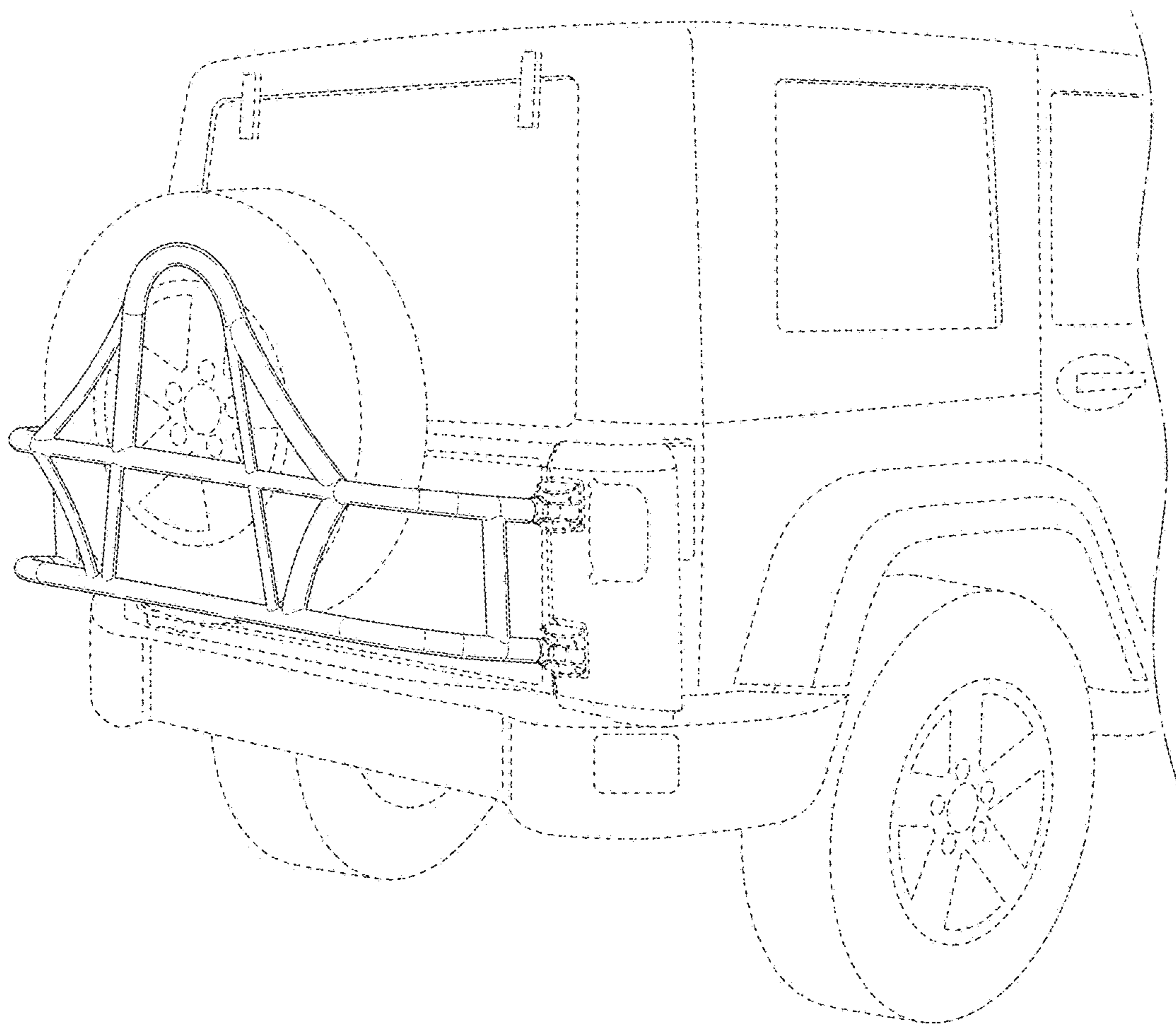


Fig. 2

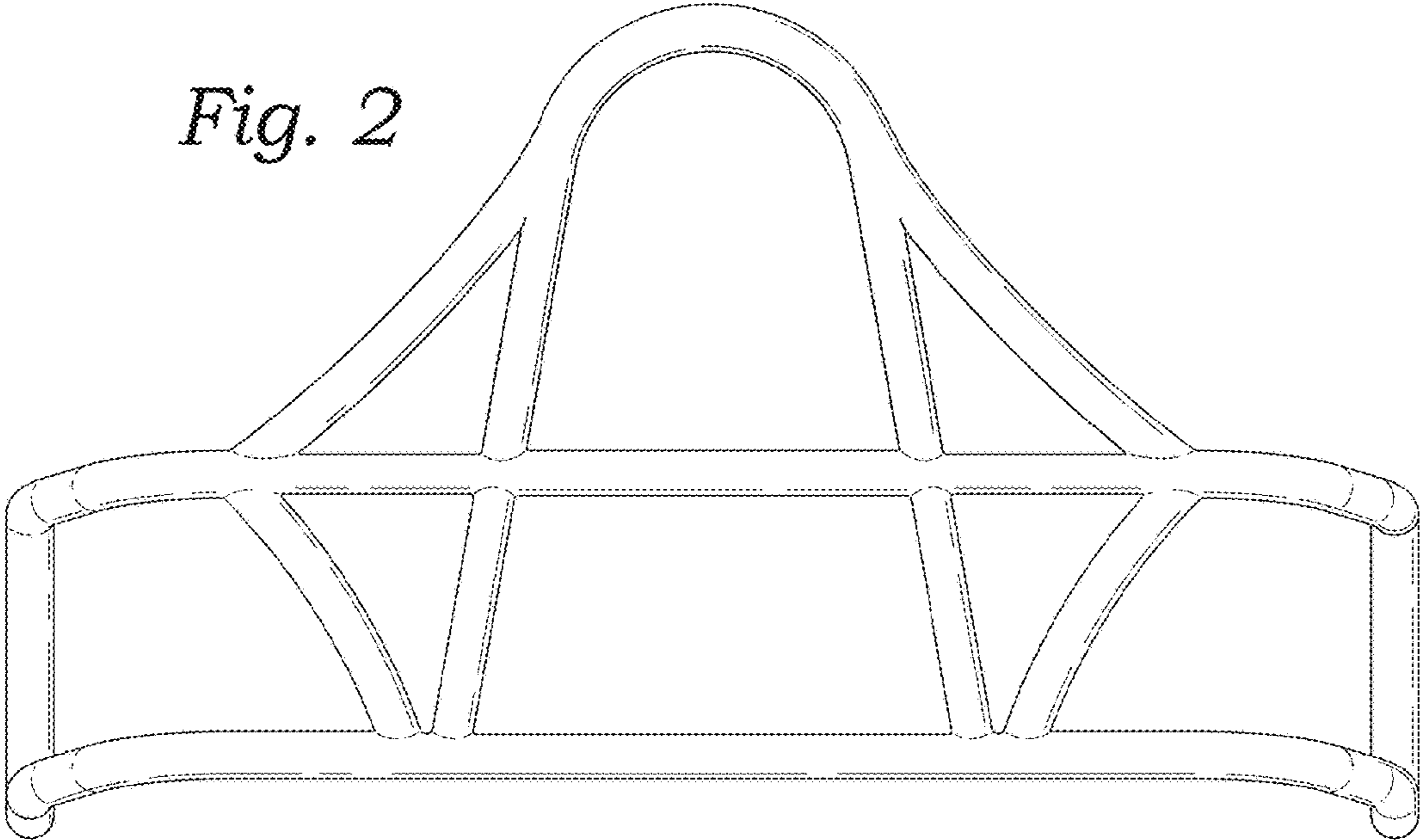


Fig. 3

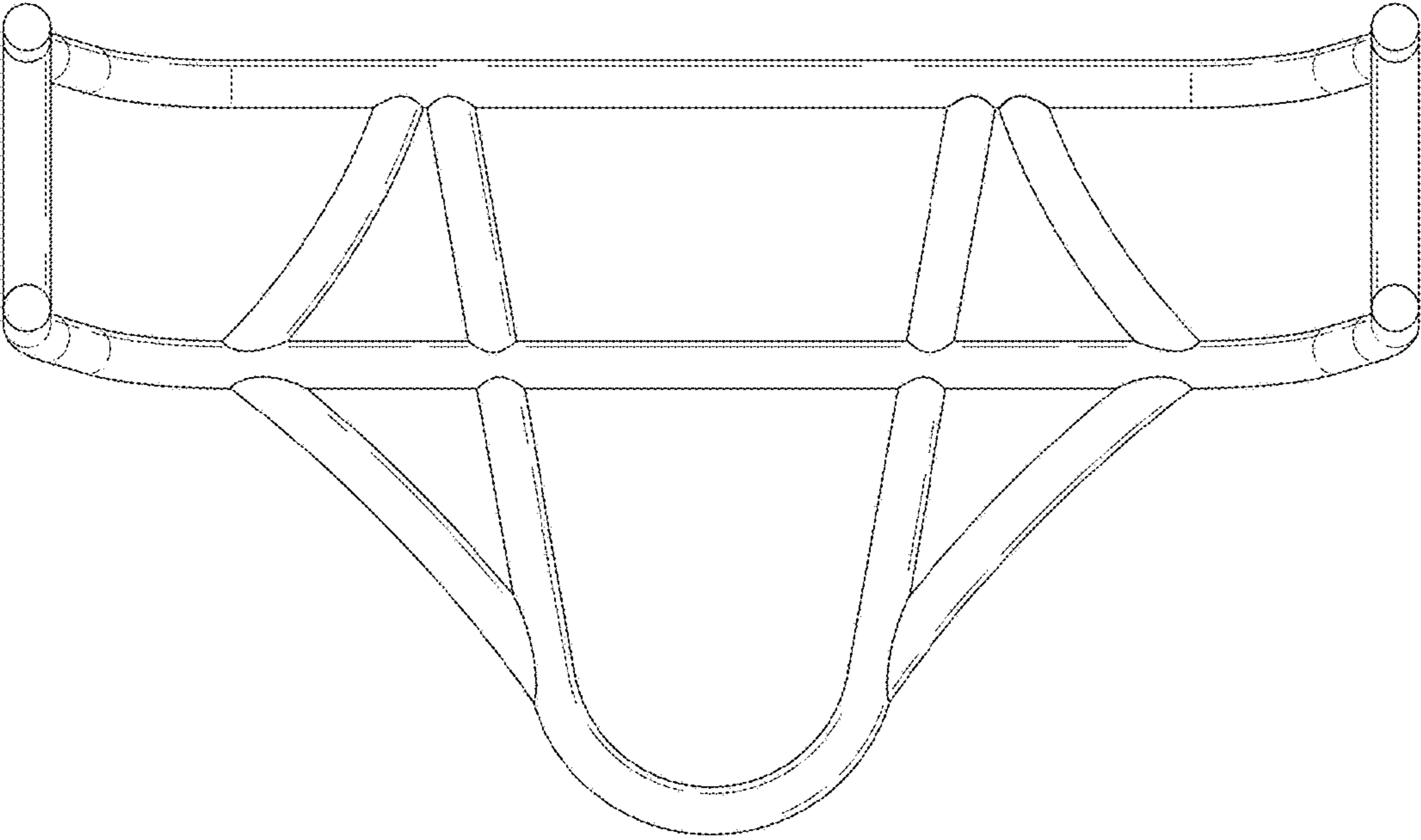


Fig. 4

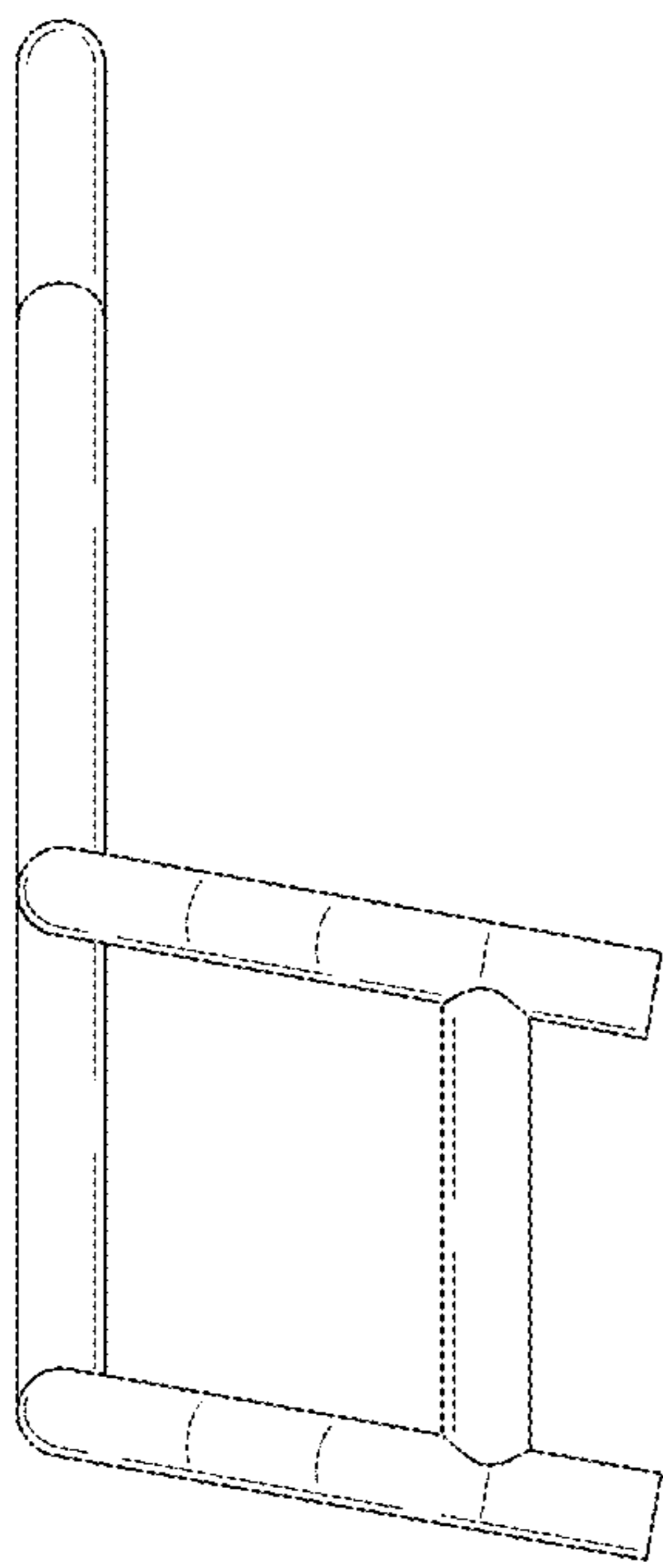


Fig. 5

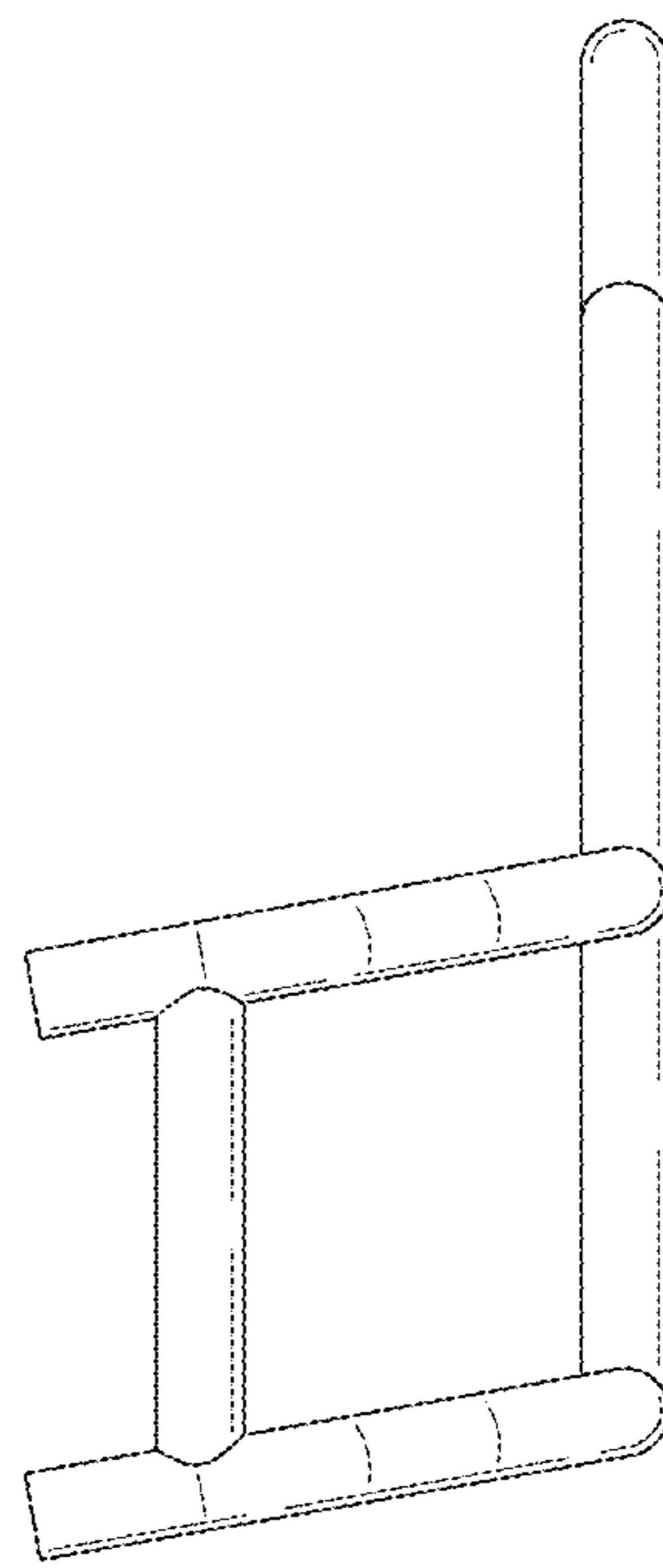


Fig. 6

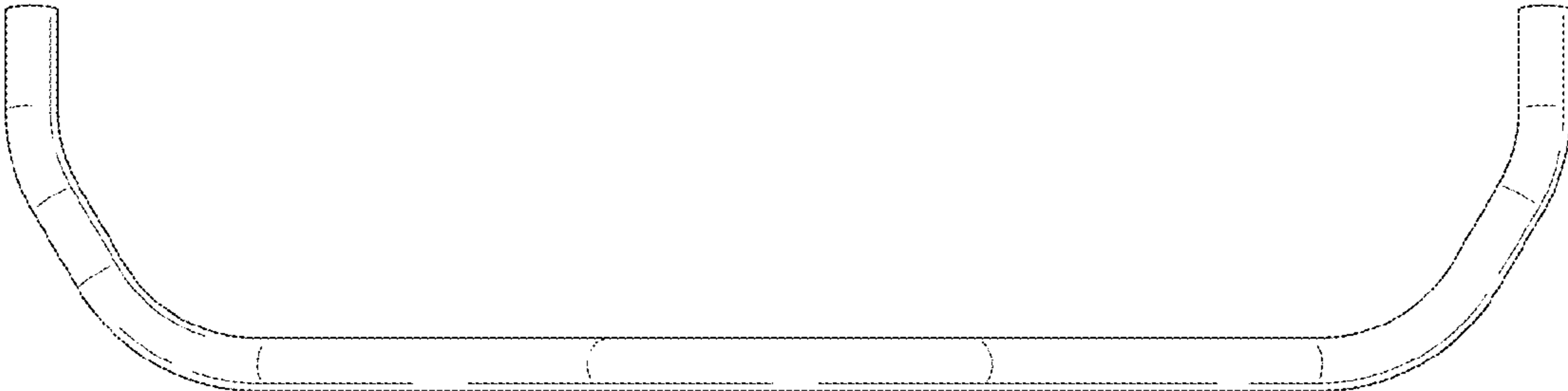


Fig. 7

