



US00D792825S

(12) **United States Design Patent**  
**Filakousky**

(10) **Patent No.:** **US D792,825 S**

(45) **Date of Patent:** **\*\* Jul. 25, 2017**

- (54) **LICENSE PLATE FRAME**
- (71) Applicant: **Gerald Filakousky**, Corona, CA (US)
- (72) Inventor: **Gerald Filakousky**, Corona, CA (US)
- (\*\*) Term: **15 Years**
- (21) Appl. No.: **29/553,163**
- (22) Filed: **Jan. 28, 2016**
- (51) **LOC (10) Cl.** ..... **12-16**
- (52) **U.S. Cl.**  
USPC ..... **D12/193**
- (58) **Field of Classification Search**  
USPC ..... D12/193; D6/300, 301, 302, 310, 311,  
D6/312, 313, 314; D20/13  
CPC ..... B60R 13/10; B60R 13/105; B60R 19/24;  
B60R 19/52  
See application file for complete search history.

- D662,448 S \* 6/2012 Krankkala ..... D12/193
- D676,792 S \* 2/2013 Benjamini ..... D12/193
- D689,803 S \* 9/2013 Spencer ..... D12/193
- D691,534 S \* 10/2013 Spencer ..... D12/193
- D715,203 S \* 10/2014 Spencer ..... D12/193

\* cited by examiner

*Primary Examiner* — George D Kirschbaum  
*Assistant Examiner* — Natasha Vujcic  
(74) *Attorney, Agent, or Firm* — The Law Office of  
Austin Bonderer, PC; Austin Bonderer

(57) **CLAIM**

I claim, the ornamental design for a license plate frame, as shown and described.

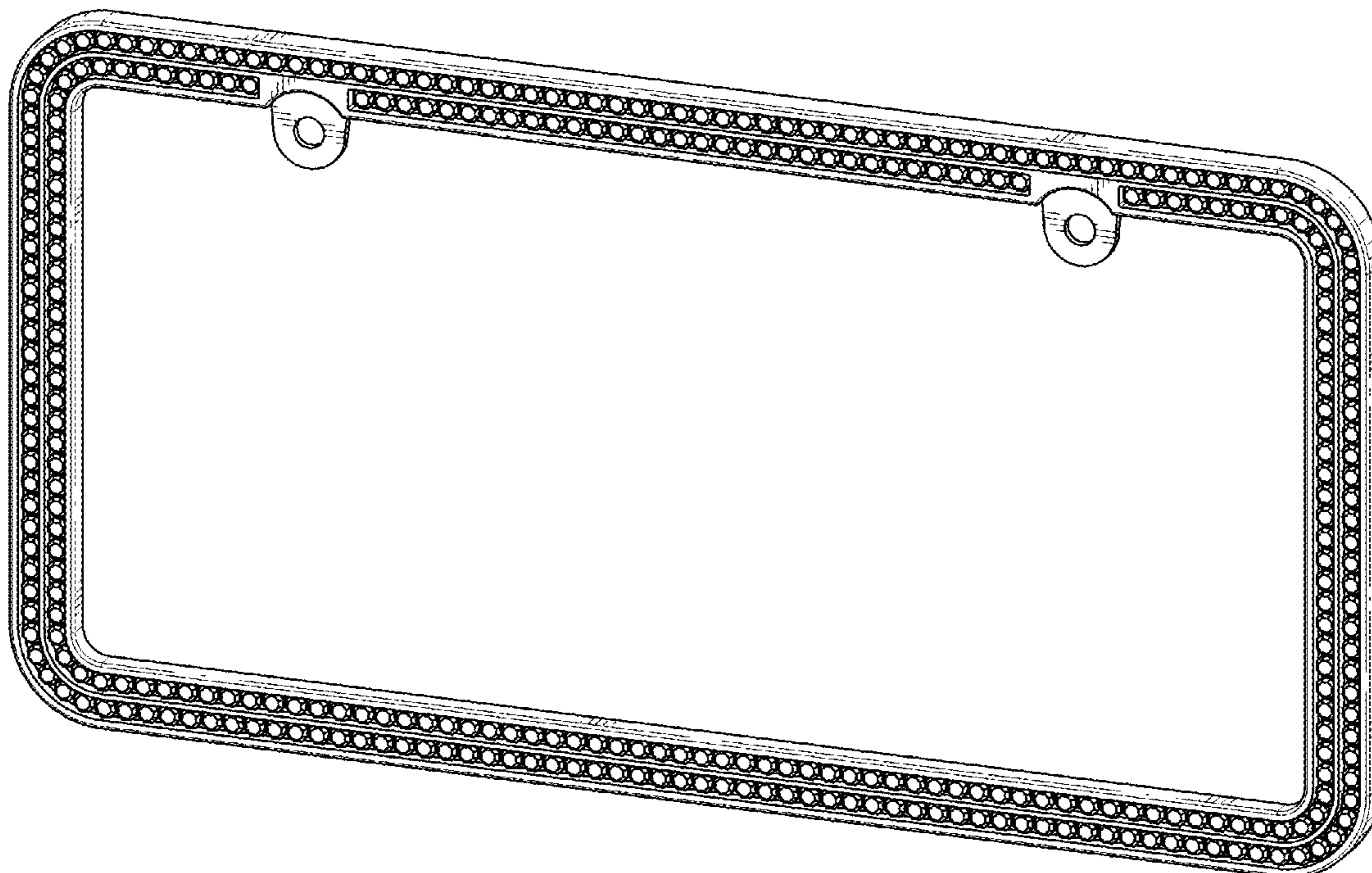
**DESCRIPTION**

FIG. 1 is a perspective view of a license plate frame showing my new design;  
FIG. 2 is a front view thereof;  
FIG. 3 is a rear view thereof  
FIG. 4 is a top view thereof;  
FIG. 5 is a bottom view thereof;  
FIG. 6 is a right side view thereof; and,  
FIG. 7 is a left side view thereof.  
The broken lines showing of portions of the license plate frame are for the purpose of illustrating environmental structure and form no part of the claimed design.

**1 Claim, 5 Drawing Sheets**

(56) **References Cited**  
U.S. PATENT DOCUMENTS

- D521,916 S \* 5/2006 Spencer ..... D12/193
- D524,210 S \* 7/2006 Spencer ..... D12/193
- D537,395 S \* 2/2007 Magee ..... D12/193
- D538,722 S \* 3/2007 Tofer ..... D12/193
- D602,831 S \* 10/2009 Spencer ..... D12/193
- D602,832 S \* 10/2009 Tharp ..... D12/193
- D636,713 S \* 4/2011 Ohm ..... D12/193
- D640,177 S \* 6/2011 Ohm ..... D12/193
- D650,729 S \* 12/2011 Dong ..... D12/193



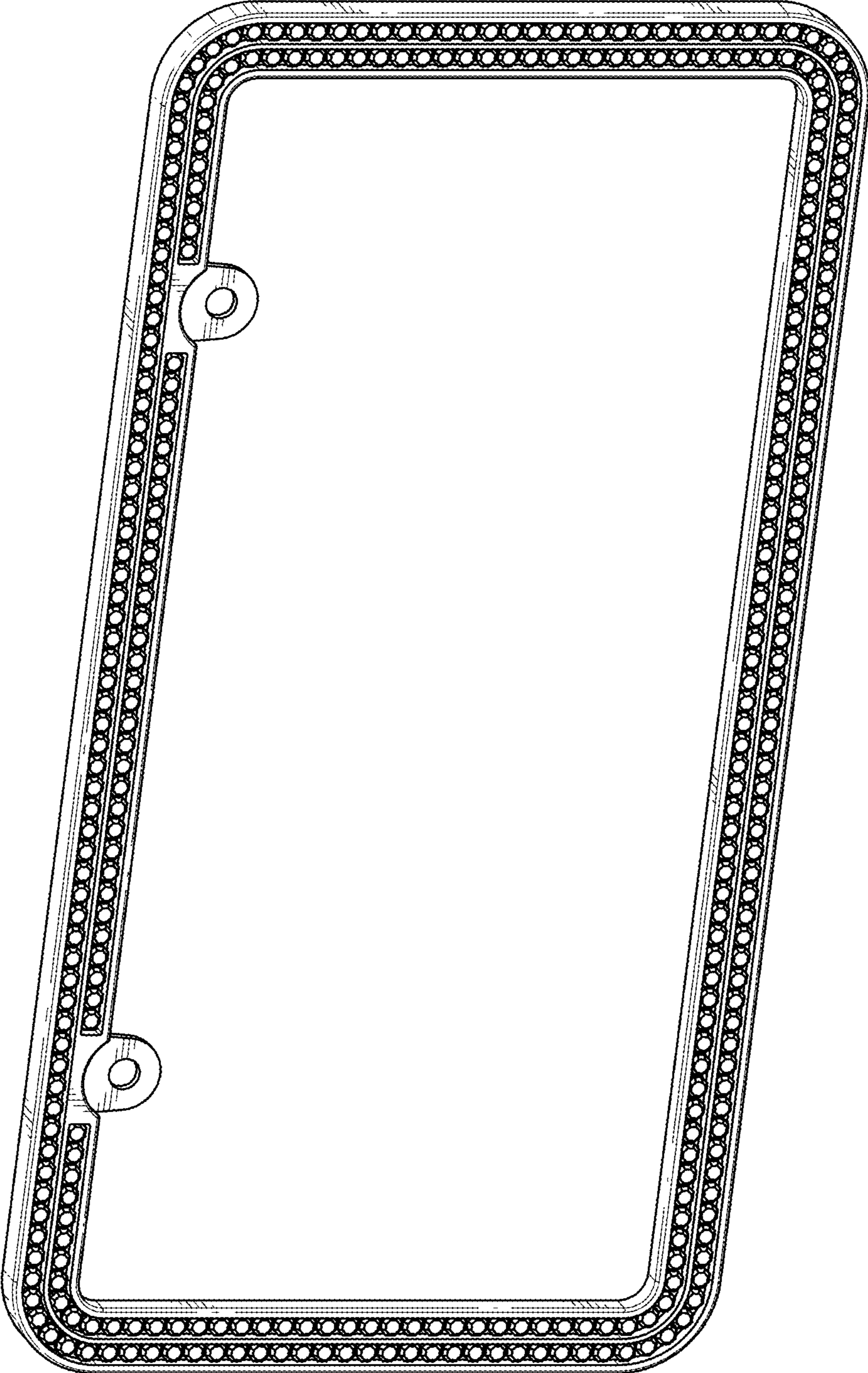


FIG. 1

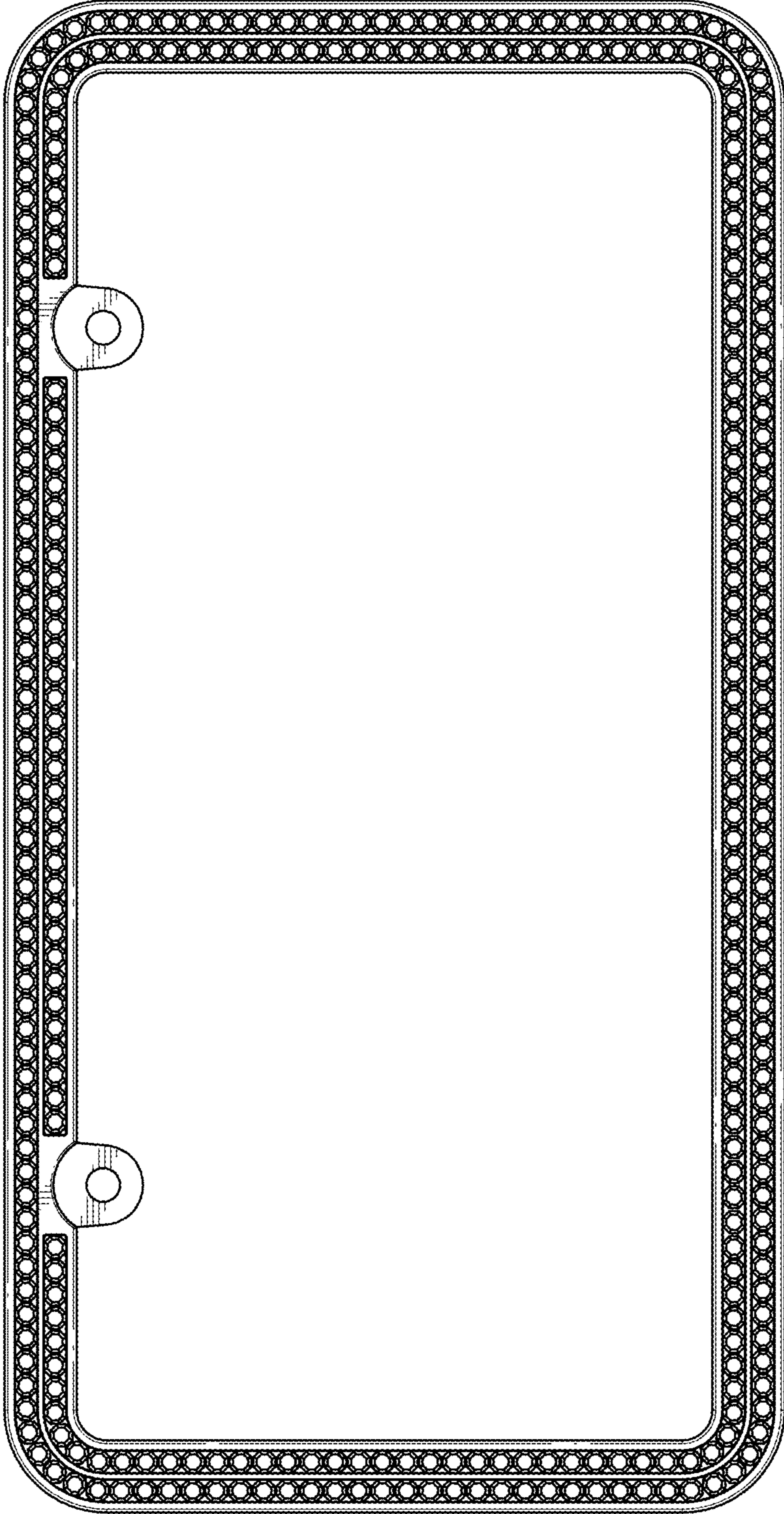


FIG. 2

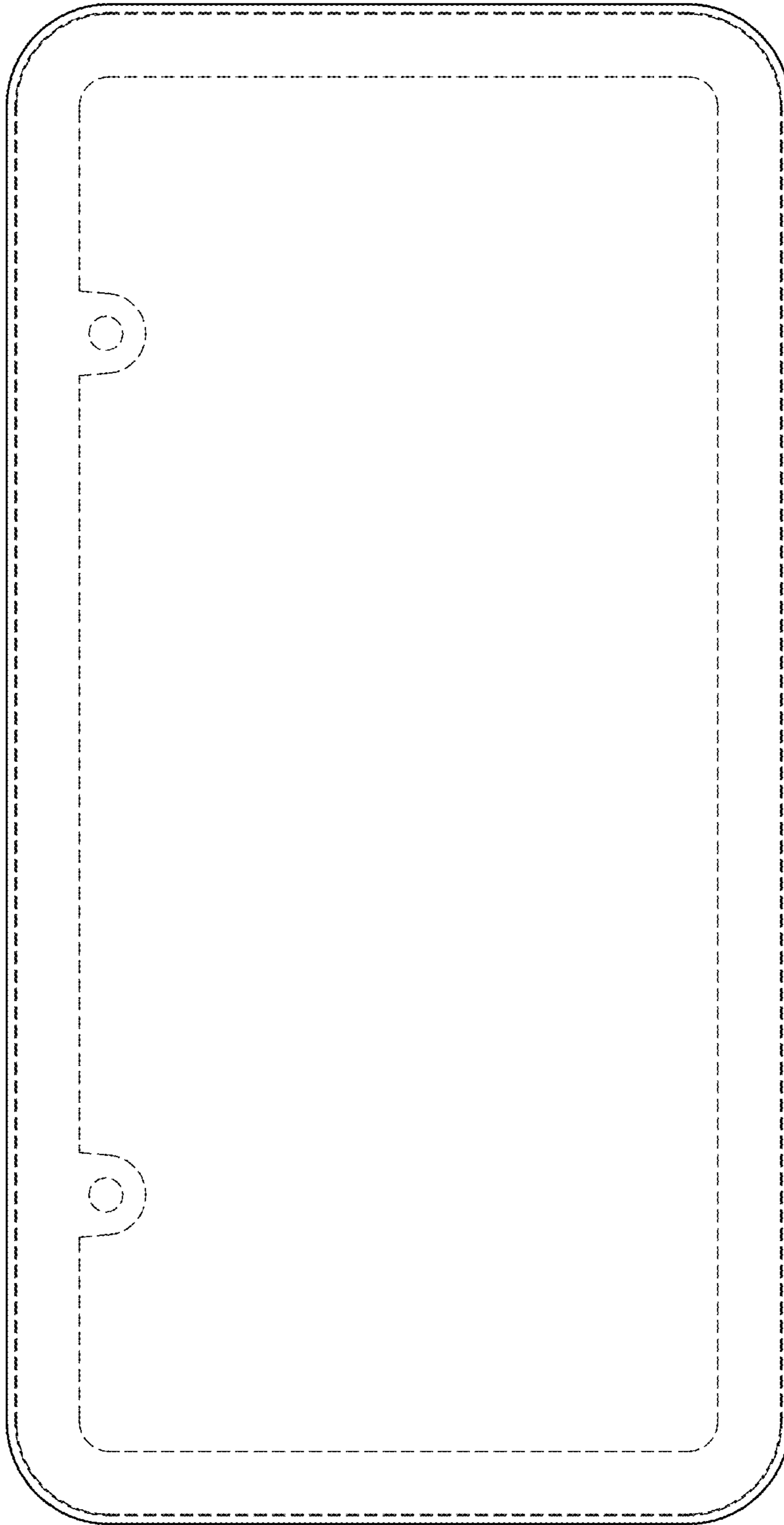
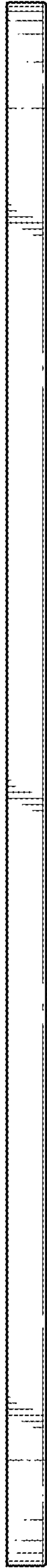
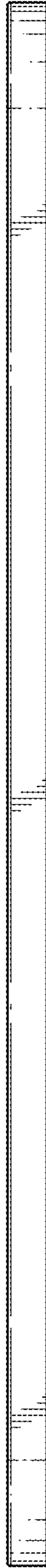


FIG. 3



*FIG. 4*



*FIG. 5*



*FIG. 7*



*FIG. 6*