



US00D792821S

(12) **United States Design Patent**  
**Greger**

(10) **Patent No.:** **US D792,821 S**

(45) **Date of Patent:** **\*\* Jul. 25, 2017**

(54) **RETRACTABLE WINDSHIELD SHADE**

(71) Applicant: **Maryanne Greger**, Naples, FL (US)

(72) Inventor: **Maryanne Greger**, Naples, FL (US)

(\*\*) Term: **15 Years**

(21) Appl. No.: **29/567,322**

(22) Filed: **Jun. 7, 2016**

(51) **LOC (10) Cl.** ..... **12-16**

(52) **U.S. Cl.**  
USPC ..... **D12/183**

(58) **Field of Classification Search**  
USPC ..... D12/183, 191, 180–182, 417, 174,  
D12/400–401, 184–185, 106, 311–312  
CPC . B60J 1/20; B60J 3/0208; B60J 1/2008; B60J  
1/2005; B60J 1/2002; B60J 3/0204  
See application file for complete search history.

(56) **References Cited**

U.S. PATENT DOCUMENTS

5,653,277	A *	8/1997	Kerner	.....	B60J 1/2044
					160/264
6,227,600	B1 *	5/2001	Chen	.....	B60J 1/2047
					296/97.2
6,527,329	B2 *	3/2003	Bauer	.....	B60J 3/0208
					296/97.4
D482,994	S *	12/2003	Hilton	.....	D12/191
D554,030	S *	10/2007	Eskandry	.....	D12/183
D672,294	S *	12/2012	Thompson	.....	D12/183
D695,170	S *	12/2013	Eskandry	.....	D12/183

8,708,028	B2 *	4/2014	Oh	.....	B60J 1/2025
					160/274
D719,073	S *	12/2014	Chou	.....	D12/183
8,939,189	B2 *	1/2015	Ojima	.....	B60J 1/2022
					160/120
D761,592	S *	7/2016	Freese	.....	D6/580
D762,078	S *	7/2016	Freese	.....	D6/580
D773,969	S *	12/2016	Akins	.....	D12/183

\* cited by examiner

*Primary Examiner* — Katrina A Betton

(74) *Attorney, Agent, or Firm* — Ferris H. Lander, Inc.

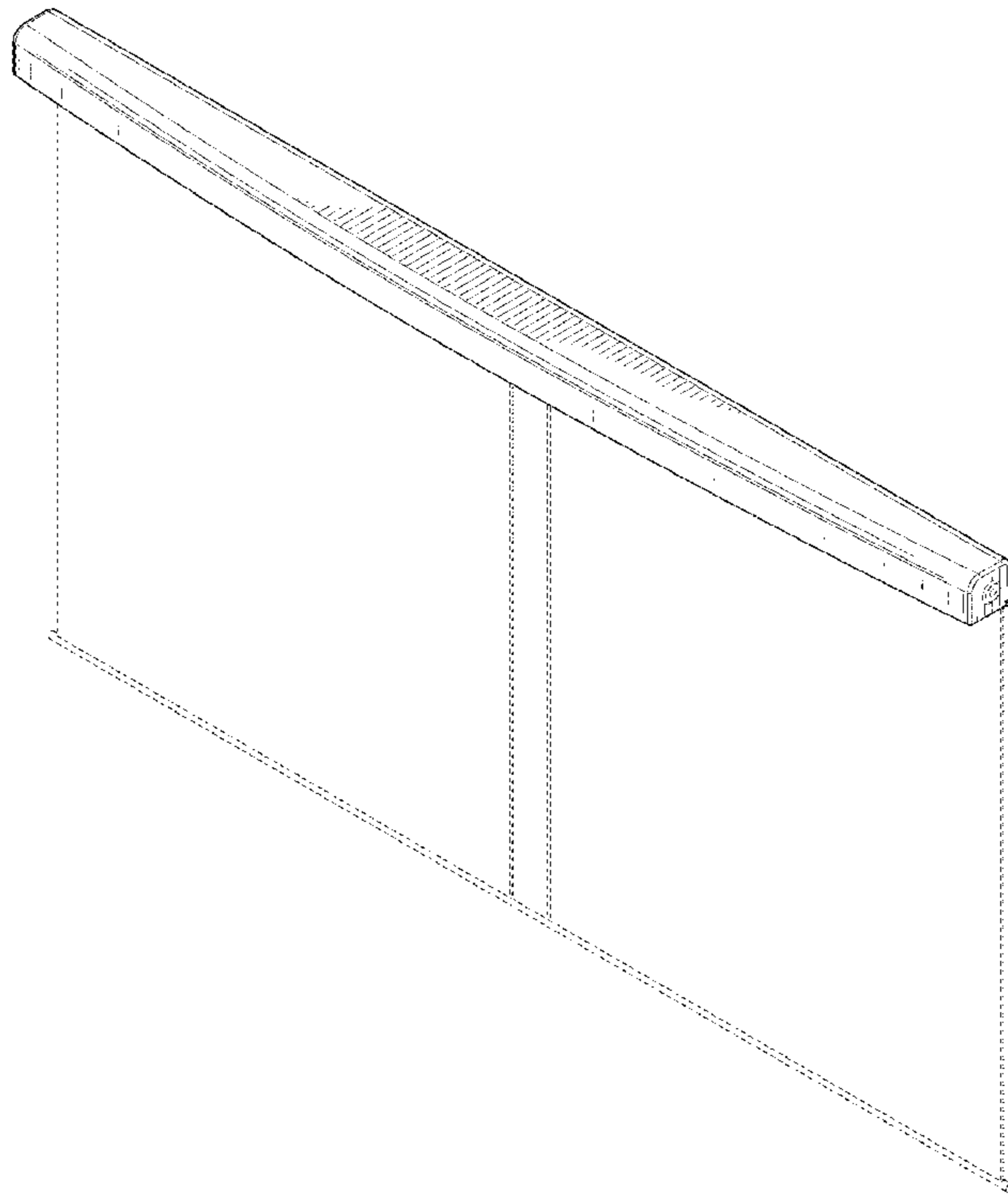
(57) **CLAIM**

The ornamental design for a retractable windshield shade, as shown and described.

**DESCRIPTION**

FIG. 1 is a front perspective view of the retractable windshield shade of the instant invention;  
 FIG. 2 is a rear perspective view of the retractable windshield shade of the instant invention  
 FIG. 3 is a front view thereof;  
 FIG. 4 is a rear view thereof;  
 FIG. 5 is a left side view thereof;  
 FIG. 6 is a right side view thereof;  
 FIG. 7 is a top plan view thereof; and,  
 FIG. 8 is a bottom plan view thereof.  
 The broken lines shown in the figures (portions of the design shown in broken/dashed lines) are included for the purpose of illustrating environment and form no part of the claimed design.

**1 Claim, 6 Drawing Sheets**



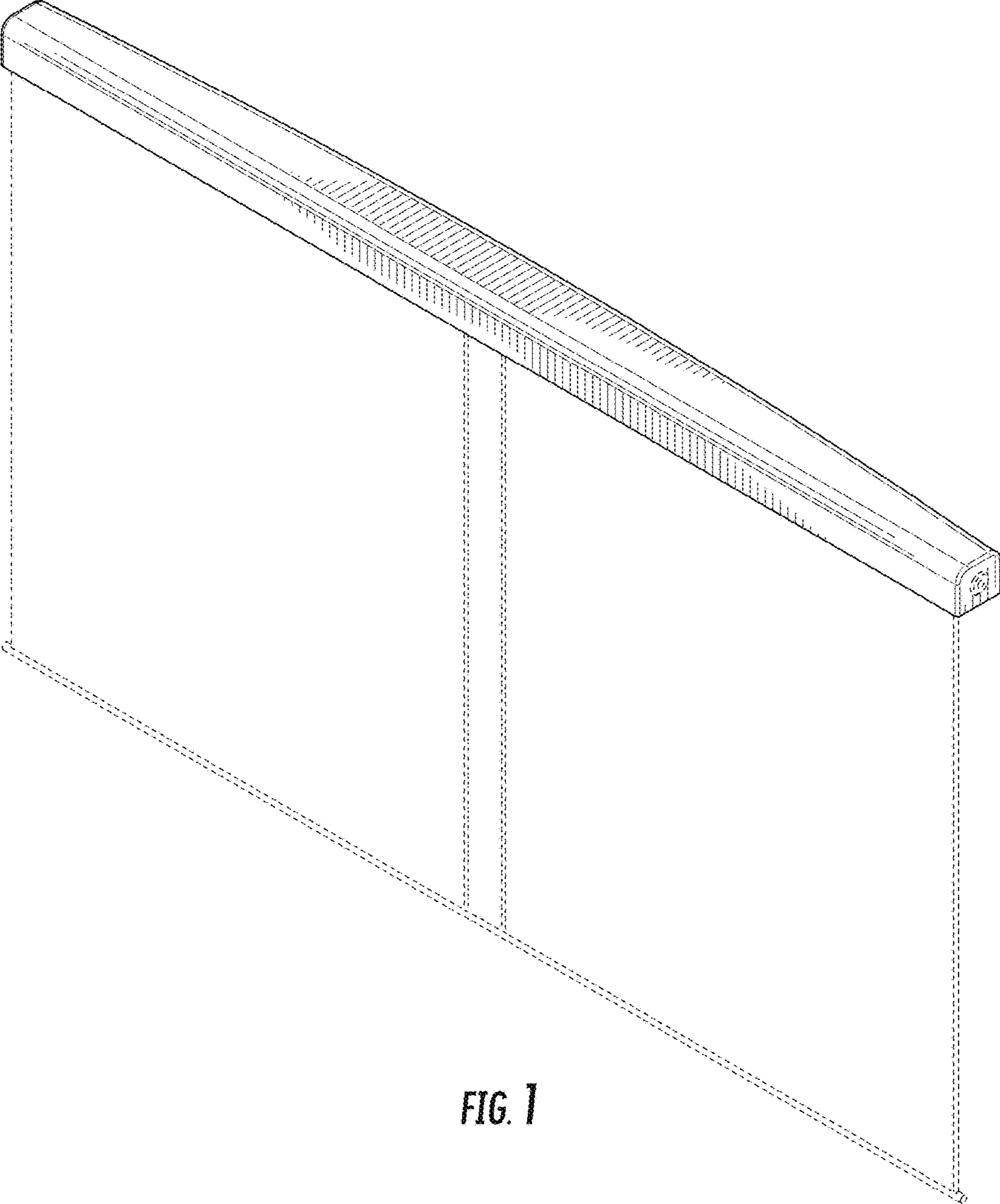


FIG. 1

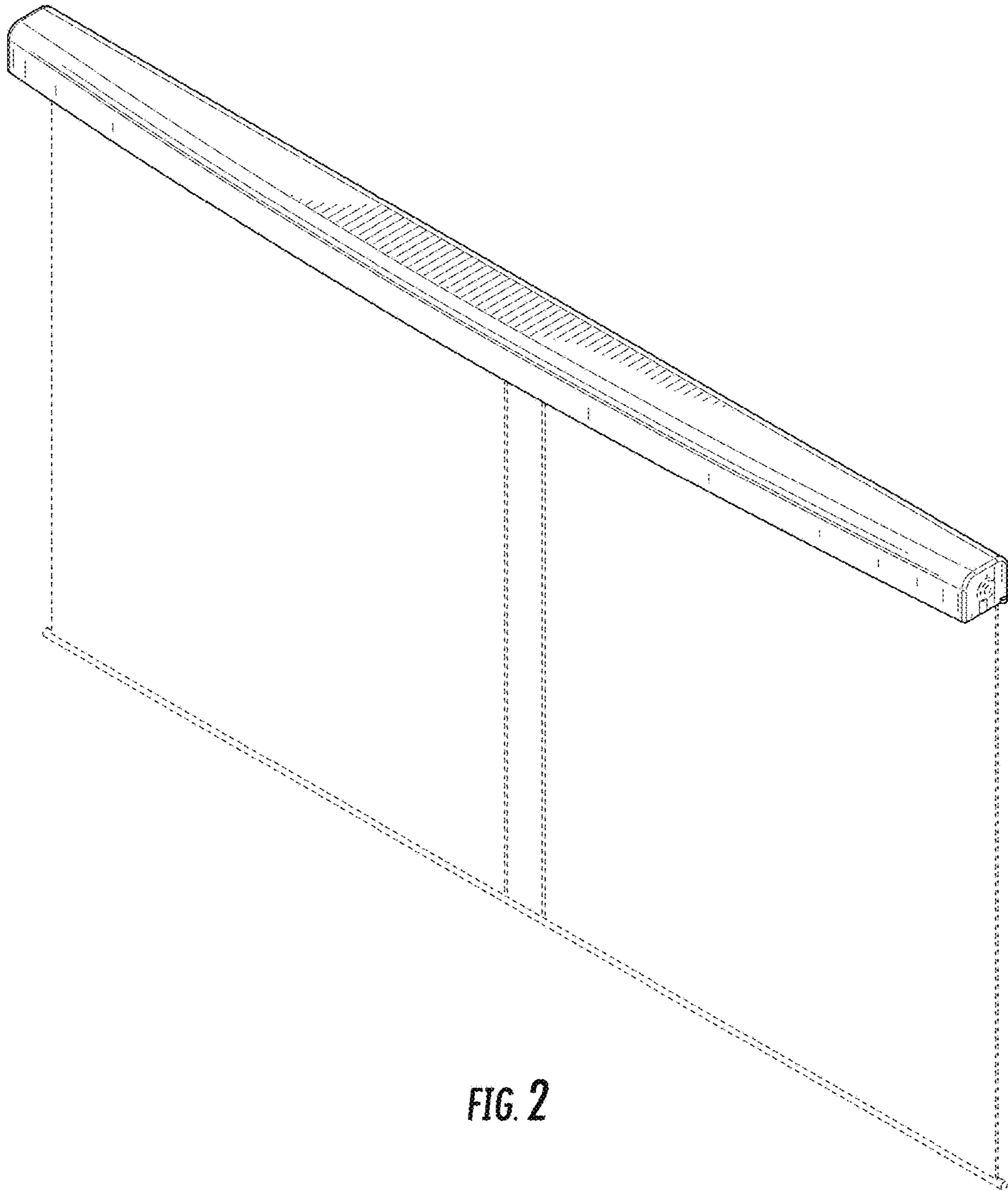


FIG. 2

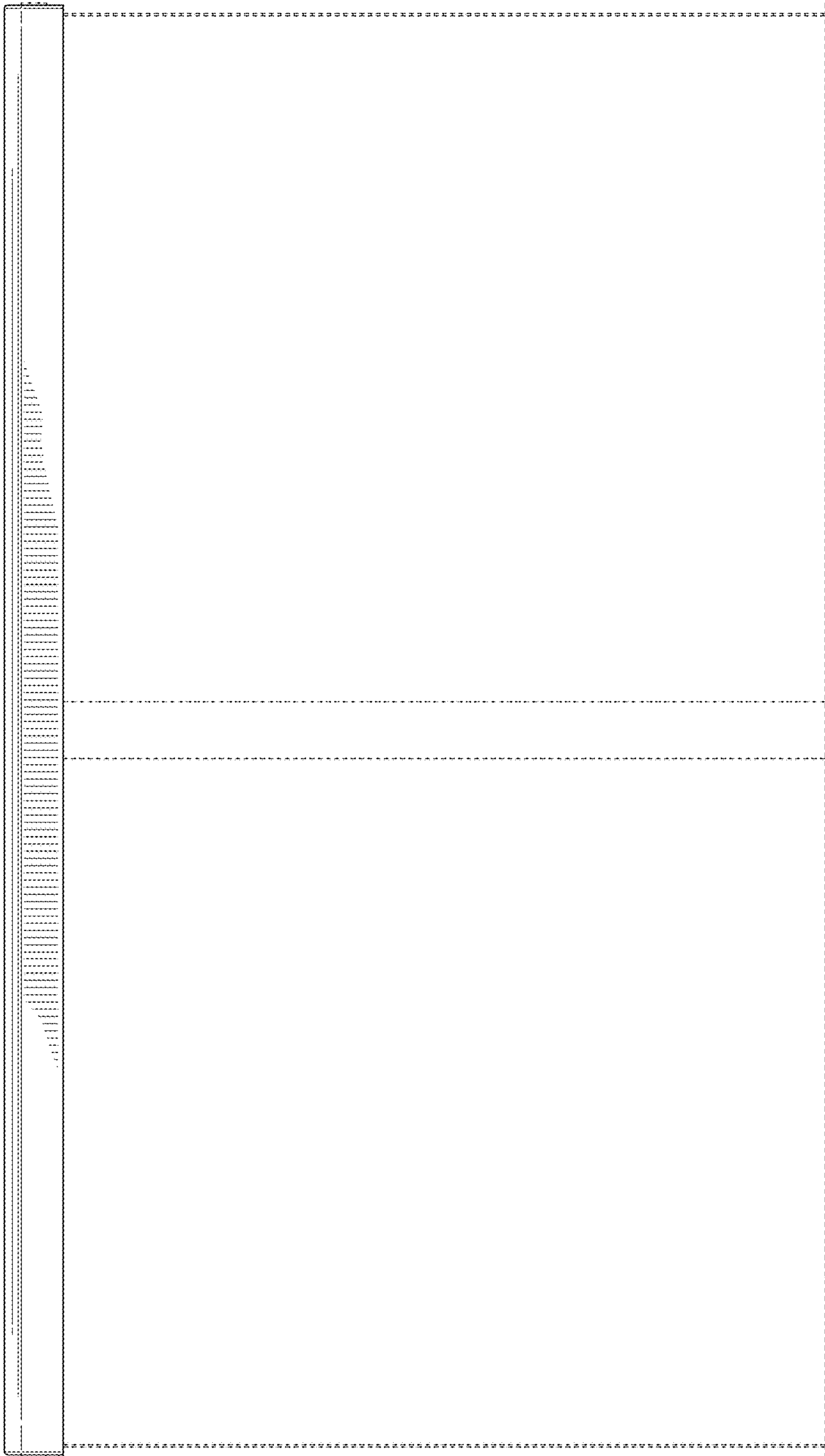


FIG. 3

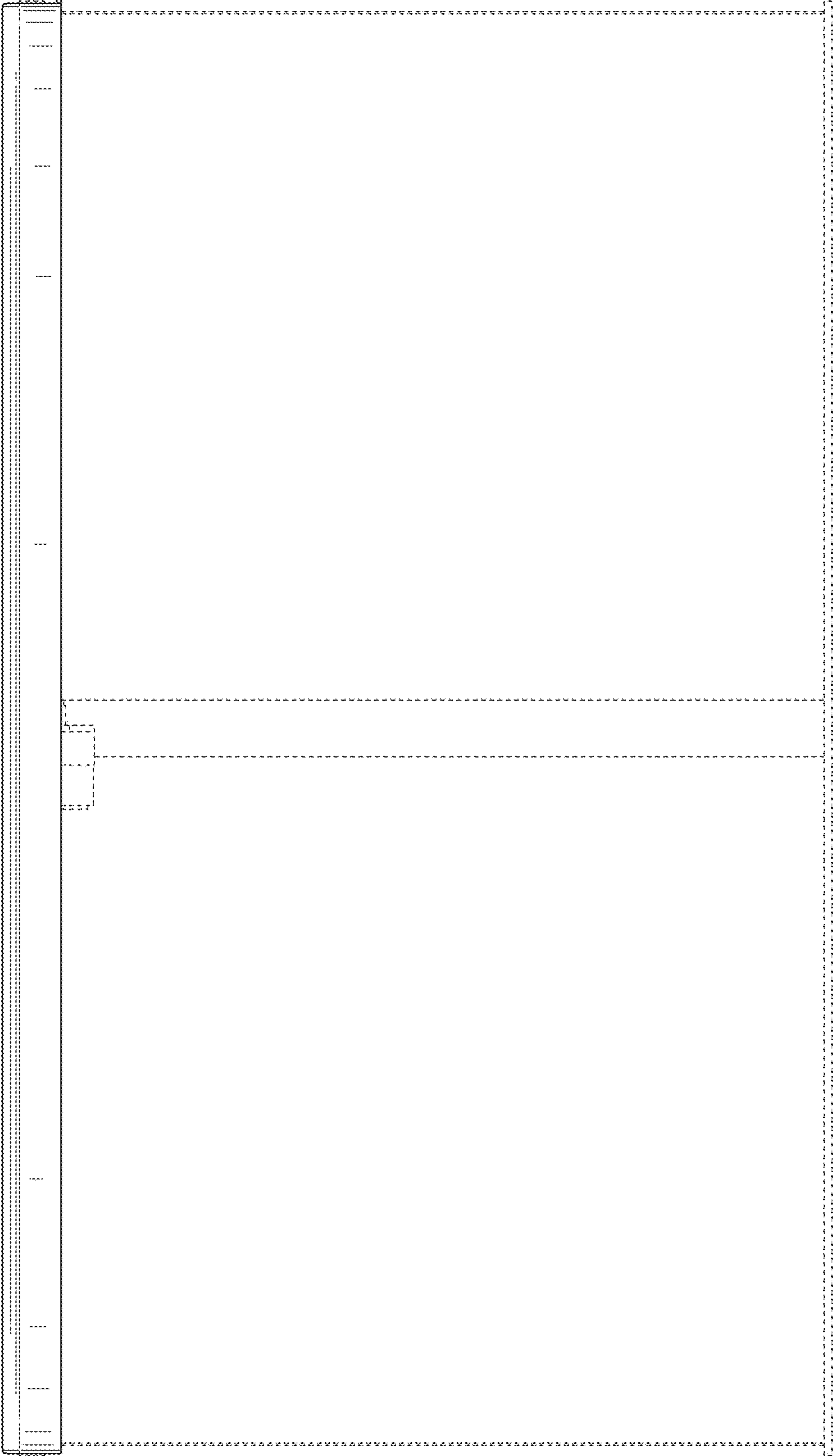


FIG. 4

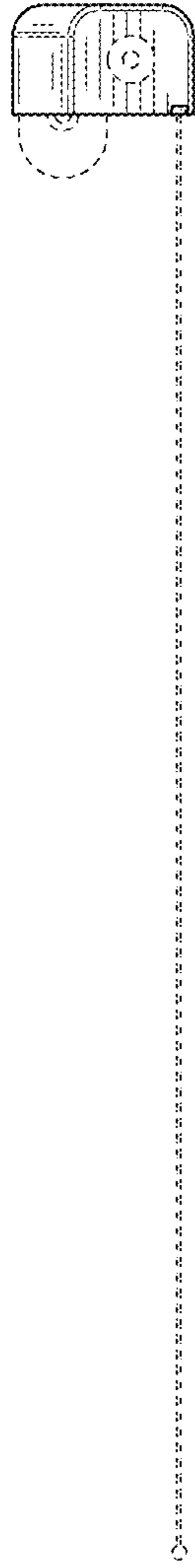


FIG. 5

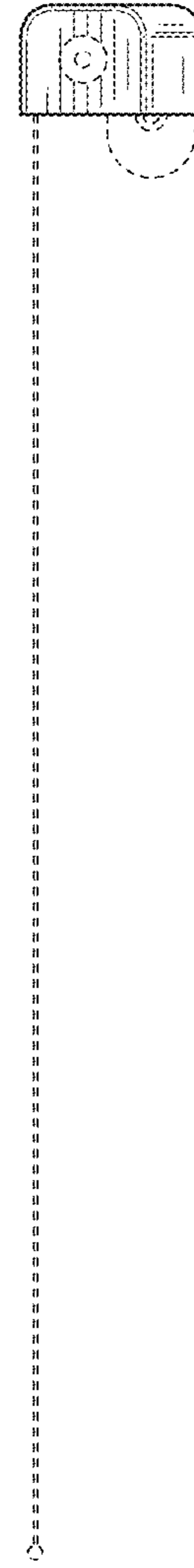


FIG. 6

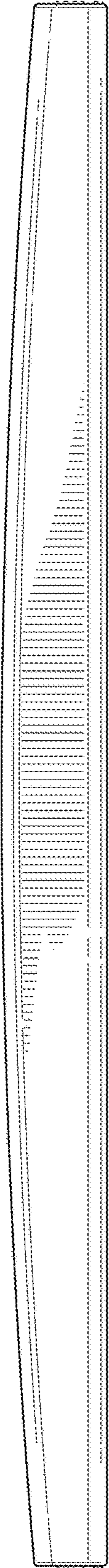


FIG. 7



FIG. 8